



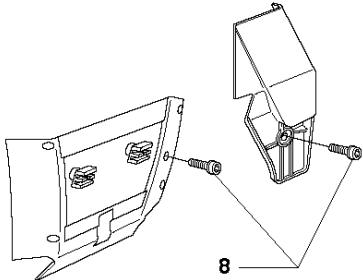
# SPARE PARTS LIST

## CHAIN SAWS

365 X-TORQ from 2016-10 -

**Q** 365 X-TORQ  
Accessories  
Zubehöre  
Accessories  
Accesorios  
Tillbehör

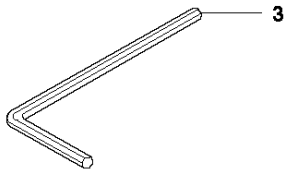
WINTER



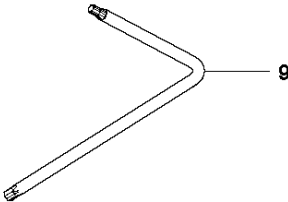
7

8

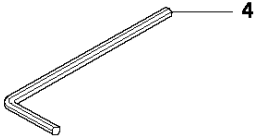
1



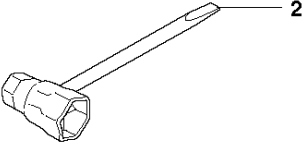
3



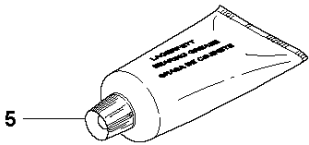
9



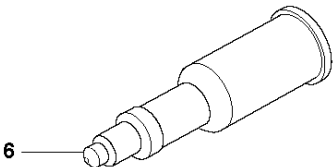
4



2



5



6

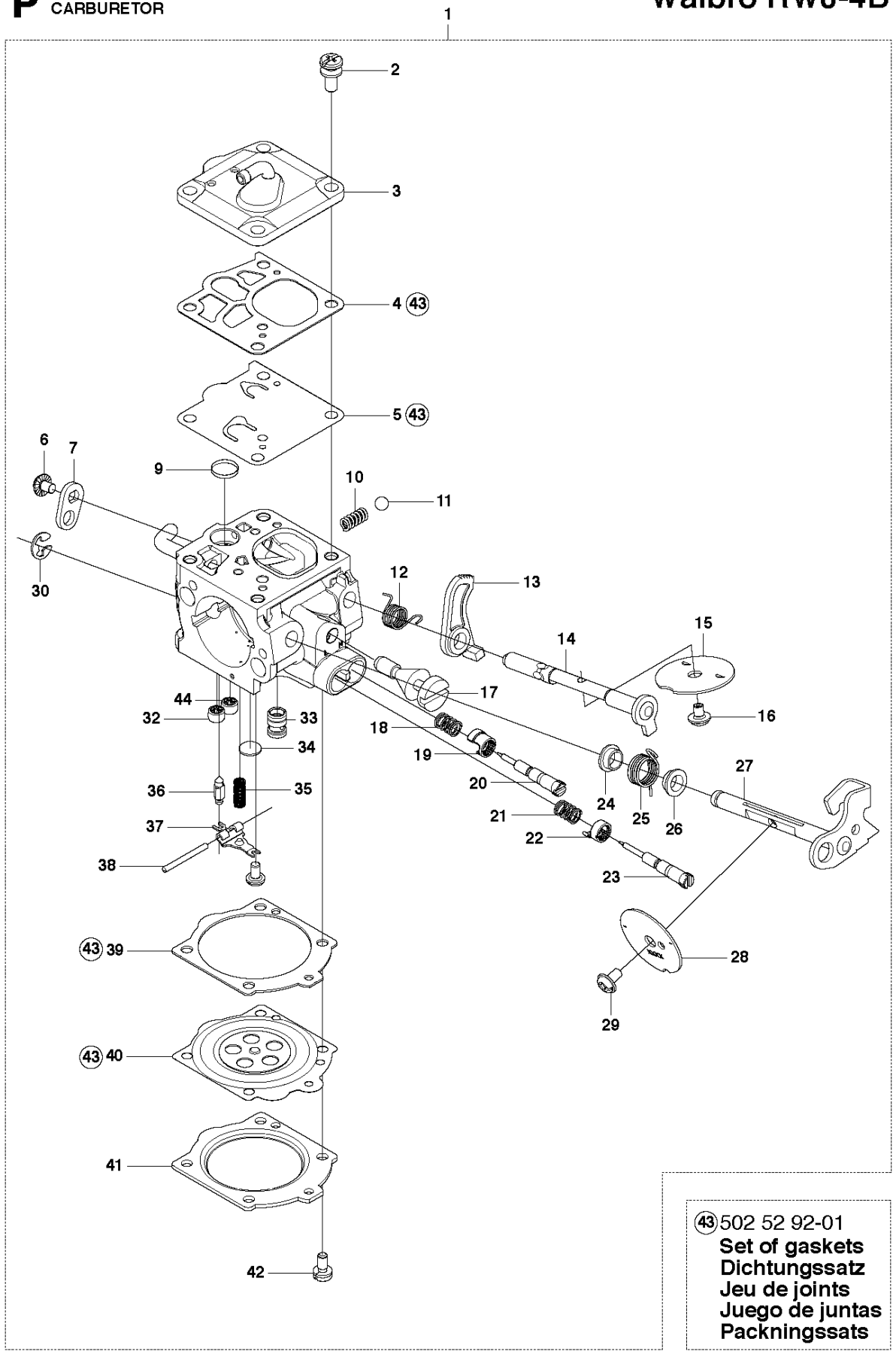
## ACCESSORIES

365 X-TORQ from 2016-10 -

Ref	Part No	Description	Remark	QTY KIT	
1	588 79 74-01	TOOL		1	
2	501 69 17-01	COMBINATION WRENCH		1	1
3	503 55 86-02	SPANNER	NV5	1	1
4	503 55 86-01	SPANNER	NV4	1	1
5	503 62 12-01	GREASE		1	
6	501 91 14-01	GREASE GUN		1	
7	503 96 90-08	KIT	WINTER	1	
8	503 21 27-16	SCREW CRPANT		1	7
9	575 88 07-01	WRENCH	TORX T27/T20	1	1

**P** 365 X-TORQ  
CARBURETOR

**Walbro RWJ-4B**

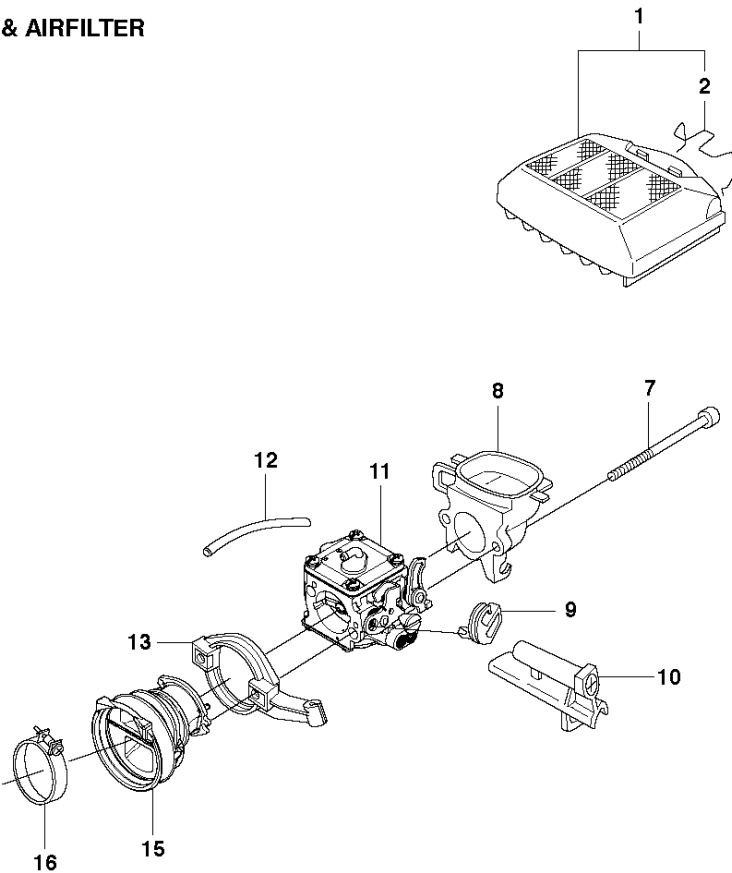


## CARBURETOR

365 X-TORQ from 2016-10 -

Ref	Part No	Description	Remark	QTY	KIT
1	581 10 07-01	CARBURETTOR	Walbro RWJ-4B	1	
2	503 11 75-01	SCREW		1	1
3	522 92 35-01	PUMP COVER		1	1
4	503 11 72-01	GASKET		1	1, 43
5	544 89 72-01	DIAPHRAGM PUMP		1	1, 43
6	501 46 87-01	SCREW		1	1
7	504 79 07-01	LEVER		1	1
9	501 66 61-01	SCREEN		1	1
10	503 11 77-01	SPRING		1	1
11	503 11 71-01	BALL		1	1
12	504 79 15-01	SPRING		1	1
13	537 40 92-01	LEVER		1	1
14	504 79 05-01	SHAFT ASSY		1	1
15	544 89 68-01	VALVE		1	1
16	537 00 34-01	SCREW		1	1
17	504 79 11-01	SCREW	s/n up to - 20131800192	1	1
17	585 18 67-01	IDLE SPEED SCREW	s/n from 20131800193 -	1	1
18	544 97 10-01	SPRING		1	1
19	544 97 08-01	LIMITER CAP		1	1
20	522 92 39-01	NEEDLE		1	1
21	544 97 10-01	SPRING		1	1
22	544 97 08-01	LIMITER CAP		1	1
23	544 97 13-01	NEEDLE		1	1
24	502 10 31-01	BUSHING		1	1
25	504 79 14-01	SPRING	s/n up to - 20131800192	1	1
25	576 13 82-01	SPRING	s/n from 20131800193 -	1	1
26	502 10 31-01	BUSHING		1	1
27	522 92 37-01	SHAFT ASSY		1	1
28	522 92 38-01	VALVE	s/n up to - 20131800192	1	1
28	577 65 79-01	VALVE	s/n from 20131800193 -	1	1
29	537 00 34-01	SCREW		1	1
30	505 31 67-36	RING		1	1
32	522 92 41-01	CHECK VALVE	s/n up to - 20131800192	1	1
32	580 64 23-01	CHECK VALVE	s/n from 20131800193 -	1	1
33	503 78 61-01	NOZZLE ASSY	s/n up to - 20131800192	1	1
33	577 69 98-01	MAIN NOZZLE	s/n from 20131800193 -	1	1
34	504 79 08-01	PLUG		1	1
35	504 79 12-01	SPRING		1	1
36	503 56 34-01	INLET		1	1
37	505 31 67-34	LEVER		1	1
38	505 31 67-31	PIN-METERING LEVER		1	1
39	501 46 75-01	GASKET		1	1, 43
40	503 63 48-01	SPRING	s/n up to - 20131800192	1	1, 43
40	503 63 58-01	DIAPHRAGM ASSY	s/n from 20131800193 -	1	1, 43
41	505 31 67-02	COVER		1	1
42	503 10 87-01	SCREW		1	1
43	502 52 92-01	GASKET KIT	Set of gaskets	1	
44	577 69 97-01	CHECK VALVE		1	1

**F** 365 X-TORQ  
CARBURETOR & AIRFILTER

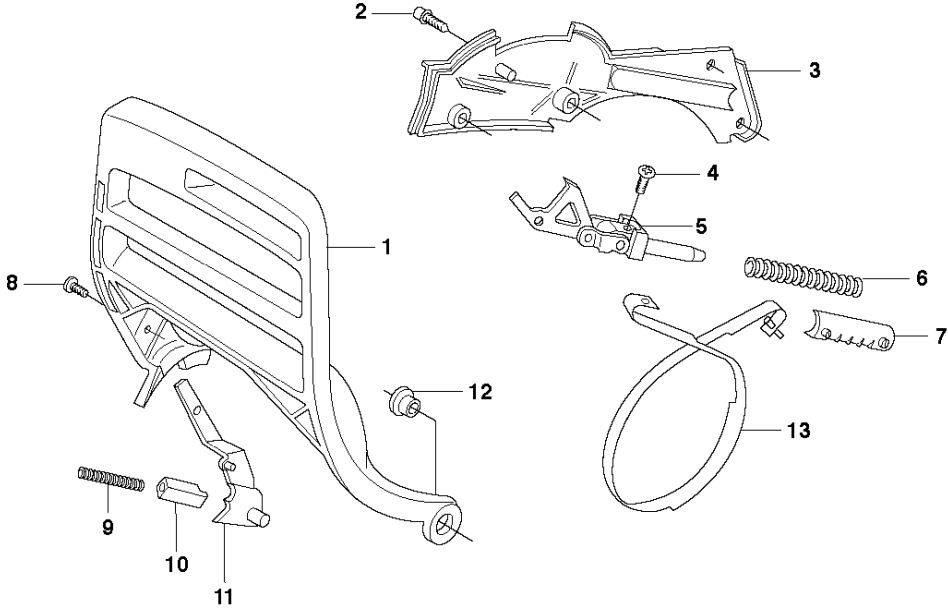


## CARBURETOR &amp; AIR FILTER

365 X-TORQ from 2016-10 -

Ref	Part No	Description	Remark	QTY	KIT
1	575 26 91-01	AIR FILTER ASSY	80 My	1	
1	575 26 91-02	AIR FILTER ASSY	44 My	1	
1	575 26 91-03	AIR FILTER ASSY	Felt	1	
2	503 73 54-01	CLAMP		1	1
7	725 53 09-55	SCREW IHSCM		2	
8	515 98 29-01	FILTER HOLDER		1	
9	503 68 41-01	LEVER		1	
10	522 41 88-01	GUIDE SLEEVE		1	
11	581 10 07-01	CARBURETTOR	Walbro RWJ-4B	1	
12	503 40 06-04	IMPULSE HOSE		1	
13	522 44 62-01	FLANGE		1	
15	521 99 25-04	INLET PIPE	For cold conditions	1	
15	521 99 25-03	INLET PIPE		1	
16	505 28 33-07	HOSE CLAMP		1	

**L** 365 X-TORQ  
CHAIN BRAKE



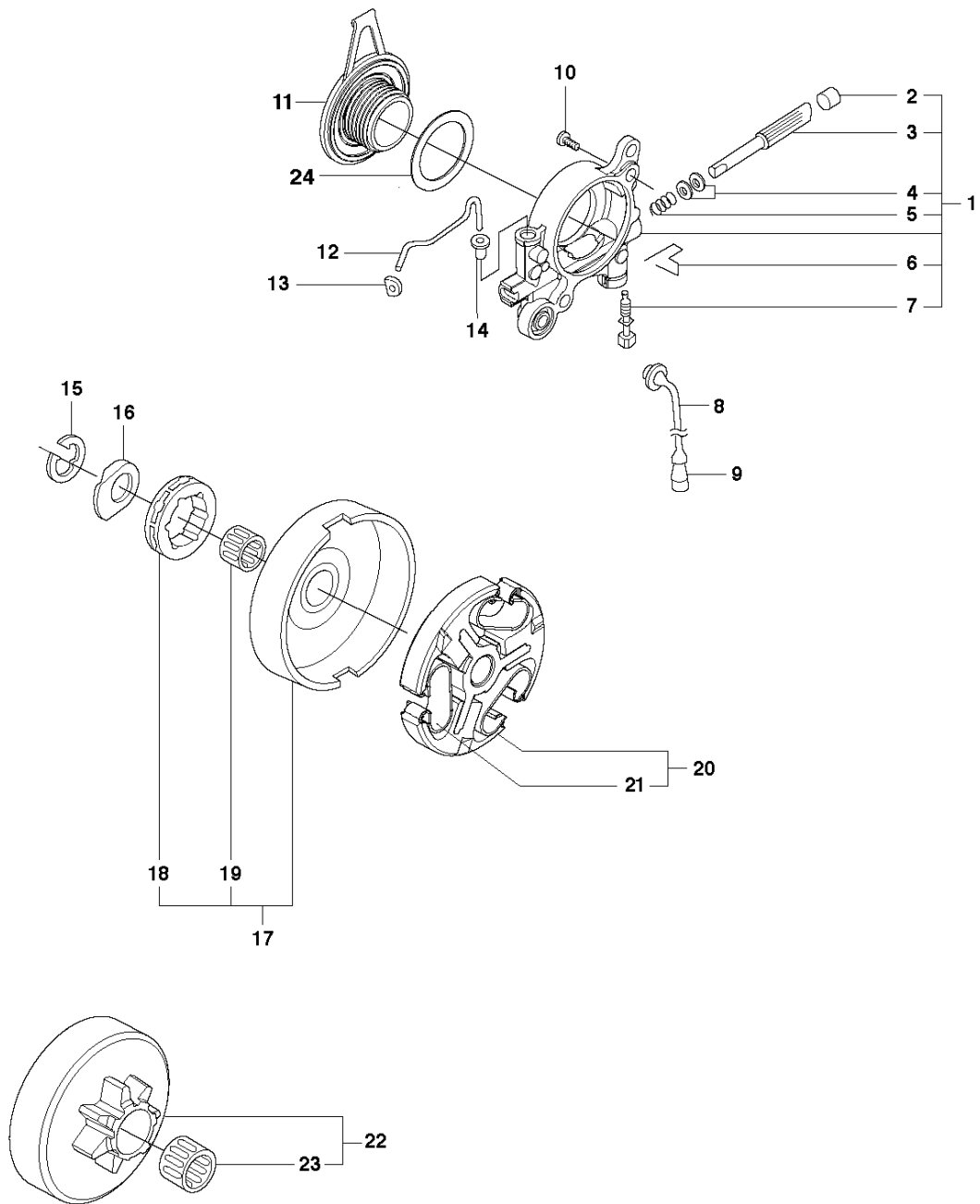


## CHAIN BRAKE

365 X-TORQ from 2016-10 -

Ref	Part No	Description	Remark	QTY KIT
1	515 98 09-01	HAND GUARD		1
2	503 20 02-12	SCREW IHSCFM		4
3	503 75 11-03	HUB CAP		1
4	503 21 28-10	SCREW CCRPANT		1
5	501 87 53-03	KNEE JOINT		1
6	503 70 99-01	BRAKE SPRING		1
7	503 79 27-02	SUPPORT		1
8	503 20 26-02	SCREW IHSCM		1
9	503 43 65-01	POSITION SPRING		1
10	503 83 81-02	LOCK		1
11	537 00 87-01	BRAKE LEVER		1
12	503 77 52-01	BUSHING		1
13	503 75 22-02	BRAKE BAND ASSY		1

**B** 365 X-TORQ  
CLUTCH & OIL PUMP

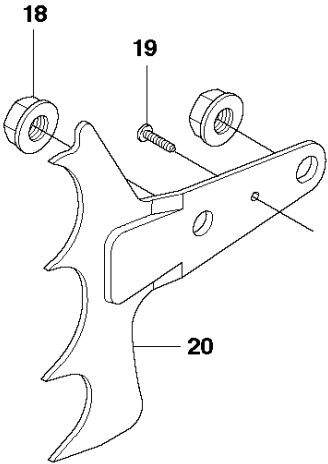
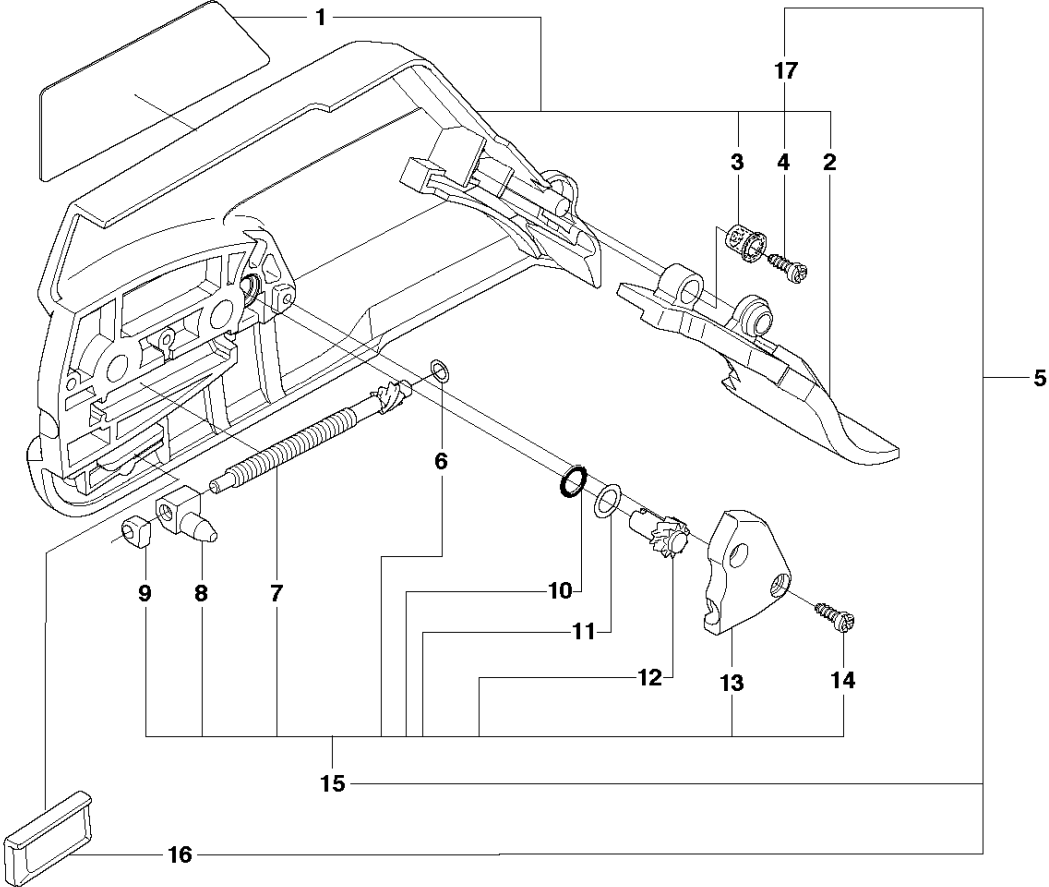


## CLUTCH &amp; OIL PUMP

365 X-TORQ from 2016-10 -

Ref	Part No	Description	Remark	QTY	KIT
1	503 52 13-03	OIL PUMP ASSY		1	
2	503 62 49-01	SEALING PLUG		1	1
3	503 52 15-01	PUMP PISTON		1	1
4	503 23 00-04	WASHER		1	1
5	501 61 58-01	SPRING		1	1
6	503 81 30-01	SPRING		1	1
7	503 81 13-01	PIN SCREW		1	1
8	503 42 67-01	OIL HOSE		1	
9	501 54 41-02	OIL SCREEN		1	
10	725 53 29-56	SCREW IHSCM		1	
11	537 20 78-07	PUMP PINION		1	
12	503 77 43-01	OIL PIPE		1	
13	503 64 47-01	INLET PIPE		1	
14	504 30 00-26	SEALING		1	
15	503 27 21-01	E-CLIP		1	
16	503 75 24-01	WASHER		1	
17	586 98 06-01	CLUTCH DRUM ASSY	"3/8"x7T"	1	
17	586 98 06-02	CLUTCH DRUM ASSY	"3/8"x8T"	1	
18	501 59 80-02	RIM	"3/8"x7T"	1	17
18	505 30 36-61	RIM	"3/8"x8T"	1	17
19	503 43 20-01	NEEDLE HOLDER		1	17
20	586 79 84-01	CLUTCH ASSY		1	
21	537 36 06-01	CLUTCH SPRING		1	20
22	503 86 17-03	CLUTCH DRUM	"3/8"x8T"	1	
23	503 43 20-01	NEEDLE HOLDER		1	22
24	503 23 00-59	WASHER		1	

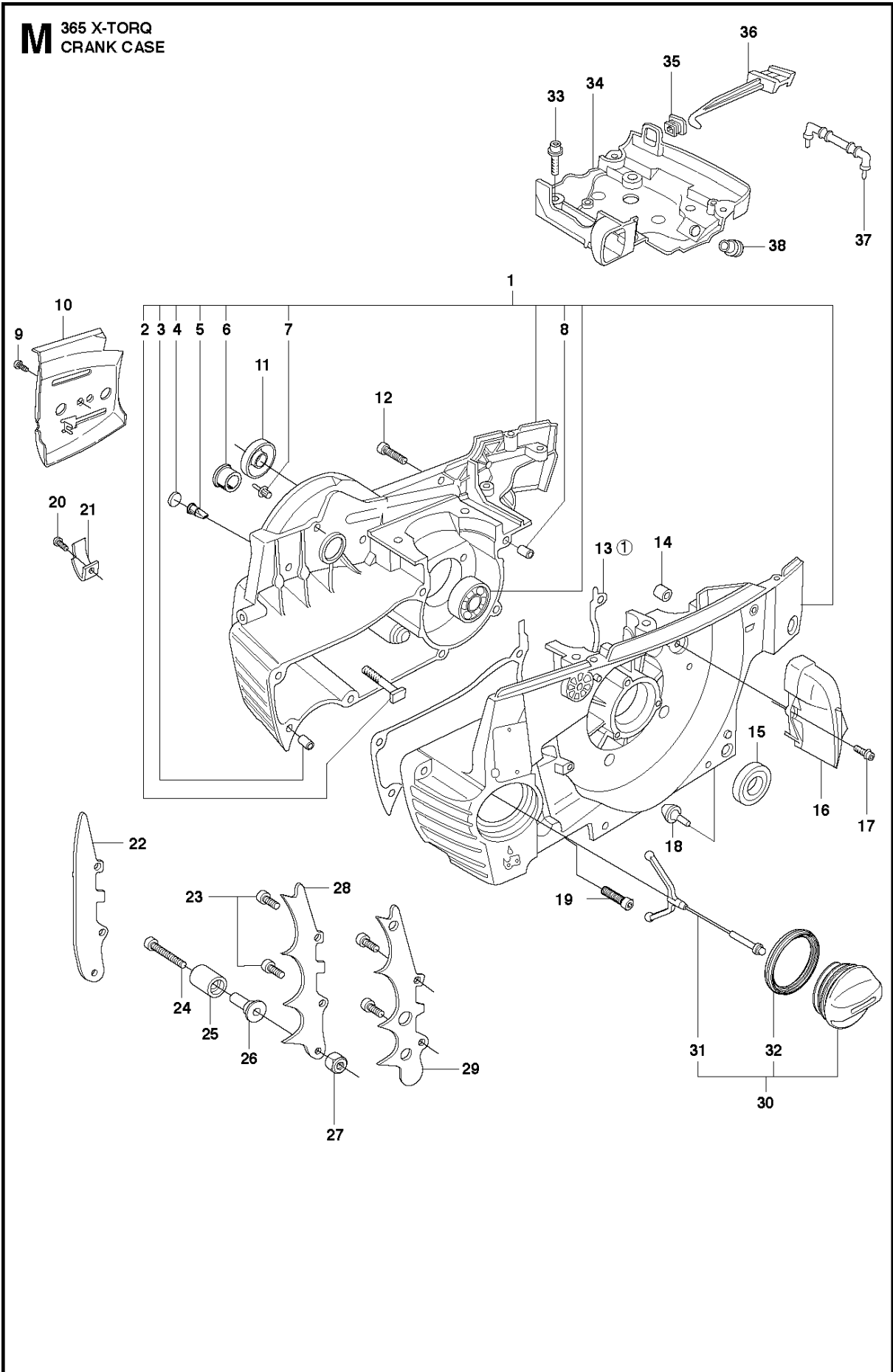
**A** 365 X-TORQ  
CLUTCH COVER



## CLUTCH COVER

365 X-TORQ from 2016-10 -

Ref	Part No	Description	Remark	QTY	KIT
1	537 03 38-03	LABEL		1	5, 17
2	503 76 29-02	CHIP GUARD		1	5, 17
3	503 89 70-01	SLEEVE		1	5, 17
4	503 21 28-10	SCREW CCRPANT		1	5, 17
5	537 03 35-01	CLUTCH COVER ASSY		1	
6	503 23 00-66	WASHER		1	5,15
7	537 07 95-02	WORM SCREW		1	5,15
8	503 99 83-01	PAWL		1	5,15
9	537 01 74-01	BEARING SLEEVE		1	5,15
10	740 48 07-02	O-RING		1	5,15
11	503 23 00-63	WASHER		1	5,15
12	537 07 94-02	WORM WHEEL		1	5,15
13	537 01 68-01	COVER		1	5,15
14	503 21 28-10	SCREW CCRPANT		2	5,15
15	537 04 41-02	CHAIN TENSIONER		1	5
16	501 51 72-01	CHAIN GUIDE		1	5
17	537 03 35-71	CLUTCH COVER ASSY		1	5
18	503 22 00-01	HEXAGON NUT		2	
19	503 21 28-10	SCREW CCRPANT		1	
20	503 71 97-01	SPIKE		1	

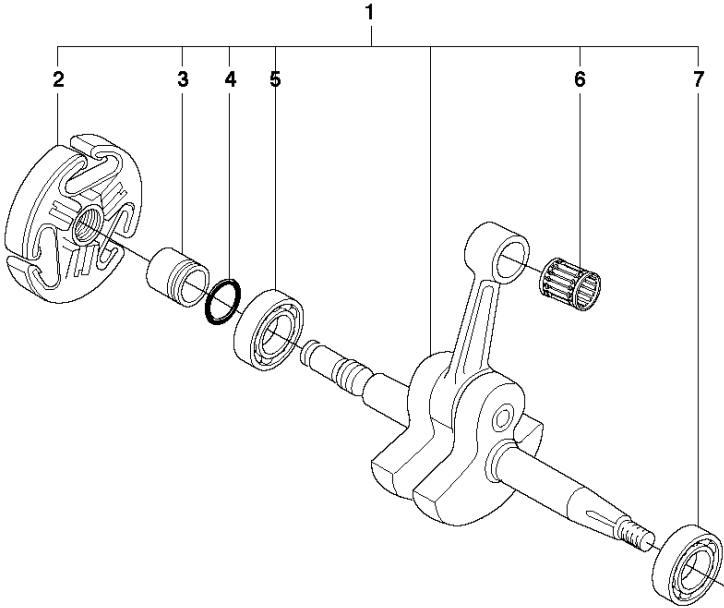


## CRANKCASE

365 X-TORQ from 2016-10 -

Ref	Part No	Description	Remark	QTY	KIT
1	503 62 68-13	CRANKCASE ASSY		1	
2	537 05 13-01	BAR BOLT		1	1
3	501 27 08-01	GUIDE BUSHING		1	1
4	530 02 61-19	CHECK VALVE		1	1
5	537 40 35-01	FILTER		1	1
6	503 96 70-01	BUSHING		1	1
7	503 75 18-01	PIN KNEE-JOINT		1	1
8	501 27 08-01	GUIDE BUSHING		1	1
9	503 21 28-10	SCREW CCRPANT		1	
10	537 01 37-01	CHAIN GUIDE PLATE		1	
11	503 26 03-01	SEALING RING		1	
12	503 74 93-01	SCREW		1	
13	503 62 72-01	GASKET		1	
14	503 85 73-01	COVER		1	
15	505 27 57-19	SEALING RING		1	
16	503 62 84-01	AIR NOZZLE		1	
17	503 20 02-12	SCREW IHSCFM		1	
18	503 84 61-01	BUFFER		1	
19	503 20 08-70	SCREW IHSCM		1	
20	725 53 31-65	SCREW IHSCM		1	
21	501 68 68-01	CHAIN CATCHER		1	
22	537 04 29-01	BUMPER		1	
23	503 21 26-16	SCREW IHPANM		1	
24	503 20 07-80	SCREW IHSCFM		1	
25	537 02 44-01	WEAR PROTECTION		1	
26	537 08 92-01	CHAIN CATCHER		1	
27	503 22 24-01	LOCK NUT		1	
28	537 01 71-01	SPIKE		1	
29	503 64 79-02	SPIKE		1	
30	537 21 52-07	TANK CAP ASSY		1	
31	503 57 89-01	HOLDER		1	30
32	589 24 11-01	GASKET		1	30
33	503 20 02-12	SCREW IHSCFM		4	
34	588 09 37-01	CARBURETTOR AREA BASE		1	
35	503 73 44-01	GROMMET		1	
36	515 98 22-01	CHOKE		1	
37	579 46 89-01	SUPPORT		1	
38	537 09 54-01	GROMMET		1	

**N** 365 X-TORQ  
CRANK SHAFT



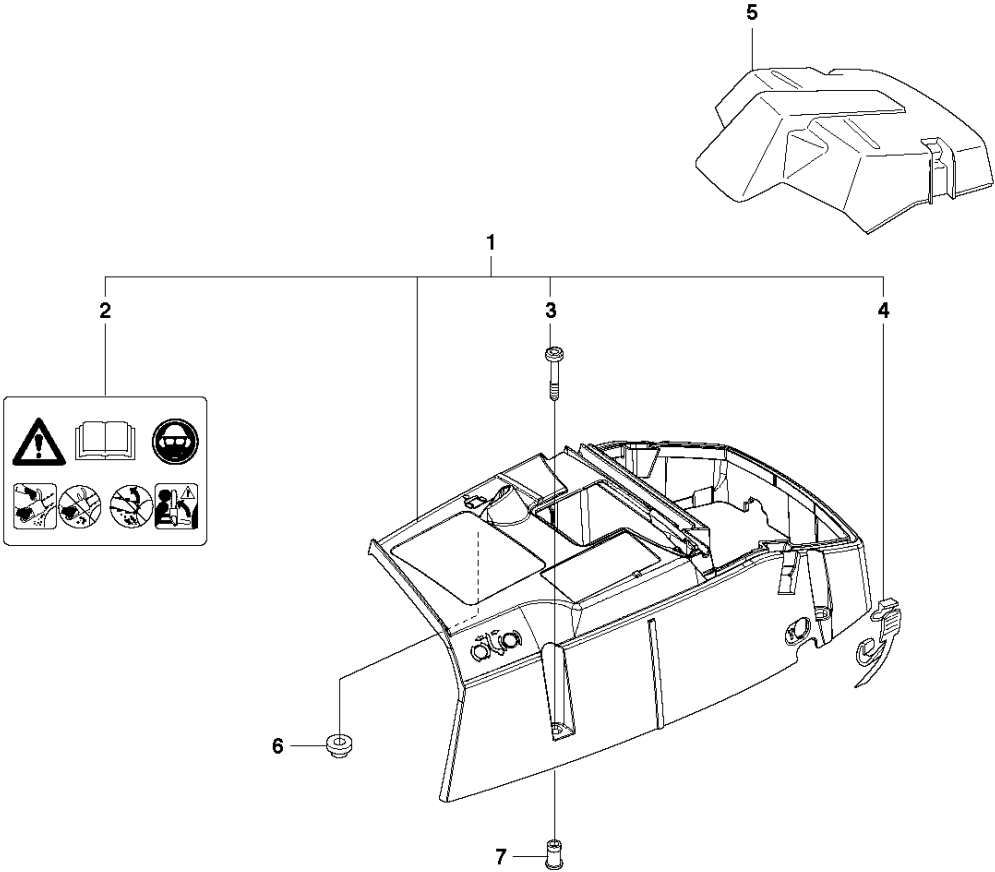


## CRANKSHAFT

365 X-TORQ from 2016-10 -

Ref	Part No	Description	Remark	QTY	KIT
1	503 74 87-04	CRANKSHAFT ASSY		1	
2	586 79 84-01	CLUTCH ASSY		1	1
3	503 77 91-01	SLEEVE		1	1
4	503 26 30-19	O-RING		1	1
5	585 97 50-01	BALL BEARING		1	1
6	577 57 24-01	NEEDLE BEARING		1	1
7	585 97 50-01	BALL BEARING		1	1

**E** 365 X-TORQ  
CYLINDER COVER

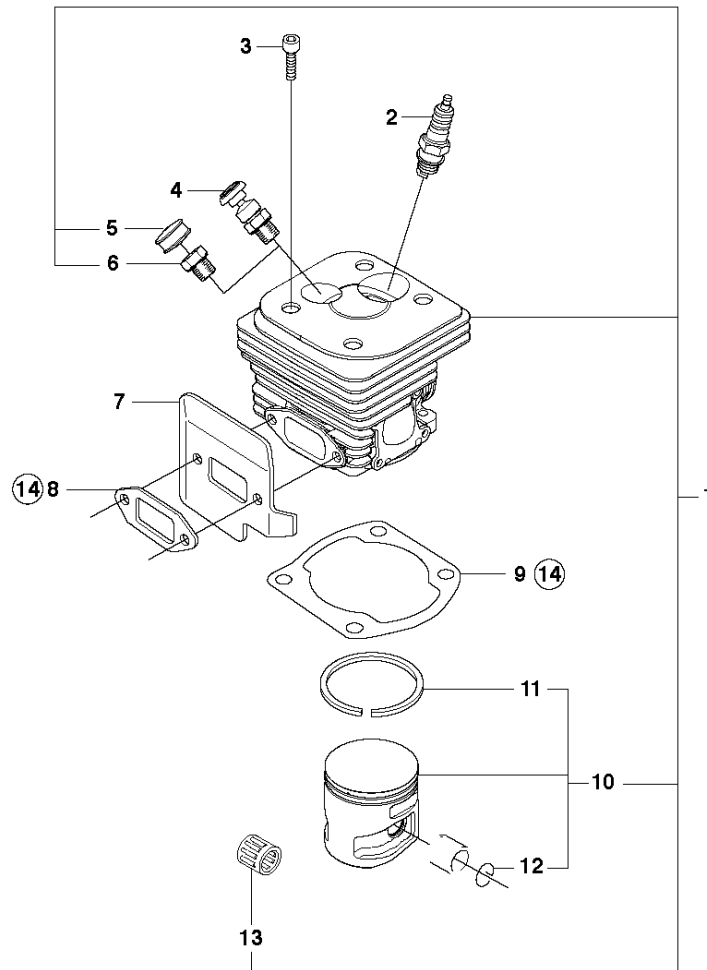


CYLINDER COVER

365 X-TORQ from 2016-10 -

Ref	Part No	Description	Remark	QTY KIT	
1	575 25 59-02	CYLINDER COVER ASSY		1	
2	503 98 74-01	LABEL		1	1
3	525 88 70-01	SCREW CITXPANMO		3	1
4	503 74 01-02	SNAP		2	1
5	503 62 80-01	FILTER COVER		1	
6	537 01 65-01	SUPPORT		1	
7	537 05 59-03	SLEEVE		3	1

**H** 365 X-TORQ  
CYLINDER PISTON

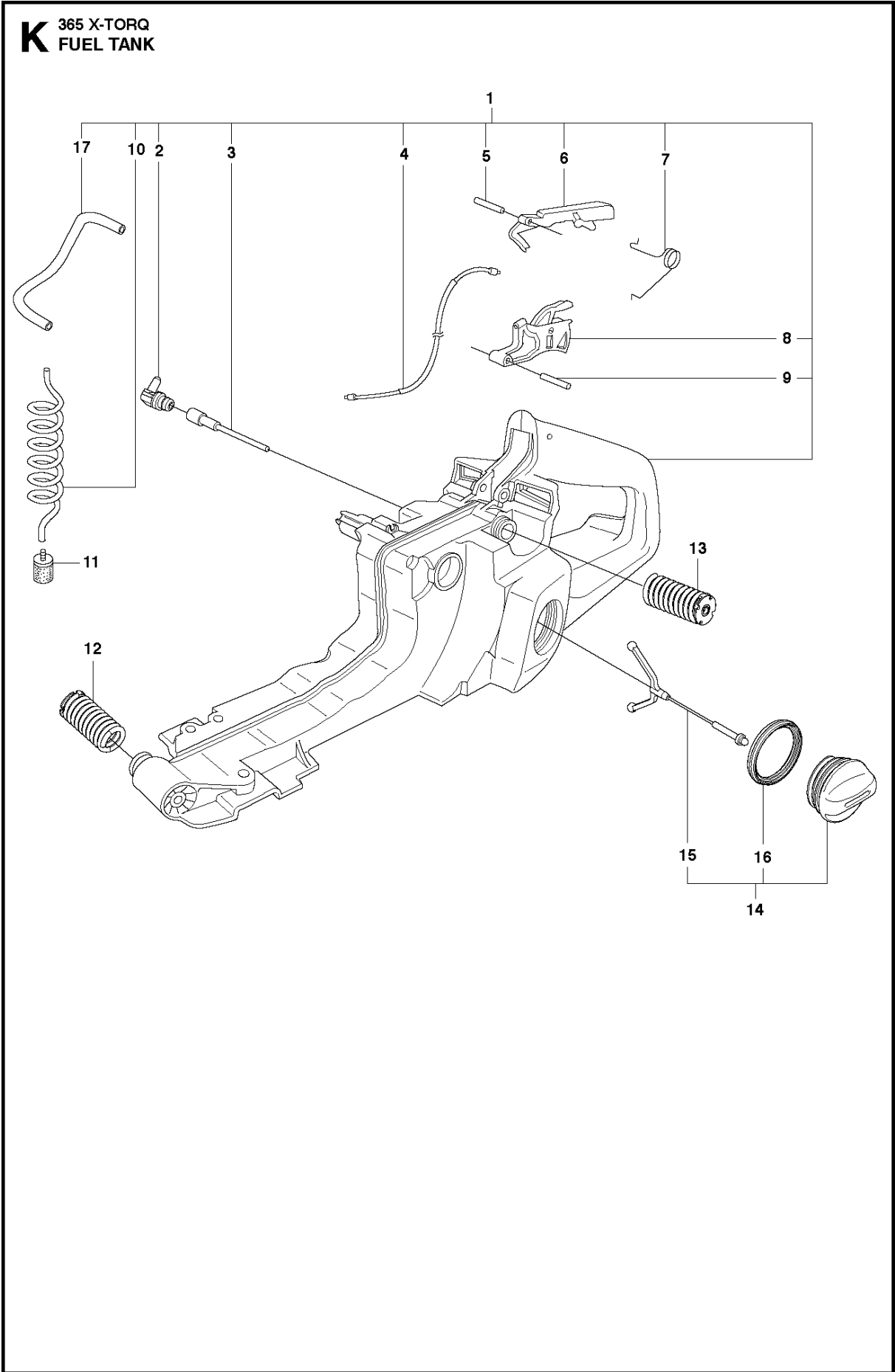


⑭ 503 64 72-01  
**Set of gaskets**  
**Dichtungssatz**  
**Jeu de joints**  
**Juego de juntas**  
**Packningssats**

## CYLINDER PISTON

365 X-TORQ from 2016-10 -

Ref	Part No	Description	Remark	QTY KIT	
1	575 77 41-02	CYLINDER ASSY		1	
2	503 23 51-11	SPARK PLUG	BPMR7A	1	
3	725 53 33-55	SCREW IHSCM		4	
4	584 28 87-01	DECOMPRESSION VALVE		1	
5	537 20 71-01	PLUG		1	1
6	503 55 22-01	PLUG		1	1
7	523 04 91-01	HEAT DEFLECTOR		1	
8	503 77 59-01	GASKET		1	14
9	503 96 15-01	GASKET		1	14
10	577 20 77-02	PISTON ASSY		1	1
11	576 81 84-01	PISTON RING		2	1, 10
12	737 43 12-00	SNAP RING		2	1, 10
13	577 57 24-01	NEEDLE BEARING		1	
14	503 64 72-01	GASKET KIT	Set of gaskets	1	1

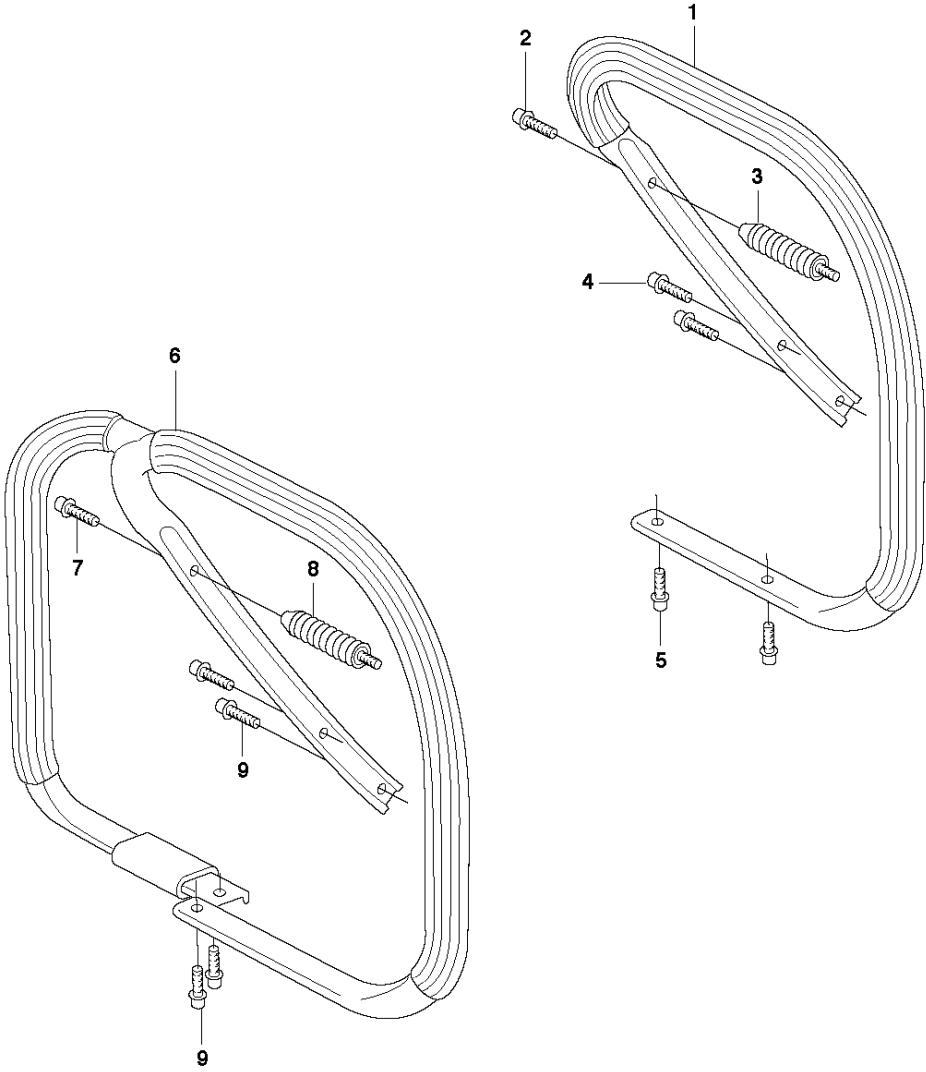


## FUEL TANK

365 X-TORQ from 2016-10 -

Ref	Part No	Description	Remark	QTY	KIT
1	544 11 40-07	FUEL TANK		1	
2	537 09 93-01	CONNECTION BEND		1	1
3	537 09 22-01	TANK VENT ASSY		1	1
4	503 71 76-01	THROTTLE WIRE ASSY		1	1
5	720 12 40-20	PARALLEL PIN		1	1
6	503 55 66-01	THROTTLE LOCKOUT		1	1
7	503 73 64-01	SPRING		1	1
8	503 82 98-01	TRIGGER		1	1
9	720 12 72-20	PARALLEL PIN		1	
10	581 75 62-02	FUEL HOSE		1	1
11	503 44 32-01	FILTER		1	
12	503 63 76-01	ANTIVIBRATION ELEMENT	Std	1	
12	503 63 76-02	ANTIVIBRATION ELEMENT	Hard	1	
13	503 89 56-01	ANTIVIBRATION ELEMENT	Std	1	
13	503 89 56-02	ANTIVIBRATION ELEMENT	Hard	1	
14	537 21 52-07	TANK CAP ASSY		1	
15	503 57 89-01	HOLDER		1	14
16	589 24 11-01	GASKET		1	14
17	581 75 61-06	FUEL HOSE		1	1

**J** 365 X-TORQ  
HANDLE



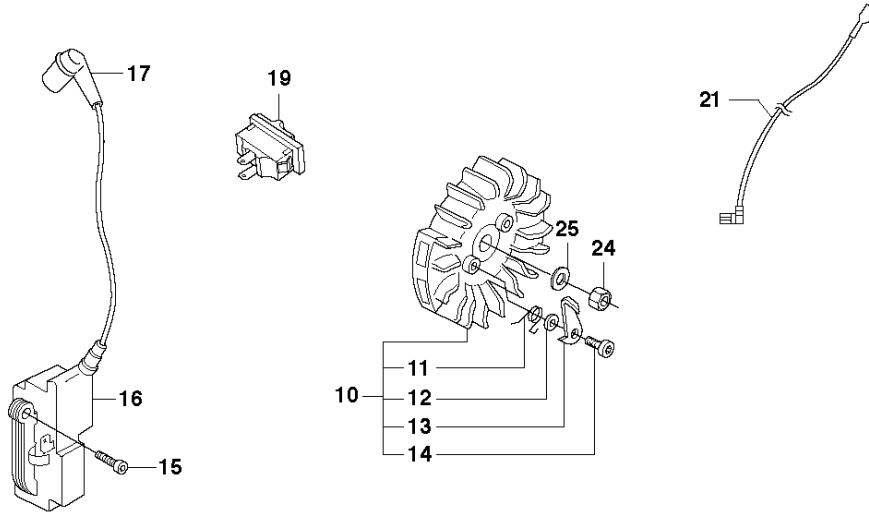


## HANDLE

365 X-TORQ from 2016-10 -

Ref	Part No	Description	Remark	QTY	KIT
1	522 42 88-01	FRONT HANDLE ASSY		1	
2	503 21 05-22	SCREW IHSCFT		1	
3	503 63 75-02	ANTIVIBRATION ELEMENT	STD	1	
3	503 63 75-03	ANTIVIBRATION ELEMENT	HARD	1	
4	503 21 49-72	SCREW IHSCFT		2	
5	503 21 49-72	SCREW IHSCFT		2	
6	522 59 32-01	FRONT HANDLE ASSY	WRAP	1	
7	503 21 05-22	SCREW IHSCFT		1	
8	503 63 75-02	ANTIVIBRATION ELEMENT		1	
9	503 21 49-72	SCREW IHSCFT		5	10

**D** 365 X-TORQ  
IGNITION SYSTEM

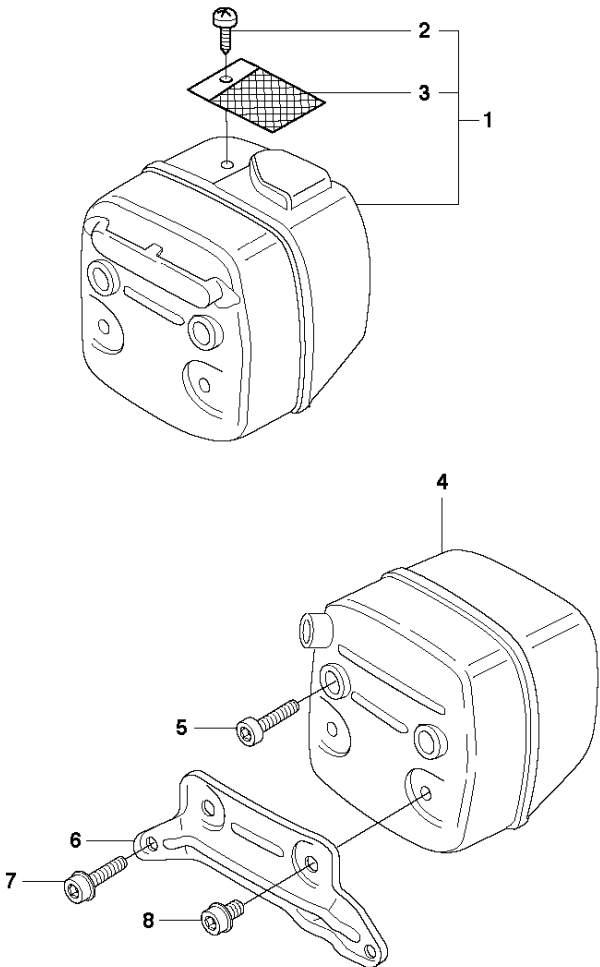


## IGNITION SYSTEM

365 X-TORQ from 2016-10 -

Ref	Part No	Description	Remark	QTY	KIT
10	537 05 16-05	FLYWHEEL ASSY		1	
11	501 67 35-01	SPRING		1	10
12	503 23 00-42	WASHER		1	10
13	537 01 55-01	STARTER PAWL		1	10
14	501 81 99-01	SCREW		1	10
15	586 28 93-01	SCREW IHSCM		2	
16	588 93 74-03	IGNITION MODULE	DM51 COT	1	
17	501 48 54-02	SPARK PLUG CAP		1	
19	503 71 82-01	SWITCH		1	
21	503 62 61-01	CABLE		1	
24	503 22 10-11	HEXAGON NUT		2	
25	503 23 01-01	WASHER		1	

**G** 365 X-TORQ  
MUFFLER

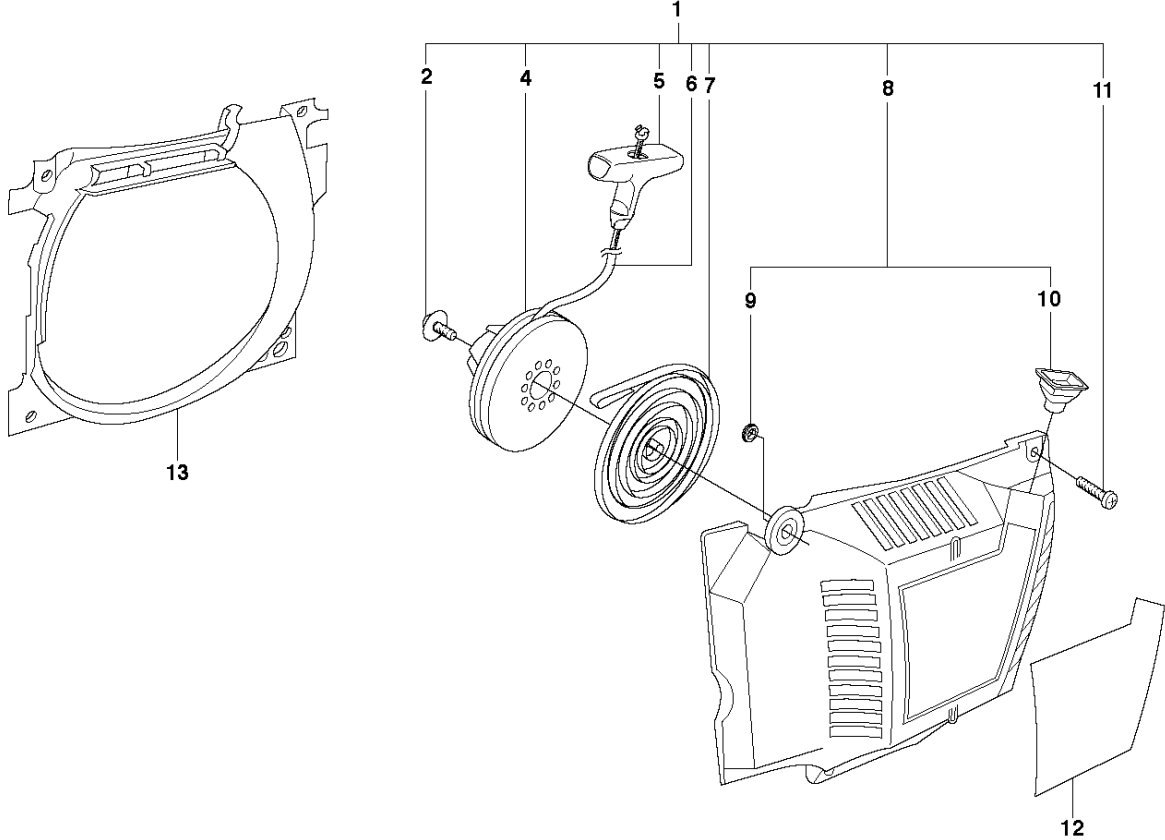


## MUFFLER

365 X-TORQ from 2016-10 -

Ref	Part No	Description	Remark	QTY	KIT
1	544 02 97-02	MUFFLER ASSY	DF	1	
2	724 12 87-59	SCREW CRPANM		1	1
3	503 76 64-02	SPARK ARRESTER SCREEN		1	1
4	544 02 95-01	MUFFLER ASSY	Tube	1	
5	725 53 70-55	SCREW IHSCM		2	
6	579 02 59-01	SUPPORT		1	
7	503 20 07-74	SCREW IHSCFM		2	
8	503 20 07-02	SCREW IHSCFM		2	

**C** 365 X-TORQ  
STARTER



## STARTER

365 X-TORQ from 2016-10 -

Ref	Part No	Description	Remark	QTY KIT	
1	503 62 81-71	STARTER ASSY		1	
2	503 21 52-16	SCREW IHSCFT		1	1
4	503 85 96-01	STARTER PULLEY		1	1
5	522 03 73-01	STARTER HANDLE		1	1
6	503 43 29-02	STARTER CORD		1	1
7	537 28 36-02	RECOIL SPRING		1	1
8	503 62 82-02	STARTER HOUSING		1	1
9	537 08 67-01	BUSHING		1	1, 8
10	501 63 06-01	SLEEVE		1	1, 8
11	544 08 03-01	SCREW		4	1
12	537 23 02-14	LABEL		1	
13	503 62 83-01	AIR CONDUCTOR		1	

# Illustrated Parts List - IPL Update



Product Name(s)

**365 X-TORQ**

Description of change

1. New Ignition module. New start curve. This update together with the new decompression valve improve startability of hot product and/or avoid misfire
2. New decompression valve to cylinder. Hole Ø1mm was Ø1.2mm
3. New tank cap and gasket. Reason is new supplier

Comments

Fully interchangeable  
To improve startability of hot product and/or avoid misfire we recommend changing both ignition module and the decompression valve.

Introduced from

Serial number / Date	Remark
20163500769 -	Ignition module 588 93 74-03
20163500769 -	Decompression valve 584 28 87-01
20163200001 -	Tank cap assy 537 21 52-07
20163200001 -	Gasket, tank cap 589 24 11-01

IPL updates

Page Title	Ref. No	New part no	Name	Excl. part no.	Remark
Ignition system	16	588 93 74-03	Ignition module	586 88 03-03	
Cylinder piston	4	584 28 87-01	Decompression valve	537 29 44-01	
Fuel tank	14	537 21 52-07	Tank cap assy	537 21 52-02	
	16	589 24 11-01	Gasket, tank cap	537 21 50-01	
Crank case	30	537 21 52-07	Tank cap assy	537 21 52-02	
	32	589 24 11-01	Gasket, tank cap	537 21 50-01	

## 1. Ignition module



588 93 74-03



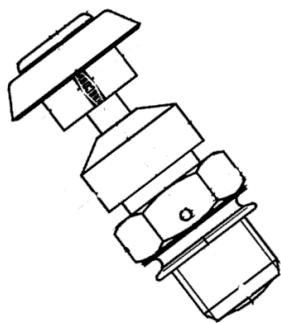
586 88 03-03



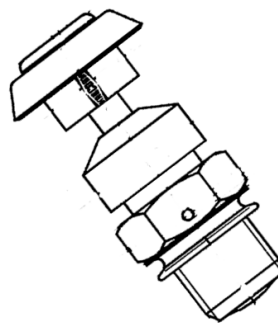
# Illustrated Parts List - IPL Update



## 2. Decompression valve

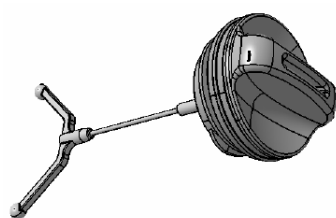


584 28 87-01

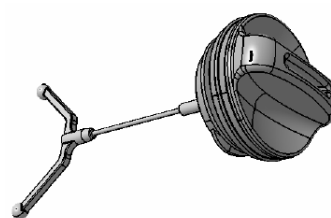


537 29 44-01

## 3. Tank cap assy



537 21 52-07



537 21 52-02

## 4. Gasket, tank cap



589 24 11-01



537 21 50-01