

ILLUSTRATED PARTS LIST

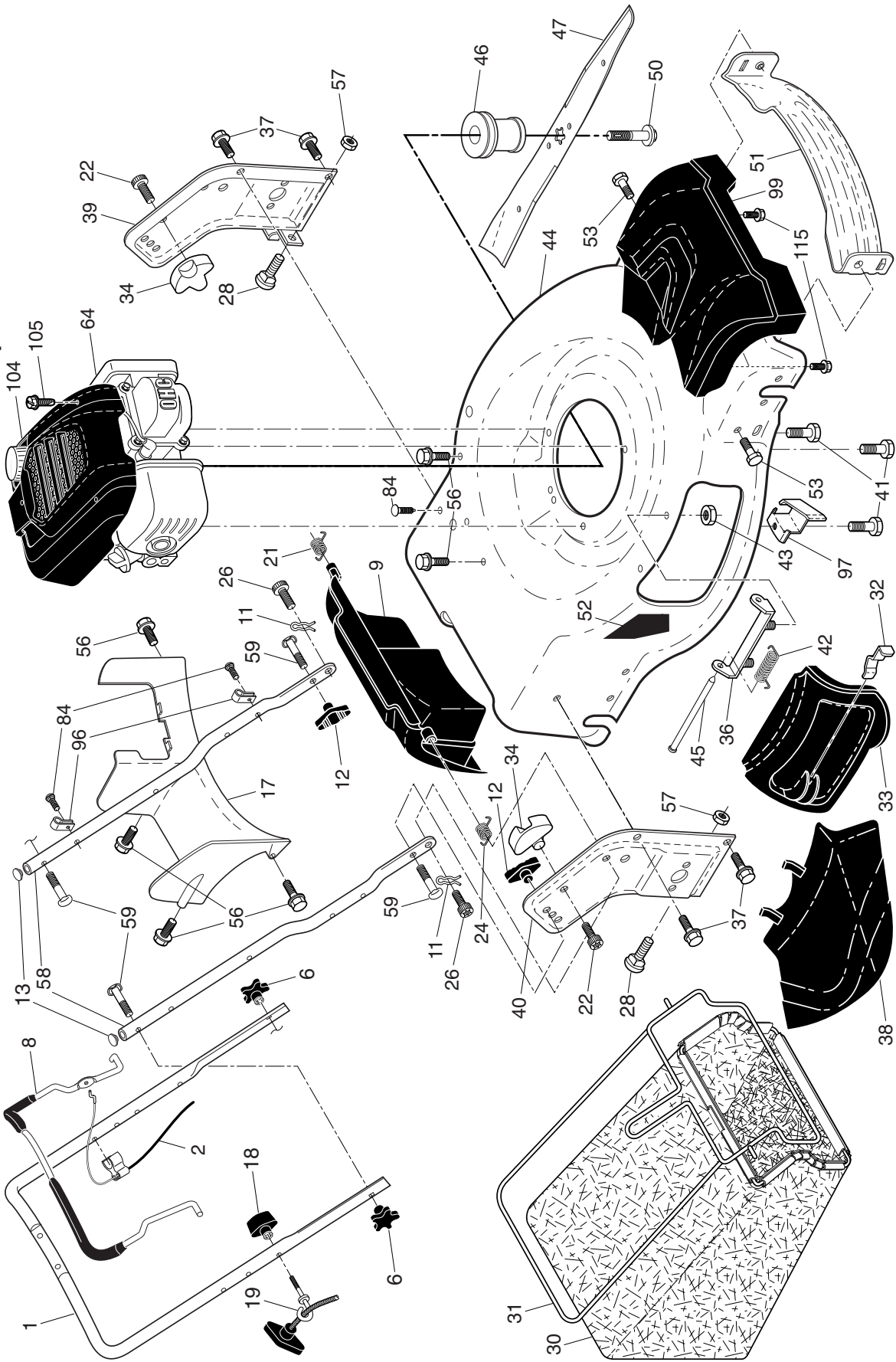


ROTARY LAWN MOWER

MODEL NUMBER: LC 356V

MFG. ID. NUMBER: 96141029104

HUSQVARNA ROTARY LAWN MOWER - - MODEL NUMBER LC 356V (MFG. ID. NO. 96141029104)

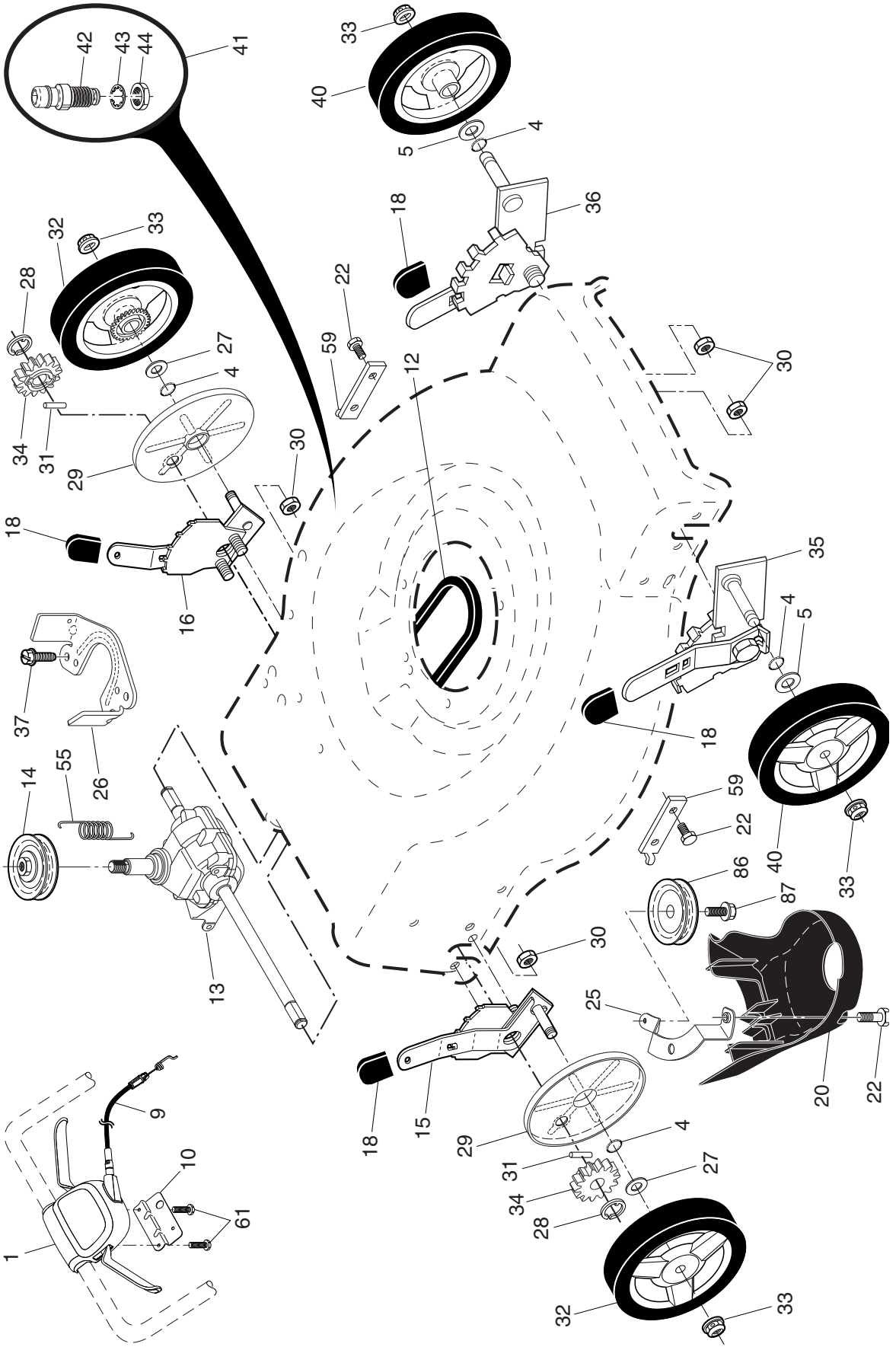


HUSQVARNA ROTARY LAWN MOWER - - MODEL NUMBER LC 356V (MFG. ID. NO. 96141029104)

KEY NO.	PART NO.	DESCRIPTION	KEY NO.	PART NO.	DESCRIPTION	KEY NO.	PART NO.	DESCRIPTION
1	585 85 48-06	Upper Handle Assembly	37	817 00 05-10	Screw, Hex Head 1/4-20	64	- - -	Engine, Honda, Model No. GCV160-AOS3DB
2	532 42 49-83	Cable, Engine Zone Control	38	532 42 61-29	Discharge Deflector			(Order parts from Honda)
6	532 18 23-98	Handle Knob, Star	39	585 90 07-03	Handle Bracket, LH	84	532 42 81-24	Fastener, Push
8	587 68 93-02	Control Bar	40	585 90 08-03	Handle Bracket, RH	96	532 19 79-91	Clip, Cable
9	532 43 13-91	Rear Door Assembly	41	532 15 04-06	Screw, Dogpoint 3/8-16 x 1-1/8	97	581 11 53-02	Belt Keeper
11	532 42 55-75	Hairpin, Door/Handle Pivot	42	532 19 30-00	Spring, Torsion	99	585 66 87-02	Front Shroud Assembly
12	532 19 19-38	Handle Knob, Standard	43	532 43 81-30	Nut, Hex, Nylock	104	580 29 00-01	Engine Shroud
13	532 43 75-16	Plug, Lower Handle Bar	44	581 70 83-27	Kit, Lawn Mower Housing	105	580 76 87-01	Mounting Screw,
17	581 78 21-01	Rear Baffle	45	532 17 56-50	Rod, Hinge			Engine Shroud
18	581 91 26-01	T-Knob	46	581 85 15-01	Blade Adapter / Pulley	115	584 29 94-01	Screw
19	581 90 21-01	Rope Guide	47	580 24 40-01	Blade, 22"	--	532 42 38-49	Bag of Parts (Includes Key Numbers 12 and 59)
21	532 41 99-49	Spring, Rear Door, LH, Black	50	532 43 53-45	Screw, Machine, Flanged	--	115 62 66-20	Operator's Manual, European
22	532 14 18-41	Screw, Panhead, Torx #20			Hex Head, with Nylon Patch, Grade 8, 3/8-24 x 1-1/8			Operator's Manual, Scandinavian
24	532 41 99-48	Spring, Rear Door, RH, Grey			Front Baffle			Operator's Manual, East Bloc
26	532 41 99-45	Screw, Rear Door / Handle Pivot	51	532 43 05-99	Decal, Danger			Operator's Manual, Baltic
28	586 21 25-01	Bolt, Carriage 5/16-18 x 5/8	52	532 18 21-66	Screw			Operator's Manual, Ukrainian / Turkish
30	580 94 34-05	Grassbag	53	817 00 05-10	Screw, Hex Washer Head #13 x 3/4			
31	585 05 47-02	Frame, Grass Catcher	56	817 41 13-12	Nut, Hex			
32	532 44 11-92	Latch, Mulcher Door	57	532 15 53-77	Lower Handle			
33	532 41 99-27	Mulcher Door	58	585 90 82-03	Handle Bolt			
34	532 43 81-34	Pivot Bracket	59	532 19 15-74				
36	532 17 57-35	Hinge Bracket Assembly						

NOTE: All component dimensions given in U.S. inches. 1 inch = 25.4 mm. **IMPORTANT:** Use only Original Equipment Manufacturer (O.E.M.) replacement parts. Failure to do so could be hazardous, damage your lawn mower and void your warranty.

HUSQVARNA ROTARY LAWN MOWER -- MODEL NUMBER LC 356V (MFG. ID. NO. 96141029104)



HUSQVARNA ROTARY LAWN MOWER - - MODEL NUMBER LC 356V (MFG. ID. NO. 96141029104)

KEY NO.	PART NO.	DESCRIPTION	KEY NO.	PART NO.	DESCRIPTION
1	501 40 81-01	Drive Control Assembly (Includes Cable)	29	581 84 04-01	Cover, Dust, Wheel
4	532 19 74-80	O-Ring	30	532 19 17-30	Nut, Hex
5	532 08 83-48	Washer, Flat	31	532 40 48-45	Pawl, Drive
9	581 95 21-01	Cable, Drive	32	581 68 51-01	Wheel & Tire Assembly, Rear
10	532 43 27-90	Mounting Bracket, Drive Control	33	532 40 91-48	Nut, Flangelock 3/8-16
12	580 36 46-04	Belt, Drive	34	532 40 48-35	Pinion
13	581 68 08-01	Gear Case Assembly, Complete	35	532 43 78-72	Kit, Wheel Adjuster, Front, RH
14	586 96 30-01	Pulley, Drive	36	532 43 78-71	Kit, Wheel Adjuster, Front, LH
15	581 49 79-06	Wheel Adjuster, Rear, RH	37	532 16 34-09	Screw, Hi-Lo Thread
16	581 49 79-05	Wheel Adjuster, Rear, LH	40	532 41 08-31	Wheel & Tire Assembly, Front
18	532 70 10-37	Selector Knob	41	532 43 84-89	Kit, Water Washout Assembly
20	580 80 69-01	Debris Shield	42	532 43 49-94	Fitting, Water Washout
22	817 00 05-10	Bolt, Hex Head 5/16-18	43	532 41 55-85	Washer, Lock, Internal Tooth
25	581 31 38-02	Mounting Bracket, Debris Shield	44	532 41 55-86	Locknut, Hex, with O-Ring
26	532 42 60-66	Belt Keeper	55	581 35 13-01	Spring, Return
27	532 06 77-25	Washer	59	532 44 21-13	Support Bracket, Front Axle
28	812 00 00-58	E-Ring 7/16	61	532 18 16-98	Screw
			86	587 96 92-01	Pulley, Idler
			87	581 12 76-01	Screw

NOTE: All component dimensions given in U.S. inches. 1 inch = 25.4 mm. **IMPORTANT:** Use only Original Equipment Manufacturer (O.E.M.) replacement parts. Failure to do so could be hazardous, damage your lawn mower and void your warranty.