

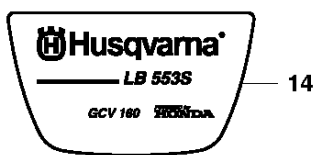
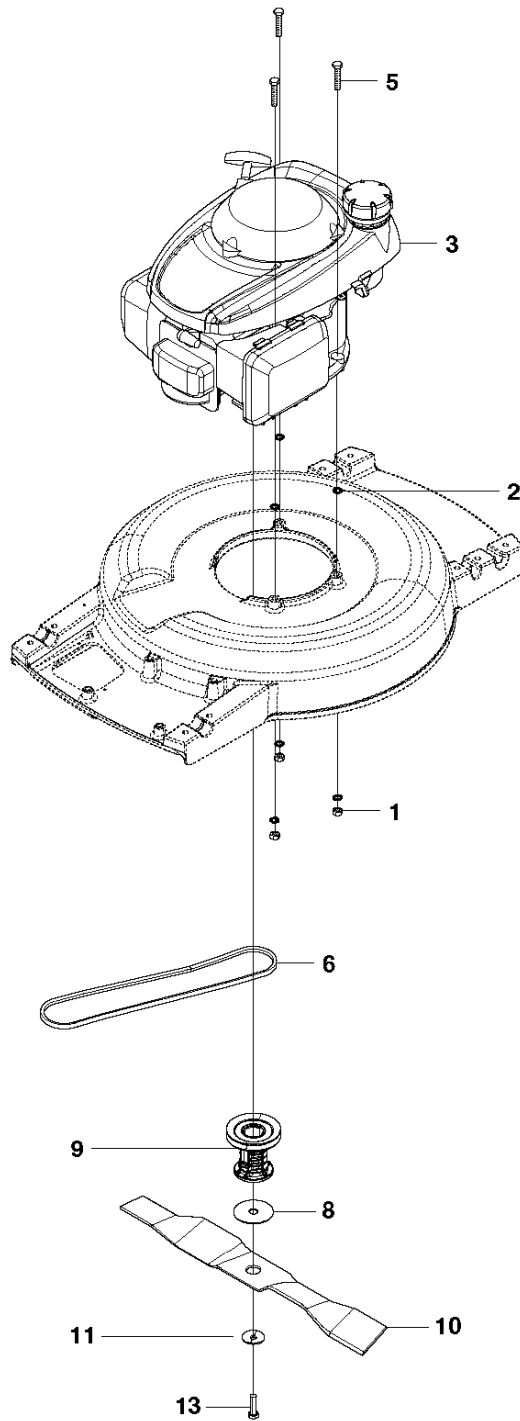


SPARE PARTS LIST

LAWN MOWERS: CONSUMER
WALK-BEHINDS

LB553 S, 967257101, 2016-01

C LB 553S
ENGINE

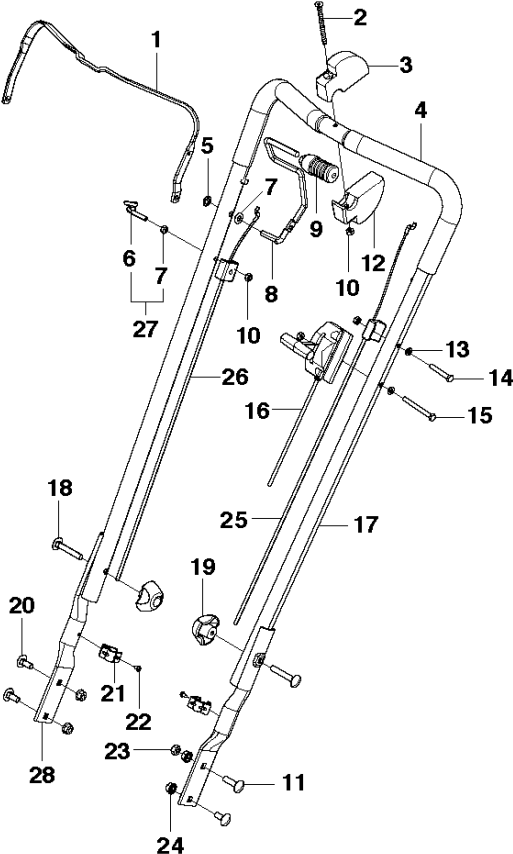


ENGINE

LB553 S, 967257101, 2016-01

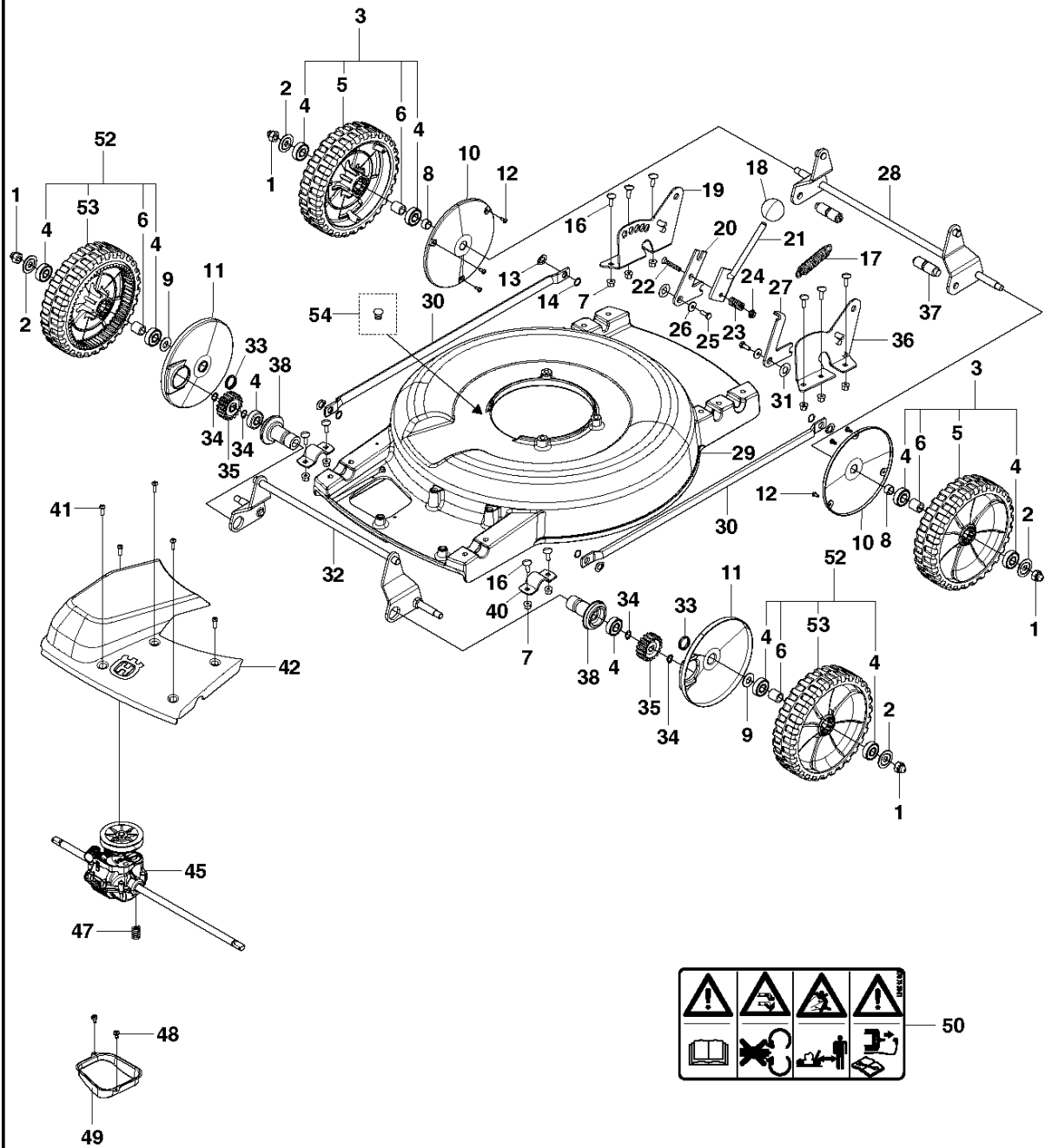
Ref	Part No	Description	Remark	QTY KIT
1	732 21 18-01	LOCK NUT		3
2	734 11 64-01	WASHER		6
3	.	TBD	GCV 160 A0 A3-HV-SD	1
5	725 24 63-51	SCREW EHHM		3
6	295 67 30-01	V-BELT	Kit: 531 00 92-60, for 75mm pulley	1
6	295 67 30-02	V-BELT	Kit: 580 86 28-01, for 83mm pulley	1
8	503 25 94-01	WASHER	Diam 83mm - Use with belt 2956730-02	1
9	501 11 07-01	BLADE SUPPORT		1
10	295 67 32-20	MOWER BLADE	Kit: 531 00 92-54 (Blade with box)	1
11	503 33 25-01	SPRING		1
13	504 45 64-01	SCREW EHHI		1
14	585 83 52-04	DECAL		1

B LB 553S
HANDLE



Ref	Part No	Description	Remark	QTY	KIT
1	295 71 40-01	BAIL		1	
2	579 69 88-01	SCREW IHCSFM		1	
3	295 66 15-02	WEIGHT		1	
4	295 66 75-01	TUBE		2	
5	295 68 05-01	WASHER		1	
6	531 20 51-69	PIN RETAINING SCREW		1	27
7	731 23 16-01	HEXAGON NUT		1	27
8	295 68 80-01	LEVER		1	
9	295 67 51-01	KNOB		1	
10	732 25 16-01	HEXAGON LOCKING NUT		4	
11	727 64 55-01	SCREW RSQM		1	
12	295 66 15-01	WEIGHT		1	
13	734 11 53-01	WASHER		2	
14	725 23 78-51	SCREW EHHM		1	
15	725 23 82-51	SCREW EHHM		1	
16	295 67 40-01	THROTTLE CONTROL	Kit: 5310092-56	1	
17	295 66 00-01	HANDLE		1	
18	727 64 61-01	SCREW RSQM		2	
19	295 67 82-01	HANDLE		2	
20	727 64 51-51	SCREW		3	
21	295 68 18-01	HOLDER		2	
22	729 53 40-01	SCREW CCRPANT		2	
23	732 21 18-01	LOCK NUT		1	
24	578 37 26-01	ALTIGEN FLANŞ SOMUNU		4	
25	295 67 39-01	CABLE		1	
26	587 38 69-01	DRIVE CONTROL		1	
27	581 55 11-01	STARTER ROPE GUIDE		1	
28	295 66 02-01	BRACKET		2	

A LB 553S
DECK



MOWER DECK / CUTTING DECK

LB553 S, 967257101, 2016-01

Ref	Part No	Description	Remark	QTY	KIT
1	295 67 71-05	NUT		4	
2	295 66 67-02	WASHER		4	
3	295 66 71-04	WHEEL		2	
4	295 67 42-01	BALL BEARING	6201 2RS/C3	10	3, 52
5	295 68 87-04	WHEEL ASSY		2	3
6	295 66 72-01	SPACER		4	3, 52
7	295 68 04-03	LOCKING NUT		10	
8	295 66 62-02	SPACER		2	
9	295 67 52-01	SPACER WASHER		2	
10	295 66 73-01	SHIELD		2	
11	579 58 06-01	SHIELD		2	
12	729 57 74-01	SCREW CRPANT		6	
13	295 67 74-01	RING		4	
14	740 42 10-00	O-RING		4	
16	727 63 72-51	SCREW		10	
17	295 67 43-01	SPRING		1	
18	295 67 81-01	BALL		1	
19	580 37 18-01	INDEX PLATE		1	
20	579 58 17-01	LINK ARM		1	
21	295 66 16-02	LEVER ASSY		1	
22	725 63 78-51	SCREW IHCSFM		1	
23	734 11 56-01	WASHER		1	
24	731 71 16-51	HEXAGON NUT FLANGE		1	
25	725 23 68-01	SCREW		2	
26	523 06 61-01	WASHER		2	
27	295 66 77-01	LEVER		1	
28	295 66 09-01	AXLE		1	
29	295 65 90-10	CHASSIS		1	
30	295 66 03-01	ROD		2	
31	578 33 87-01	DISC SPRING		2	
32	579 58 11-01	AXLE		1	
33	295 67 87-02	SPRING		2	
34	735 31 14-01	CIRCLIP		4	
35	295 66 69-01	PINION		2	
36	580 37 17-01	HANDLE SUPPORT		1	
37	295 65 96-01	SHAFT		2	
38	579 58 10-01	SHAFT		2	
40	295 66 17-01	HOLDER		2	
41	578 97 60-02	SCREW ITXPANTT		5	
42	577 51 12-01	COVER		1	
45	587 21 42-01	GEARBOX		1	
47	295 67 48-01	SPRING		1	
48	502 43 52-01	SCREW ITXPANTT		2	
49	587 36 00-01	CUP		1	
50	579 73 39-01	DECAL		1	
52	295 66 70-04	WHEEL ASSY		2	
53	295 68 86-04	WHEEL ASSY		2	52
54	586 58 85-01	PLUG	For chassis with hole	1	