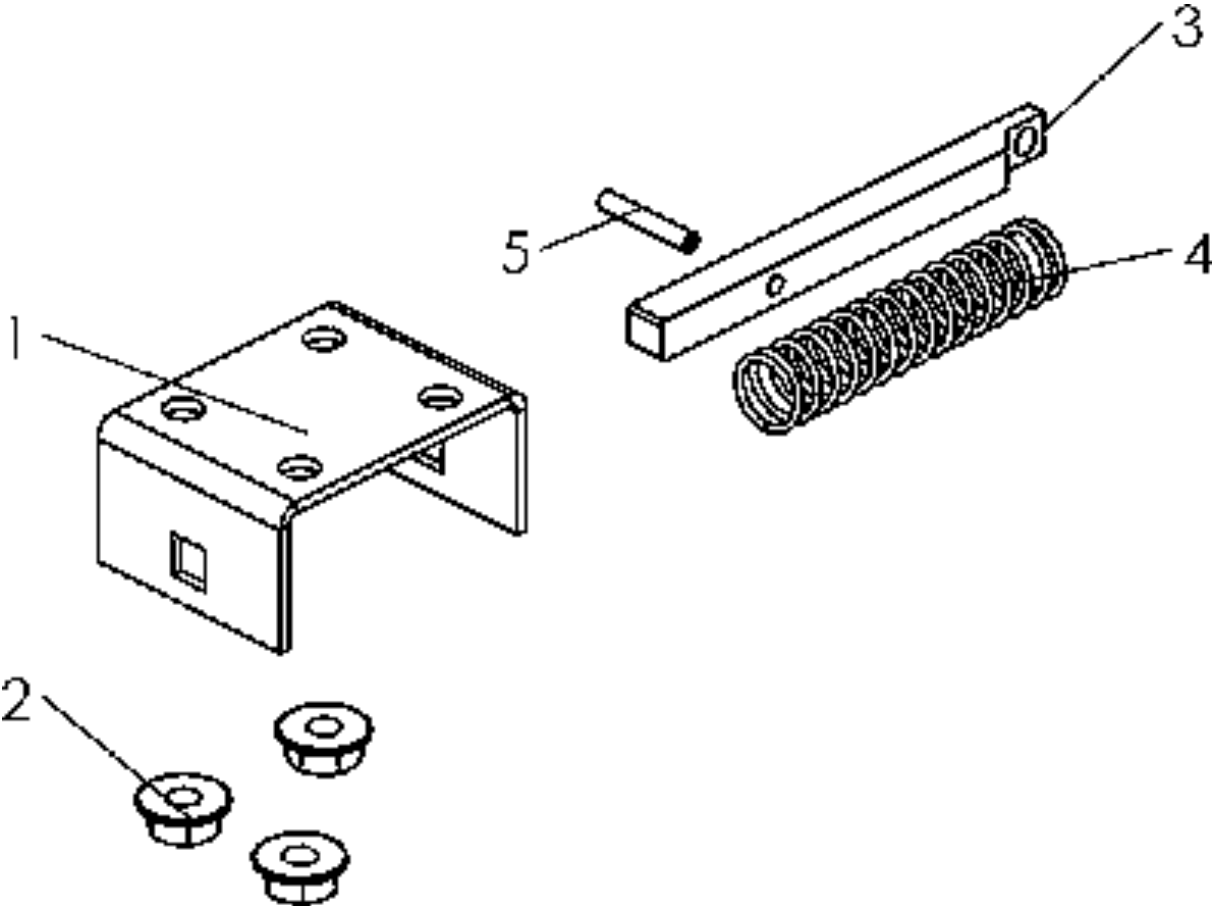




# SPARE PARTS LIST

LAWN MOWERS: COMMERCIAL  
WALK-BEHINDS

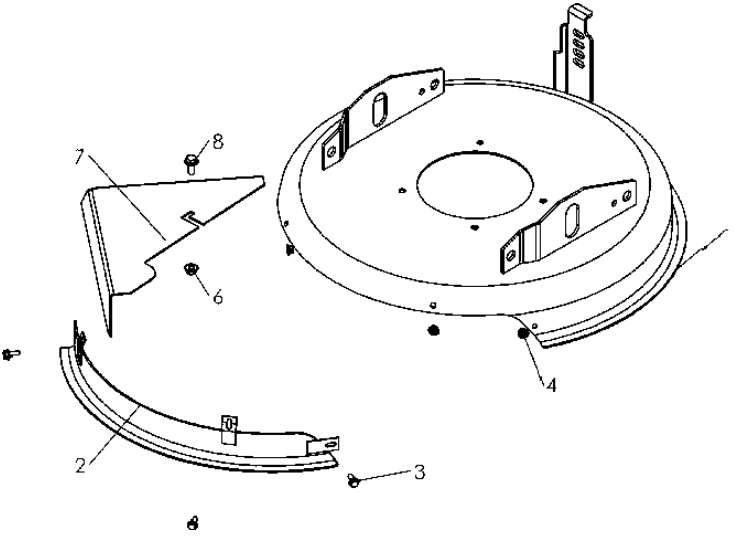
DBS 51, 967637201, 2016-09



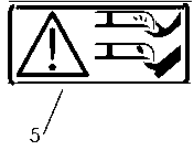
## ATTACHMENTS

DBS 51, 967637201, 2016-09

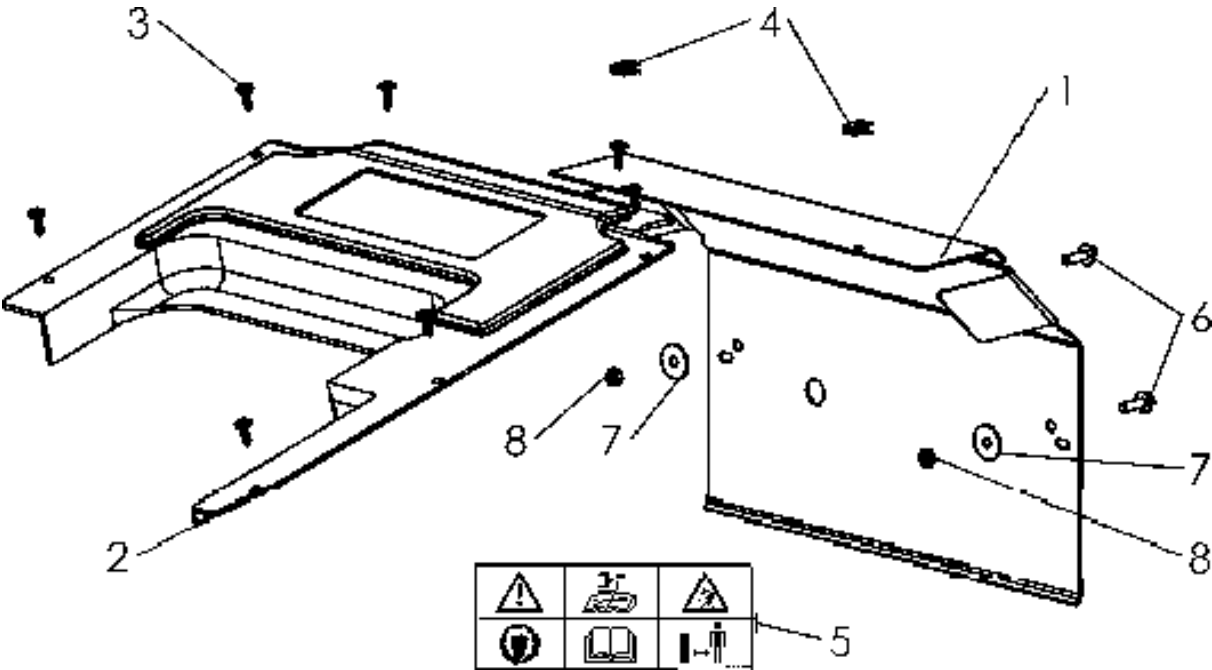
Ref	Part No	Description	Remark	QTY KIT
1	531 00 85-92	SUPPORT	LOCKING PIN SUPPORT	1
2	519 65 34-30	NUT	NUT H M8 Z NOTCHED SHOULDER	3
3	531 00 85-94	AXE	LOCKING PIN	1
4	519 65 32-09	RESSORT DE VERROUILLAGE 13016	LOCKING SPRING	1
5	531 00 83-98	GOUPILLE 4X24 HBK	COTTER PIN 4X24 HBK	1



LWA  
**100 dB**



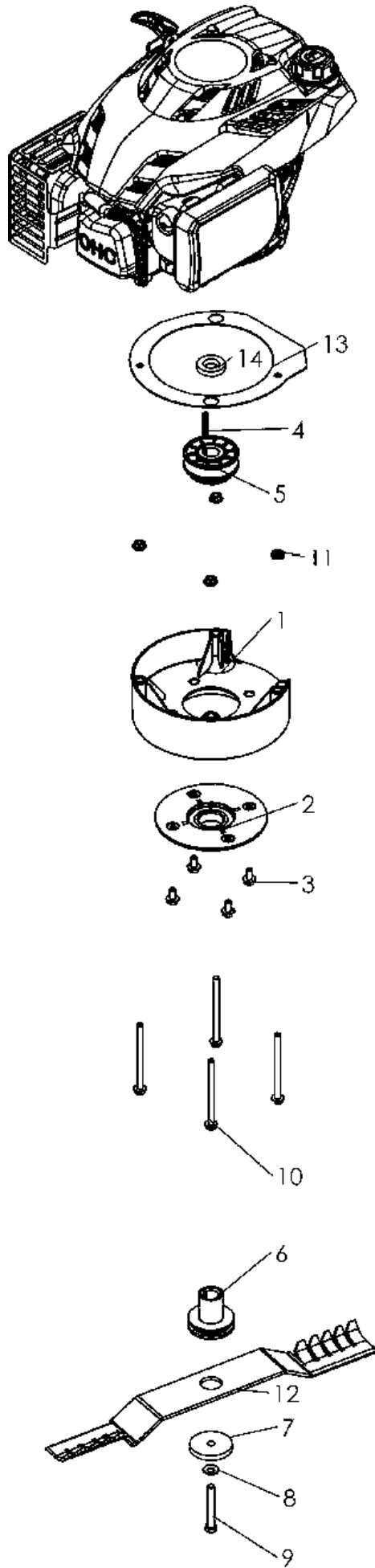
Ref	Part No	Description	Remark	QTY KIT
1	590 49 75-01	GUARD	BLADE GUARD BRUSHCUTTER GREY 627	1
2	585 42 52-01	DEFLECTOR	FRONT DEFLECTOR GREY 627	1
3	519 65 34-35	SCREW	SCREW HM 6X16 Z NOTCHED SHOULDER	3
4	519 65 34-32	NUT	NUT H M6 Z NOTCHED SHOULDER	3
5	519 65 32-63	LABEL	Danger	2
6	586 72 10-01	NUT	SCREW BDR HM8 SMOOTH BASE	1
7	585 42 53-01	DEFLECTOR	SIDE DEFLECTOR GREY 627	1
8	519 65 34-33	NUT	SCREW H M8X20 Z NOTCHED SHOULDER	1
9	587 69 99-01	LABEL	STICKER NOISE LEVEL '100 dB'	1



## COVER, REAR

DBS 51, 967637201, 2016-09

Ref	Part No	Description	Remark	QTY KIT
1	590 49 77-01	COVER	REAR BONNET ORANGE	1
2	544 26 78-01	HOOD	BLACK MOTOR BONNET	1
3	519 65 34-26	SCREW	SCREW POZI 4.2X16Z	7
4	519 65 34-25	CLIP	CLIPS 4.2	2
5	519 65 32-64	LABEL	SAFETY INSTRUCTIONS LABEL	1
6	576 14 54-01	SCREW	SCREWHM 6X20 NOTCHED SHOULDER	2
7	590 49 78-01	WASHER	WASHER 6X24X1.2 Z	2
8	732 26 16-01	HEXAGON LOCKING NUT	BLOCKING NUT M 6 Z	2

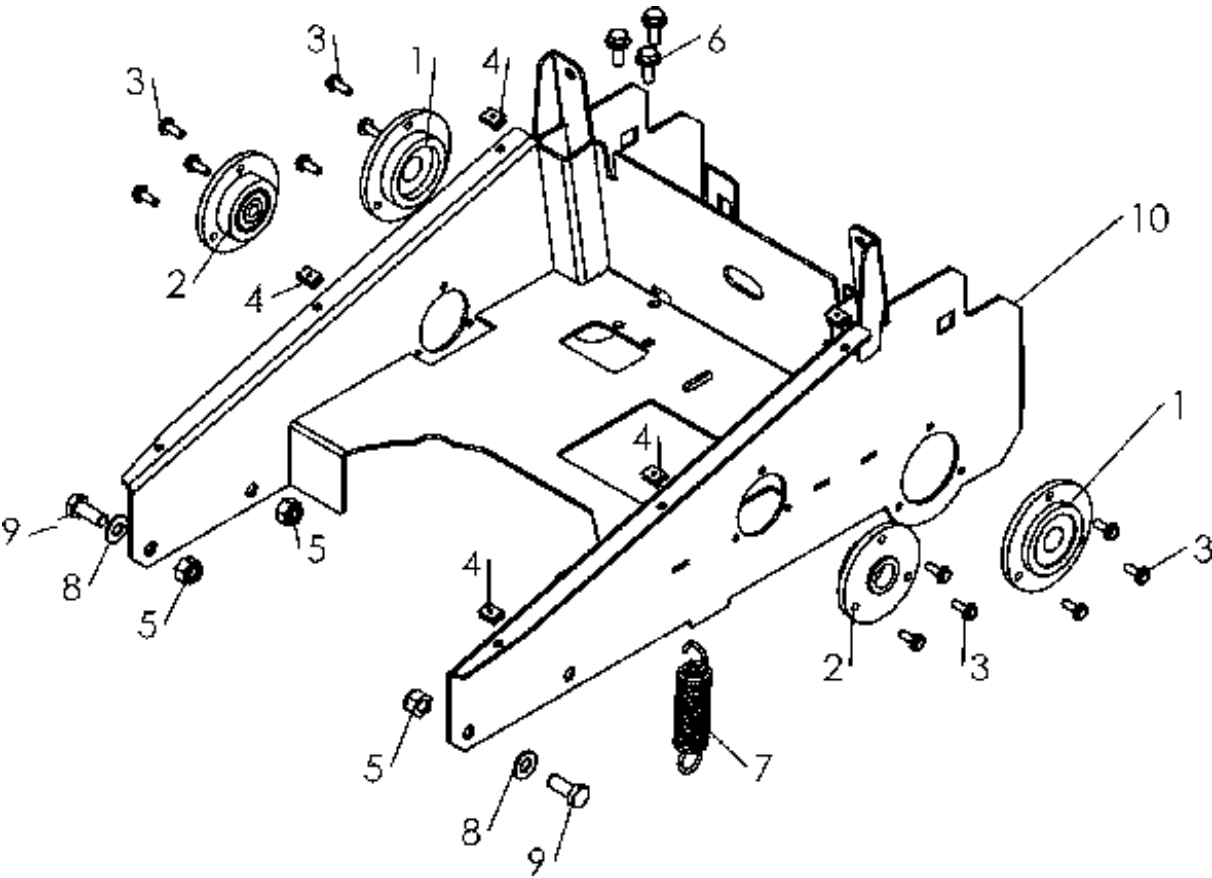




## ENGINE

DBS 51, 967637201, 2016-09

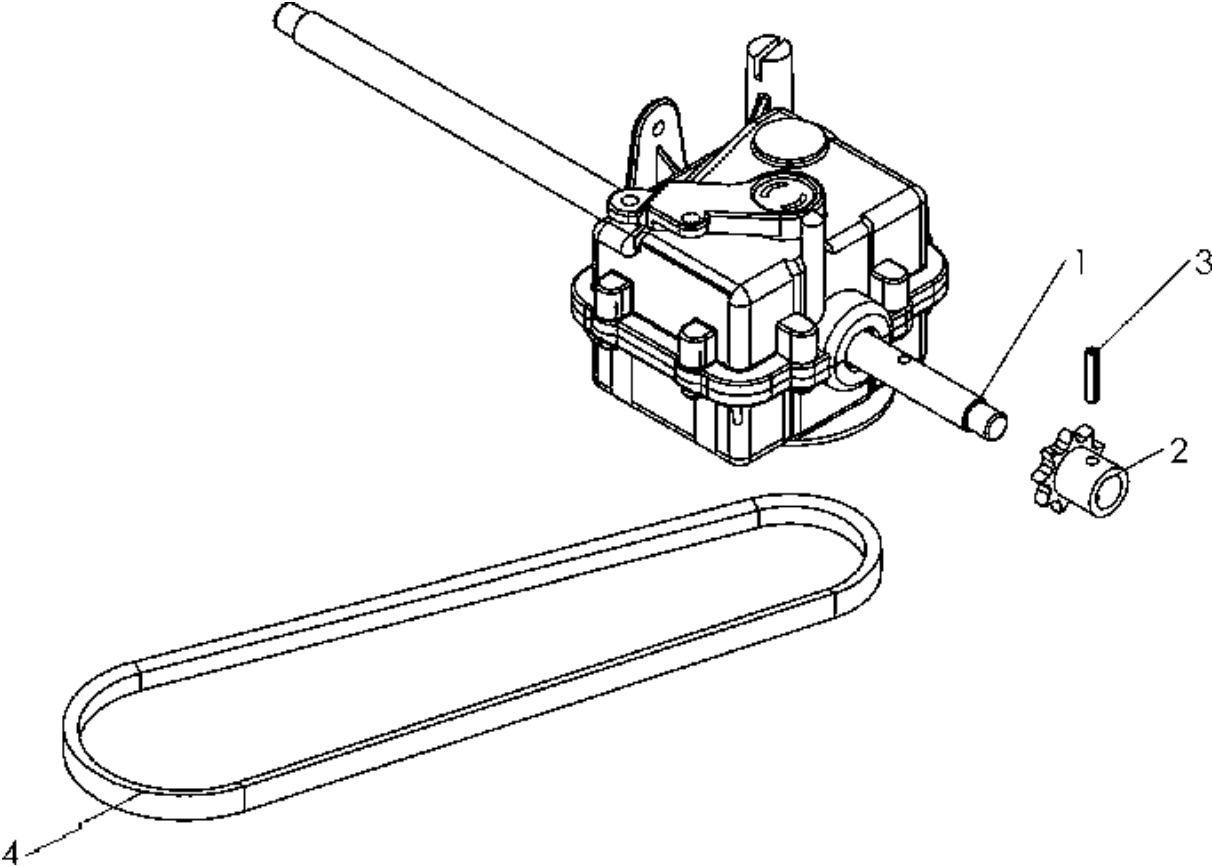
Ref	Part No	Description	Remark	QTY KIT
1	544 29 17-01	WASHER PLASTIC	PLASTIC ENGINE RAISER	1
2	531 00 94-37	COUPELLE PROTEGE LAME	FLANGE BEARING	1
3	531 00 82-02	BOLT	SCREW H M8X16 Z NOTCHED SHOULDER	4
4	519 65 30-21	KEY	KEY 4.76X4.76X40	1
5	531 00 94-70	POULIE DE VARIATEUR	VARIATION MOTOR PULLEY diam. 22.2	1
6	531 00 94-32	HUB	BLADE HUB	1
7	519 65 32-74	WASHER	BLADE WASHER	1
8	504 05 22-01	WASHER	ELASTIC WASHER 10 BIC	1
9	531 00 83-18	SCREW	SCREW 3/8 TH24 UNF LG70	1
10	519 65 30-45	SCREW	SCREW H 8X110 Z NOTCHED SHOULDER	4
11	519 65 34-30	NUT	NUT H M8 Z NOTCHED SHOULDER	4
12	531 00 94-60	LAME DE COUPE	BLADE	1
13	587 48 23-01	ENGINE PLATE	ENGINE RAISER THICKNESS1.5	1
14	504 05 16-01	SPACER	SPACER 40X22X8	1



## FRAME

DBS 51, 967637201, 2016-09

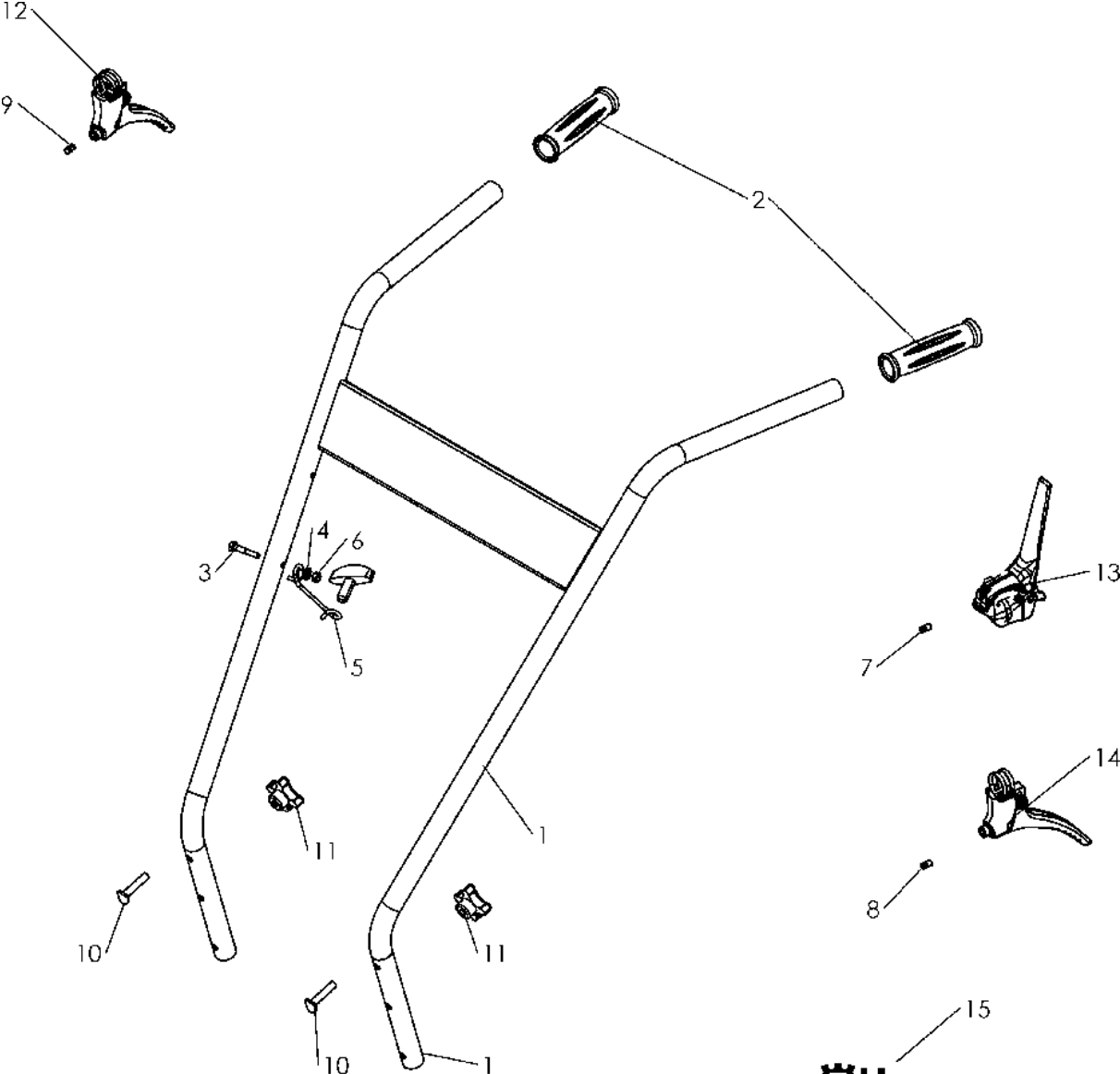
Ref	Part No	Description	Remark	QTY KIT
1	531 00 83-58	PALIER ARBRE DE ROUE 15366	WHEEL FLANGE BEARING diam. 20	2
2	544 26 89-01	BEARING	COUNTERSHAFT BEARING diam. 10	2
3	504 05 27-01	SCREW	SCREW HM6X16 Z SELF- TAPPING	12
4	519 65 34-25	CLIP	CLIPS 4.2	5
5	519 65 34-58	NUT	BLOCKING NUT M 10 Z	4
6	519 65 34-33	NUT	SCREW H M8X20 Z NOTCHED SHOULDER	3
7	519 65 32-04	SPRING	HIGH ADJUSTMENT SPRING	1
8	590 47 44-01	SPACER	SPACER SHOULDER D20 d10.5 Lg6.5	2
9	519 65 31-23	SCREW	SCREW H M10X25 Z	2
10	590 49 76-01	FRAME	BACK FRAME ORANGE	1



## GEAR BOX

DBS 51, 967637201, 2016-09

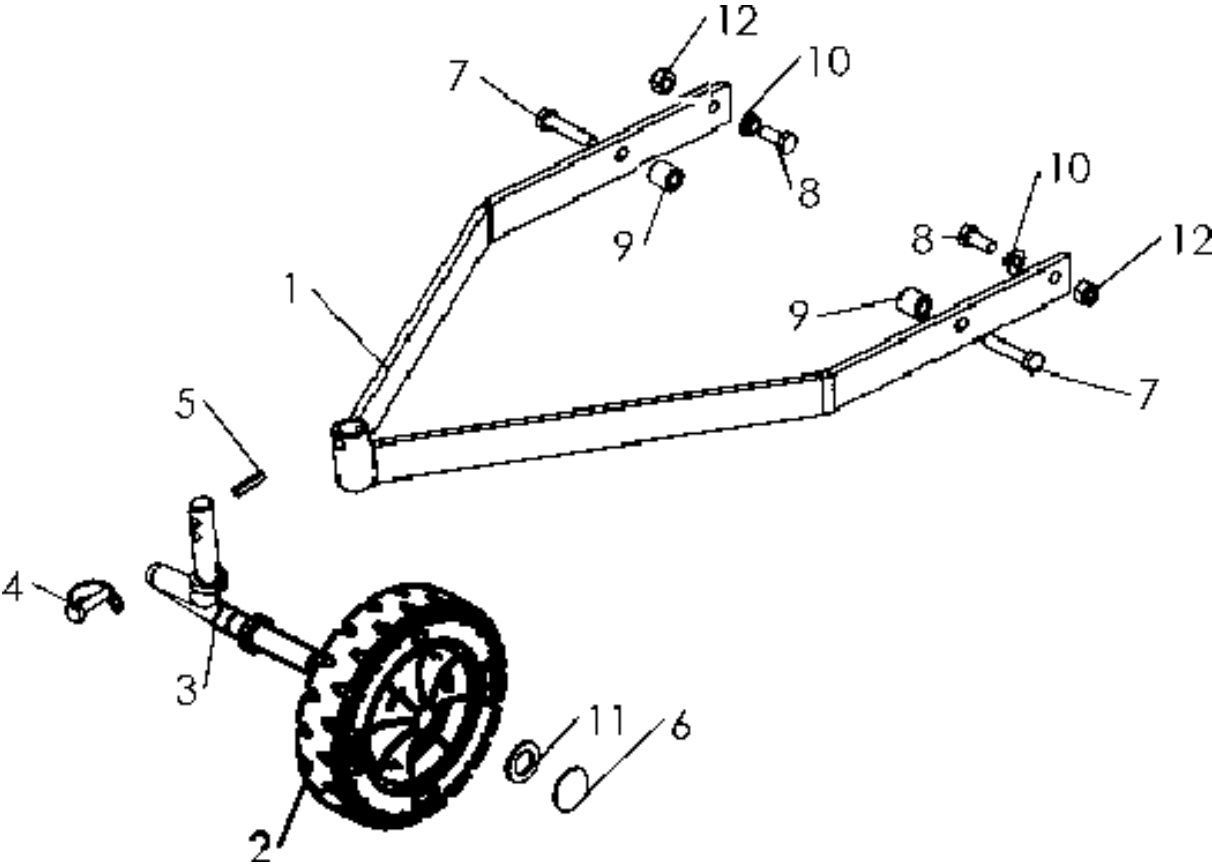
Ref	Part No	Description	Remark	QTY KIT
1	505 51 17-01	GEARBOX	REDUCTION GEARBOX	1
2	504 05 11-01	SPROCKET	SPROCKET 9 TEETH 9.525	1
3	519 65 31-68	GOUPILLE 11760	PIN diam. 4X20 HBK	1
4	504 05 09-01	BELT	BELT	1



## HANDLE &amp; CONTROLS

DBS 51, 967637201, 2016-09

Ref	Part No	Description	Remark	QTY KIT
1	504 05 08-01	HANDLEBAR	HANDLEBAR GREY 627	1
2	519 00 01-13	HANDLE	HAND SIPE GRIP 025	2
3	519 65 34-37	SCREW	SREW HM6X35 Z	1
4	531 00 94-03	WASHER	CONTACT WASHER 6	1
5	531 00 85-97	ACCROCHE LANCEUR	STARTER HOOK	1
6	732 26 16-01	HEXAGON LOCKING NUT	BLOCKING NUT M 6 Z	1
7	504 05 20-01	CABLE	ENGINE BRAKE CABLE	1
8	505 51 21-01	CABLE	CLUTCH CABLE	1
9	504 05 18-01	CABLE	HEIGHT SETTING CABLE	1
10	531 00 84-73	SCREW	SCREW M8X40 Z FORGED HEAD BOLT	2
11	590 49 79-01	HANDLE	TIGHTENING HANDLE	2
12	590 47 47-01	LEVER	HEIGHT SETTING LEVER	1
13	590 47 48-01	BRAKE LEVER	BRAKE LEVER	1
14	590 47 45-01	LEVER	CLUTCH LEVER	1
15	590 47 49-01	STICKER	"Label ""HUSQVARNA DBS51""	1

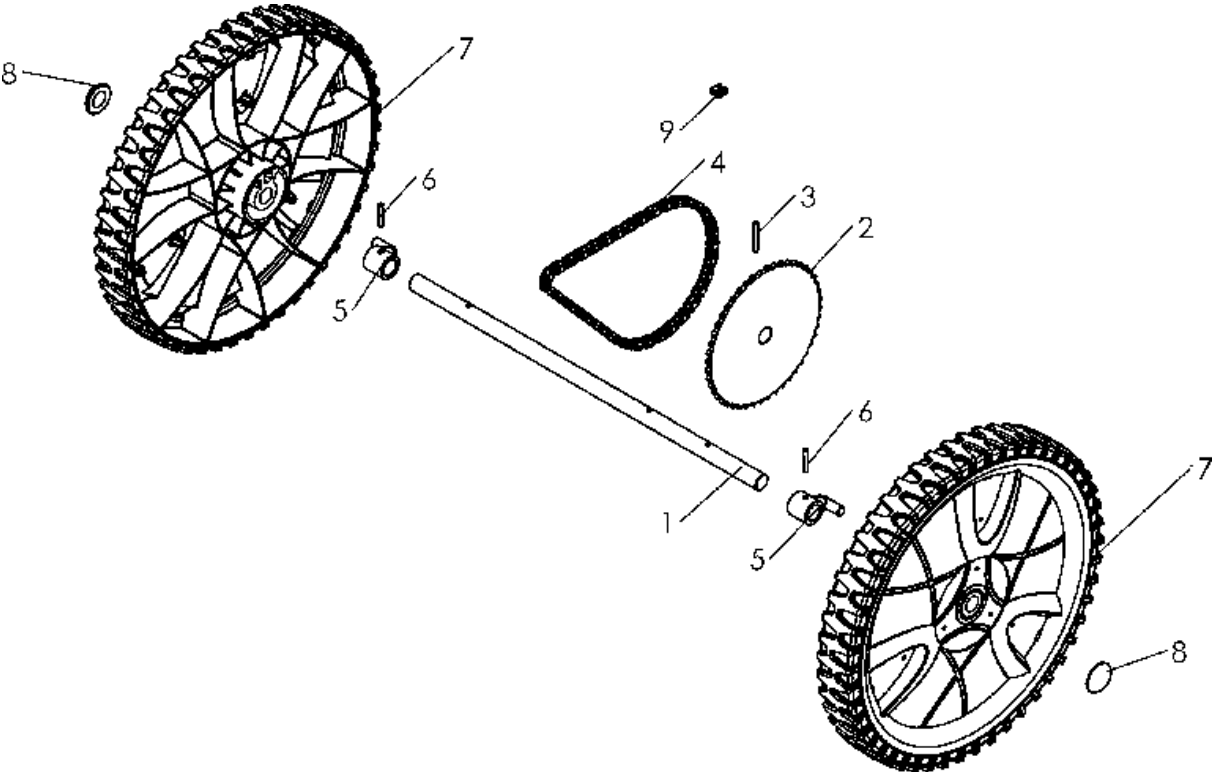




## SUPPORT WHEEL

DBS 51, 967637201, 2016-09

Ref	Part No	Description	Remark	QTY KIT
1	504 05 10-01	CHASSI	FRONT FRAME GREY 627	1
2	580 31 82-01	WHEEL	WHEEL diam. 200 BORE 20	1
3	585 42 84-01	FRONT AXLE	SUPPORT FRONT WHEEL GREY (627)	1
4	577 45 35-01	CLIP	CLIP PIN D8X36	1
5	531 00 85-64	GOUPILLE 8X30	COTTER-PIN 8X30	1
6	519 65 31-74	HUB CAP	TRIM STOPPER 020	1
7	519 65 31-27	SCREW	SCREW H M10X50 Z	2
8	519 65 31-23	SCREW	SCREW H M10X25 Z	2
9	504 05 13-01	GUARD	BLADE GUARD SPACER	2
10	590 47 44-01	SPACER	SPACER SHOULDER D20 d10.5 Lg6.5	2
11	519 65 34-34	WASHER	WASHER 21X36X3 Z	1
12	519 65 34-58	NUT	BLOCKING NUT M 10 Z	2



## WHEELS &amp; TIRES

DBS 51, 967637201, 2016-09

Ref	Part No	Description	Remark	QTY KIT
1	504 05 04-01	SHAFT	WHEEL SHAFT	1
2	505 51 19-01	PINION	PINION 60 TEETH 9.525	1
3	519 65 31-70	GOUPILLE GM 5 X 40 11768	PIN diam. 5X40 HBK	1
4	505 51 18-01	CHAIN	CHAIN ISO 06B-1 PITCH 9.525 75 LINKS + OFFSET 1 LINK+ CONNECT LINK	1
5	519 65 32-51	MOYEU DE ROUE 14013	WHEEL LUB	2
6	519 65 31-69	GOUPILLE DE ROUE GV 5X30 11767	PIN diam. 5X30 HBK	2
7	590 49 80-01	WHEEL	BLACK RAL 9005 WHEEL diam. 420	2
8	519 65 31-74	HUB CAP	TRIM STOPPER diam. 20	2
9	519 65 32-36	ATTACHE RAPIDE 13279	QUICK FASTENER 9.525	1