

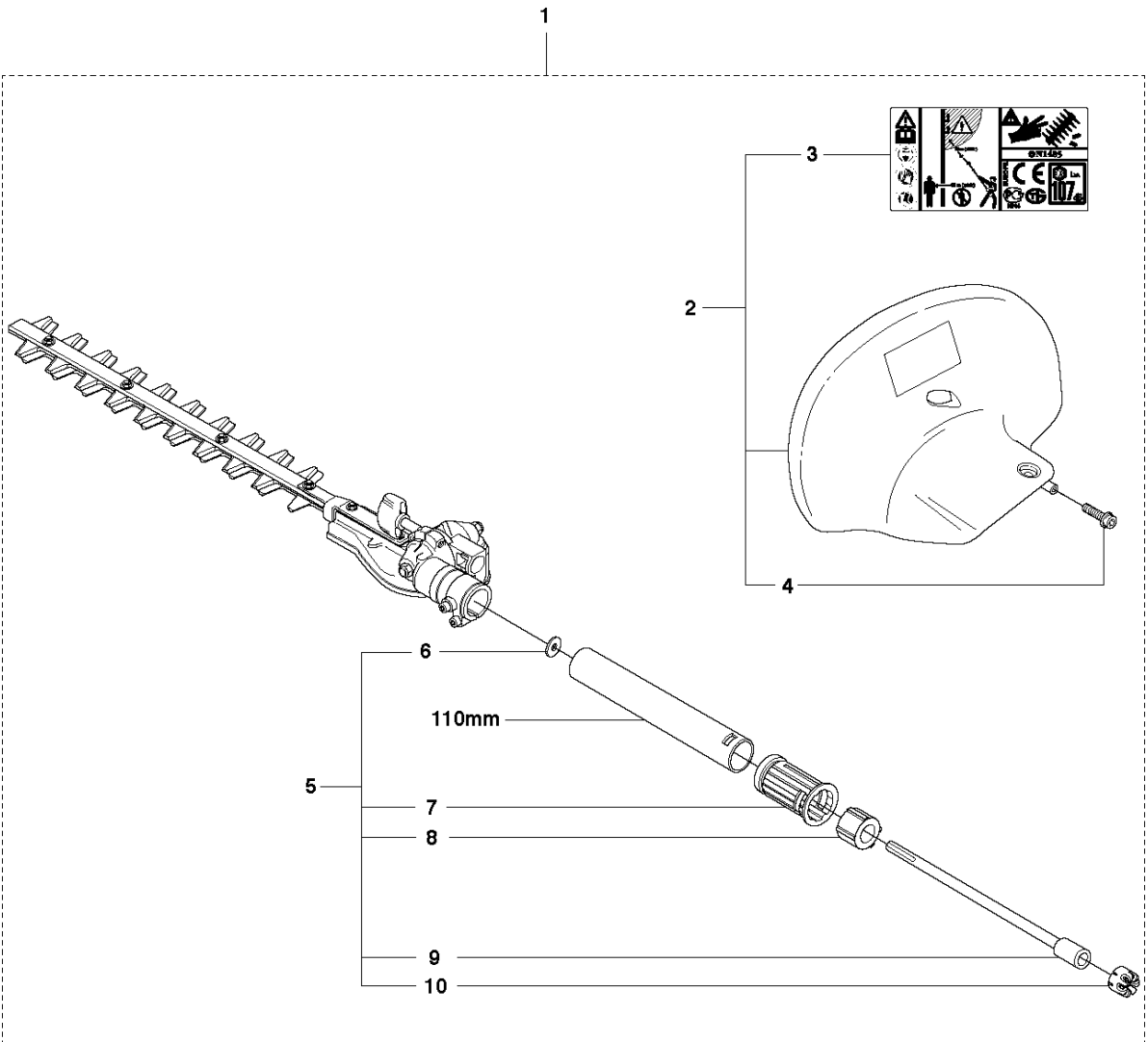


# SPARE PARTS LIST

ACCESSORIES AND TOOLS

HEDGETRIMMER ATTACHMENT HA110  
(537196605)

**A2** Hedgetrimmer Attachment HA110

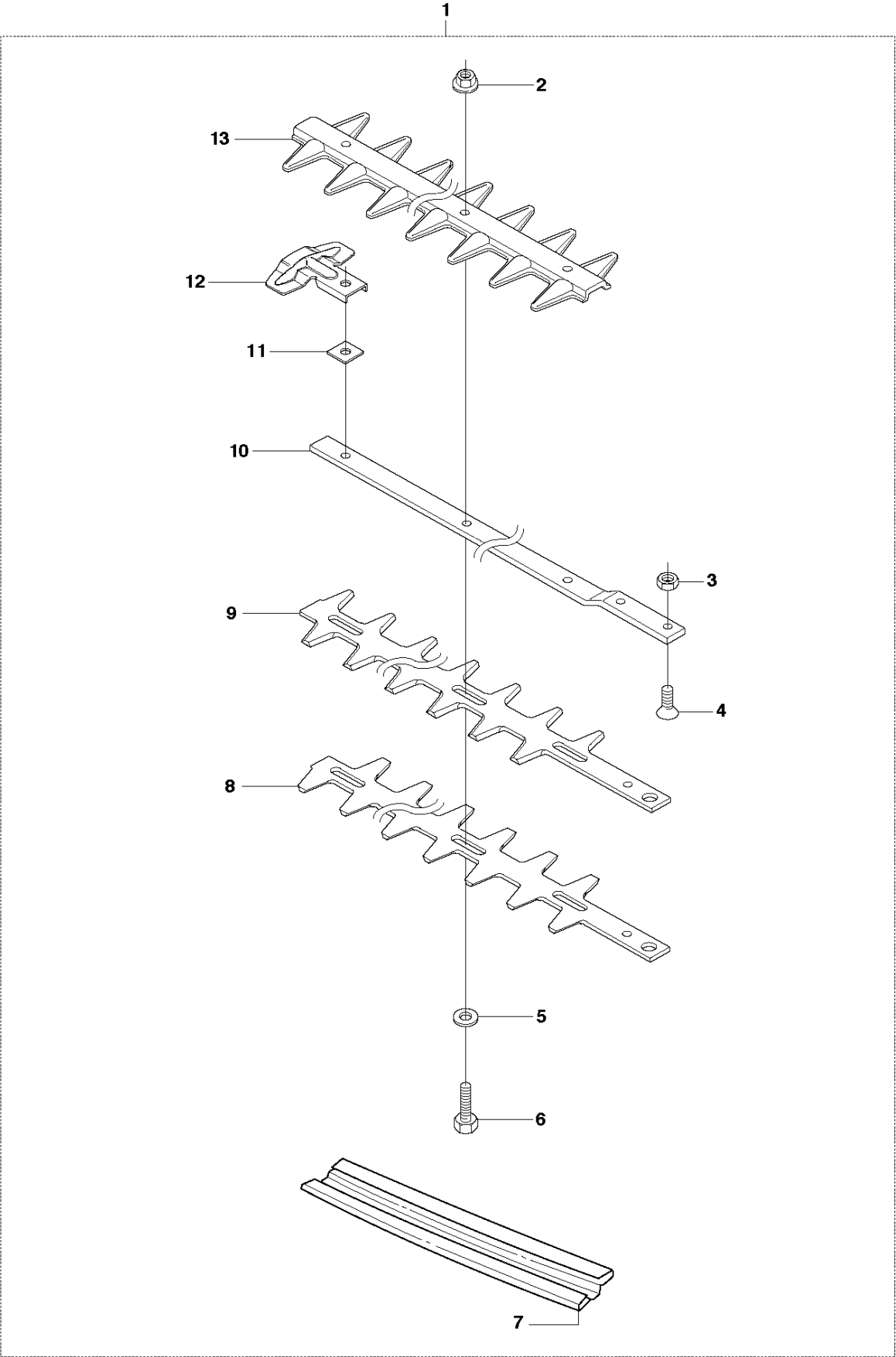


## ATTACHMENTS

## HEDGETRIMMER ATTACHMENT HA110 (537196605)

Ref	Part No	Description	Remark	QTY	KIT
1	537 19 66-05	ATTACHMENT		1	
2	544 11 89-05	HAND GUARD		1	
3	587 11 37-01	LABEL		1	1, 2
4	503 21 75-16	SCREW IHSCFT		1	1, 2
5	588 62 94-02	TUBE DRIVESHAFT ASSY		1	1
6	735 58 55-01	WASHER		1	1, 5
7	587 41 46-01	PLUG		1	1, 5
8	503 78 52-02	SUPPORTING BEARING		1	1, 4
9	587 41 19-01	DRIVE SHAFT		1	1, 5
10	583 93 83-01	CLIP		1	1, 5

**B** HA110, HA850  
CUTTINGSYSTEM

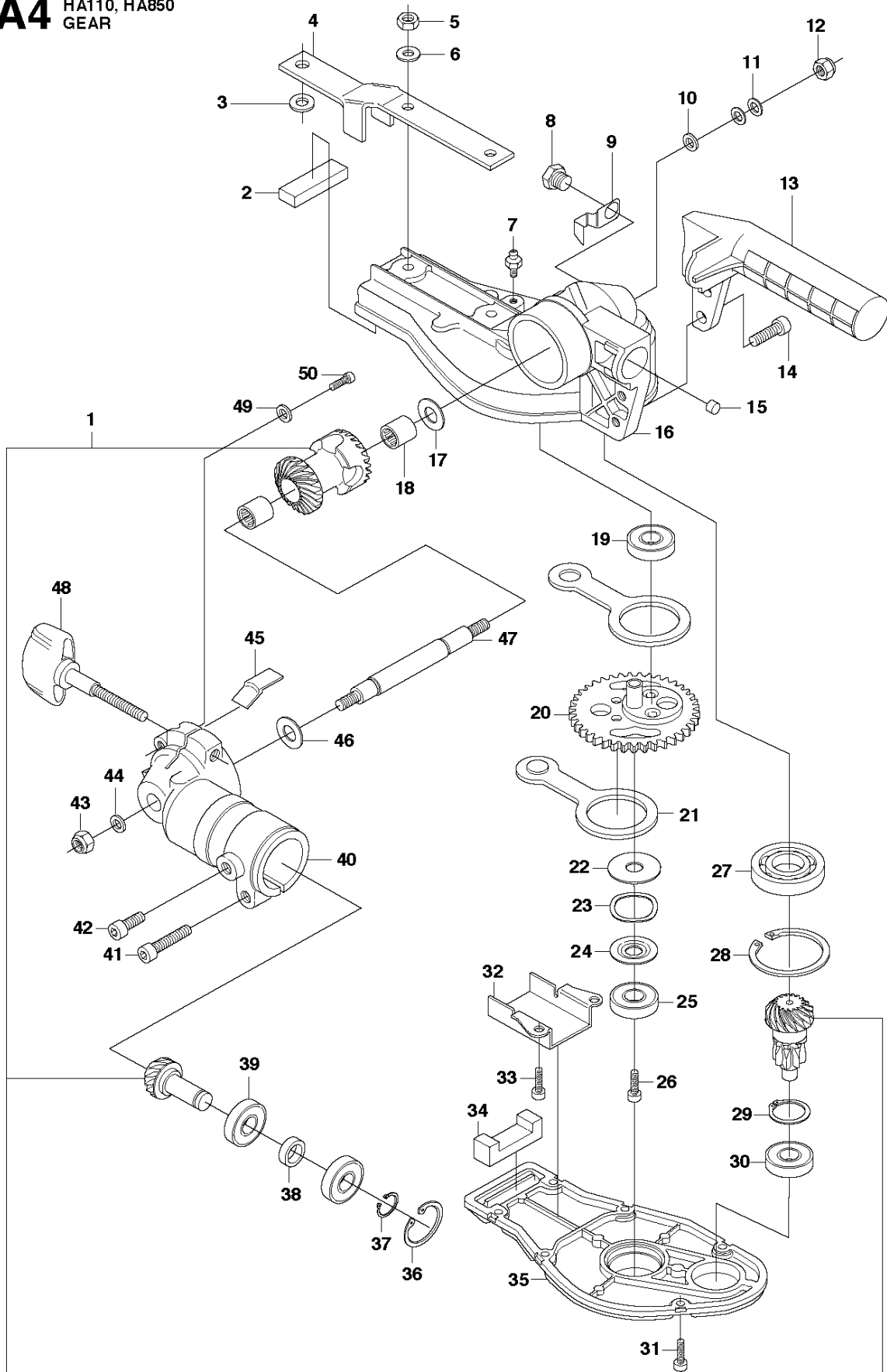


## CUTTING EQUIPMENT

## HEDGETRIMMER ATTACHMENT HA110 (537196605)

Ref	Part No	Description	Remark	QTY KIT	
1	505 06 55-02	CUTTING DECK		1	
2	503 22 75-02	NUT		4	1
3	503 22 10-12	HEXAGON NUT		2	1
4	725 63 31-55	SCREW IHCSFM		2	1
5	503 23 00-24	WASHER		4	1
6	503 20 17-22	SCREW EHHM		4	1
7	544 00 48-01	TRANSPORT GUARD		1	1
8	505 06 48-01	BLADE		1	1
9	505 06 48-01	BLADE		1	1
10	537 28 39-01	BEAM		1	1
11	544 46 27-01	WASHER STEEL		1	1
12	537 37 20-01	COVER		1	1
13	537 28 44-01	PROTECTIVE PLATE		1	1

**A4** HA110, HA850  
GEAR



## GEARS

## HEDGETRIMMER ATTACHMENT HA110 (537196605)

Ref	Part No	Description	Remark	QTY KIT
1	544 06 40-01	GEAR WHEEL		1
2	537 23 22-01	SEALING		1
3	734 11 65-41	WASHER		1
4	537 23 21-01	BASEPLATE		1
5	503 22 10-12	HEXAGON NUT		2
6	734 11 46-01	WASHER		2
7	738 88 10-01	LUBRICATION NIPPLE		1
8	537 41 66-01	PLUG		1
9	544 00 04-01	STOP		1
10	734 11 52-01	WASHER		1
11	737 38 52-00	DISC SPRING		2
12	732 25 16-01	HEXAGON LOCKING NUT		1
13	537 23 30-01	HANDLE	HA850	1
14	537 12 64-01	SCREW	HA850	2
15	544 09 31-01	PLUG		1
16	537 23 17-01	GEAR HOUSING		1
17	537 29 42-01	WASHER		1
18	537 23 36-01	NEEDLE BEARING		2
19	738 21 98-04	BALL BEARING		1
20	537 23 28-01	GEAR WHEEL		1
21	537 23 20-01	CONNECTING ROD		2
22	537 40 48-01	WASHER		1
23	503 23 03-02	WASHER		1
24	537 34 18-01	WASHER		1
25	738 21 98-04	BALL BEARING		1
26	725 53 23-05	SCREW IHSCM		1
27	537 40 64-02	BALL BEARING		1
28	735 31 33-10	CIRCLIP		1
29	735 31 19-00	CIRCLIP		1
30	738 21 98-04	BALL BEARING		1
31	725 52 91-01	SCREW IHSCM		6
32	537 34 15-01	GUIDE PLATE		1
33	725 52 87-55	SCREW IHSCM		2
34	537 23 42-01	SEALING		1
35	537 23 18-01	HUB CAP		1
36	735 31 25-10	CIRCLIP		1
37	735 31 11-00	CIRCLIP		1
38	537 23 37-01	SPACER		1
39	738 21 99-04	BALL BEARING		2
40	537 23 16-01	GEAR HOUSING		1
41	503 20 07-25	SCREW IHSCFM		1
42	503 20 14-12	SCREW IHSCFMO		1
43	732 25 16-01	HEXAGON LOCKING NUT		1
44	734 11 52-01	WASHER		1
45	537 39 49-01	SEALING		1
46	537 29 42-01	WASHER		1
47	537 23 26-01	SHAFT		1
48	537 44 23-01	KNOB		1
49	734 11 46-01	WASHER		1
50	725 53 29-55	SCREW IHSCM		1

# Illustrated Parts List - IPL Update



Product Name(s)

**HA110**

Description of change

New tube drive shaft assy, with updated plug, drive shaft and a clip, for an easier assembly (Click-on function)

Comments

Drive shaft 587 41 19-01 and plug 587 41 46-01 are backward compatible.  
NOTE: Clip 583 93 83-01 does not fit with plug 544 37 87-01 and drive shaft 537 19 59-01.

Introduced from

Serial number / Date	Remark
2016-03	

IPL updates

Page title	Ref. no	New part no	Name	Excl. part no.	Remark
Shaft	5	588 62 94-02	Tube drive shaft assy	537 19 58-01	
Shaft	7	587 41 46-01	Plug	544 37 87-01	
Shaft	9	587 41 19-01	Drive shaft	537 19 59-01	
Shaft	10	583 93 83-01	Clip		<b>New part</b>