

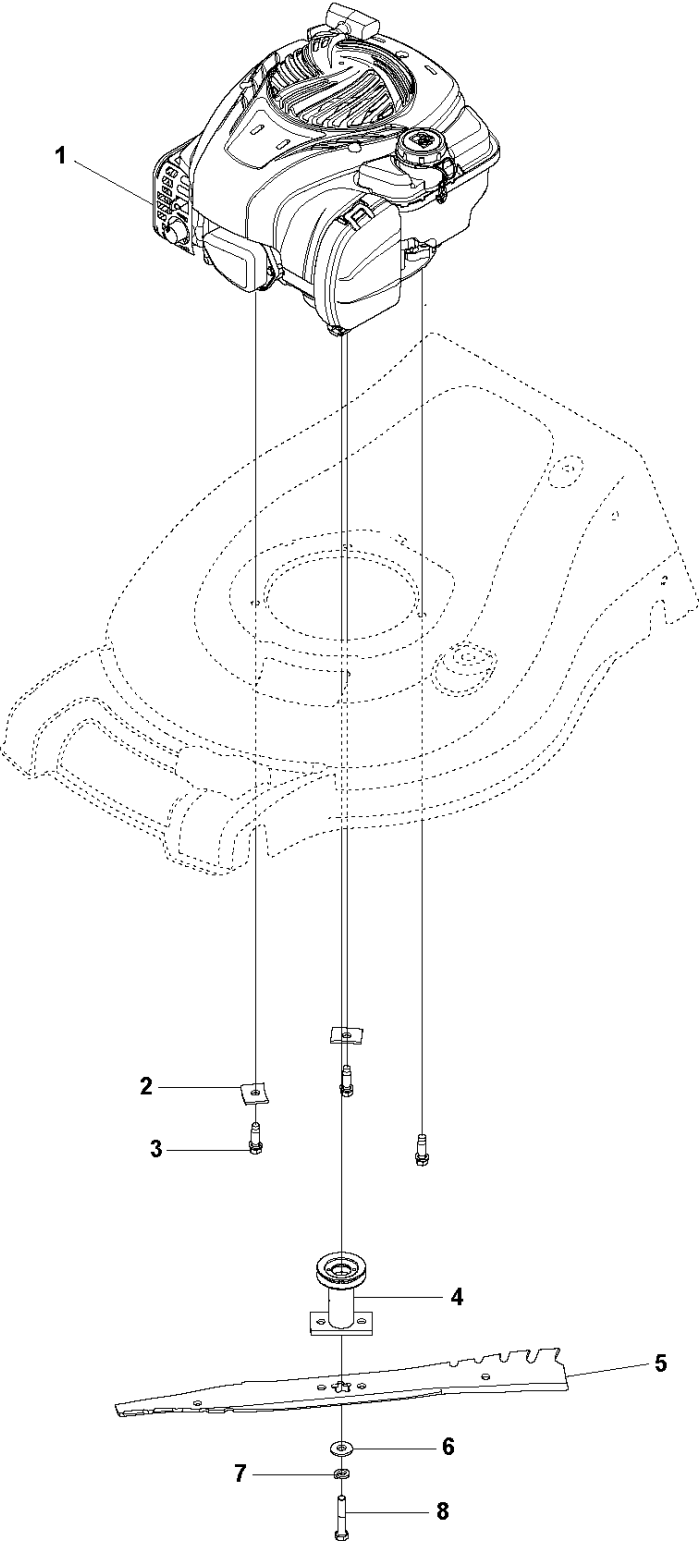


# SPARE PARTS LIST

LAWN MOWERS: CONSUMER  
WALK-BEHINDS

LC221A, 96145002601, 2016-09

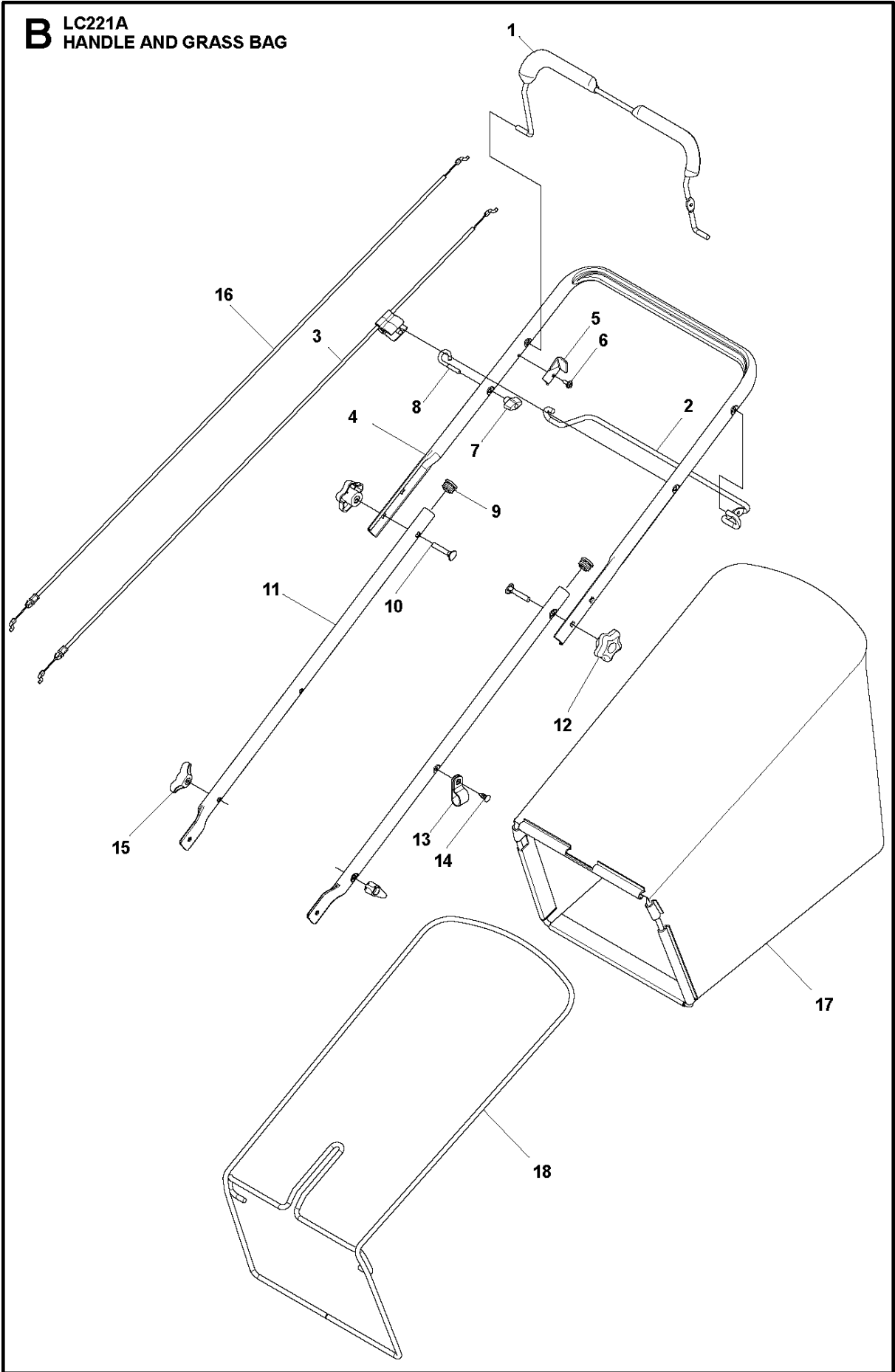
**C** LC221A  
ENGINE



## ENGINE

LC221A, 96145002601, 2016-09

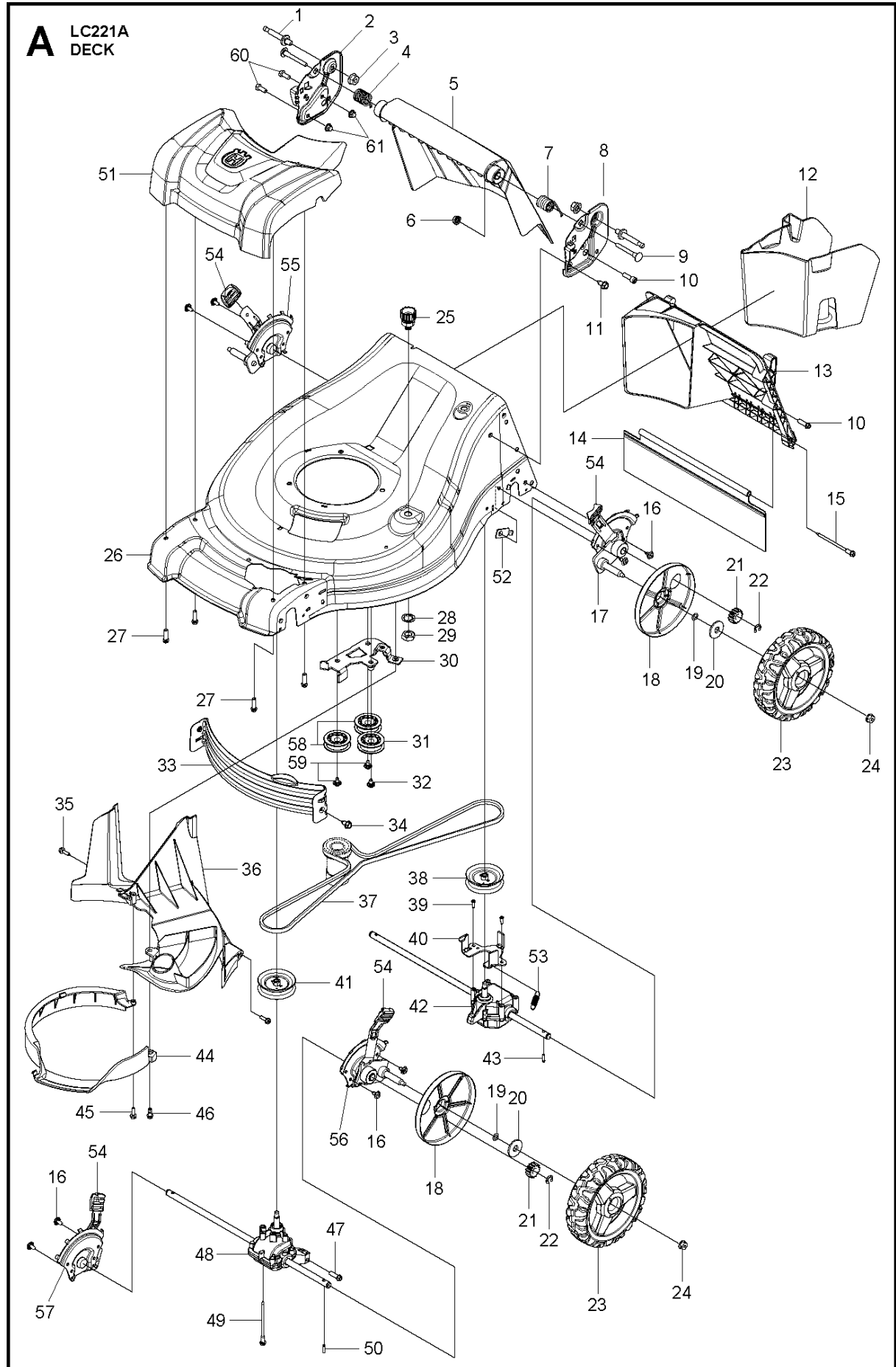
Ref	Part No	Description	Remark	QTY KIT
1	000 00 00-00	W/O DESCRIPTION	""93J02-0063-F1 (For engine service and replacement parts, call Briggs & Stratton at 1-800-233-3723)""	1
2	532 12 50-78	WASHER	Engine	2
3	532 15 04-06	BOLT	"3/8 16""	3
4	582 89 02-01	ADAPTER	"7/8, 21""	1
5	586 85 96-02	BLADE	High Lift	1
6	532 85 10-74	WASHER	Hardened	1
7	532 85 02-63	WASHER	"3/8, Helical Spring"	1
8	582 38 84-01	BOLT	Hex Head Machine Screw	1



## HANDLE

LC221A, 96145002601, 2016-09

Ref	Part No	Description	Remark	QTY KIT
1	587 47 83-02	BAIL ARM ASSY	Straight	1
2	532 19 84-53	BAR	"Drive, Straight"	1
3	501 18 88-01	CABLE	Operator Presence Bail	1
4	589 19 79-02	HANDLEBAR	Straight	1
5	532 43 00-34	BRACKET	Upstop	1
6	532 17 88-48	SCREW	10-16 X 5/8	1
7	581 91 26-01	KNOB	"T, Rope Guide"	1
8	581 90 21-01	GUIDE	Rope	1
9	532 43 75-16	PLUG	"Plastic, 7/8, 14-20 Gauge"	2
10	588 04 04-01	BOLT	"Concave Head, Retaining"	2
11	501 06 40-02	HANDLEBAR	"Lower 2 piece, 3 Position"	1
12	532 18 23-98	KNOB	"Handle, Star"	2
13	532 19 79-91	CLIP	P/Cable	1
14	532 42 81-24	FASTENER	"Push, 0.250 X 0.783"	1
15	532 19 19-38	KNOB	"Handle, STANDARD"	2
16	582 59 86-01	DRIVE CABLE	"Drive, Under-bail, 21"" AWD"	1
17	587 10 04-09	GRASS BAG ASSY	"Husqvarna 21"" AWD"	1
18	586 92 91-02	BAG FRAME	Grass bag	1



## MOWER DECK / CUTTING DECK

LC221A, 96145002601, 2016-09

Ref	Part No	Description	Remark	QTY	KIT
61	532 42 79-42	NUT		2	
60	874 78 05-12	SCREW		2	
1	587 01 52-01	BOLT	"Handle, Pivot, 5/16-18"	2	
2	589 19 78-02	HANDLEBAR BRACKET	"Adjustable Handle, Right"	1	
3	587 59 99-01	NUT	"Serrated Flange, 5/16-18"	2	
4	587 25 06-01	SPRING	"Right, Door"	1	
5	586 13 80-01	DOOR	Rear	1	
6	532 41 32-84	NUT	"Flanged, 3/8-16"	2	
7	587 24 98-01	SPRING	"Left, Door"	1	
8	589 19 76-02	HANDLEBAR BRACKET	"Adjustable Handle, Left"	1	
9	587 19 89-01	BOLT	Pivot. 3/8-16	2	
10	587 28 11-01	SCREW	"Hi-Lo, 5/16-14 X T-45"	3	
11	817 00 05-10	BOLT	"Hex, 5/16"	2	
12	586 92 27-01	MULCHING PLUG		1	
13	586 13 75-01	INSERT	Rear	1	
14	586 69 88-01	GUARD	Rear	1	
15	587 43 82-01	SCREW	"Hi-Lo, 5/16-14 X 4.10"	1	
16	581 12 76-01	SCREW	1/4-20 Tri-lobe	8	
17	586 92 01-11	HEIGHT ADJUSTER	"4-Point, Left Rear"	1	
18	581 84 04-01	DUST COVER	Wheel	4	
19	532 19 74-80	O-RING		4	
20	532 06 77-25	WASHER	1/2 X 1-1/2 X .134	4	
21	532 40 48-35	PINION	"14 Tooth, AWD"	4	
22	812 00 00-58	E-CLIP	"7/16, RE-Style"	4	
23	580 36 53-01	WHEEL	"8 X 2, AWD"	4	
24	532 40 91-48	NUT	"Hex Flange, 3/8-16"	4	
25	532 41 97-35	HOSE FITTING	Blue	1	60
26	501 45 78-01	HOUSING ASSY	"21"" AWD"	1	
27	584 29 94-01	SCREW EHHFT	"Hi-Lo, 5/16 X 1.00"	4	
28	532 41 55-85	LOCKWASHER	Star	1	60
29	532 41 55-86	LOCKING NUT	Hex	1	60
30	589 29 10-02	BRACKET	"Idler, AWD"	1	
31	587 96 92-01	PULLEY	Idler	1	
32	581 12 76-01	SCREW	1/4-20 Tri-lobe	1	
33	586 69 86-01	BAFFLE	Front	1	
34	817 00 05-10	BOLT	"Hex, 5/16"	2	
35	587 59 98-01	SCREW	"Hi-Lo, 13-16 X.750"	2	
36	586 56 04-01	BELT COVER	Belt/Rear Baffle	1	
37	580 36 46-09	BELT	"Drive, AWD"	1	
38	586 96 30-01	PULLEY	"Transmission, AWD"	1	
39	532 16 34-09	SCREW	"12 X 5/8, Hi/Lo Thread"	2	
40	581 15 25-02	BRACKET	Rear Transmission	1	
41	586 96 30-01	PULLEY	AWD	1	
42	586 13 76-01	TRANSMISSION	"AWD, Rear"	1	
43	532 40 48-45	PAWL, DRIVE	Drive	2	
44	587 08 10-01	STRIPPER	Stripper	1	
45	587 59 98-01	SCREW	"Hi-Lo, 13-16 X.750"	1	
46	581 72 61-01	BOLT	"Shoulder, 1/4-20 Tri-lobe"	1	
47	584 29 94-01	SCREW EHHFT	"Hi-Lo, 5/16 X 1.00"	1	
48	586 13 78-01	TRANSMISSION	"AWD, Front"	1	
49	587 43 82-01	SCREW	"Hi-Lo, 5/16-14 X 4.10"	1	
50	532 40 48-45	PAWL, DRIVE	Drive	2	
51	586 71 37-01	FRONT COVER ASSY	"Drive, AWD, Husqvarna "	1	
52	587 14 73-01	STRAP	Height adjuster bracket	2	
53	581 35 13-01	SPRING	Rear Transmission	1	
54	532 70 10-37	KNOB	Ergonomic	4	
55	586 92 01-09	HEIGHT ADJUSTER	Right Rear	1	
56	586 92 01-09	HEIGHT ADJUSTER	Left Front	1	
57	586 92 01-11	HEIGHT ADJUSTER	Right Front	1	
58	587 97 30-01	PULLEY		2	
59	581 33 45-01	BOLT		2	