

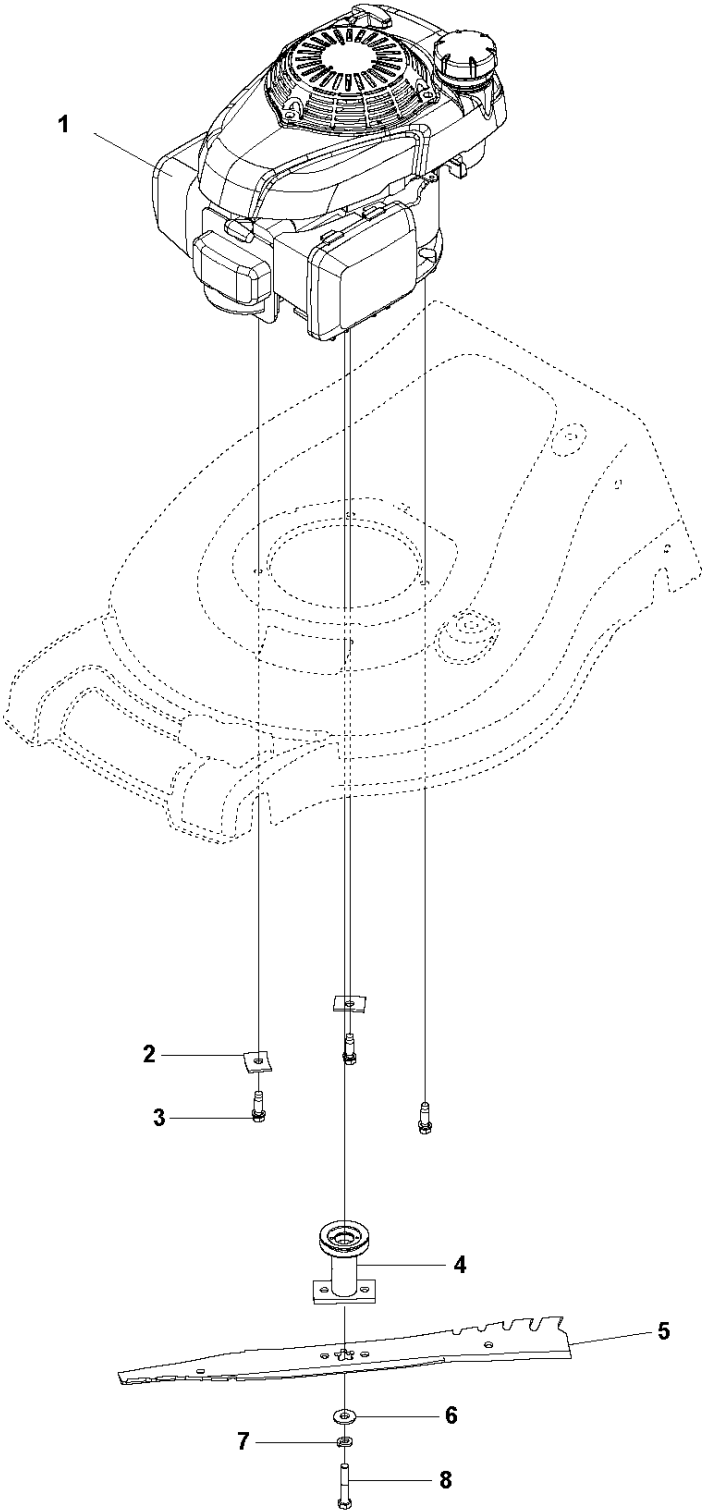


SPARE PARTS LIST

LAWN MOWERS: CONSUMER
WALK-BEHINDS

LC221RH, 96145003200, 2016-09

C LC221RH
ENGINE

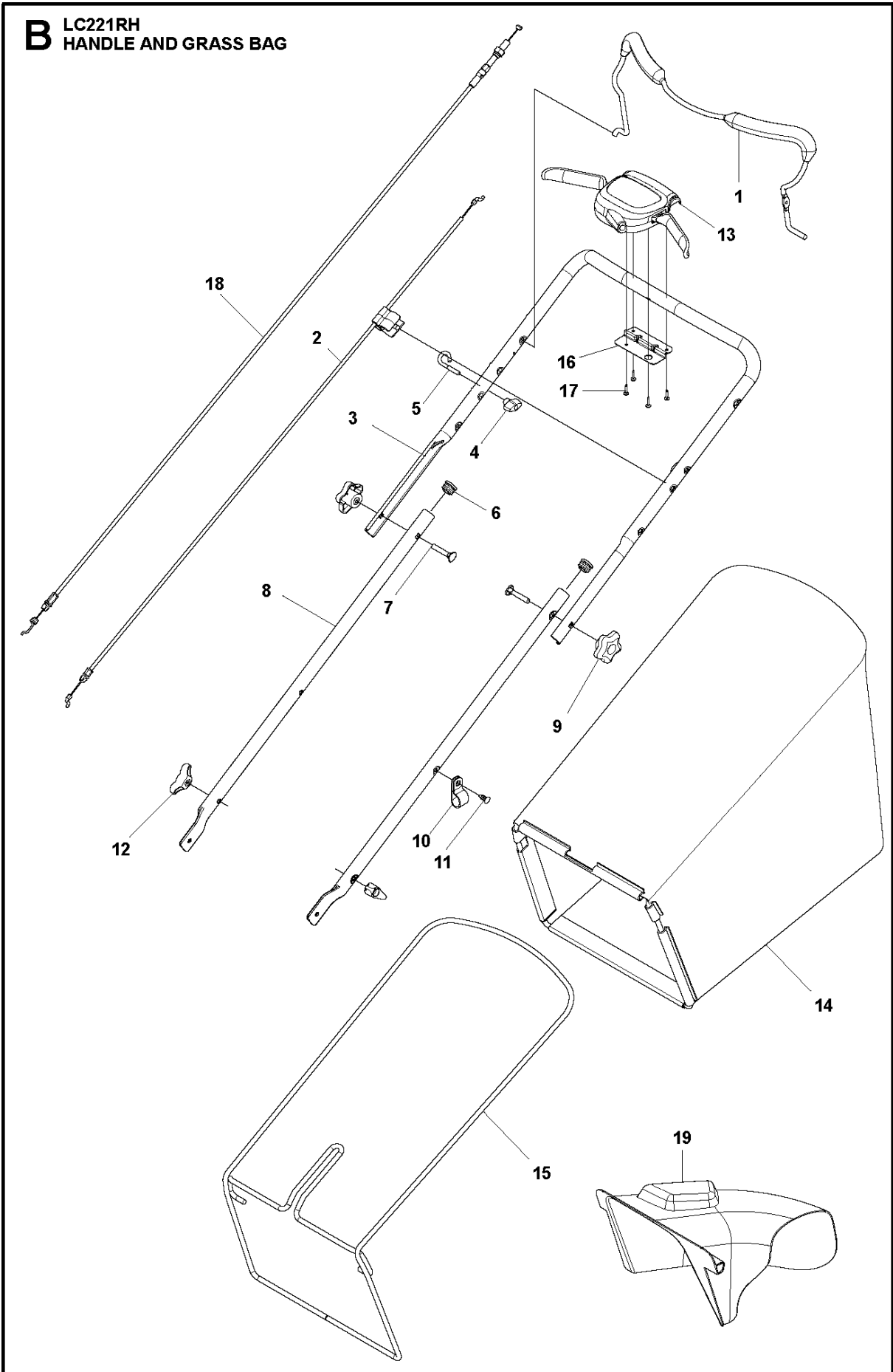


ENGINE

LC221RH, 96145003200, 2016-09

Ref	Part No	Description	Remark	QTY KIT
1	000 00 00-00	W/O DESCRIPTION	HONDA GCV160-LAOS3B FOR SERVICE & PARTS 1-800-426-7701	1
2	532 12 50-78	WASHER	Engine	2
3	532 15 04-06	BOLT	"3/8 16""	3
4	582 89 01-01	ADAPTER	"7/8, 21""	1
5	586 85 96-02	BLADE	High Lift	1
6	532 85 10-74	WASHER		1
7	532 85 02-63	WASHER	"3/8, Helical Spring"	1
8	582 38 84-01	BOLT	Hex Head Machine Screw	1

B LC221RH
HANDLE AND GRASS BAG

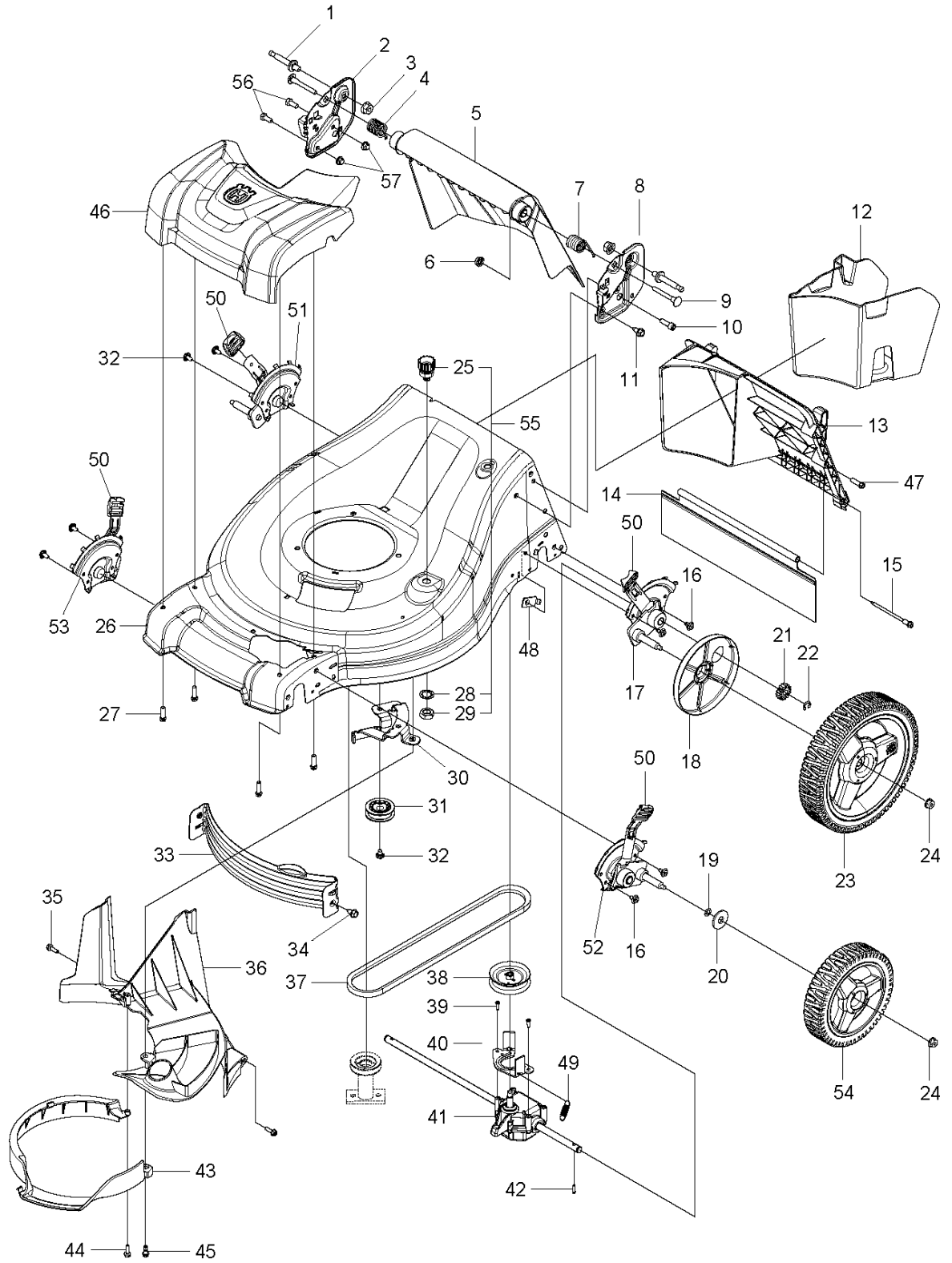


HANDLE

LC221RH, 96145003200, 2016-09

Ref	Part No	Description	Remark	QTY KIT
1	587 68 93-02	BAIL ARM ASSY	"Over-molded, Operator Precence"	1
2	532 42 74-97	CABLE	Operator Presence Bail	1
3	580 63 87-06	HANDLE	Straight	1
4	581 91 26-01	KNOB	"T, Rope Guide"	1
5	581 90 21-01	GUIDE	Rope	1
6	532 43 75-16	PLUG	"Plastic, 7/8, 14-20 Gauge"	2
7	588 04 04-01	BOLT	"Concave Head, Retaining"	2
8	501 06 40-02	HANDLEBAR	"Lower 2 piece, 3 Position"	1
9	532 18 23-98	KNOB	"Handle, Star"	2
10	532 19 79-91	CLIP	P/Cable	1
11	532 42 81-24	FASTENER	"Push, 0.250 X 0.783"	1
12	532 19 19-38	KNOB	"Handle, Wing"	2
13	587 42 00-07	CONTROL		1
14	587 10 04-08	GRASS BAG ASSY	"Husqvarna 21""	1
15	586 92 91-02	BAG FRAME		1
16	587 24 93-02	BACKPLATE	Drive Control	1
17	532 18 16-98	SCREW		3
18	587 42 11-02	CABLE	"21""	1
19	582 26 19-01	CHUTE		1

A LC221RH
DECK



MOWER DECK / CUTTING DECK

LC221RH, 96145003200, 2016-09

Ref	Part No	Description	Remark	QTY	KIT
1	587 01 52-01	BOLT	"Handle, Pivot, 5/16-18"	2	
2	589 19 78-02	HANDLEBAR BRACKET	"Adjustable Handle, Right"	1	
3	587 59 99-01	NUT	"Serrated Flange, 5/16-18"	2	
4	587 25 06-01	SPRING	"Right, Door"	1	
5	586 13 80-01	DOOR	Rear	1	
6	532 41 32-84	NUT	"Flanged, 3/8-16"	2	
7	587 24 98-01	SPRING	"Left, Door"	1	
8	589 19 76-02	HANDLEBAR BRACKET	"Adjustable Handle, Left"	1	
9	587 19 89-01	BOLT	Pivot. 3/8-16	2	
10	587 28 11-01	SCREW	"Hi-Lo, 5/16-14 X T-45"	2	
11	817 00 05-10	BOLT	"Hex, 5/16"	1	
12	586 92 27-01	MULCHING PLUG		1	
13	586 13 75-01	INSERT	Rear	1	
14	586 69 88-01	GUARD	Rear	1	
15	587 43 82-01	SCREW	"Hi-Lo, 5/16-14 X 4.10"	1	
16	581 12 76-01	SCREW	1/4-20 Tri-lobe	8	
17	582 26 18-02	HEIGHT ADJUSTER	"4-Point, Left Rear"	1	
18	587 25 17-01	DUST COVER	Wheel	2	
19	532 19 74-80	O-RING		2	
20	532 06 77-25	WASHER	1/2 X 1-1/2 X .134	2	
21	587 23 24-01	PINION	"14 Tooth, AWD"	2	
22	812 00 00-58	E-CLIP	"7/16, RE-Style"	2	
23	501 06 70-02	WHEEL ASSY	"8 X 2, AWD"	2	
24	532 40 91-48	NUT	"Hex Flange, 3/8-16"	4	
25	532 41 97-35	HOSE FITTING	Blue	1	55
26	501 45 78-01	HOUSING ASSY	"21"" RGD"	1	
27	584 29 94-01	SCREW EHHFT	"Hi-Lo, 5/16 X 1.00"	4	
28	532 41 55-85	LOCKWASHER	Star	1	55
29	532 41 55-86	LOCKING NUT	Hex	1	55
30	588 06 22-02	BRACKET	"Idler, AWD"	1	
31	587 96 92-01	PULLEY	"Pulley, Idler"	1	
32	581 12 76-01	SCREW	1/4-20 Tri-lobe	1	
33	586 69 86-01	BAFFLE	Front	1	
34	817 00 05-10	BOLT	"Hex, 5/16"	2	
35	587 59 98-01	SCREW	"Hi-Lo, 13-16 X.750"	2	
36	586 56 04-01	BELT COVER	Belt/Rear Baffle	1	
37	580 36 46-08	BELT	"Drive, RWD"	1	
38	586 96 30-01	PULLEY	"Transmission, RWD"	1	
39	532 16 34-09	SCREW	"12 X 5/8, Hi/Lo Thread"	2	
40	589 31 83-02	BRACKET	Rear Transmission	1	
41	586 13 76-01	TRANSMISSION	Rear	1	
42	532 40 48-45	PAWL, DRIVE	Drive	2	
43	587 08 10-01	STRIPPER	Stripper	1	
44	587 59 98-01	SCREW	"Hi-Lo, 13-16 X.750"	1	
45	581 72 61-01	BOLT	"Shoulder, 1/4-20 Tri-lobe"	1	
46	586 71 37-03	FRONT COVER ASSY	"Drive, AWD, Husqvarna "	1	
47	587 28 11-01	SCREW	"Hi-Lo, 5/16 X 1.00"	1	
48	587 14 73-01	STRAP	Height Adjuster bracket	2	
49	581 35 13-01	SPRING	Rear Transmission	1	
50	532 70 10-37	KNOB	Ergonomic	4	
51	582 26 18-01	HEIGHT ADJUSTER	"4-Point, Right Rear"	1	
52	586 92 01-13	HEIGHT ADJUSTER	"4-Point, Left Front"	1	
53	586 92 01-15	HEIGHT ADJUSTER	"4-Point, Right Front"	1	
54	532 41 08-31	WHEEL	8 X 1.75	2	
55	532 42 11-14	WATER CONNECTOR	Kit	1	"25, 28, 29"
56	874 78 05-12	SCREW		2	
57	532 42 79-42	NUT		2	