



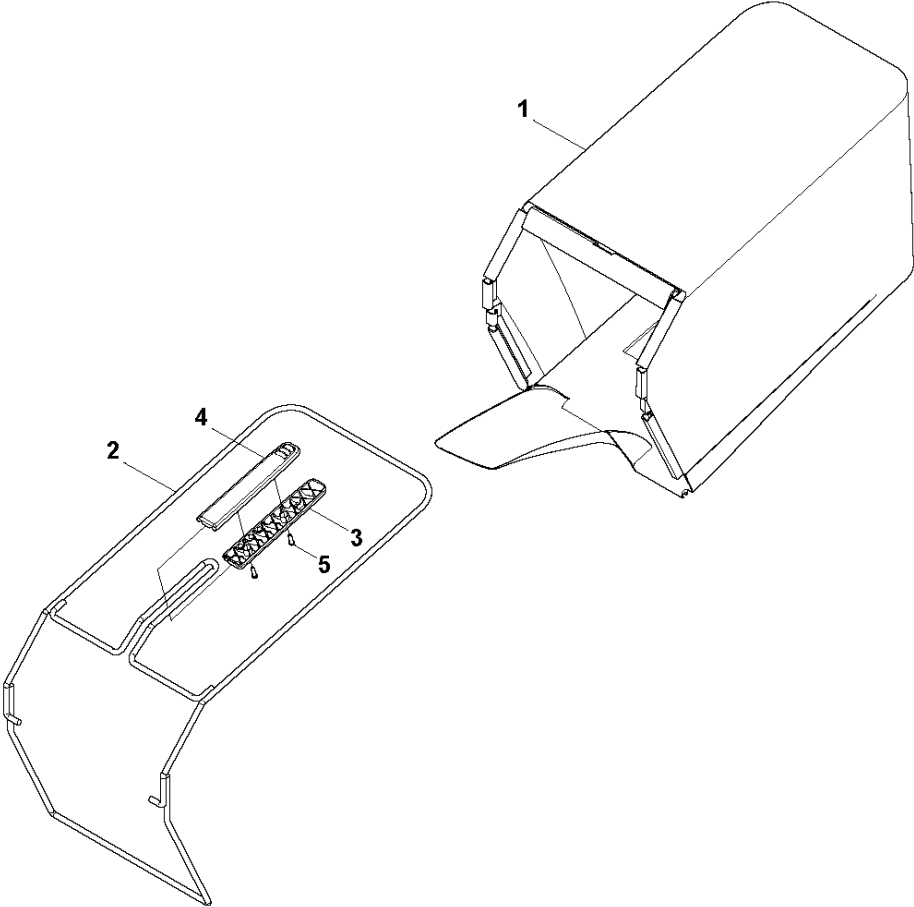
SPARE PARTS LIST

LAWN MOWERS: CONSUMER
WALK-BEHINDS

LC247, 967345201, 2016-11

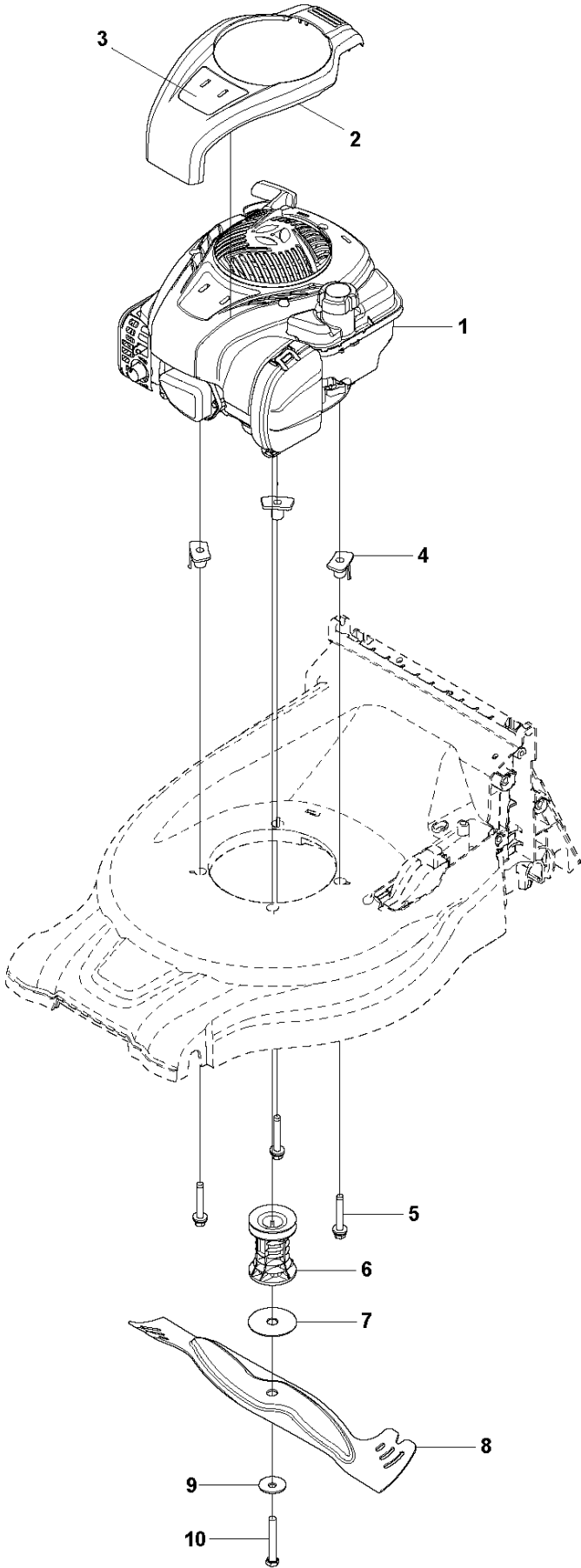
D LC247 LC247S LC247SP

COLLECT PARTS



Ref	Part No	Description	Remark	QTY KIT
1	587 29 23-01	GRASSBAG		1
2	587 18 20-01	FRAME		1
3	588 18 85-02	HANDLE		1
4	588 18 84-02	HANDLE		1
5	502 43 53-01	SCREW ITPANT		1

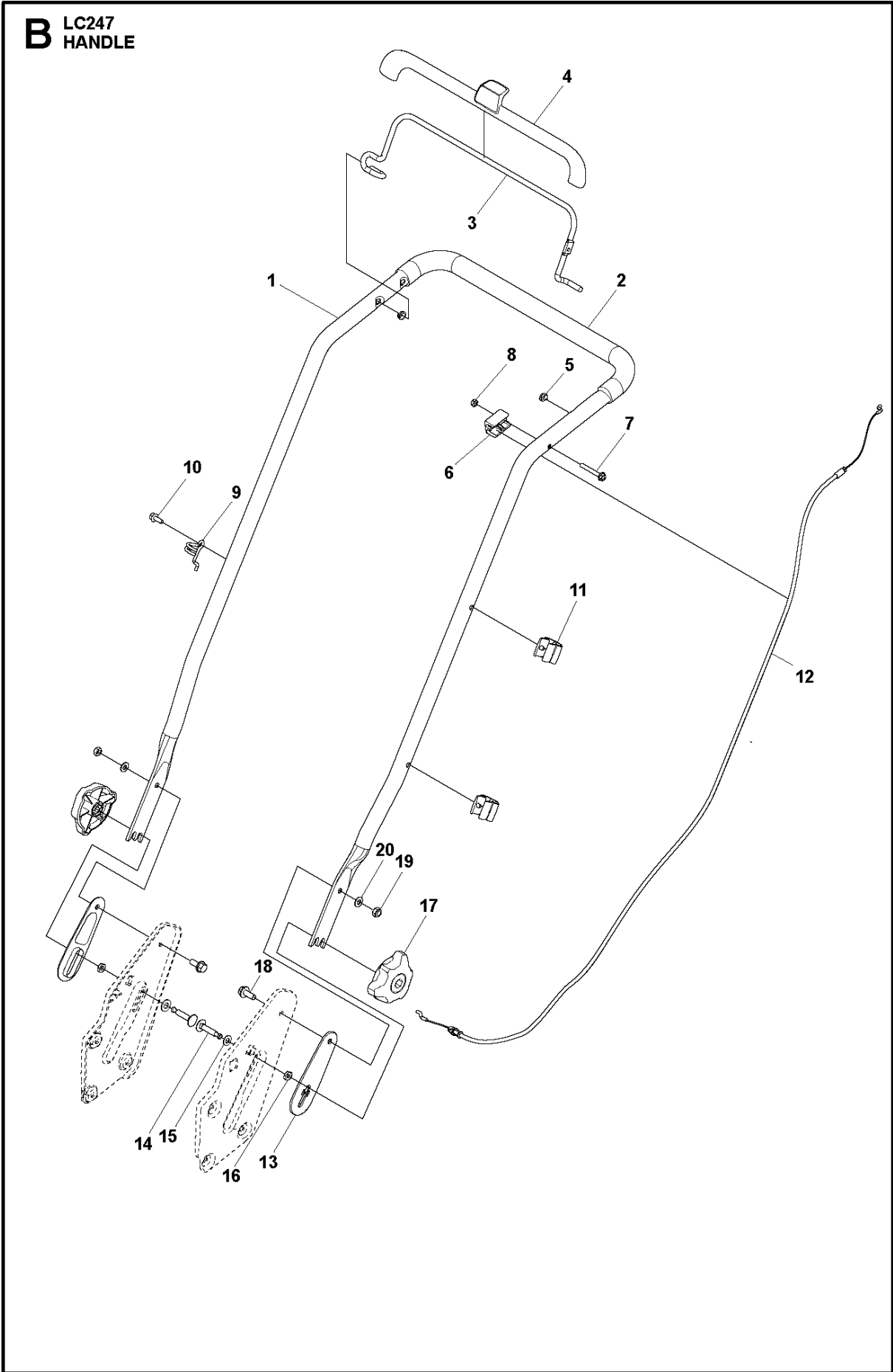
C LC247
Engine



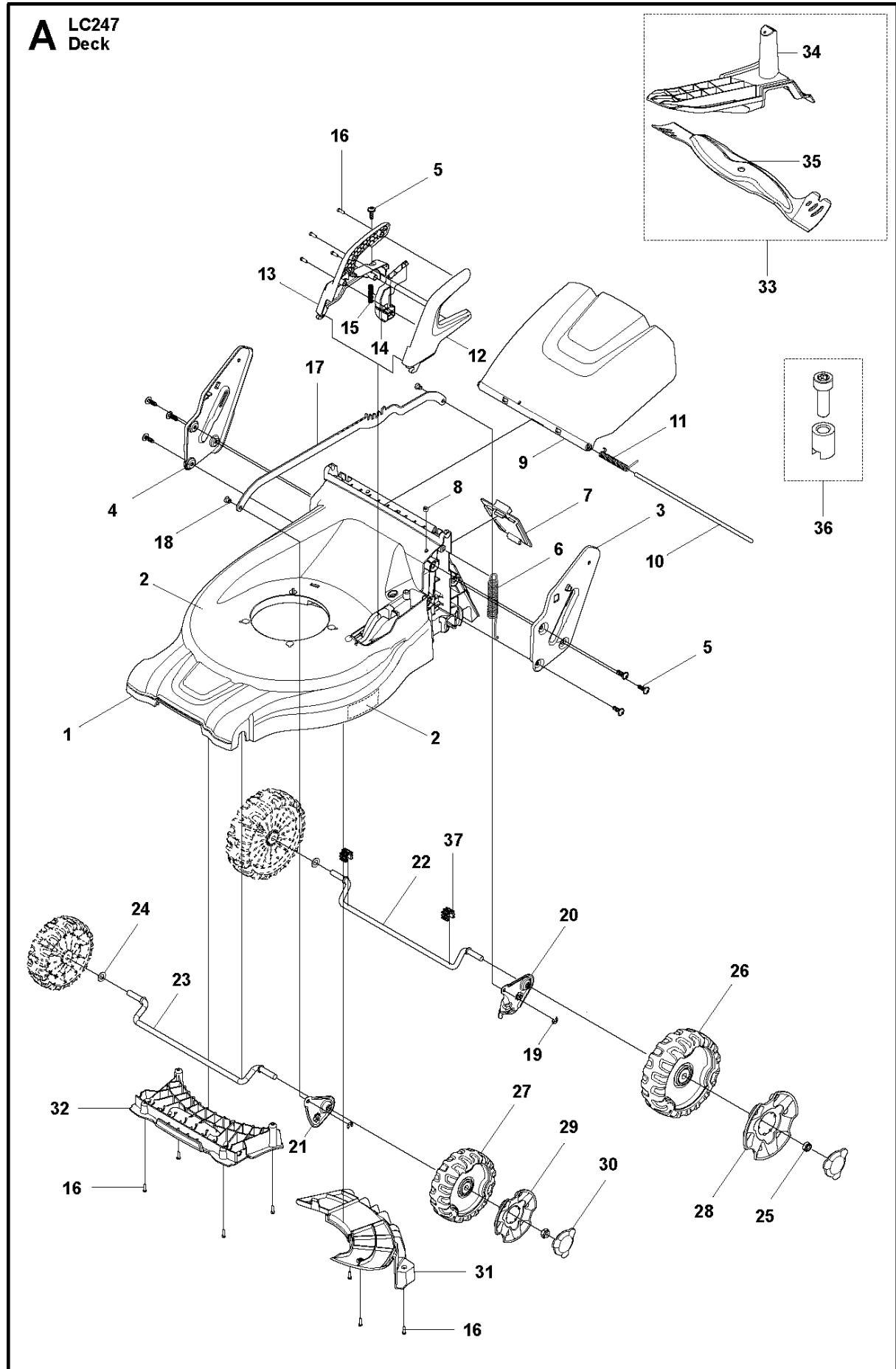
ENGINE

LC247, 967345201, 2016-11

Ref	Part No	Description	Remark	QTY KIT
1	588 63 88-01	ENGINE		1
2	588 87 87-01	SHROUD		1
3	588 88 85-01	DECAL		1
4	578 29 51-01	SLEEVE		3
5	578 29 48-01	SCREW EHHFT		3
6	588 64 57-01	BLADE SUPPORT		1
7	503 25 94-01	WASHER		1
8	588 27 55-10	MOWER BLADE		1
9	503 33 25-01	SPRING		1
10	504 45 64-03	SCREW EHHI		1



Ref	Part No	Description	Remark	QTY KIT
1	582 81 81-02	HANDLE		1
2	501 11 01-01	TUBE		1
3	587 10 17-02	BAIL		1
4	587 10 25-02	GRIP		1
5	503 32 09-01	BUSHING		2
6	531 20 80-43	BRACKET		1
7	535 47 52-45	SCREW EHHFM		1
8	732 25 16-01	HEXAGON LOCKING NUT		1
9	587 10 27-01	EYELET		1
10	725 23 68-61	SCREW EHHFT		1
11	579 13 46-01	CABLE HOLDER		2
12	582 10 53-01	WIRE		1
13	587 78 04-01	WASHER		2
14	588 15 73-02	BOLT		2
15	588 15 74-01	WASHER		2
16	731 43 18-01	HEXAGON THIN NUT		2
17	587 23 72-01	KNOB		2
18	506 57 01-04	SCREW EHHFM		2
19	732 21 18-01	LOCK NUT		2
20	734 18 20-51	WASHER		2



MOWER DECK / CUTTING DECK

LC247, 967345201, 2016-11

Ref	Part No	Description	Remark	QTY	KIT
1	587 15 10-03	CHASSIS		1	
2	584 80 53-01	LABEL		2	
3	587 21 21-02	HANDLE SUPPORT		1	
4	587 21 23-02	HANDLE SUPPORT		1	
5	578 17 58-02	SCREW ITXPANT		7	
6	587 67 44-01	SPRING		1	
7	587 09 54-02	COVER		1	
8	579 31 74-01	STRAP		1	
9	587 10 14-03	HATCH		1	
10	586 98 46-01	AXLE		1	
11	587 10 15-01	SPRING		1	
12	587 20 37-01	COVER HALF		1	
13	587 20 38-01	COVER HALF		1	
14	587 69 74-01	BUTTON		1	
15	589 59 76-01	SPRING		1	
16	502 43 53-01	SCREW ITXPANT		11	
17	587 16 08-01	ROD		1	
18	587 68 70-01	SHAFT		2	
19	735 31 12-20	E-CLIP		2	
20	587 67 43-01	LINK ARM		1	
21	587 07 24-01	LINK ARM		1	
22	587 07 26-01	WHEEL AXLE		1	
23	587 07 26-02	WHEEL AXLE		1	
24	577 09 28-01	WASHER		2	
25	587 99 09-01	NUT		4	
26	584 61 16-03	WHEEL ASSY		2	
27	587 63 15-01	WHEEL ASSY		2	
28	584 15 93-01	HUB CAP		2	
29	587 63 27-01	HUB CAP		2	
30	584 15 94-01	NUT CAP		4	
31	587 19 99-02	BELT COVER		1	
32	588 20 27-01	SKID PLATE		1	
33	589 21 48-01	MULCH KIT		1	
34	587 70 27-01	MULCH PLUG		1	33
35	588 27 57-01	MOWER BLADE		1	33
36	589 01 87-01	THREAD INSERT		1	
37	583 05 50-01	DISTANCE		1	