

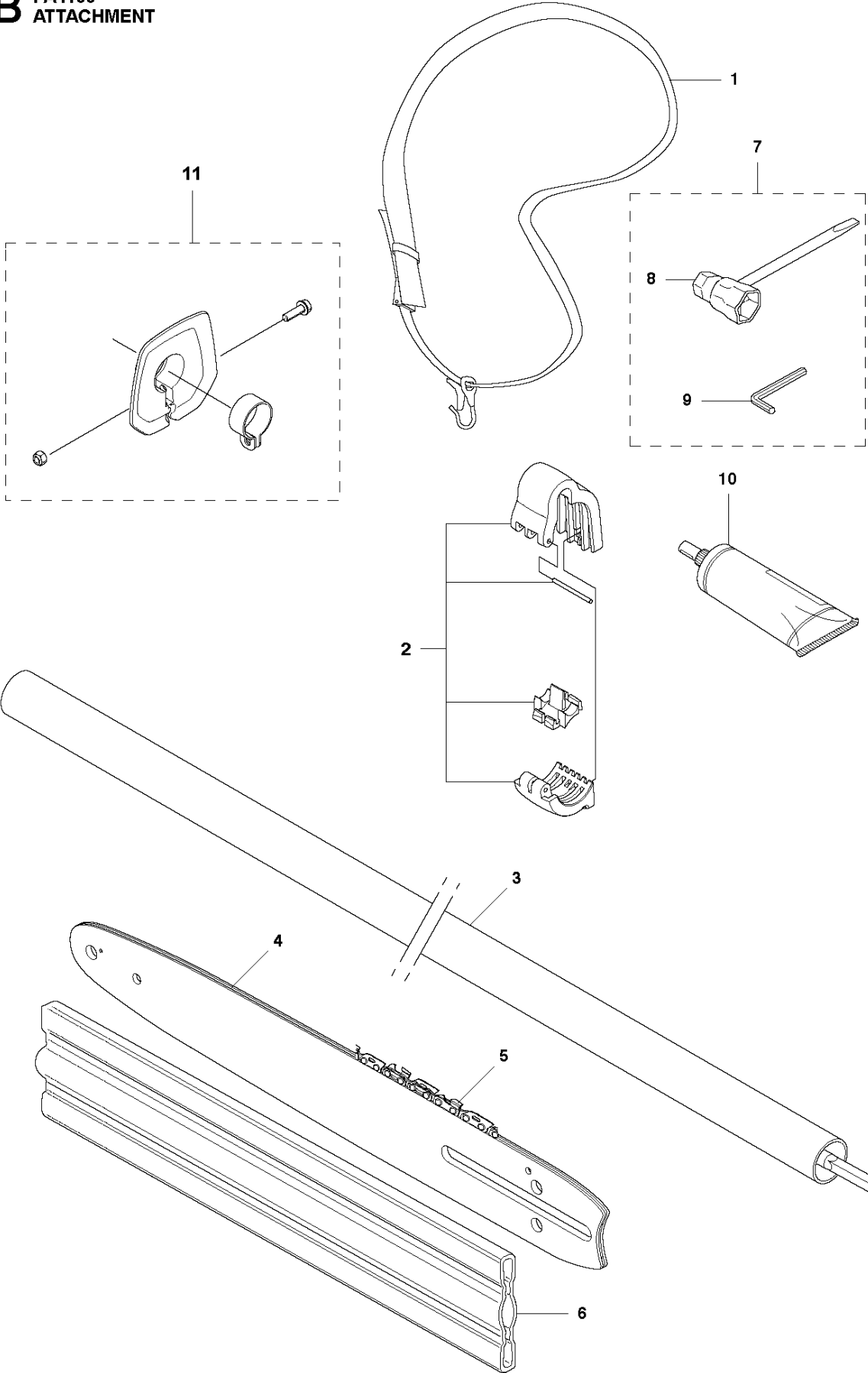


# SPARE PARTS LIST

ACCESSORIES AND TOOLS

POLE SAW ATTACHMENT PA1100  
(537183323, 537183325)

**B** PA1100 ATTACHMENT

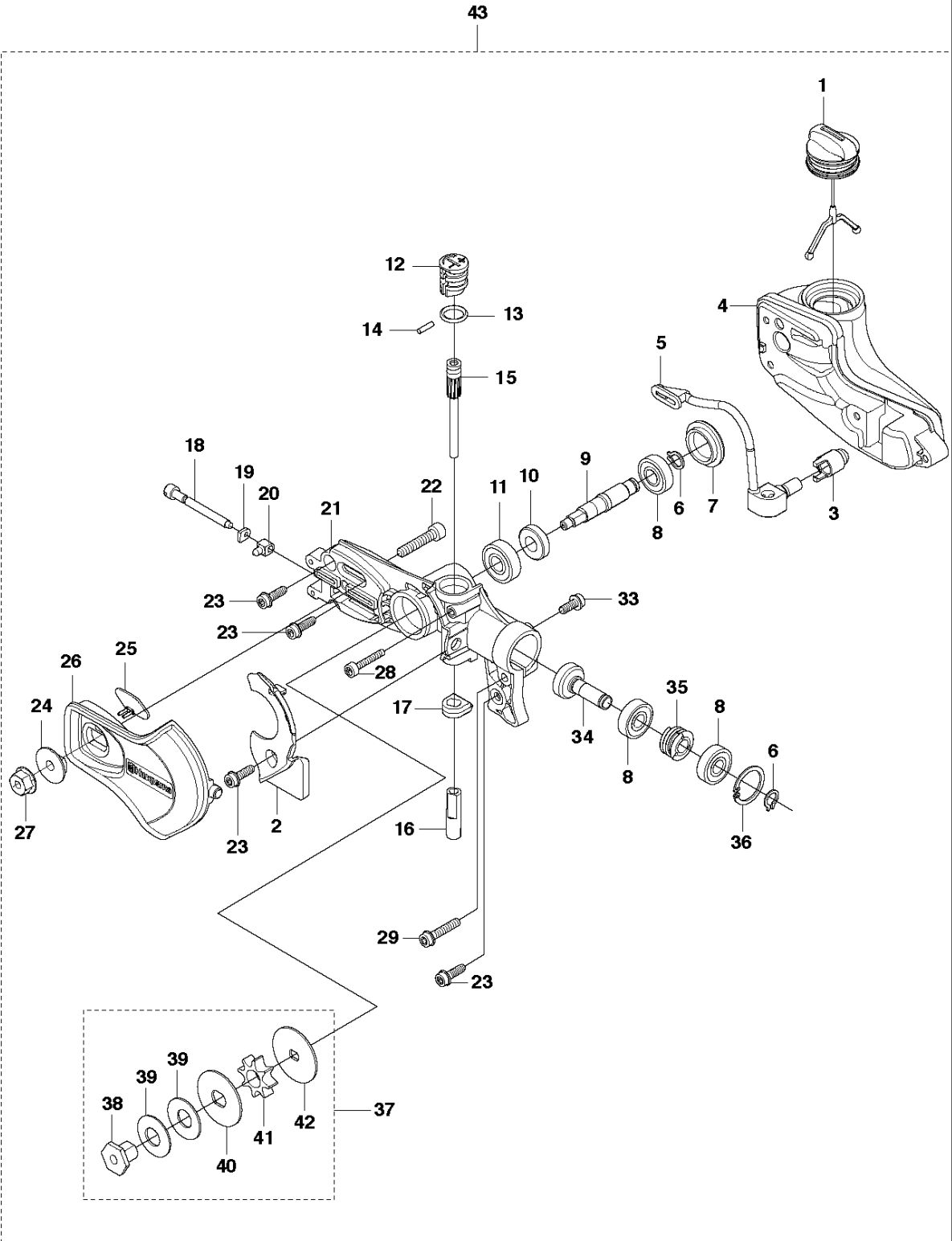


## ATTACHMENTS

## POLE SAW ATTACHMENT PA1100 (537183323, 537183325)

Ref	Part No	Description	Remark	QTY	KIT
1	537 21 62-01	HARNES		1	
2	537 35 36-01	LOOP		1	
3	587 97 21-02	TUBE ASSY		1	
4	575 84 22-58	BAR	"10", 1/4" - 1,3 mm"	1	
4	575 84 22-64	BAR	"12", 1/4" - 1,3 mm"	1	
4	585 82 91-44	BAR	"12", 3/8", mini 1,3"	1	
5	501 84 40-58	SAW CHAIN	"10", 1/4" - 1,3mm. 58DL"	1	
5	501 84 40-64	SAW CHAIN	"12", 1/4" - 1,3 mm. 64DL"	1	
5	501 84 70-44	SAW CHAIN	"12", 3/8", mini 1,3"	1	
6	537 12 99-01	BAR GUARD		1	
7	537 04 07-10	ACCESSORY BAG		1	
8	501 69 17-01	COMBINATION WRENCH		1	7
9	502 21 58-01	L-NYCKEL		1	7
10	579 06 49-01	GREASE		1	
11	579 48 86-01	HAND GUARD ASSY		1	

**A** PA1100  
SAW HEAD



## SAW HEAD

## POLE SAW ATTACHMENT PA1100 (537183323, 537183325)

Ref	Part No	Description	Remark	QTY	KIT
1	505 41 52-01	TANK CAP ASSY		1	43
2	525 61 31-01	COVER		1	43
3	510 04 43-01	OIL SCREEN		1	43
4	577 66 70-01	OIL TANK		1	43
5	525 49 06-01	OIL HOSE		1	43
6	735 31 11-00	CIRCLIP		2	43
7	574 82 98-01	COVER		1	43
8	738 21 99-04	BALL BEARING		3	43
9	525 49 04-01	SHAFT		1	43
10	575 35 56-01	GEAR WHEEL		1	43
11	738 21 00-04	BALL BEARING		1	43
12	525 48 16-01	KNOB		1	43
13	740 43 10-14	O-RING		1	43
14	503 24 09-11	NEEDLE ROLLER		1	43
15	540 05 79-01	PUMP PISTON		1	43
16	537 15 48-01	PUMP CYLINDER		1	43
17	576 39 59-01	FASTENER		1	43
18	501 81 92-01	SCREW		1	43
19	501 45 27-02	LOCK NUT		1	43
20	501 45 41-01	NUT		1	43
21	523 85 37-02	GEAR HOUSING		1	43
22	576 83 10-01	SCREW IHSCM		1	43
23	573 92 58-01	SCREW ITXSCFT		3	43
24	525 49 07-01	BUSHING		1	43
25	574 40 47-01	RUBBER		1	43
26	525 48 14-01	COVER		1	43
27	503 22 00-07	HEXAGON NUT		4	43
28	525 76 09-05	SCREW ITXSCM		1	43
29	525 75 51-04	SCREW ITXSCFM		1	43
33	525 75 51-05	SCREW ITXSCFM		1	43
34	575 35 55-01	PINION		1	43
35	525 48 97-01	WORM GEAR		1	43
36	735 31 25-10	CIRCLIP		1	43
37	585 48 31-01	SPROCKET	"for 1/4"" Chain"	1	43
37	585 48 31-02	SPROCKET	"for 3/8"" chain" (US only)	1	43
38	580 76 04-01	NUT		1	37, 43
39	581 12 61-01	DISC SPRING		2	37, 43
40	585 84 19-02	WASHER		1	37, 43
41	580 76 05-01	SPUR SPROCKET	"for 1/4"" Chain"	1	37, 43
41	581 10 00-01	SPUR SPROCKET	"for 3/8"" chain" (US only)	1	37, 43
42	585 84 19-01	WASHER		1	43
43	575 78 43-06	POLE SAW HEAD	"for 1/4"" Chain"	1	
43	575 78 43-07	POLE SAW HEAD	"for 3/8"" chain" (US only)	1	

# Illustrated Parts List - IPL Update



Product Name(s)

**PA1100 (Husqvarna)**

Description of change

Hand guard assy was added.

Comments

Backward compatible

Introduced from

<b>Serial number / Date</b>	<b>Remark</b>
2016-10	

IPL updates

<b>Page title</b>	<b>Ref. no</b>	<b>New part no</b>	<b>Name</b>	<b>Excl. part no.</b>	<b>Remark</b>
Attachment	11	579 48 86-01	Hand guard assy	N/A	<b>New</b>