

ILLUSTRATED PARTS LIST

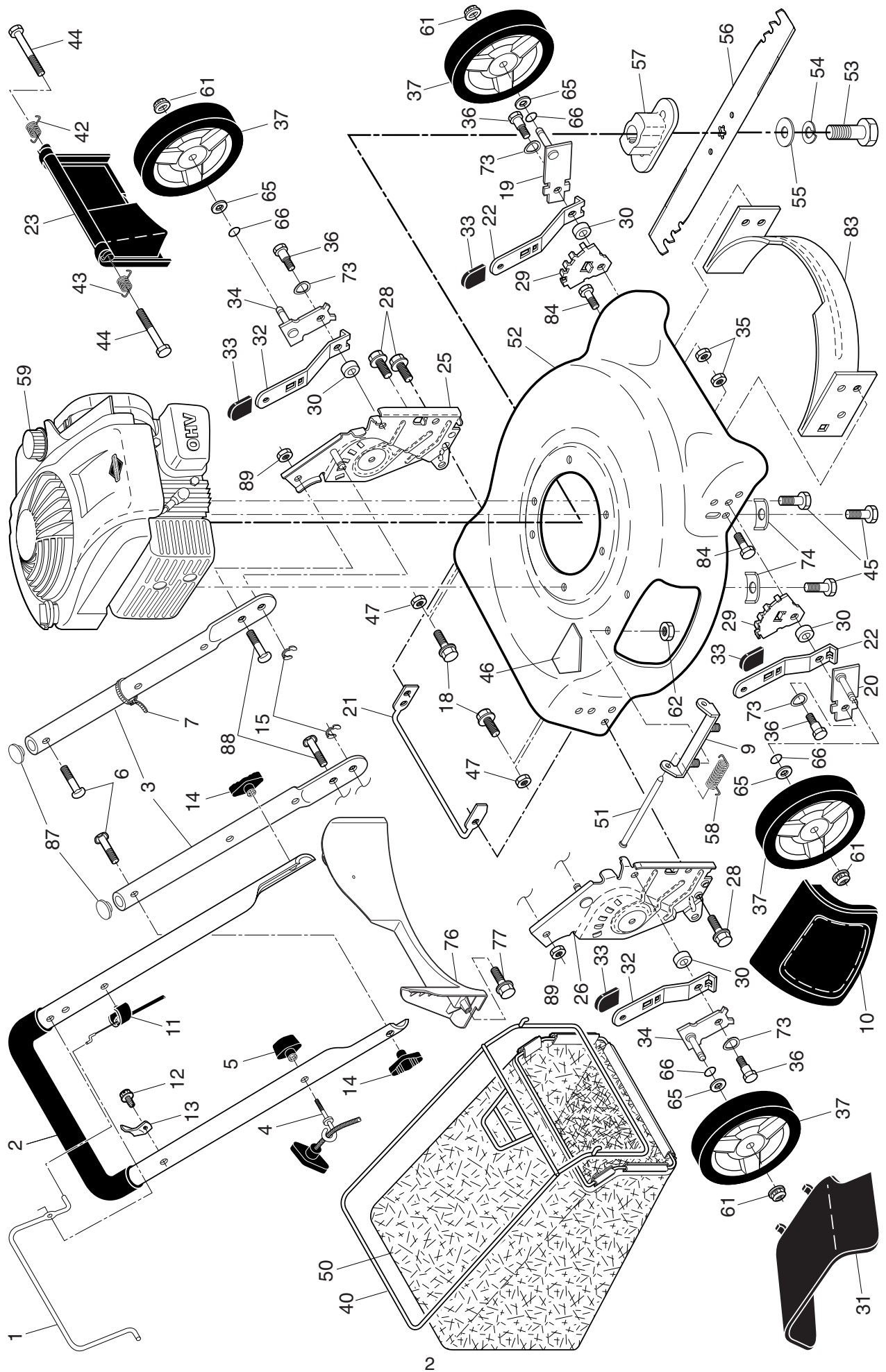


ROTARY LAWN MOWER

MODEL NUMBER: LC 153-HD

MFG. ID. NUMBER: 96131003900

HUSQVARNA ROTARY LAWN MOWER -- MODEL NUMBER LC 153-HD (MFG. ID. NUMBER 96131003900)



HUSQVARNA ROTARY LAWN MOWER - - MODEL NUMBER LC 153-HD (MFG. ID. NUMBER 96131003900)

KEY NO.	PART NO.	DESCRIPTION	KEY NO.	PART NO.	DESCRIPTION
1	532 19 72-03	Control Bar, Molded	43	532 40 54-23	Spring, RH
2	586 73 76-02	Upper Handle Assembly (Includes Foam Grip)	44	532 18 41-93	Bolt, Rear Door
3	580 63 86-03	Bar, Lower Handle	45	532 15 04-06	Screw, Hex Head, Threaded, Rolled 3/8-16 x 1
4	581 90 21-01	Rope Guide	46	532 18 21-66	Danger Decal
5	581 91 26-01	T-Knob	47	873 80 05-00	Nut, Hex
6	532 19 15-74	Handle Bolt	50	581 00 21-12	Grassbag
7	532 06 64-26	Wire Tie	51	532 14 72-86	Hinge Rod
9	532 15 41-32	Hinge Bracket	52	581 70 83-22	Kit, Housing (Includes Key Number 46)
10	581 82 58-01	Mulcher Door	53	532 85 10-84	Screw, Hex Head, Grade 8, 3/8-24 x 1-3/8
11	532 44 09-34	Engine Zone Control Cable	54	532 85 02-63	Helical Lockwasher
12	532 17 88-48	Screw, Hex Washer Head #10-16 x 5/8	55	532 85 10-74	Hardened Washer
13	532 43 00-34	Up-Stop Bracket	56	532 19 93-77	21" Blade
14	532 19 19-38	Handle Knob	57	581 54 79-01	Blade Adapter
15	812 00 00-32	Klip Ring	58	532 15 21-24	Hinge Spring
18	817 60 04-06	Screw	59	- - -	Engine, Briggs & Stratton, Model Number 93J02-0090-H1 (order parts from B&S)
19	532 40 66-89	Axle Arm Assembly, Front, LH	61	532 40 91-48	Flanged Locknut
20	532 40 66-90	Axle Arm Assembly, Front, RH	62	873 80 04-00	Nut, Hex
21	532 43 61-19	Foot Guard	65	532 08 83-48	Washer, Flat
22	532 40 64-28	Selector Spring, Front	66	532 19 74-80	O-Ring
23	581 42 56-01	Rear Door Assembly	73	532 40 16-30	Washer, Curved, Cylindrical
25	581 71 45-03	Handle Bracket, LH	74	532 12 50-78	Washer, Special, Engine
26	581 71 46-03	Handle Bracket, RH	76	532 41 05-89	Baffle, Rear
28	817 06 04-10	Screw, Hex Washer Head 1/4-20 x 5/8	77	817 41 13-12	Screw, Rear Baffle
29	532 41 05-94	Wheel Adjusting Bracket, Front	83	532 42 85-01	Baffle, Front
30	532 40 16-29	Spacer	84	817 00 05-10	Screw, Hex Head 5/8-16
31	532 18 55-95	Discharge Deflector	87	532 43 75-16	Plug, Handle Bar
32	532 41 08-88	Selector Spring, Rear	88	586 21 25-01	Bolt, Carriage
33	532 08 78-77	Selector Knob	89	873 97 05-00	Nut, Hex
34	532 41 08-90	Axle Arm Assembly, Rear	- -	532 18 21-91	Warning Decal (not shown)
35	532 42 65-89	Nut, Hex	- -	581 27 63-01	Bag of Parts (Includes Key No.s 88 and 89)
36	532 40 16-38	Shoulder Bolt 5/16-18	- -	115 80 54-23	Operator's Manual, Africa
37	532 41 08-31	Wheel & Tire Assembly, 8 x 1-3/4	- -	115 80 57-56	Operator's Manual, Caspian
40	532 41 19-49	Frame, Grassbag	- -	115 80 56-72	Operator's Manual, East Euro
42	532 40 54-21	Spring, LH	- -	115 80 55-76	Operator's Manual, Mid-East
			- -	115 80 54-53	Operator's Manual, Ukrainian

NOTE: All component dimensions given in U.S. inches. 1 inch = 25.4 mm

IMPORTANT: Use only Original Equipment Manufacturer (O.E.M.) replacement parts. Failure to do so could be hazardous, damage your lawn mower and void your warranty.