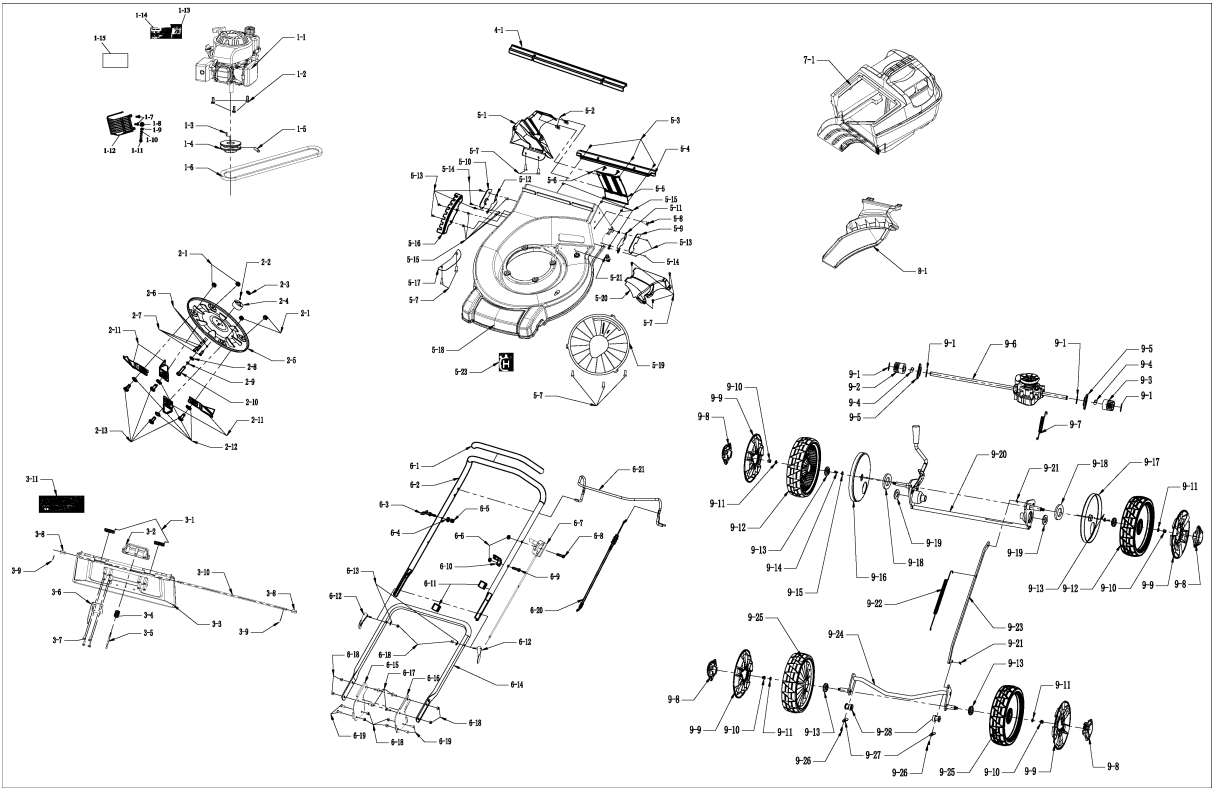




SPARE PARTS LIST

LAWN MOWERS: CONSUMER
WALK-BEHINDS

LC19 SP, 967653101, 2016-10



PRODUCT COMPLETE

LC19 SP, 967653101, 2016-10

Ref	Part No	Description	Remark	QTY KIT
1-1	#N/A	TBD	Long axis 25	1
1-2	581 40 70-01	BOLT	3/8-16*37	3
1-3	581 39 64-01	KEY	4,7	1
1-4	589 77 68-01	PULLEY	70*25*5	1
1-5	589 77 70-01	SCREW	M6*12	1
1-6	589 77 71-01	BELT	Z-737	1
1-7	581 64 22-01	BOLT		2
1-8	581 64 20-01	NUT		1
1-9	581 40 22-01	WASHER		1
1-10	581 40 17-01	WASHER		1
1-11	581 64 23-01	BOLT		1
1-12	581 64 19-01	COVER		1
1-13	581 86 03-01	LABEL		1
1-14	589 78 48-01	LABEL		1
1-15	589 78 49-01	LABEL		1
2-1	581 40 13-01	NUT	M10	4
2-2	581 39 64-01	KEY	4,7	1
2-3	585 69 30-01	LINING	25*12.7*13	1
2-4	581 39 60-01	BLADE	25_4.76_32	1
2-5	581 39 76-01	DISC	M8	1
2-6	581 40 17-01	WASHER	8	3
2-7	581 40 07-01	BOLT	M8*20	3
2-8	581 40 19-01	WASHER	diam. 10.2*diam. 21*1.5	1
2-9	581 40 17-01	WASHER	08-mar	1
2-10	585 86 98-01	BOLT	3/8-24*45 10.9	1
2-11	581 39 66-01	BLADE		4
2-12	581 39 70-01	WASHER		4
2-13	581 39 73-01	BOLT		4
3-1	581 39 96-01	SPRING		2
3-2	581 45 77-01	HANDLE		1
3-3	581 39 89-01	DEFLECTOR		1
3-4	581 45 73-01	SPRING		1
3-5	581 45 75-01	HOOK		1
3-6	581 52 70-01	BRACKET		1
3-7	585 87 04-01	BOLT	ST3.8*10	4
3-8	581 39 95-01	PIPE		2
3-9	581 40 64-01	CLIP		2
3-10	585 68 44-01	AXLE	6.0*382	1
3-11	581 86 08-01	LABEL		1
4-1	581 39 98-01	SEAL		1
5-1	589 77 72-01	COVER		1
5-2	589 77 73-01	PLATE		2
5-3	504 46 70-01	SCREW ITPANM	M5*16	3
5-4	589 77 74-01	SUPPORT		1
5-5	589 77 76-01	PLATE		1
5-6	589 77 77-01	SCREW	ST4.8*15	2
5-7	581 52 74-01	BOLT	10-24	10
5-8	589 77 78-01	PLUG		1
5-9	589 77 79-01	PLATE		1
5-10	589 77 80-01	PLATE		1
5-11	589 77 81-01	BRACKET		1
5-12	589 77 82-01	BRACKET		1
5-13	585 68 48-01	BOLT	M5*16	6
5-14	581 40 04-01	BOLT	M5*12	2
5-15	581 40 08-01	NUT	M5	11
5-16	589 77 84-01	PLATE		1
5-17	581 52 72-01	PLUG		1
5-18	589 77 85-01	CHASSIS		1
5-19	589 77 86-01	COVER		1
5-20	589 77 87-01	COVER		1
5-21	589 77 88-01	ADAPTER		1
5-23	585 69 37-01	LABEL		1
6-1	581 39 94-01	COVER	diam. 20.5*diam. 35*720	1
6-2	589 77 89-01	HANDLE		1

PRODUCT COMPLETE

LC19 SP, 967653101, 2016-10

Ref	Part No	Description	Remark	QTY KIT
6-3	581 40 26-01	ROPE		1
6-4	581 40 21-01	WASHER		1
6-5	581 40 15-01	NUT		1
6-6	581 40 09-01	NUT	M6	2
6-7	589 77 90-01	THROTTLE CABLE ASSY	1500 left without limit	1
6-8	589 77 91-01	SCREW	M6*55	1
6-9	589 77 92-01	SCREW	M6*30	1
6-10	589 77 93-01	HOLDER		1
6-11	581 40 32-01	CABLE		2
6-12	581 40 23-01	SPANNER		2
6-13	581 40 24-01	WASHER	M8	2
6-14	585 68 45-01	HANDLE		1
6-15	581 40 30-01	BRACKET		1
6-16	581 40 28-01	BRACKET		1
6-17	581 40 25-01	BOLT	M8*20	4
6-18	581 40 11-01	NUT	M8	10
6-19	581 40 07-01	BOLT	M8*20	4
6-20	589 77 96-01	CABLE		1
6-21	589 77 97-01	LEVER		1
7-1	589 77 99-01	COLLECTOR		1
8-1	589 78 01-01	MULCH PLUG		1
9-1	589 78 16-01	COTTER		4
9-2	589 78 20-01	GEAR		1
9-3	589 78 22-01	GEAR		1
9-4	589 78 23-01	PIN		2
9-5	589 78 28-01	COVER		2
9-6	589 78 29-01	GEARBOX ASSY		1
9-7	589 78 30-01	SPRING		1
9-8	589 78 32-01	COVER		4
9-9	589 78 34-01	COVER		4
9-10	581 40 11-01	NUT	M8	4
9-11	581 40 22-01	WASHER	8*16*1.6	4
9-12	589 78 36-01	WHEEL	8 in.	2
9-13	585 68 50-01	SEAL		4
9-14	581 52 74-01	BOLT	10-24	2
9-15	581 40 21-01	WASHER	6*16*2	2
9-16	589 78 37-01	COVER		1
9-17	589 78 38-01	COVER		1
9-18	589 78 39-01	WASHER	16*30*3	2
9-19	589 78 40-01	BEARING	6001	2
9-20	589 78 41-01	REAR AXLE ASSY		1
9-21	581 40 64-01	CLIP		2
9-22	585 69 26-01	SPRING		1
9-23	589 78 42-01	LINK ASSY		1
9-24	589 78 43-01	FRONT AXLE ASSY		1
9-25	589 78 44-01	WHEEL		2
9-26	581 40 14-01	BOLT	20*20	2
9-27	585 69 28-01	BRACKET		2
9-28	581 40 42-01	LINING		2