

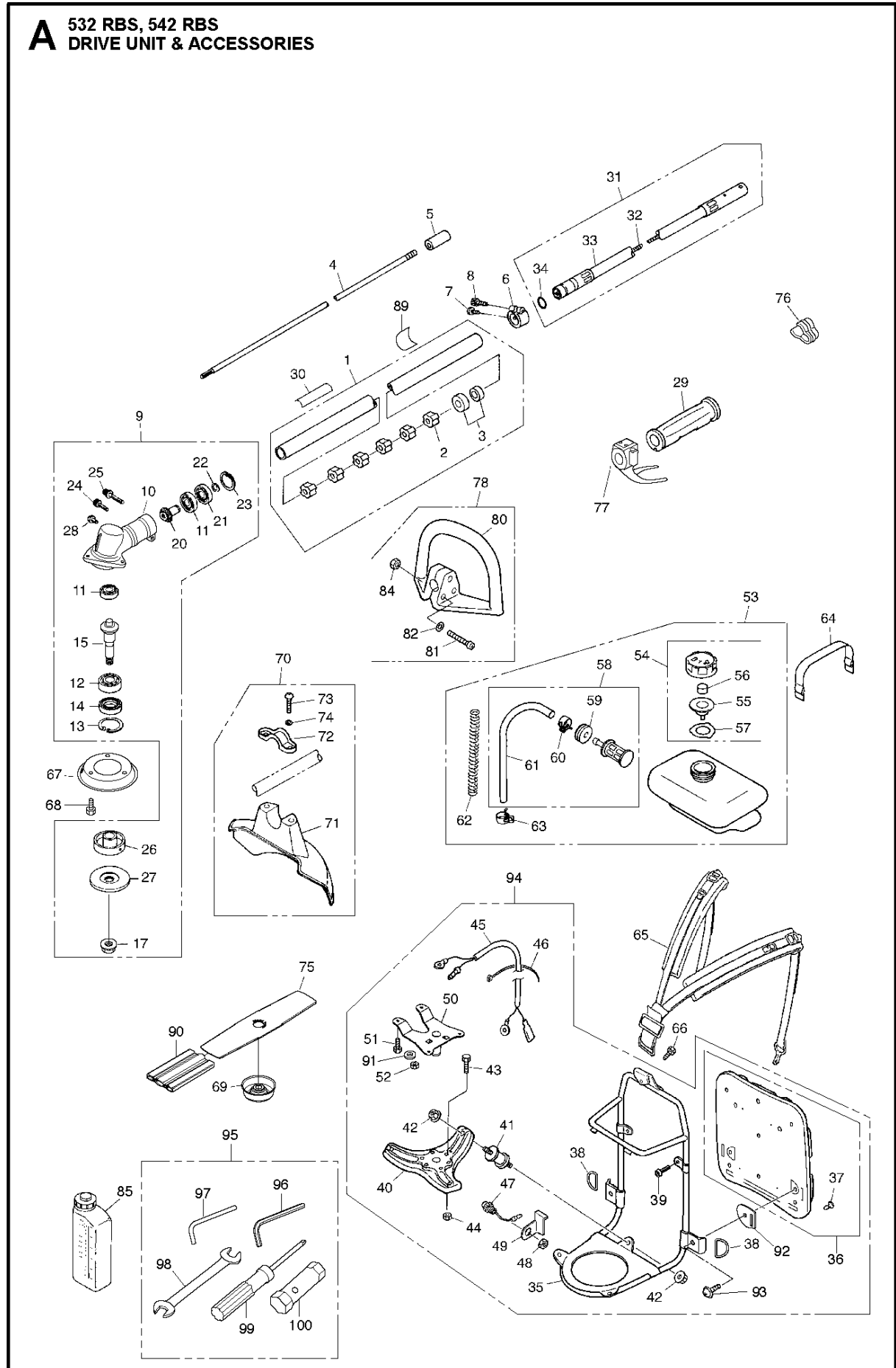


# SPARE PARTS LIST

BRUSHCUTTERS/CLEARING SAWS

532 RBS, 2015-12

**A** 532 RBS, 542 RBS  
DRIVE UNIT & ACCESSORIES



## DRIVE UNIT &amp; ACCESSORIES

532 RBS, 2015-12

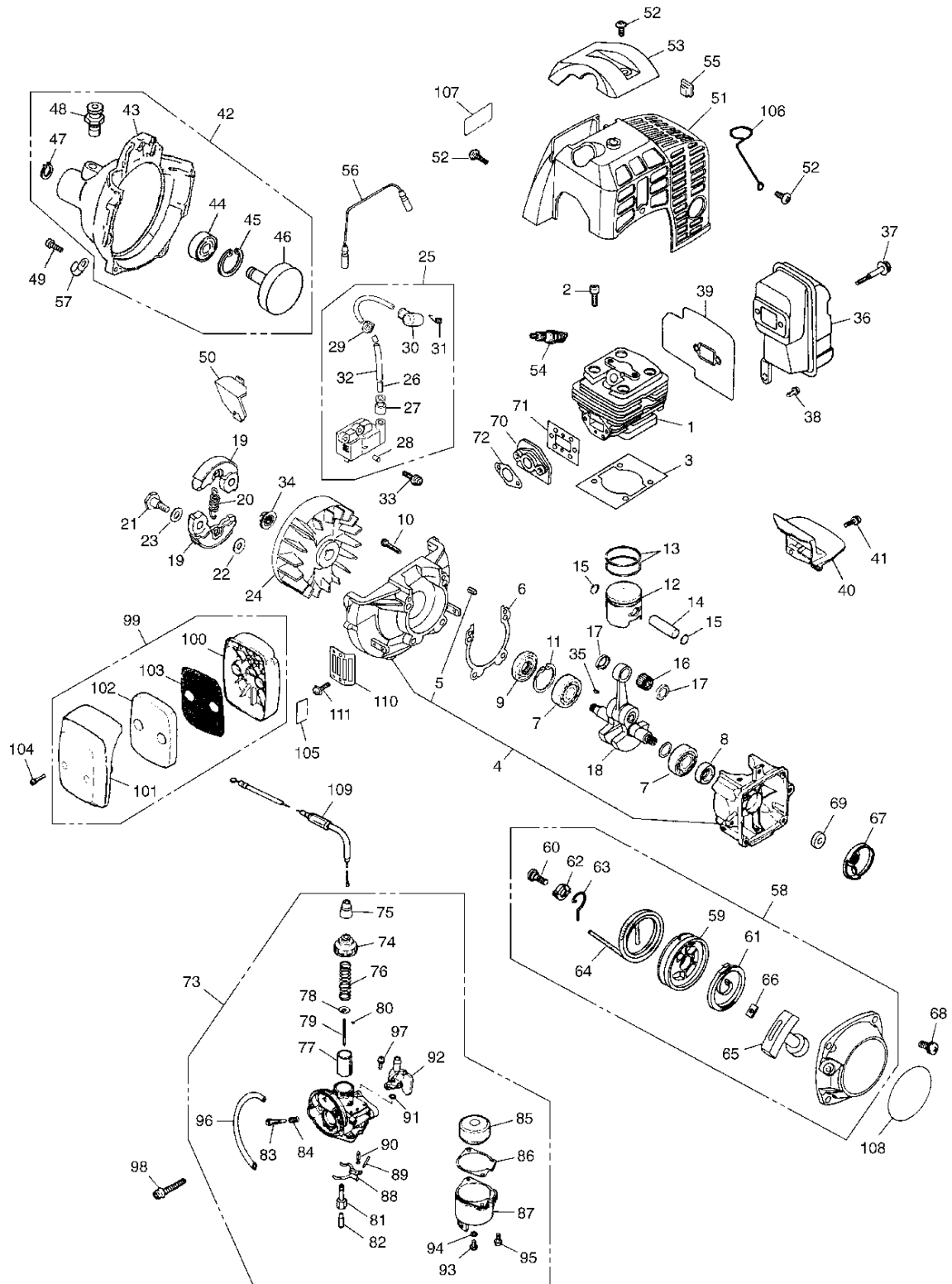
Ref	Part No	Description	Remark	QTY KIT	
1	521 66 96-01	PIPE-COMP		1	
2	514 12 71-01	BUSHING		6	1
3	515 53 63-01	BEARING		1	1
4	515 53 65-01	SHAFT		1	
5	515 53 66-01	SHAFT		1	
6	515 53 67-01	CLAMP		1	
7	510 47 57-01	SCREW		1	
8	506 60 93-01	BOLT		1	
9	521 53 98-01	GEARCASE-ASSY		1	
10	515 53 69-01	GEARCASE		1	9
11	512 54 03-01	BEARING		2	9
12	510 56 97-01	BEARING		1	9
13	504 12 10-01	SNAP RING		1	9
14	512 54 07-01	BEARING		1	9
15	527 30 57-01	SHAFT		1	9
17	521 80 40-01	NUT		1	9
20	512 54 06-01	PINION		1	9
21	512 54 08-01	BEARING		1	9
22	514 12 83-01	RING		1	9
23	516 12 55-01	SNAP RING		1	9
24	510 46 47-01	SCREW		1	9
25	510 44 99-01	BOLT		1	9
26	515 53 74-01	HOLDER		1	9
27	515 53 75-01	HOLDER		1	9
28	512 56 85-01	BOLT		1	9
29	511 63 97-01	GRIP		1	
30	587 36 26-01	DECAL		1	
31	527 30 55-01	SHAFT		1	
32	527 30 48-01	SHAFT,FLEX		1	31
33	527 30 49-01	LINER		1	31
34	516 13 65-01	O-RING		1	31
35	577 32 92-01	FRAME		1	94
36	525 91 81-01	PAD		1	94
37	515 50 26-01	CLIP		4	36,94
38	512 26 88-01	RING		2	94
39	510 47 84-01	SCREW		2	94
40	577 32 94-01	PLATE		1	94
41	515 53 91-01	JOINT		3	94
42	513 35 53-01	NUT		6	94
43	510 45 12-01	BOLT		2	94
44	510 48 61-01	NUT		2	94
45	512 30 04-01	CORD		1	94
46	515 53 95-01	BAND(T)		2	94
47	513 34 46-01	SWITCH		1	94
48	515 53 96-01	NUT		1	94
49	512 27 49-01	BRACKET		1	94
50	577 32 93-01	BRACKET		1	94
51	505 29 95-01	BOLT		4	94
52	516 07 52-01	NUT		1	94
53	521 74 38-01	TANK-ASSY		1	
54	515 37 39-01	CAP		1	53
55	515 37 40-01	HUB CAP		1	53,54
56	513 16 66-01	ELEMENT		1	53,54
57	506 74 43-01	PACKING		1	53,54
58	521 74 39-01	JOINT		1	53
59	513 24 83-01	GROMMET		1	53,58
60	514 08 85-01	CLIP		1	53,58
61	512 27 53-01	PIPE		1	53,58
62	515 38 74-01	TANK-A		1	53
63	514 08 85-01	CLIP		1	53
64	513 31 59-01	BAND		2	
65	512 27 50-01	BAND		1	
66	505 16 99-01	BOLT		1	
67	515 53 80-01	COVER		1	

## DRIVE UNIT &amp; ACCESSORIES

532 RBS, 2015-12

Ref	Part No	Description	Remark	QTY	KIT
68	505 16 99-01	BOLT		1	67
69	521 65 59-01	COVER		1	
70	577 32 96-01	GUARD		1	
71	577 32 97-01	GUARD		1	70
72	514 36 86-01	CLAMP		1	70
73	514 36 35-01	BOLT		2	70
74	510 48 80-01	WASHER		2	70
75	578 44 51-01	GRASS BLADE		1	
76	521 53 92-01	CLAMP		2	
77	521 53 01-01	LEVER ASSY		1	
78	512 54 09-01	HANDLE ASSY		1	
80	512 54 10-01	HANDLE		3	78
81	510 46 21-01	SCREW		3	78
82	510 48 89-01	WASHER		3	78
84	505 17 23-01	NUT		1	
85	513 16 38-01	TANK		1	84
89	505 29 58-01	LABEL		1	
90	537 12 99-04	BAR GUARD		2	
91	510 48 83-01	WASHER		1	94
92	511 26 10-01	PLATE		2	94
93	510 47 86-01	SCREW		2	94
94	577 32 91-01	FRAME		1	
95	501 23 80-01	TOOL BAG		1	
96	505 31 19-01	WRENCH		1	95
97	505 31 20-01	BAR		1	95
98	506 61 50-01	SPANNER		1	95
99	506 68 95-01	DRIVER		1	95
100	514 12 59-01	SOCKET.17X19		1	95

**B** 532 RBS  
ENGINE



## ENGINE

532 RBS, 2015-12

Ref	Part No	Description	Remark	QTY	KIT
1	512 27 22-01	CYLINDER		1	
2	513 41 25-01	BOLT		4	
3	510 06 43-01	GASKET		1	
4	585 56 52-01	CRANKCASE		1	
5	505 29 61-01	PIN		3	
6	505 29 64-01	GASKET		1	
7	505 29 65-01	BEARING		2	
8	504 12 15-01	SEALING		1	
9	505 29 67-01	SEAL		1	
10	506 60 94-01	BOLT		4	
11	504 12 10-01	SNAP RING		1	
12	515 37 51-01	PISTON		1	
13	510 91 77-01	PISTON RING		2	
14	510 91 66-01	PEN		1	
15	516 28 30-01	RING		2	
16	505 29 73-01	BEARING		1	
17	513 75 24-01	WASHER		2	
18	585 15 30-01	CRANKSHAFT		1	
19	513 24 23-01	SHOE		2	
20	513 37 16-01	SPRING		1	
21	505 29 78-01	SCREW		2	
22	505 29 80-01	WASHER		2	
23	505 29 81-01	WASHER		2	
24	521 74 34-01	ROTOR		1	
25	512 27 40-01	COIL		1	
26	505 29 84-01	CORD.HIGH		1	25
27	505 04 28-01	HUB CAP		1	25
28	521 74 37-01	PEN		2	25
29	515 41 53-01	GROMMET		1	25
30	505 29 88-01	HUB CAP		1	25
31	515 41 52-01	SPRING		1	25
32	521 74 95-01	TUBE		1	25
33	514 23 38-01	BOLT		2	
34	504 11 80-01	NUT		1	
35	506 68 94-01	KEY		1	
36	521 61 92-01	MUFFLER		1	
37	516 07 15-01	BOLT		2	
38	505 29 95-01	BOLT		1	
39	526 52 28-01	GASKET		1	
40	505 29 97-01	PLATE.MUFFLER		1	
41	505 29 98-01	SCREW		1	
42	521 74 33-01	HOUSING ASSY		1	
43	525 91 97-01	HOUSING		1	42
44	529 26 98-01	BEARING		1	42
45	506 60 99-01	RING		1	42
46	576 20 38-01	DRUM		1	42
47	516 12 41-01	RING		1	42
48	512 52 70-01	STOPPER		1	42
49	505 30 02-01	BOLT		4	
50	505 30 04-01	PLATE		1	
51	577 32 81-01	COVER		1	
52	505 30 06-01	SCREW		4	
53	505 30 11-01	GUARD		1	
54	503 23 51-09	SPARK PLUG		1	
55	505 30 13-01	GROMMET		1	
56	521 74 36-01	CORD		1	
57	521 52 51-01	CLAMP		1	
58	515 36 69-01	RECOIL-A		1	
59	504 11 47-01	REEL		1	58
60	515 36 71-01	SCREW		1	58
61	504 11 50-01	SPRING.SPIRAL		1	58
62	504 11 46-01	COLLAR		1	58
63	504 11 48-01	ARM		1	58
64	505 30 28-01	ROPE		1	58

## ENGINE

532 RBS, 2015-12

Ref	Part No	Description	Remark	QTY	KIT
65	505 30 34-01	KNOB		1	58
66	504 11 40-01	PLATE.STOPPER		1	58
67	504 11 44-01	PULLEY		1	
68	505 30 44-01	SCREW		4	
69	505 30 46-01	COLLAR		1	
70	515 36 98-01	INSULATOR		1	
71	505 30 49-01	GASKET.INSU		1	
72	515 36 97-01	GASKET		1	
73	512 27 26-01	CARBURETOR-A		1	
74	513 36 98-01	HUB CAP		1	73
75	513 19 21-01	HUB CAP		1	73
76	513 16 51-01	SPRING.THROTTLE		1	73
77	521 74 29-01	VALVE		1	73
78	513 16 53-01	SPRING.RECEIVE		1	73
79	521 74 30-01	NEEDLE		1	73
80	513 16 52-01	CLIP		1	73
81	513 24 56-01	JET		1	73
82	521 74 31-01	JET		1	73
83	513 37 03-01	SCREW.ADJUST		1	73
84	513 37 04-01	SPRING		1	73
85	513 23 22-01	FLOAT		1	73
86	513 24 59-01	PACKING		1	73
87	513 24 58-01	CHAMBER		1	73
88	513 24 60-01	HINGE		1	73
89	513 24 61-01	PEN		1	73
90	513 37 05-01	VALVE.NEEDLE		1	73
91	513 24 66-01	RING		1	73
92	513 25 17-01	COCK		1	73
93	513 23 32-01	SCREW		1	73
94	513 16 83-01	GASKET		1	73
95	510 46 41-01	SCREW		2	73
96	513 37 07-01	PIPE		1	73
97	510 46 42-01	SCREW		2	73
98	510 48 32-01	SCREW		2	
99	577 32 83-01	FILTER HOUSING		1	
100	577 32 84-01	FILTER HOUSING		1	99
101	577 32 85-01	FILTER COVER		1	99
102	513 25 93-01	ELEMENT		1	99
103	513 24 77-01	SCREEN		1	99
104	515 37 08-01	SCREW		2	
105	513 18 53-01	LABEL		1	
106	513 49 46-01	CLAMP		1	
107	577 32 88-01	DECAL		1	
108	577 32 89-01	DECAL		1	
109	510 93 90-01	CABLE		1	
110	505 29 62-01	GUARD		1	
111	505 29 98-01	SCREW		1	