



Article 585 44 55-01 / HQ-2000SR

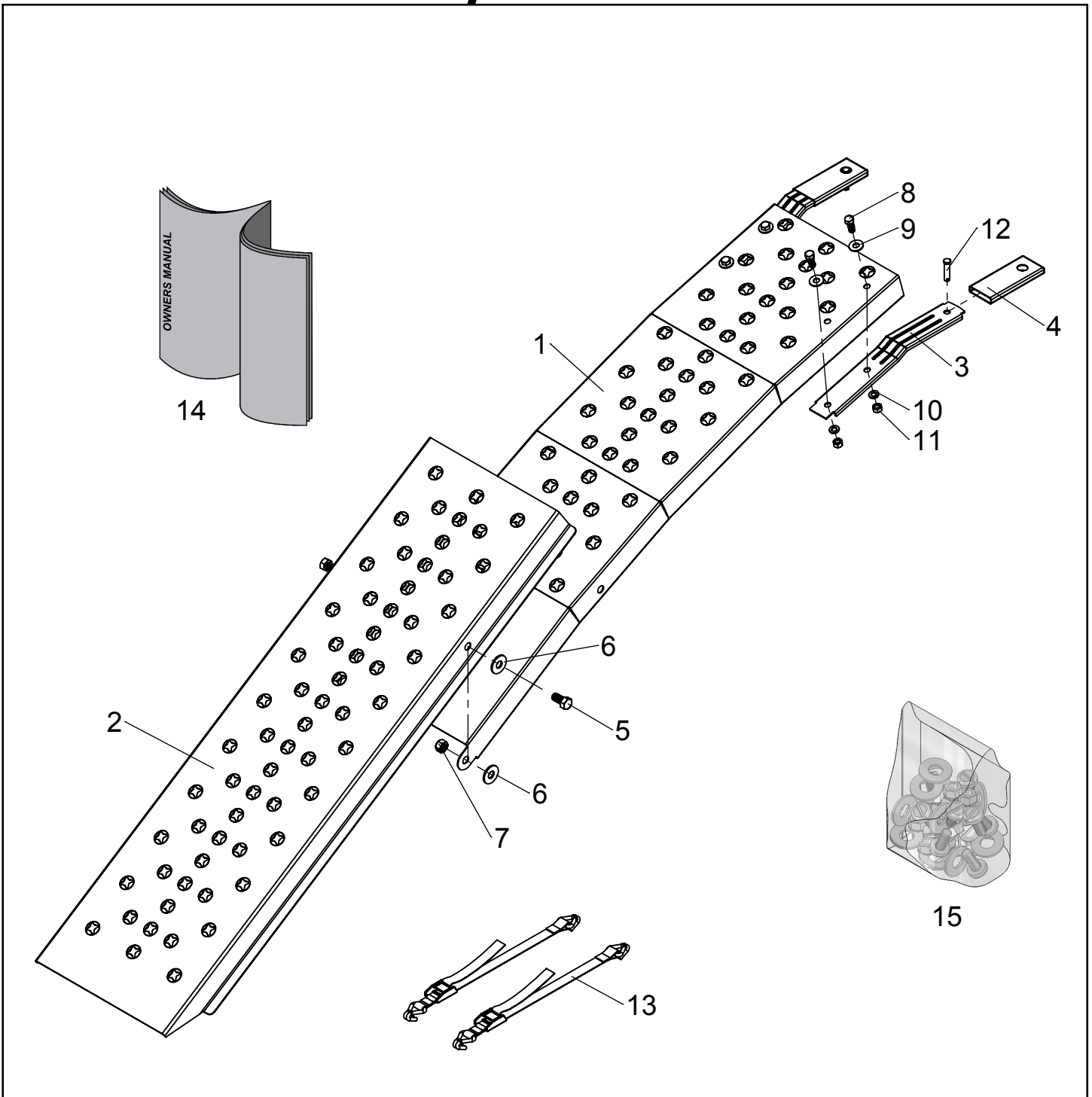
2000 LB STEEL ARCHED LOADING RAMPS

Patent US5645394



**READ AND FOLLOW ALL SAFETY RULES AND OPERATING
INSTRUCTIONS BEFORE USING THIS EQUIPMENT**

Repair Parts



ITEM	PART NO	DESCRIPTION	QTY	ITEM	PART NO	DESCRIPTION	QTY
1	403412-O	STEEL RAMP, TOP	2	9	3000720	WASHER, 3/8" USS	8
2	403422-O	STEEL RAMP, BOTTOM	2	10	300078	LOCKWASHER, 3/8"	8
3	403431-O	SUPPORT BAR	4	11	300069	HEX NUT, 3/8-16	8
4	300261-O	PAD, SUPPORT BAR	4	12	3000819	CLEVIS PIN, 3/8" X 1-1/2"	4
5	3000510	1/2-13 X 1" HEX BOLT	4	13	303171	CAM BUCKLE STRAP	2
6	300075	WASHER, 1/2" USS	8	14	6002411	OWNER'S MANUAL	1
7	300068	1/2-13 C-LOCK HEX NUT	4	15	303031	HARDWARE BOLT BAG	1
8	3000511	HEX BOLT, 3/8-16 X 1"	8				