

**ILLUSTRATED PARTS LIST**

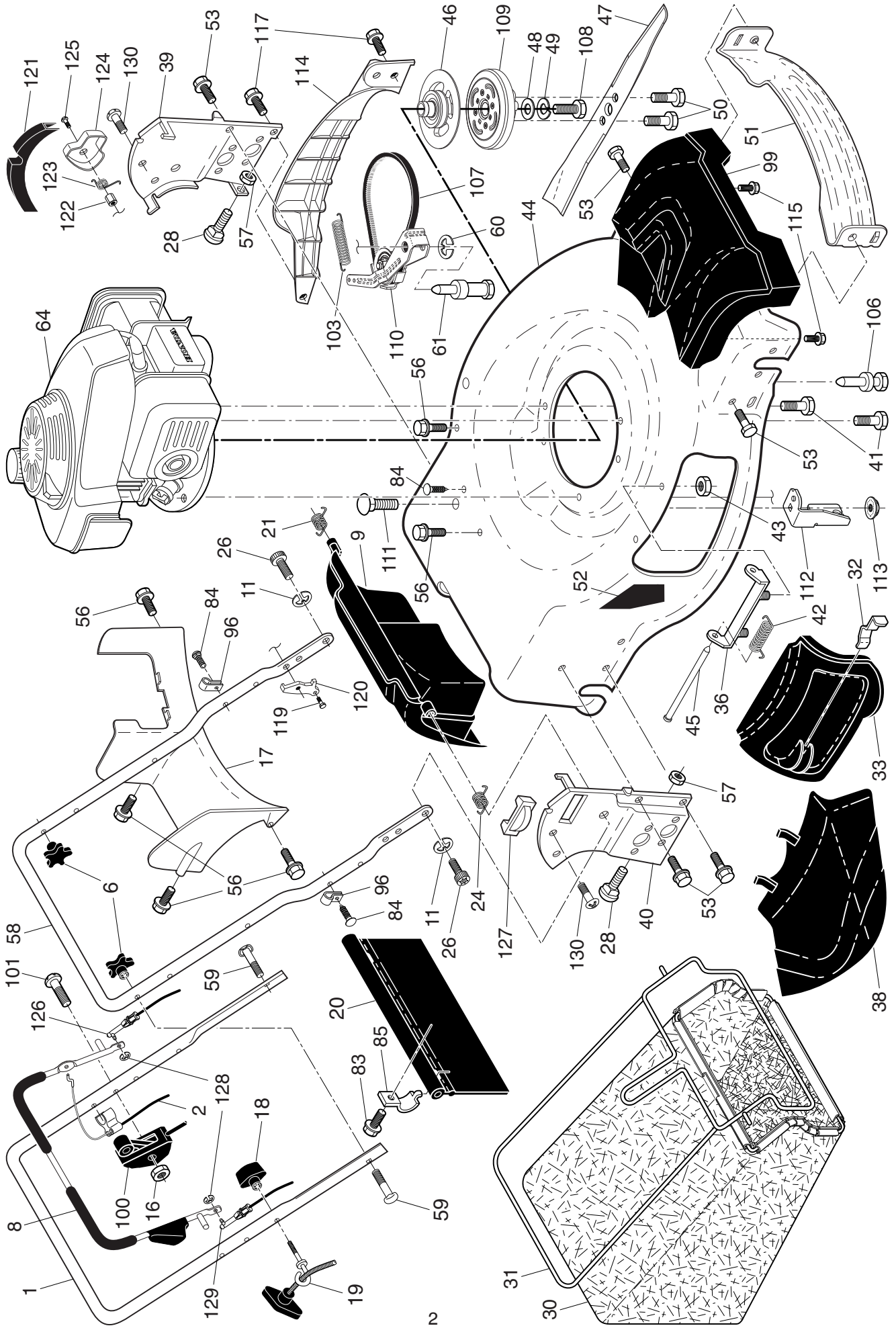
**BRAND: HUSQVARNA**

**ROTARY LAWN MOWER**

**MODEL NUMBER: HU800AWDX/BBC**

**MFG. ID. NUMBER: 96145002900**

**HUSQVARNA ROTARY LAWN MOWER -- MODEL NUMBER HU800AWDX/BBC (MFG. ID. NO. 96145002900)**



# HUSQVARNA ROTARY LAWN MOWER - - MODEL NUMBER HU800AWDX/BBC (MFG. ID. NO. 96145002900)

KEY NO.	PART NO.	DESCRIPTION	KEY NO.	PART NO.	DESCRIPTION	KEY NO.	PART NO.	DESCRIPTION
1	580 63 87-06	Upper Handle Assembly	52	532 40 47-63	Decal, Warning,	115	584 29 94-01	Screw
2	579 48 42-02	Cable, Control, BBC	53	817 00 05-10	Cut Finger	117	532 42 88-67	Screw, Side Bumper
6	532 18 23-98	Handle Knob	56	817 41 13-12	Screw	118	586 80 86-01	Cover, EZ Store,
8	587 56 41-15	Control Bar Assembly	57	532 15 53-77	Screw, Hex Washer Head #13 x 3/4		586 80 85-01	Inside, LH (shown)
9	585 84 76-03	Rear Door Assembly	58	585 25 07-02	Nut, Hex			Cover, EZ Store,
11	579 48 28-01	E-Ring, Door/Handle Pivot	59	532 19 15-74	Handle, Lower			Inside, RH
16	532 13 20-04	Nut, Hex 1/4-20	60	579 48 28-01	Bolt, Handle	119	585 48 76-01	(not shown)
17	581 78 21-01	Rear Baffle	61	581 42 45-01	E-Ring	120	585 25 09-01	Bolt, Pawl
18	581 91 26-01	T-Knob	64	- - -		121	585 79 71-01	Pawl, LH (shown)
19	581 90 21-01	Rope Guide						Pawl, RH (not shown)
20	532 44 45-37	Rear Skirt						Bracket, Grassbag,
21	532 41 99-49	Spring, Rear Door, LH, Black						LH (shown)
24	532 41 99-48	Spring, Rear Door, RH, Grey						Bracket, Grassbag,
26	532 41 99-45	Screw, Rear Door/Handle Pivot						RH (not shown)
28	586 21 25-01	Bolt, Carriage 5/16-18 x 5/8	83	532 75 00-97	(For engine service and replacement parts, call Honda at 1-800-426-7701)	122	585 48 77-01	Nut, Hex, M6
30	580 94 34-02	Grassbag	84	532 42 81-24	Screw, Hex Washer Head	123	585 48 83-01	Spring, Torsion, LH (shown)
31	585 05 47-02	Frame, Grass Catcher	85	532 43 45-30	Fastener, Push			Spring, Torsion, RH (shown)
32	532 44 11-92	Latch, Mulcher Door						Spring, Torsion, RH (not shown)
33	532 41 99-27	Mulcher Door						Cover, EZ Store,
36	532 17 57-35	Bracket, Hinge	96	532 19 79-91	Mounting Bracket,	124	586 79 44-01	Cover, EZ Store,
38	532 42 61-29	Discharge Deflector	99	585 66 87-01	Rear Skirt			Outside, LH (shown)
39	585 25 04-02	Handle Bracket, LH	100	582 00 01-01	Clip, Cable			Outside, LH (shown)
40	585 25 03-02	Handle Bracket, RH	101	532 18 33-65	Front Shroud Assembly			Cover, EZ Store,
41	532 15 04-06	Screw, Dogpoint 3/8-16 x 1-1/8	103	581 53 07-01	Control, Throttle			Outside, RH
42	532 19 30-00	Spring, Hinge	107	579 27 32-01	Screw			(not shown)
43	532 43 81-30	Nut, Hex	106	579 14 69-01	Spring, Brake Reset	125	585 54 79-01	Screw, Pan Head, M6
44	585 94 72-02	Kit, Lawn Mower Housing	109	581 30 81-01	Belt, Blade Brake/Clutch	126	585 25 16-02	Cable, EZ Store, LH
45	532 17 56-50	Rod, Hinge	110	581 35 45-01	Free Hub/Blade Adapter	127	585 25 24-01	Lift Assembly,
46	581 27 74-01	Blade Adapter / Pulley			Tension Arm Assembly,			Rear Door
47	587 19 96-01	Blade, 22"	111	872 14 04-05	Blade Brake/Clutch	128	585 98 47-01	E-Ring
48	579 27 38-01	Washer, Hardened	112	579 47 18-02	Bolt, Carriage 1/4-20	129	585 25 17-02	Cable, EZ Store, RH
49	532 85 02-63	Washer, Helical			Bracket, Mounting, Blade	130	532 14 18-41	Screw
50	532 85 10-84	Screw, Machine, Hex Head 3/8-24 x 1-3/8 Grade 8	113	532 43 81-30	Brake/Clutch Cable	- -	115 80 43-32	Operator's Manual,
		Front Baffle	114	587 56 81-02	Nut, Hex 1/4-20	- -	115 80 43-46	English / French
					Bumper, Side			Operator's Manual,
								Spanish

**NOTE:** All component dimensions given in U.S. inches. 1 inch = 25.4 mm. **IMPORTANT:** Use only Original Equipment Manufacturer (O.E.M.) replacement parts. Failure to do so could be hazardous, damage your lawn mower and void your warranty.



# HUSQVARNA ROTARY LAWN MOWER - - MODEL NUMBER HU800AWDX/BBC (MFG. ID. NO. 96145002900)

KEY PART NO.	KEY PART NO.	DESCRIPTION	DESCRIPTION
1	501 40 75-02	Drive Control Assembly (Includes Cable)	Pawl, Drive
2	586 07 28-02	Mounting Bracket, Idler Pulleys	Wheel & Tire Assembly, Rear, 11 x 2
4	588 48 00-01	Gearcase Assembly, Front, Complete	Nut, Flangelock 3/8-16
8	532 40 48-35	Pinion, Front	O-Ring
9	581 95 21-01	Cable, Drive	Screw, Hex Washer Head #13 x 3/4
10	587 24 93-02	Mounting Bracket, Drive Control	Wheel & Tire Assembly, Front, 8 x 2
12	580 36 46-03	Belt, Drive	Kit, Water Washout Assembly
13	581 68 08-01	Gearcase Assembly, Rear, Complete	Fitting, Water Washout
14	586 96 30-01	Pulley, Drive	Washer, Lock, Internal Tooth
15	587 48 65-02	Wheel Adjuster Assembly, Rear, RH	Locknut, Hex, with O-Ring
16	581 49 79-07	Wheel Adjuster Assembly, Front, LH	Belt Keeper, Gearcase, Front
18	532 70 10-37	Knob, Wheel Adjuster	Screw, Hi-Lo Thread 5/16 x 1
20	580 80 69-01	Debris Shield	Pulley Assembly, Idler
22	817 00 05-10	Screw, Hex Head 1/4-20	Screw, Hi-Lo Thread #12 x 5/8
25	532 42 60-65	Mounting Bracket, Debris Shield	Spring, Tension
26	581 15 25-02	Belt Keeper, Gearcase, Rear	Nut, Hex
27	532 06 77-25	Washer, Flat	Support Bracket
28	812 00 00-58	E-Ring 7/16	Screw
29	581 84 04-01	Cover, Dust, Wheel	Wheel Adjuster Assembly, Front, RH
30	532 43 81-30	Nut, Hex	Wheel Adjuster Assembly, Rear, LH
			Pinion, Rear, 16 Teeth
			Cover, Dust, Wheel, Rear

**NOTE:** All component dimensions given in U.S. inches. 1 inch = 25.4 mm. **IMPORTANT:** Use only Original Equipment Manufacturer (O.E.M.) replacement parts. Failure to do so could be hazardous, damage your lawn mower and void your warranty.