



LS 50

Article 588 20 90-02

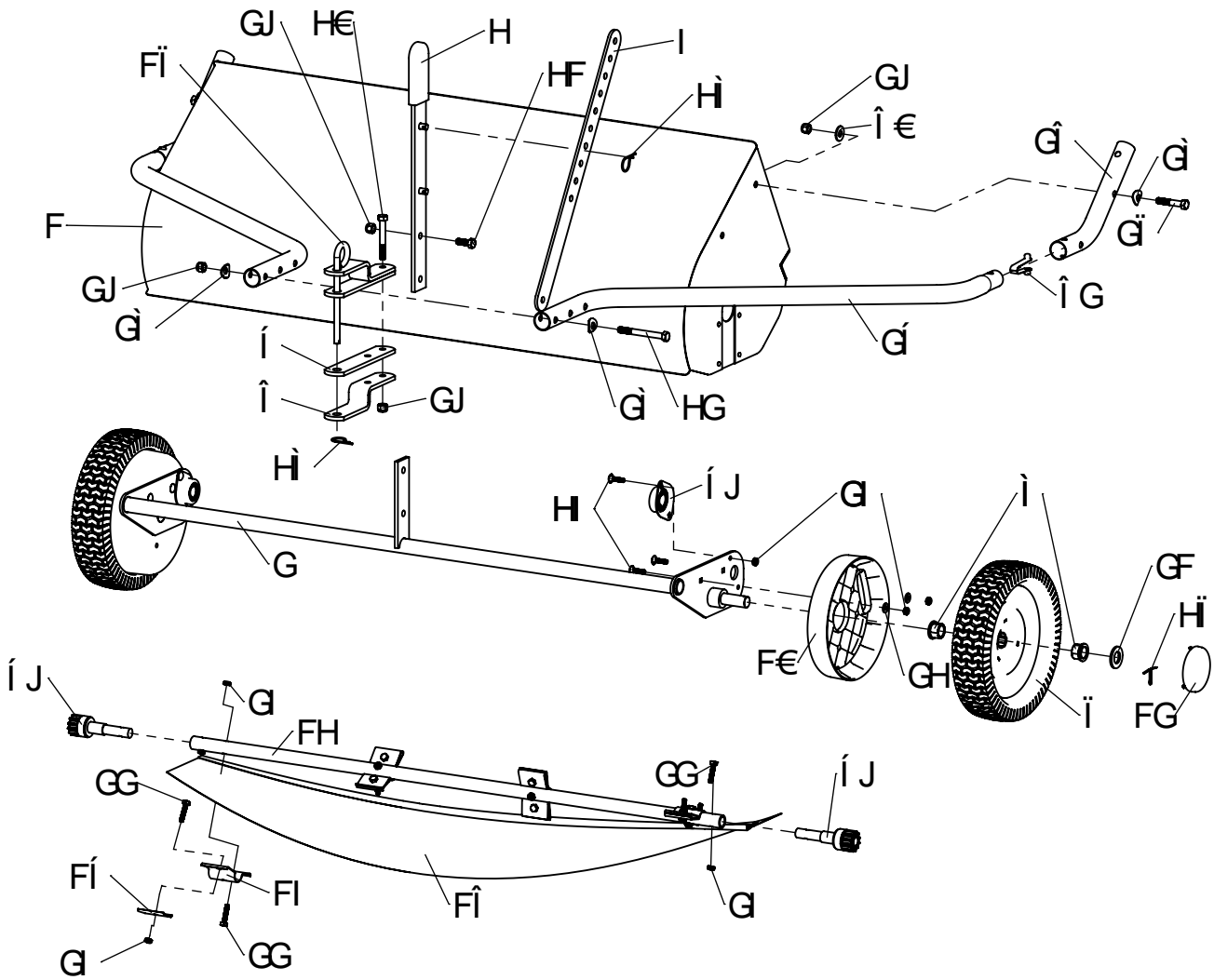
26 cu ft LAWN SWEEPER

U.S. Patent No. 7,610,646



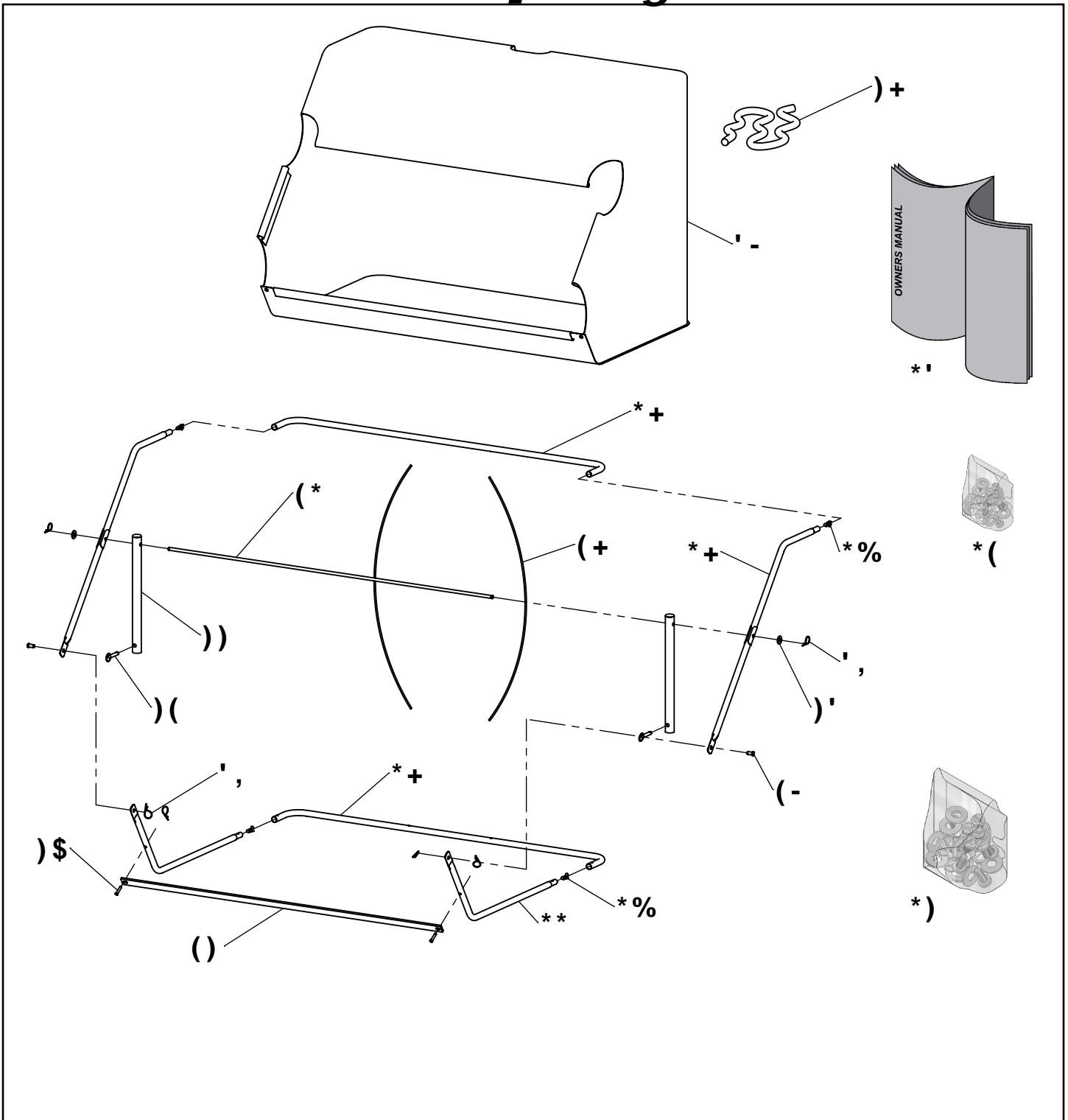
**READ AND FOLLOW ALL SAFETY RULES AND OPERATING
INSTRUCTIONS BEFORE USING THIS EQUIPMENT**

F YdUJf`DUfhg



ITEM	PART NO	DESCRIPTION	QTY	ITEM	PART NO	DESCRIPTION	QTY
1	6000206-O	Sweeper Housing	1	23	3000716	1/4" USS Flat Washer	4
2	307119	Height Adjustment	1	24	300065	1/4-20 Nyloc Nut	22
3	307181-HG	Handle	1	25	307038-HG	Hitch Tube, Long (incl. 62)	2
4	307113-HG	Adjustment Lever	1	26	307034-HG	Hitch Tube, Short	2
5	307042	Clevis Bar, Flat	2	27	3000543-B	3/8-16 x 2" Hex Bolt	4
6	307043	Clevis Bar, Offset	2	28	3000722-B	3/8" USS Curved Washer	10
7	307011	Wheel (bushings included)	2	29	310061-B	3/8-16 Nyloc Nut	11
8	6000540	Wheel Bushing	4	30	310051-B	3/8-16 x 2-3/4" Hex Bolt	2
10	6000539	Dust Cover	2	31	3000533-B	3/8-16 x 1" Hex Bolt	2
12	307241	Hub Cap	2	32	3000544-B	3/8-16 x 3-1/2" Hex Bolt	3
13	307125	Brush Axle	1	34	6000733	1/4-20 x 1" Carriage Bolt	8
14	307122	Brush Bracket	4	37	300081	Cotter Pin, 1/8" x 1-1/2"	2
15	307121	Brush Clamp	8	38	307083-B	Hairpin	2
16	307322	Brush	2	59	6000828	Pinion/Bearing Kit	1
17	307082-B	Hitch Pin	1	60	310073-B	3/8" USS Flat Washer	4
21	3000721	3/4" SAE Flat Washer	2	62	6000222	Snap Button	2
22	3000539	1/4-20 x 1-1/4" Hex Bolt	14				

F YdUjf 'DUfhg



ITEM	PART NO	DESCRIPTION	QTY	ITEM	PART NO	DESCRIPTION	QTY
38	307083-B	Hairpin	6	54	3000823-B	Quick-Release Pin	2
39	6003331	Hopper Bag	1	55	307032-HG	Connecting Tube	2
45	307062	Hopper Bar	1	57	307361-B	Dump Rope	1
46	307053	Pivot Rod	1	61	6000208	Snap Button	4
47	307052	Tension Rod	2	63	6001790	Owners Manual	1
49	3000818-B	Clevis Pin, 3/8" x 1/2"	2	64	307132-B	Hardware Bag-Hitch	1
50	3000820-B	Clevis Pin, 1/4" x 1-1/4"	2	65	307133-B	Hardware Bag-Frame	1
53	3000720-B	3/8" USS Flat Washer	2	66	6000865-B	Hopper Frame Kit, 26 cu. ft.	1