

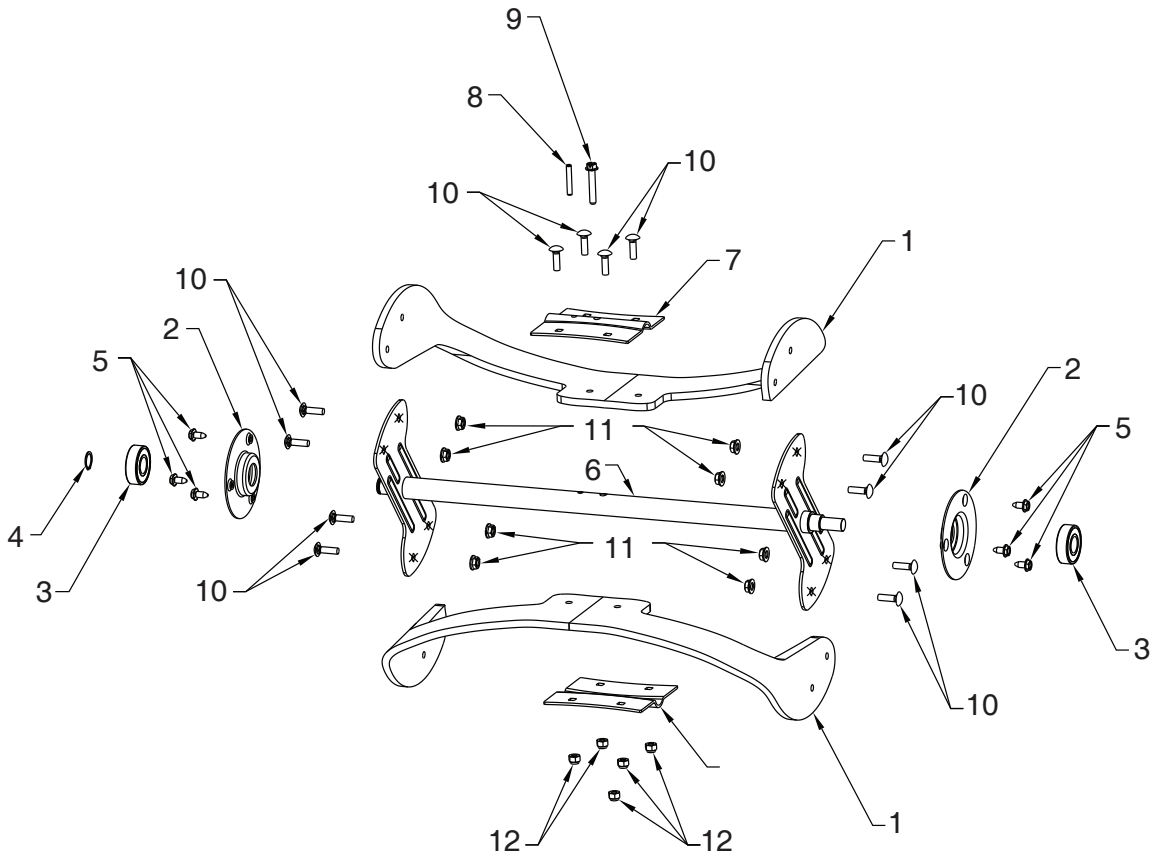
ILLUSTRATED PARTS LIST

MODEL NUMBER ST 111

PRODUCT NUMBER 961 83 00-02

MFG. ID. NUMBER 96183000202

REPAIR PARTS SNOW THROWER - MODEL NUMBER ST 111 (96183000202)
AUGER ASSEMBLY



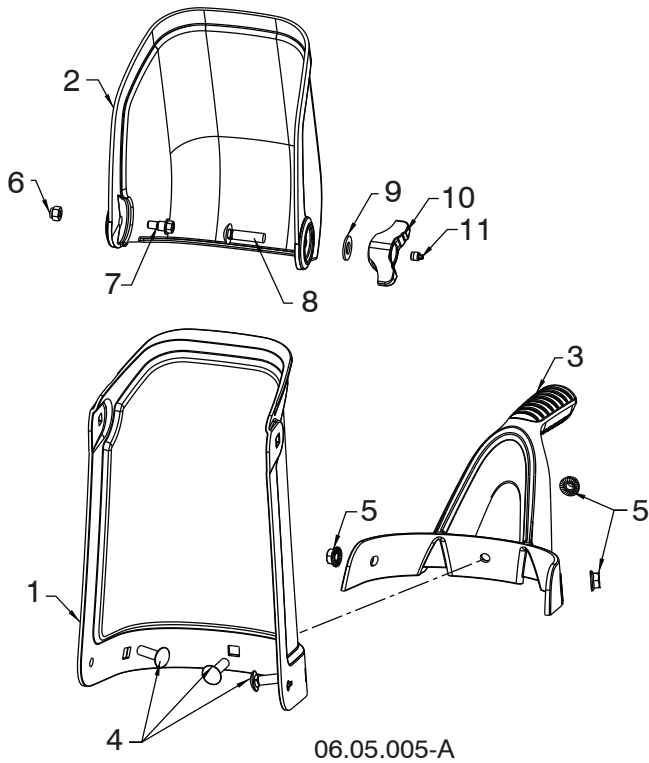
06.03.001-F

KEY NO.	PART NO.	DESCRIPTION
1	532 44 27-59	BLADE
2	580 85 55-01	BEARING SUPPORT
3	532 43 76-22	BALL BEARING
4	812 00 00-28	RETAINING RING
5	817 06 04-08	SCREW 1/4-20 X 3/8
6	532 43 76-17	AUGER WELDMENT
7	580 85 54-01	CENTER BLADE PLATE
8	532 43 76-20	ROLL PIN
9	532 19 96-87	SCREW HEX WS HD 1/4-20 X 1.5
10	872 11 04-07	BOLT CARRIAGE 1/4-20 X 7/8
11	532 19 17-30	LOCKNUT 1/4-20 HEX FLANGE SIDE
12	532 13 20-04	NUT HEX 1/4-20 SERR

NOTE: All component dimensions given in U.S. inches. 1 inch = 25.4 mm
IMPORTANT: Use only Original Equipment Manufacturer (O.E.M.) replacement parts.
 Failure to do so could be hazardous, damage your snow thrower and void your warranty.

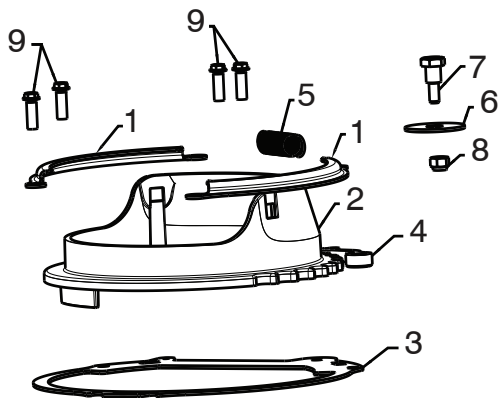
REPAIR PARTS SNOW THROWER - MODEL NUMBER ST 111 (96183000202)

CHUTE ASSEMBLY



KEY NO.	PART NO.	DESCRIPTION
1	583 75 82-01	CHUTE
2	532 44 34-31	DEFLECTOR
3	587 41 21-01	HANDLE
*4	532 43 73-18	CARRIAGE BOLT 5/16-18 X 1
*5	873 97 05-00	NUT FL LOCK 5/16-18 X 1
*6	532 13 20-04	NUT NYLOCK 1/4-20
*7	532 44 46-82	SHOULD BOLT 1/4-20
*8	872 11 05-10	CARRIAGE BOLT 5/16-18 X 1.25
*9	819 13 13-16	WASHER 13/32 X 13/16 X 16 GA
*10	532 19 19-38	KNOB – TWO WING
*11	532 07 16-73	CAP PLASTIC

NOTE: ITEMS MARKED WITH AN * ARE PROVIDED IN THE BAG OF PARTS.

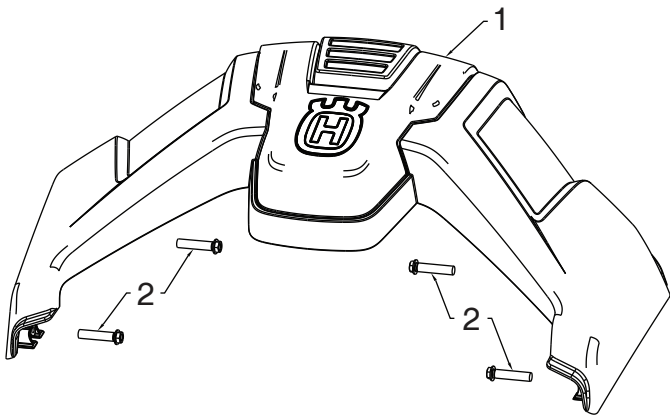


KEY NO.	PART NO.	DESCRIPTION
1	580 85 65-01	CHUTE RETAINER
2	587 23 81-01	CHUTE BASE
3	580 85 56-01	CHUTE BASE PLATE
4	532 43 48-78	RATCHET PAWL
5	532 43 48-79	SPRING
6	819 13 24-16	WASHER (13/32 X 1.25)
7	532 08 13-28	BOLT (1/4-20 X .94)
8	532 13 20-04	NUT (1/4-20 HEX)
9	817 41 13-12	BOLT (13-16 X .75)

06.04.009-C

NOTE: All component dimensions given in U.S. inches. 1 inch = 25.4 mm
IMPORTANT: Use only Original Equipment Manufacturer (O.E.M.) replacement parts. Failure to do so could be hazardous, damage your snow thrower and void your warranty.

**REPAIR PARTS SNOW THROWER - MODEL NUMBER ST 111 (96183000202)
HANDLE ASSEMBLY**



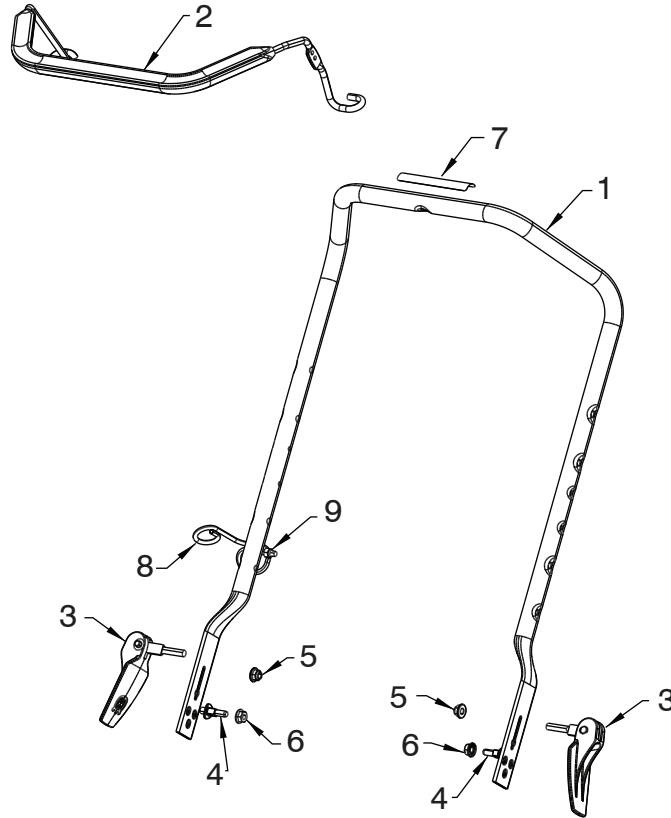
06.09.003-B

KEY NO.	PART NO.	DESCRIPTION
1	586 51 75-01	COVER ASM HUSQVARNA LITE
*2	817 41 13-18	SCREW 13-16 X 1.25 HEX WASHER

ITEMS MARKED WITH AN * ARE PROVIDED IN THE BAG OF ITEMS SHIPPED LOOSE WITH PRODUCT.

NOTE: All component dimensions given in U.S. inches. 1 inch = 25.4 mm
IMPORTANT: Use only Original Equipment Manufacturer (O.E.M.) replacement parts.
 Failure to do so could be hazardous, damage your snow thrower and void your warranty.

**REPAIR PARTS SNOW THROWER - MODEL NUMBER ST 111 (96183000202)
HANDLE ASSEMBLY**

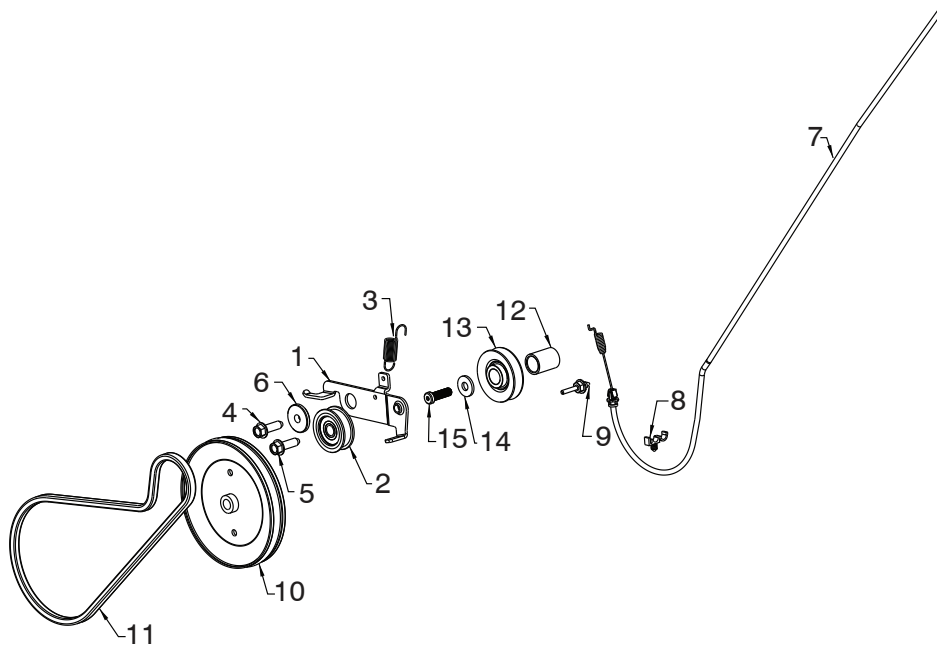


06.07.006-A

KEY NO.	PART NO.	DESCRIPTION
1	532 44 34-32	UPPER HANDLE ERGO GRAY
2	532 44 34-33	OVERMOLD BAIL ASM HUSQ
3	532 44 30-21	QUICK ADJUST SUBASM
4	532 19 92-55	STUD QUICK ADJ
5	532 44 22-48	NUT 5/16-18 FLANGE NYLOCK BLACK
6	873 97 05-00	NUT LOCK HEX FLANGE
7	532 43 75-06	DECAL HANDLE BAR AUGER INSTRUCTIONAL
8	532 44 22-34	ROPE GUIDE
9	532 13 20-04	NUT HEX 1/4-20 BZO

NOTE: All component dimensions given in U.S. inches. 1 inch = 25.4 mm
IMPORTANT: Use only Original Equipment Manufacturer (O.E.M.) replacement parts.
 Failure to do so could be hazardous, damage your snow thrower and void your warranty.

REPAIR PARTS SNOW THROWER - MODEL NUMBER ST 111 (96183000202)
DRIVE ASSEMBLY

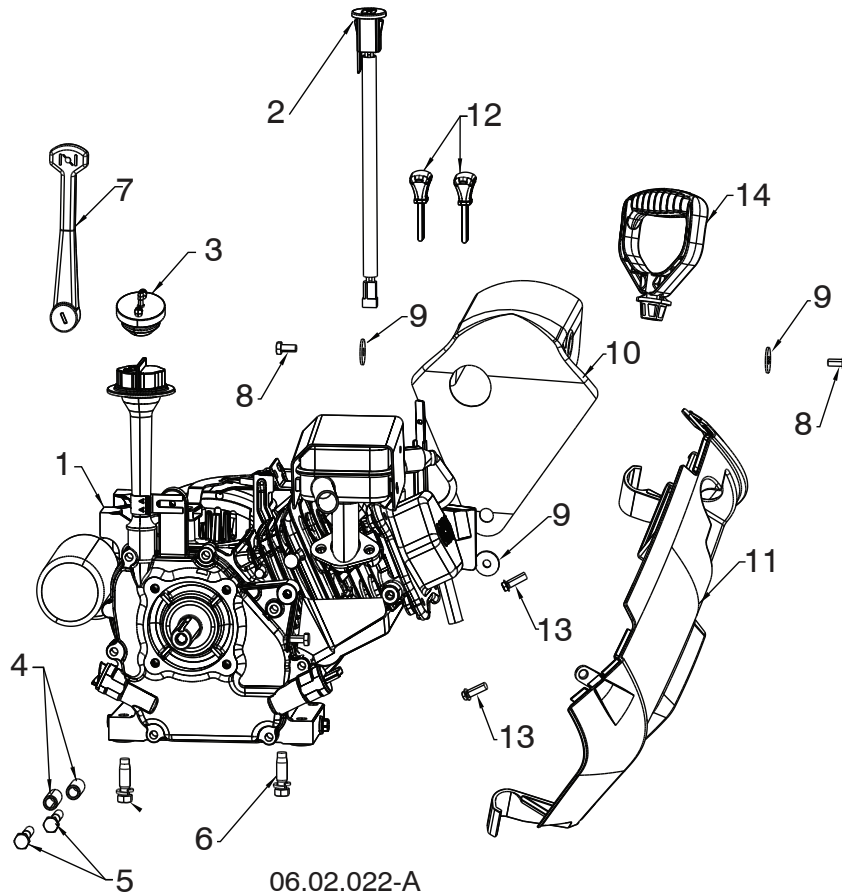


06.01.001-A

KEY NO.	PART NO.	DESCRIPTION
1	580 85 53-01	IDLER ARM
2	532 16 60-43	IDLER PULLEY
3	532 43 48-59	RETURN SPRING
4	817 06 06-20	SCREW 3/8-16 X 1-1/4 (TORQUE 13-18 FT-LBS)
5	817 06 06-20	SCREW 3/8-16 X 1-1/4 (TORQUE 22-27 FT-LBS)
6	532 19 90-92	SPACER
7	532 44 30-18	CLUTCH CABLE ASM
8	532 14 50-06	PUSH CLIP
9	532 43 45-02	BELT KEEPER
10	532 43 53-83	DRIVE PULLEY
11	532 43 72-61	BELT
12	532 43 48-60	ENGINE CRANK SPACER
13	532 42 64-90	ENGINE PULLEY
14	532 85 10-74	WASHER
15	532 43 08-17	SCREW 3/8-24 X 1/25

NOTE: All component dimensions given in U.S. inches. 1 inch = 25.4 mm
IMPORTANT: Use only Original Equipment Manufacturer (O.E.M.) replacement parts.
 Failure to do so could be hazardous, damage your snow thrower and void your warranty.

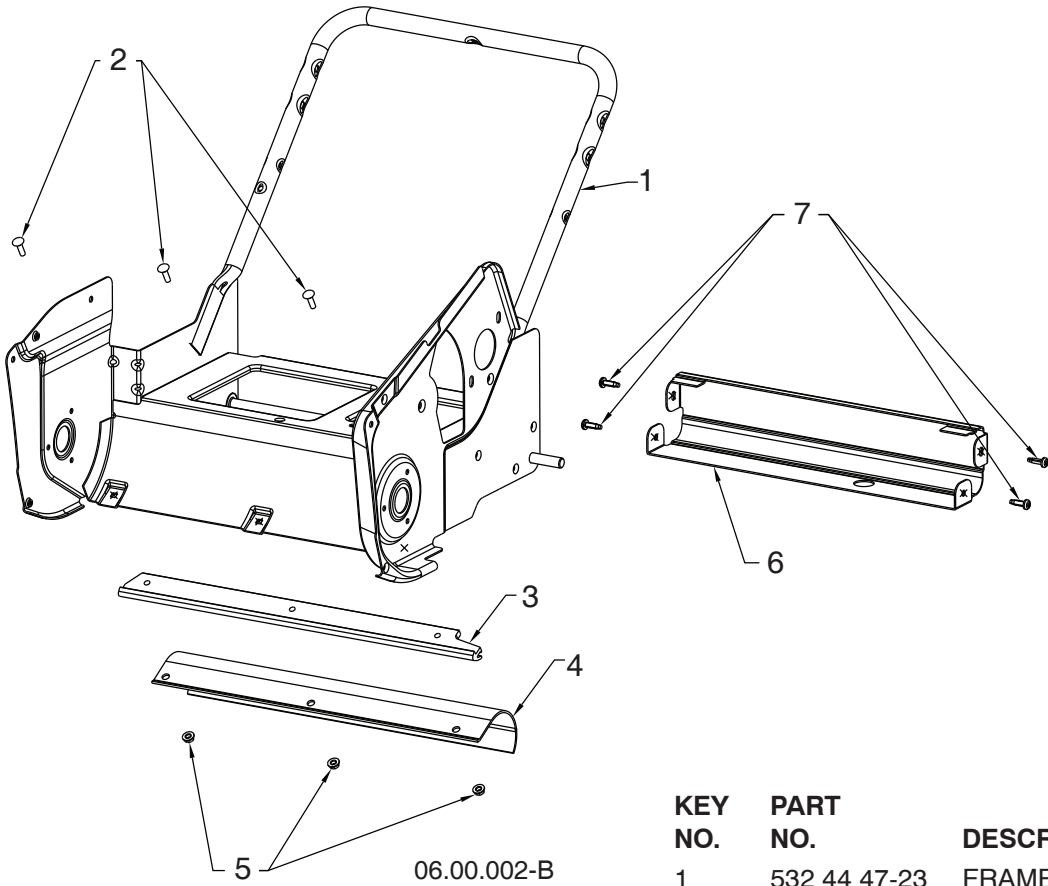
**REPAIR PARTS SNOW THROWER - MODEL NUMBER ST 111 (96183000202)
ENGINE ASSEMBLY**



KEY NO.	PART NO.	DESCRIPTION
1	580 81 07-02	ENGINE 136 LCT PW3HK1840018P
2	532 43 54-07	KEY SWITCH
3	532 43 62-35	PRIMER BULB
4	532 43 48-57	ENGINE SPACER
5	532 43 55-78	SCREW 5/16-24 X 2.00 HHCS
6	532 15 04-06	BOLT ENGINE 3/8-16 DOGPOINT
7	532 43 48-74	CHOKE LEVER
8	581 56 26-01	BOLT M6 X 1 X 14 MM HH
9	819 09 14-16	WASHER 9/32 X 7/8 X 16 GA
10	532 43 76-19	MUFFLER COVER
11	532 44 34-24	REAR LOWER COVER
12	532 44 30-59	KEY SET (QTY: 2)
13	817 41 13-12	SCREW HX FLHD #13 X .75
14	532 43 62-76	RECOIL HANDLE

NOTE: All component dimensions given in U.S. inches. 1 inch = 25.4 mm
IMPORTANT: Use only Original Equipment Manufacturer (O.E.M.) replacement parts.
 Failure to do so could be hazardous, damage your snow thrower and void your warranty.

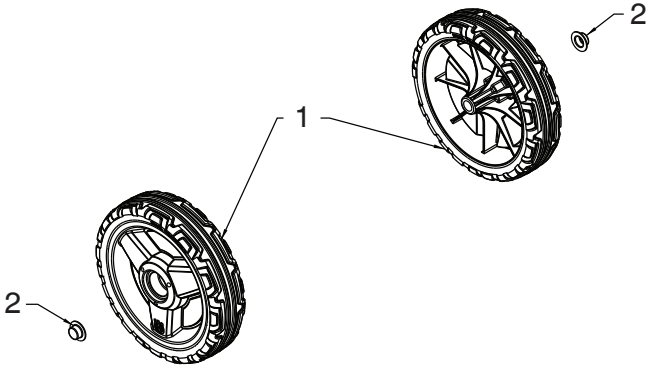
REPAIR PARTS SNOW THROWER - MODEL NUMBER ST 111 (96183000202)
FRAME ASSEMBLY



KEY NO.	PART NO.	DESCRIPTION
1	532 44 47-23	FRAME WELDMENT
2	872 11 04-07	BOLT CARRIAGE 1/4-20 X 7/8
3	580 50 26-01	BAR SCRAPER UHMW
4	532 44 21-46	SKIRT SCRAPER SSST
5	532 19 17-30	NUT HEX FLANGE 1/4-20 CTR LOCK
6	532 44 34-23	SUPPORT SSST REAR FRAME
7	532 44 22-50	SCREW PAN HD TORX 1/4-20 X .750

NOTE: All component dimensions given in U.S. inches. 1 inch = 25.4 mm
IMPORTANT: Use only Original Equipment Manufacturer (O.E.M.) replacement parts.
 Failure to do so could be hazardous, damage your snow thrower and void your warranty.

REPAIR PARTS SNOW THROWER - MODEL NUMBER ST 111 (96183000202)
FRAME ASSEMBLY

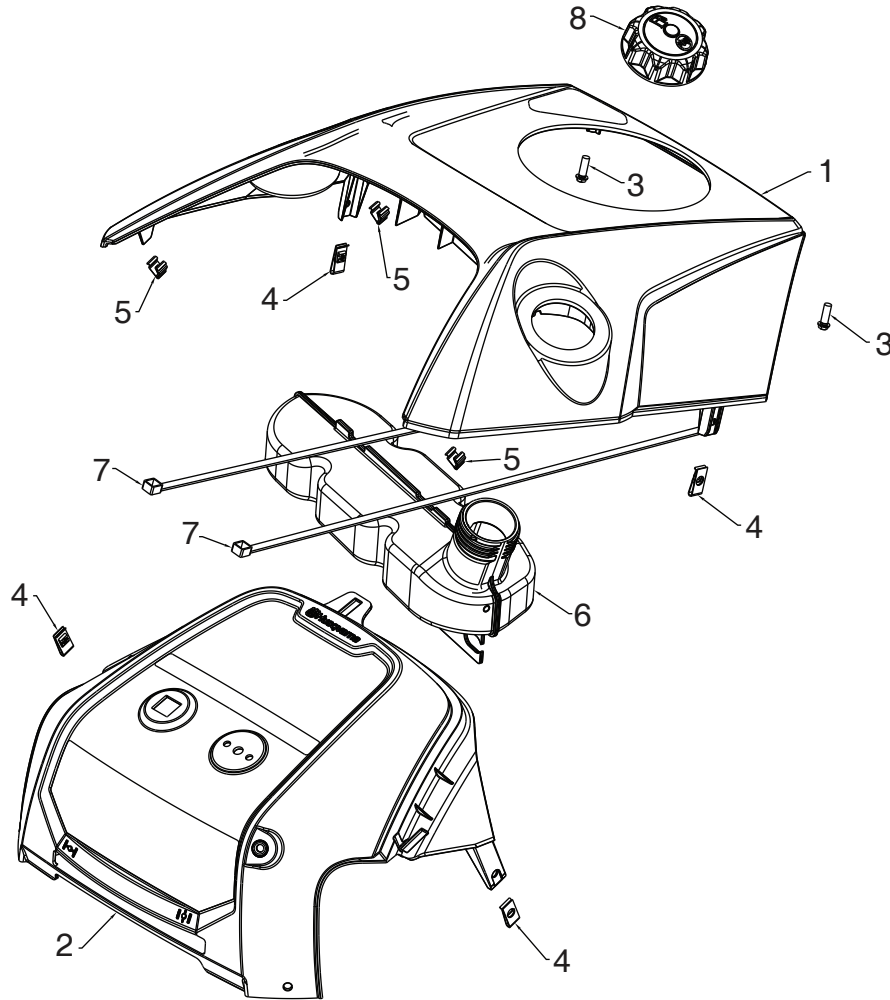


06.06.007-A

KEY NO.	PART NO.	DESCRIPTION
1	532 44 21-20	WHEEL HUSQ 8" BAR SN
2	532 43 54-17	PUSH NUT

NOTE: All component dimensions given in U.S. inches. 1 inch = 25.4 mm
IMPORTANT: Use only Original Equipment Manufacturer (O.E.M.) replacement parts.
Failure to do so could be hazardous, damage your snow thrower and void your warranty.

REPAIR PARTS SNOW THROWER - MODEL NUMBER ST 111 (96183000202)
SHROUD ASSEMBLY



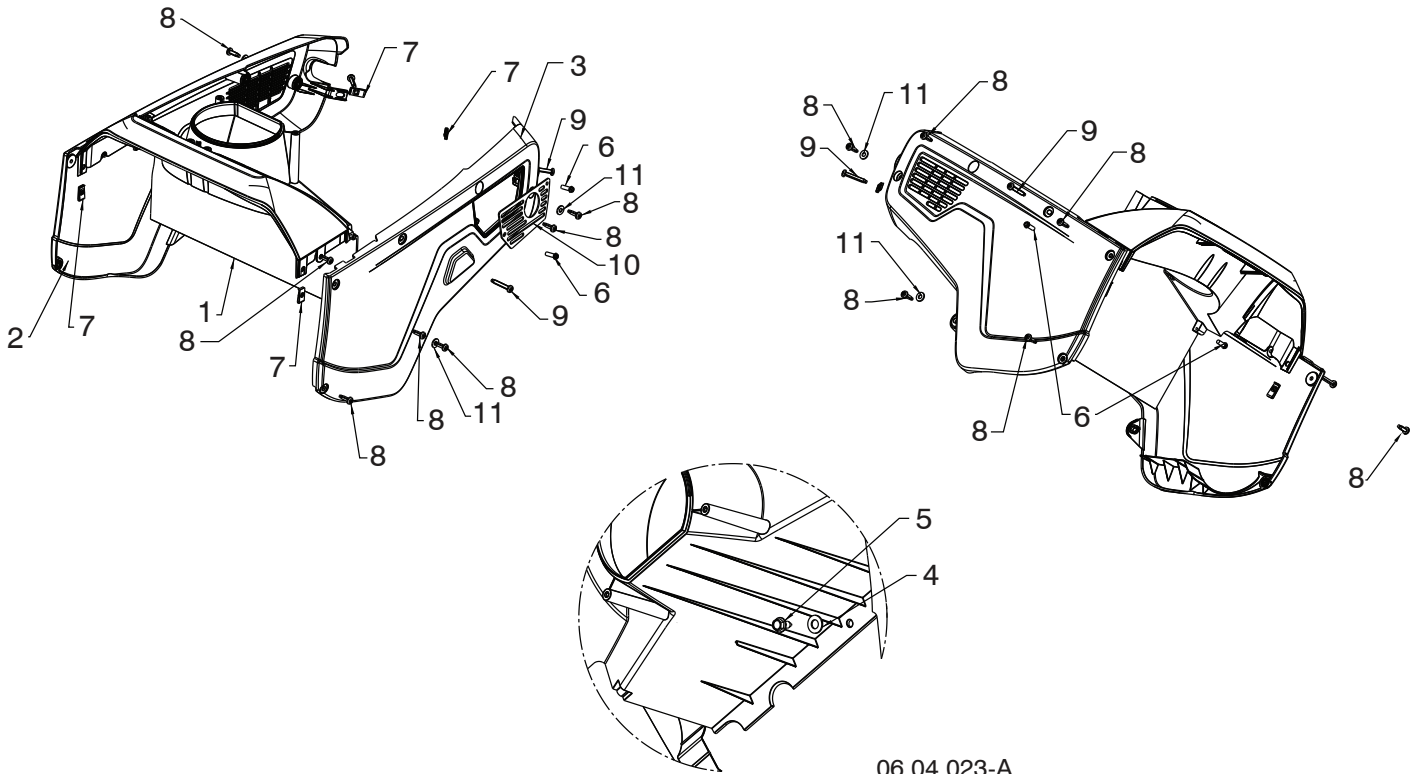
06.04.014-F

KEY NO.	PART NO.	DESCRIPTION
1	532 44 41-33	TOP COVER
2	588 75 40-01	REAR UPPER COVER
3	817 41 13-12	BOLT 13-16 X .75
4	532 19 66-88	THREADED CLIP
5	532 43 48-68	TRIM CLIP
6	580 98 26-01	FUEL TANK ASSEMBLY
7	532 14 68-48	CABLE TIE
8	581 07 55-01	FUEL CAP/GASKET

NOTE: All component dimensions given in U.S. inches. 1 inch = 25.4 mm
IMPORTANT: Use only Original Equipment Manufacturer (O.E.M.) replacement parts. Failure to do so could be hazardous, damage your snow thrower and void your warranty.

REPAIR PARTS SNOW THROWER - MODEL NUMBER ST 111 (96183000202)

SHROUD ASSEMBLY



KEY NO.	PART NO.	DESCRIPTION
1	532 44 34-25	PLENUM
2	584 98 99-05	COVER NON DRIVE SIDE
3	584 99 00-05	COVER DRIVE SIDE
4	819 13 13-16	WASHER FLAT 3/8 SAE
5	532 42 88-67	BOLT 5/16-18 X .75
6	817 41 13-12	SCREW 13-16 X .75
7	532 19 66-88	CLIP THREADED
8	532 44 22-50	SCREW 1/4-20 X .75
9	532 44 42-62	SCREW 1/4-20 X 1.50
10	580 83 35-01	EXHAUST PLATE
11	819 09 10-16	WASHER FLAT 1/4 SAE

NOTE: All component dimensions given in U.S. inches. 1 inch = 25.4 mm
IMPORTANT: Use only Original Equipment Manufacturer (O.E.M.) replacement parts. Failure to do so could be hazardous, damage your snow thrower and void your warranty.

**REPAIR PARTS
ENGINE, LCT**

**SNOW THROWER - MODEL NUMBER ST 111 (96183000202)
COMPLETE ENGINE - 580810702**

136/179/208cc Single-Stage Snow Engines

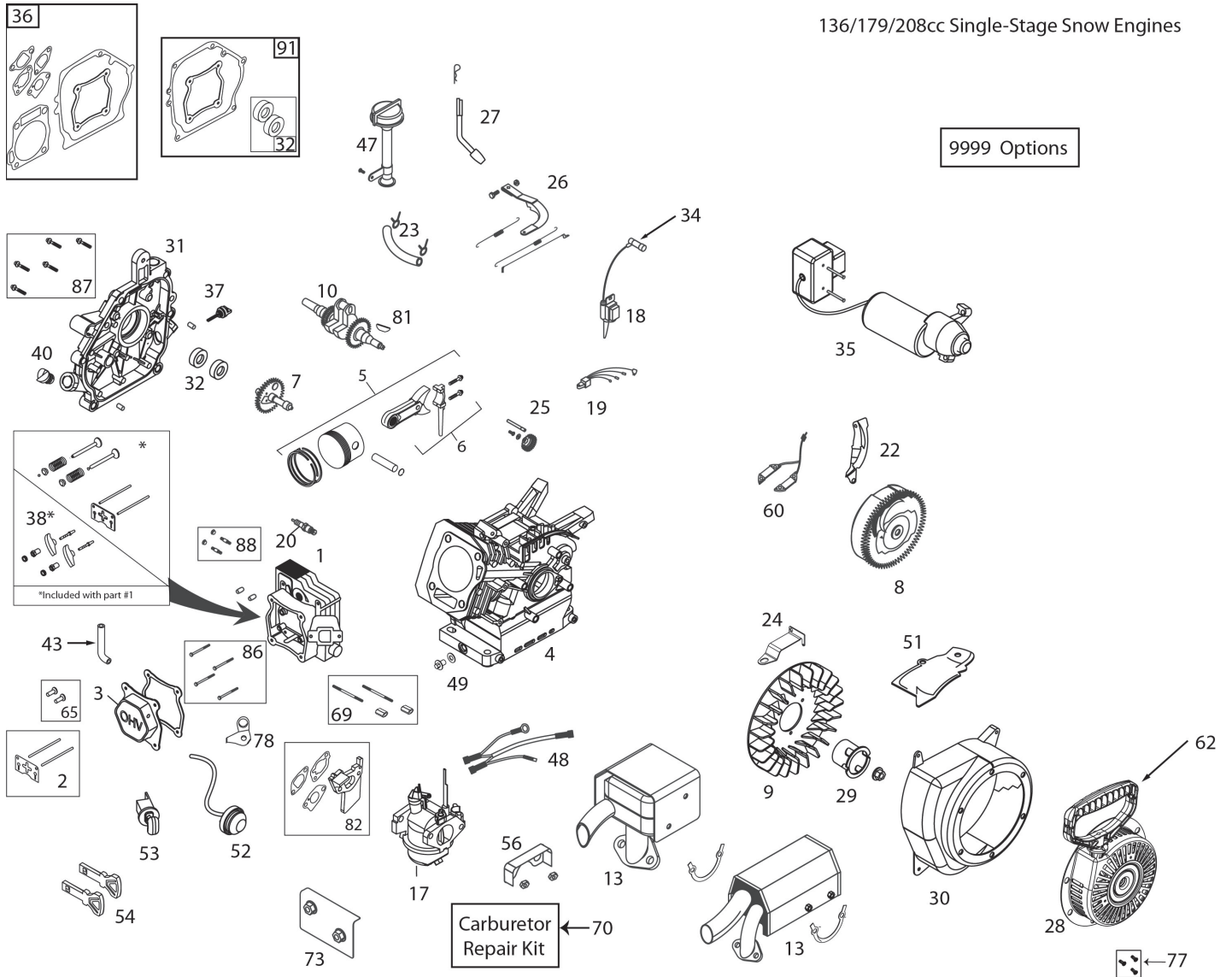


ILLUSTRATION FOR REFERENCE PURPOSES ONLY

NOTE: All component dimensions given in U.S. inches. 1 inch = 25.4 mm
IMPORTANT: Use only Original Equipment Manufacturer (O.E.M.) replacement parts.
 Failure to do so could be hazardous, damage your snow thrower and void your warranty.

**REPAIR PARTS
ENGINE, LCT**

**SNOW THROWER - MODEL NUMBER ST 111 (96183000202)
COMPLETE ENGINE - 580810702**

KEY NO.	PART NO.	DESCRIPTION	KEY NO.	PART NO.	DESCRIPTION
1	532 43 80-06	CYLINDER HEAD ASSY-136CC (INCL. GASKET)	38	532 43 80-10	ROCKER ARM KIT (136CC) (INCL. GASKET)
2	532 43 80-11	PUSH ROD & PLATE KIT (136CC) (INCL. VALVE COVER GSKT)	40	532 42 95-98	NON-REMOVABLE PLASTIC PLUG (136/208/254CC)
3	580 94 15-01	VALVE COVER (136CC)	43	580 35 34-01	BREATHER TUBE (136/208/254CC)
4	N/A	N/A	47	532 43 80-00	HIGH OIL-FILL TUBE (PRESSED-IN TYPE W/FLANGED CAP)
5	532 43 80-07	PISTON & ROD ASSY (136CC)	48	580 94 14-01	WIRE HARNESS (SINGLE STAGE)-SNOW
6	N/A	N/A	49	532 43 54-95	OIL DRAIN PLUG W/WASHER (136/208/254CC)
7	532 43 80-05	CAMSHAFT - MCR (136CC)	51	580 94 11-01	SHIELD - CYLLNDER (136 SINGLE STAGE) SNOW
8	532 43 79-99	FLYWHEEL - MANUAL START (136CC)	52	532 43 71-23	PRIMER BULB W/HOSE KIT (SINGLE STAGE)SNOW
9	532 43 80-01	COOLING FAN - FLYWHEEL (PLASTIC - 136CC)	53	532 42 49-54	SAFETY KEY SWITCH -SNOW (INCL. KEYS)
10	532 43 80-09	CRANKSHAFT (#18 KEYED 136CC SNOW)	54	532 44 30-59	KEY SET - RED (2) (SNOW)
13	532 43 79-89	MUFFLER ASSEMBLY(136 SINGLE STAGE) SNOW	56	532 42 92-60	CARBURETOR VAPOR SHIELD - 208CC SNOW
17	532 43 79-90	CARBURETOR (L13-3) (SS SNOW 136CC- W/GSKTS & SPACER)	60	N/A	N/A
18	580 94 13-01	IGNITION COIL	62	532 42 49-68	STARTER GRIP-SNOW
19	N/A	N/A	65	581 37 27-01	TAPPET KIT (136CC)(SET OF 2)
20	532 42 49-39	SPARK PLUG	69	532 42 49-51	CARBURETOR STUDS & COUPLING KIT-SNOW
22	532 43 79-96	SHIELD - FLYWHEEL - MANUAL START (136CC)	70	580 35 36-01	CARBURETOR REPAIR KIT (136/208/254CC)
23	532 43 80-14	FUEL HOSE KIT - SINGLE STAGE SNOW (318MM)	73	532 44 42-75	INTAKE SHIELD (208CC SS SNOW)
24	532 42 92-59	SPEED CONTROL BRACKET (FIXED)	77	532 43 26-88	RECOIL BOLT KIT (3 BOLTS PER KIT)
25	532 42 96-46	GOVERNOR GEAR ASSEMBLY (136/208CC)	78	581 45 93-01	BREATHER TUBE BRACKET
26	532 43 80-03	GOVERNOR ARM & LINK KIT (136CC SNOW)	81	585 29 72-02	WOODRUFF FLYWHEEL KEYS (5-PACK) (4X6X18MM) (136/291CC)
27	532 43 80-04	GOVERNOR ARM PADDLE	82	585 02 05-04	136CC CARBURETOR SPACER KIT
28	585 77 12-01	RECOIL STARTER (SINGLE-STAGE 78" ROPE)	86	586 32 73-01	CYLINDER HEAD BOLT KIT (4) (136-179-208-254CC)
29	532 43 79-91	STARTER CUP (136CC SNOW)	87	586 32 71-01	CC COVER BOLT KIT (7) (136CC)
30	532 43 79-93	BLOWER HOUSING - BLACK MANUALSTART (136CCSS SNOW)	88	586 32 68-01	MUFFLER MTG STUD KIT (2)
31	580 94 12-01	CRANKCASE COVER W/ THREADED OIL FILL TUBE	91	587 99 41-01	CRANKSHAFT GASKET KIT 136CC
31	581 36 35-01	CRANKCASE COVER W/PRESSED-IN OIL FILL TUBE	9999	586 32 63-01	HIGH ALTITUDE JET (>6,000 FEET)(136CC L13 CARBURETOR)
32	532 43 80-08	OIL SEAL KIT (136CC)	9999	579 80 64-01	BOLT KIT - BLWR HGS/ HEATER BOX/TANK SKIRT
34	532 43 69-66	SPARK PLUG BOOT - WITH METAL SHIELD (SNOW)			
35	N/A	N/A			
36	532 43 80-13	ENGINE GASKET KIT (136CC)			
37	532 42 09-61	SMALL BLACK OIL DIPSTICK (PLASTIC)			

NOTE: All component dimensions given in U.S. inches. 1 inch = 25.4 mm
IMPORTANT: Use only Original Equipment Manufacturer (O.E.M.) replacement parts.
 Failure to do so could be hazardous, damage your snow thrower and void your warranty.

