



Parts Manual

Zero Turn Mower / MZ 48

967 262701-00

Please read the operator manual carefully
and make sure you understand
the instructions before using the machine.



When you need spare parts or support in service questions, warranty issues, etc., please consult the following professional:

This manual belongs to the machine with the manufacturing number:	Engine	Transmission

Manufacturing Number

The machine's manufacturing number can be found on the printed plate affixed to the engine compartment.

Stated on the plate, from the top are:

- The machine's type designation (I.D.).
- The manufacturer's type number (Model).
- The machine's serial number (Serial no.)

Please have the type designation and serial number available when ordering spare parts.

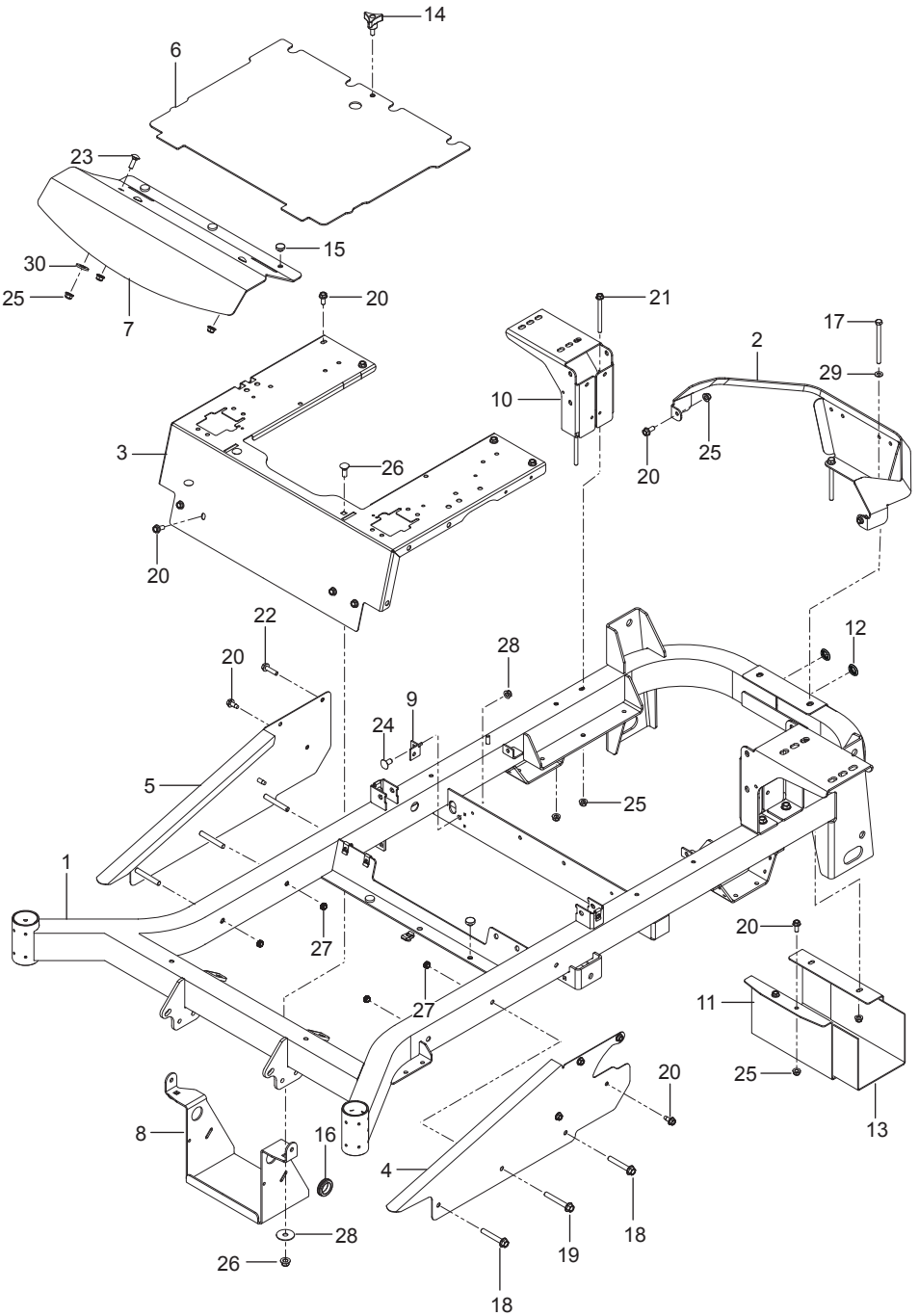
CONTENTS

FRAME	4
ENGINE MOUNTING, GUARDS & MUFFLER	6
STEERING	8
IGNITION SYSTEM.....	10
PARKING BRAKE	12
HYDRAULIC PUMP-MOTOR.....	14
WHEELS & TIRES	16
MOWER LIFT / DECK LIFT.....	18
MOWER DECK / CUTTING DECK	20
SEAT	22
DECALS	24

Illustrations may or may not represent the actual assemblies and it is not recommended to use this manual as a guide to assemble or disassemble the mower.

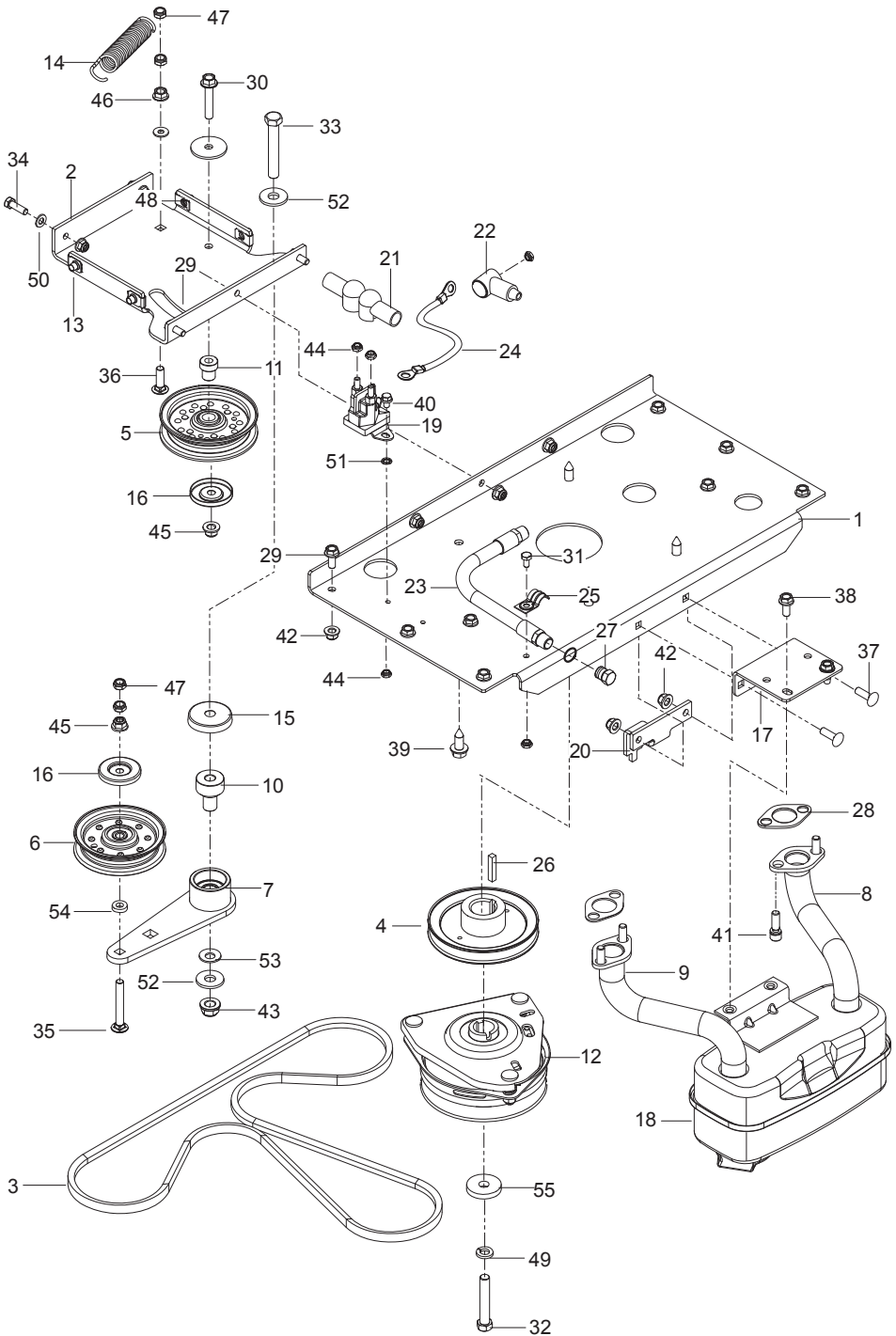
NOTE: All fasteners are Grade 5 unless otherwise specified.

FRAME



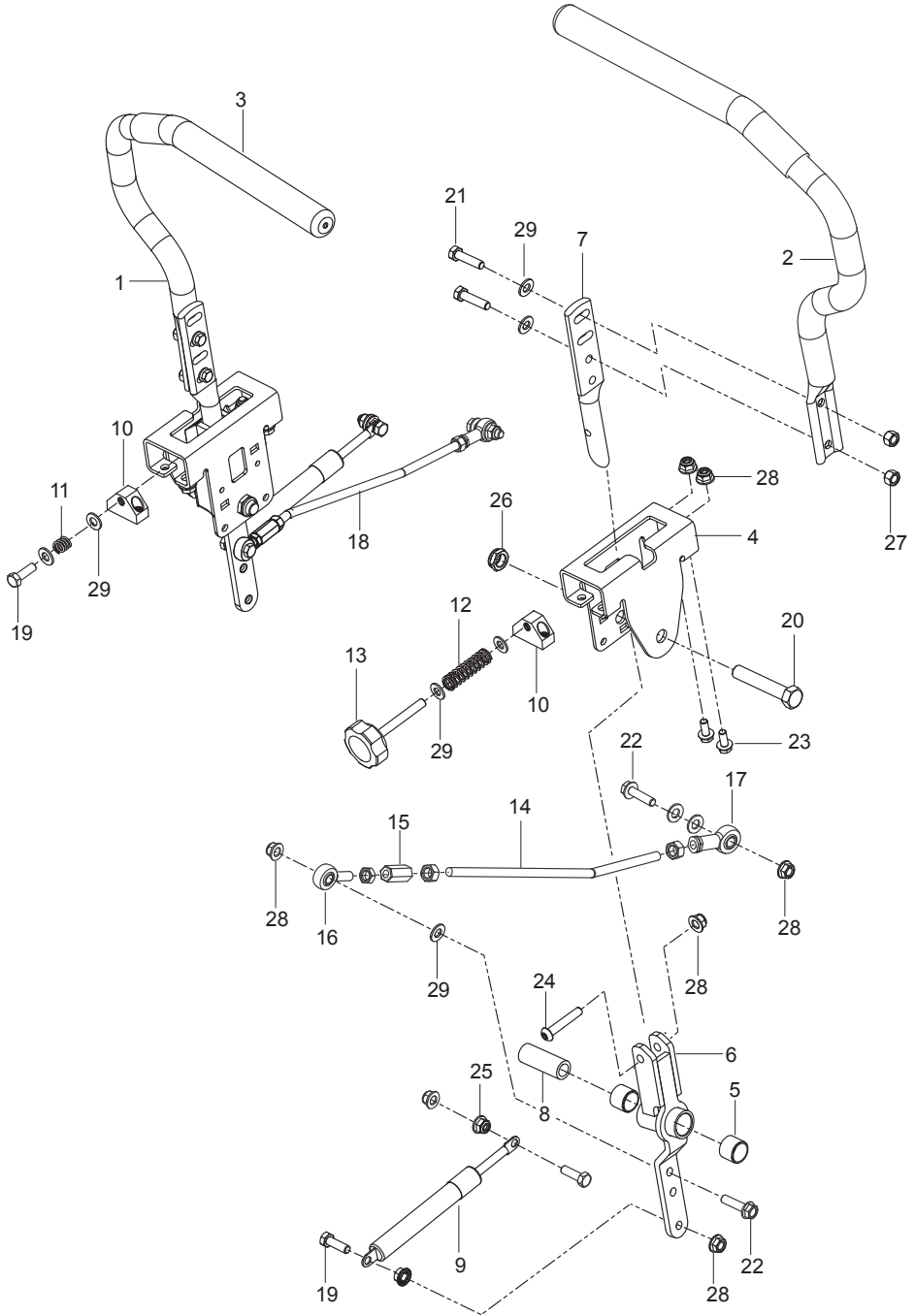
Ref.	Part No.	Qty	Description
1	501 65 60-01	1	Frame w/ Safety Decals Orange
2	586 89 30-02	1	Guard, Rear Gry
3	586 86 77-02	1	Support, Seat Orange
4	539 13 15-77	1	Side, Left Black
5	539 13 15-79	1	Side, Right Black
6	539 13 27-44	1	Plate w/ Safety Decal
7	539 13 23-80	1	Plate, Footrest Orange
8	587 04 87-02	1	Bracket, Battery Black
9	575 24 52-02	2	Bracket, Dampener Black
10	575 53 36-02	2	Mount, Tank Black
11	575 23 04-02	1	Shield, Muffler Black
12	587 99 05-01	2	Plug, Frame
13	539 13 28-59	1	Shield, Heat
14	539 10 44-11	1	Knob w/ Stud
15	539 10 25-87	7	Grommet, Bumper
16	539 10 59-74	1	Grommet, Rubber
17	539 10 23-35	2	Bolt 5/16-18 x 4 Hex Head
18	539 13 30-06	2	Bolt 3/8-16 x 2 1/2 Hex Flange Head
19	874 49 06-44	2	Bolt 3/8-16 x 2-3/4 Hex Flange Head
20	874 49 05-12	18	Bolt 5/16-18 x 3/4 Hex Flange Head
21	874 49 05 60	4	Bolt 5/16-18 x 3-3/4 Hex Flange Head
22	525 54 40-01	1	Bolt 5/16-18 x 1-1/4 Hex Flange Head
23	539 99 02-08	3	Bolt 5/16-18 x 1 Round Head Square Neck
24	539 10 91-17	2	Bolt 3/8-16 x 3/4 Round Head Square Neck Black
25	539 11 28-99	12	Nut 5/16-18 Hex Flange Nyloc
26	521 99 65-01	2	Nut 3/8-16 Hex Flange Nyloc
27	539 20 02-82	6	Nut 3/8-16 Hex Jam Nyloc
28	819 13 24-16	2	Washer 16 Gauge Flat
29	819 11 11-16	2	Washer 5/16 SAE Flat Thick
30	539 99 02-50	1	Washer

ENGINE MOUNTING, GUARDS & MUFFLER



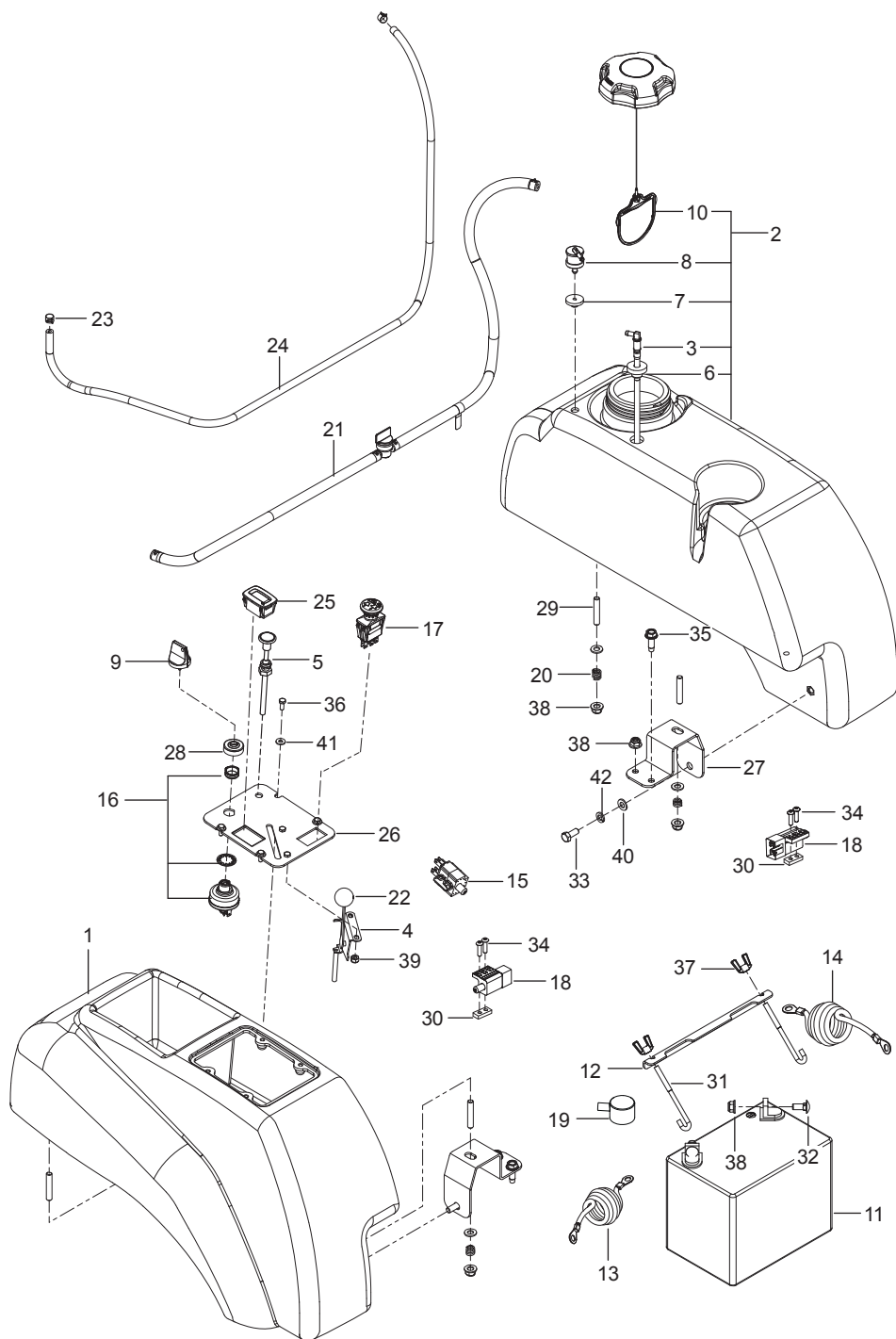
Ref.	Part No.	Qty	Description
1	586 65 14-02	1	Plate, Engine Black
2	586 67 04-02	1	Plate, Idler Support Black
3	574 87 09-01	1	Belt, Hydro
4	585 81 37-01	1	Pulley
5	539 97 66-88	1	Pulley, Idler
6	532 17 58-20	1	Pulley, Idler Secondary
7	510 04 16-03	1	Arm, Idler W/ Bearings
8	583 95 48-01	1	Exhaust Tube, Right
9	583 95 45-01	1	Exhaust Tube, Left
10	510 20 63-01	1	Pivot, Bearing
11	525 43 56-01	1	Pivot, Idler
12	532 17 93-35	1	Clutch
13	539 10 47-63	4	Retainer, U Type
14	510 25 44-01	1	Spring, Pump
15	539 11 46-62	1	Shield, Dust
16	510 25 45-01	2	Shield, Dust
17	575 22 99-02	1	Bracket, Muffler Black
18	539 13 16-04	1	Muffler
19	582 04 28-01	1	Solenoid
20	585 81 36-01	1	Stop, Clutch
21	532 13 15-63	2	Insulator
22	539 10 27-59	1	Insulator
23	584 82 55-01	1	Hose, Drain
24	539 10 27-57	1	Cable, Positive
25	539 10 13-63	1	Clamp
26	539 91 27-57	1	Key 1/4 Square x 1-1/4
27	585 80 71-01	1	Plug, Oil Drain
28	586 83 99-01	2	Gasket, Muffler
29	874 49 05-12	11	Bolt 5/16-18 x 3/4 Hex Flange Head
30	874 49 06-32	1	Bolt 3/8-16 x 2 Hex Flange Head
31	539 99 00-71	1	Bolt 1/4-20 x 1/2 Hex Head
32	581 33 28-02	1	Bolt 7/16-20 x 2-1/2 Hex Head
33	539 10 34-33	1	Bolt 1/2-13 x 3-1/4 Hex Head
34	539 99 02-09	2	Bolt 5/16-18 x 1 Hex Head
35	539 13 02-35	1	Bolt 3/8-16 x 2-3/4 Round Head Square Neck
36	539 10 04-13	1	Bolt 3/8-16 x 1-1/4 Round Head Square Neck
37	539 10 72-71	2	Bolt 5/16-18 x 1 Round Head Square Neck
38	817 49 05-12	2	Screw 5/16-18 x 3/4 Thread Form
39	817 12 06-16	4	Screw 3/8-16 x 1 Thread Form
40	817 49 04-06	2	Screw 1/4-20 x 3/8 Thread Form
41	532 19 23-34	4	Screw 5/16-18 x 3/4 Socket Head
42	539 11 28-99	15	Nut 5/16-18 Hex Flange Nyloc
43	521 99 11-01	1	Nut 1/2-13 Flange Nyloc
44	539 10 81-20	4	Nut 1/4-20 Thin Nyloc
45	521 99 65-01	2	Nut 3/8-16 Flange Nyloc
46	539 99 06-13	1	Nut 3/8-16 Whiz Lock
47	539 20 02-82	4	Nut 3/8-16 Jam Nyloc
48	539 11 18-97	1	Washer 3/8 Special
49	539 99 02-47	1	Washer 7/16 Slotted Lock
50	819 11 11-16	2	Washer 5/16 SAE
51	539 99 00-53	1	Washer 1/4 Internal Tooth Lock
52	539 10 95-54	2	Washer 1/2
53	539 11 55-28	1	Washer 1/2 Belleville
54	539 10 95-62	1	Washer 3/8
55	539 10 65-04	1	Washer, Harden

STEERING



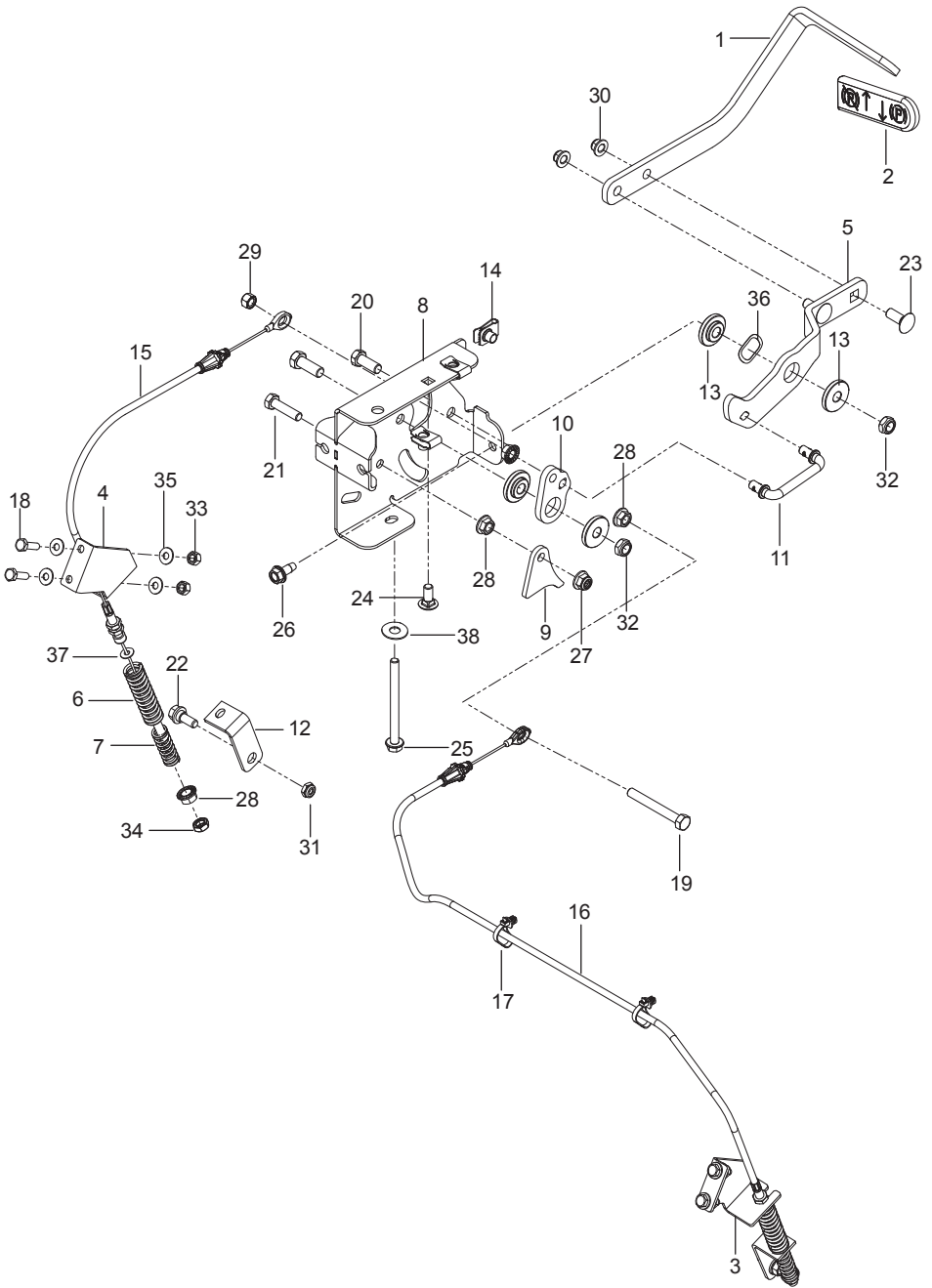
Ref.	Part No.	Qty	Description
1	539 13 20-09	1	Lever w/ Grip Right
2	539 13 20-10	1	Lever w/ Grip Left
3	539 13 08-94	2	Grip, Foam
4	585 12 47-05	2	Bracket, Control
5	532 43 82-82	4	Bearing
6	587 18 77 01	2	Lever, Control
7	577 42 00-01	2	Lever, Handle
8	584 92 72-01	2	Spacer, Pivot Control
9	539 10 27-20	2	Dampener
10	581 43 75-01	2	Block, Tracking
11	539 10 28-45	1	Spring
12	576 85 03-01	1	Spring
13	539 13 17-99	1	Knob
14	574 81 14-01	2	Rod, Motion Control
15	539 11 66-89	2	Coupler, Rod End
16	539 11 66-90	2	Rod End Left
17	539 11 57-29	2	Rod End Right
18	575 25 65-01	2	Assembly, Control Linkage
19	874 78 05-20	5	Bolt 5/16-18 x 1-1/4 Hex Head
20	874 78 08 44	2	Bolt 1/2-13 x 2-3/4 Hex Head
21	539 97 69-35	4	Bolt 5/16-18 x 1-1/2 Hex Head
22	525 54 40-01	4	Bolt 5/16-18 x 1-1/4 Tap
23	874 49 05 12	8	Bolt 5/16-18 x 3/4 Hex Flange Head
24	576 85 04-02	2	Screw 5/16-18 x 1-3/4 Button Head
25	539 99 05-85	4	Nut 5/16-18 Hex Whiz Lock
26	539 10 80-10	2	Nut 1/2-13 Hex Jam Nyloc Grade 2
27	539 99 07-17	6	Nut 5/16-18 Hex Nyloc
28	539 11 28-99	10	Nut 5/16-18 Hex Flange Nyloc
29	819 11 11-16	12	Washer 5/16 Sae Flat

IGNITION SYSTEM



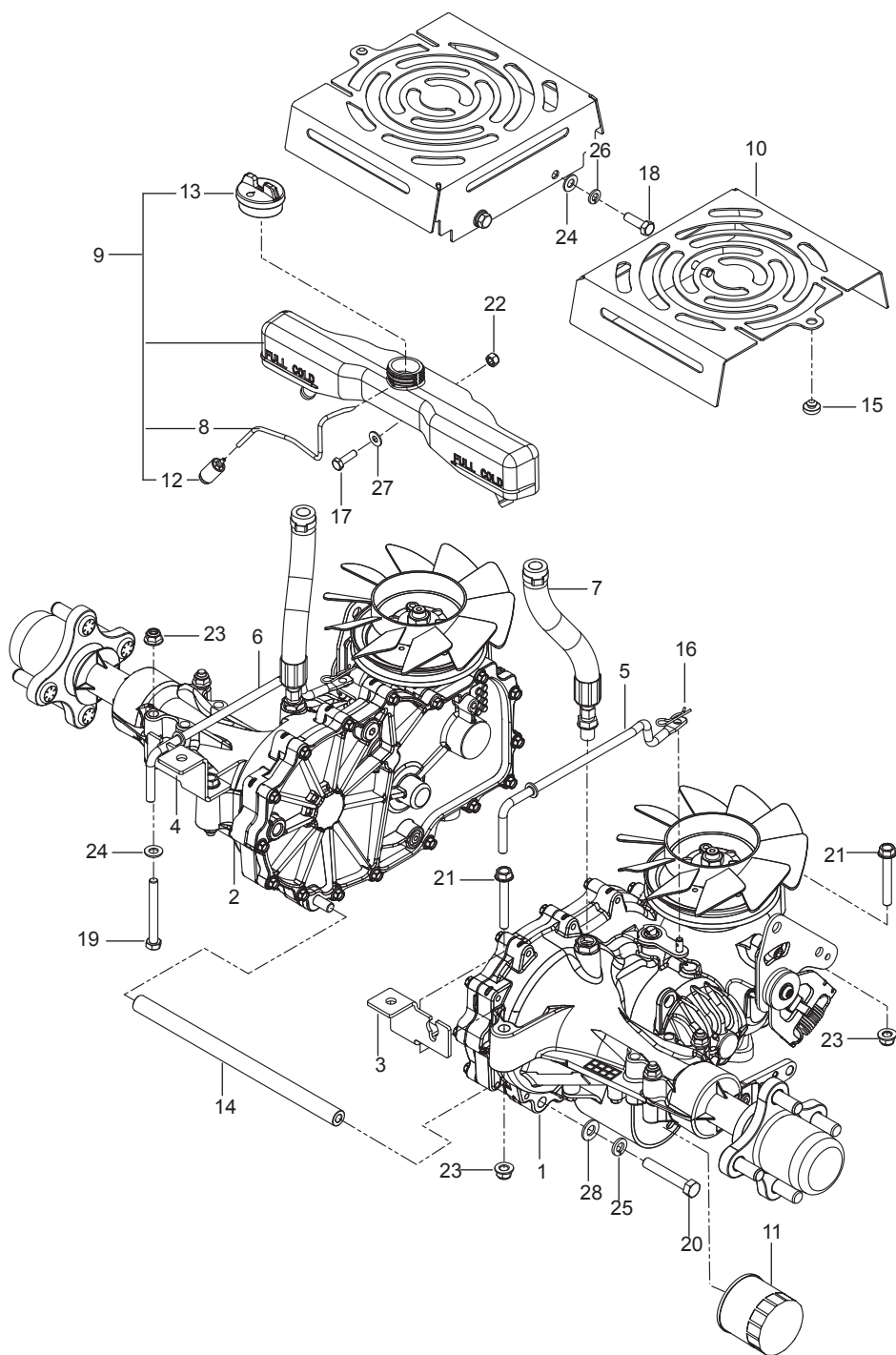
Ref.	Part No.	Qty	Description
1	539 10 75-93	1	Console, Right Gray
2	585 72 23-01	1	Assembly, Tank Left Gray
3	576 46 92-01	1	Fitting, Fuel
4	539 10 27-32	1	Control, Throttle
5	539 11 34-58	1	Control, Choke
6	539 10 52-45	1	Grommet, Rubber
7	576 61 82-01	1	Grommet, Check Valve
8	576 61 81-01	1	Valve, Fuel Check
9	574 45 55-01	1	Key
10	575 01 81-01	1	Fuel Cap w /Tether
11	539 10 24-36	1	Battery
12	588 10 72-01	1	Bracket, Battery Mount
13	588 03 07-01	1	Cable, Battery Pos Red
14	588 03 08-01	1	Cable, Battery Neg Black
15	539 11 37-92	1	Switch, Brake
16	574 45 54-01	1	Switch, Ignition
17	539 13 16-27	1	Switch, PTO
18	532 10 95-53	2	Switch, Interlock
19	532 43 53-95	1	Cover, Terminal
20	539 10 28-45	6	Spring
21	586 12 39-01	1	Assembly, Fuel Hose
22	539 13 30-49	1	Knob
23	575 43 65-01	2	Clamp, Hose
24	587 04 45-39	1	Hose 3/16 Vapor
25	586 16 18-01	1	Meter, Service
26	574 84 12-04	1	Plate, Console, Black
27	539 13 16-71	2	Support, Tank Black
28	539 10 31-78	1	Nutcap, Switch
29	539 10 25-02	6	Stud, Tank
30	581 22 30-01	2	Plate, Nut
31	510 06 40-01	2	Hook, J
32	872 14 05-06	2	Bolt 5/16-18 x 3/4 Round Head Square Neck
33	874 78 05-12	2	Bolt 5/16-18 x 3/4 Hex Head
34	574 82 27-01	4	Screw #10-24 x 3/4 Socket Head
35	539 99 04-11	6	Screw #10-24 x 1/2 Slotted Hex Head
36	817 49 05-16	3	Screw 5/16-18 x 1 Washer Head
37	539 99 09-97	2	Nut 1/4-20 Wing Nut Nyloc
38	539 11 28-99	13	Nut 5/16-18 Hex Flange Nyloc
39	539 97 69-77	2	Nut #10-24 Hex Nylon Ring
40	819 11 11-16	8	Washer 5/16 SAE Flat
41	819 07 08-18	4	Washer 1/2 18 Gauge
42	810 03 05-00	2	Washer, Slotted Lock
	NOT SHOWN		
	585 99 97-01	1	Harness, Wiring

PARKING BRAKE



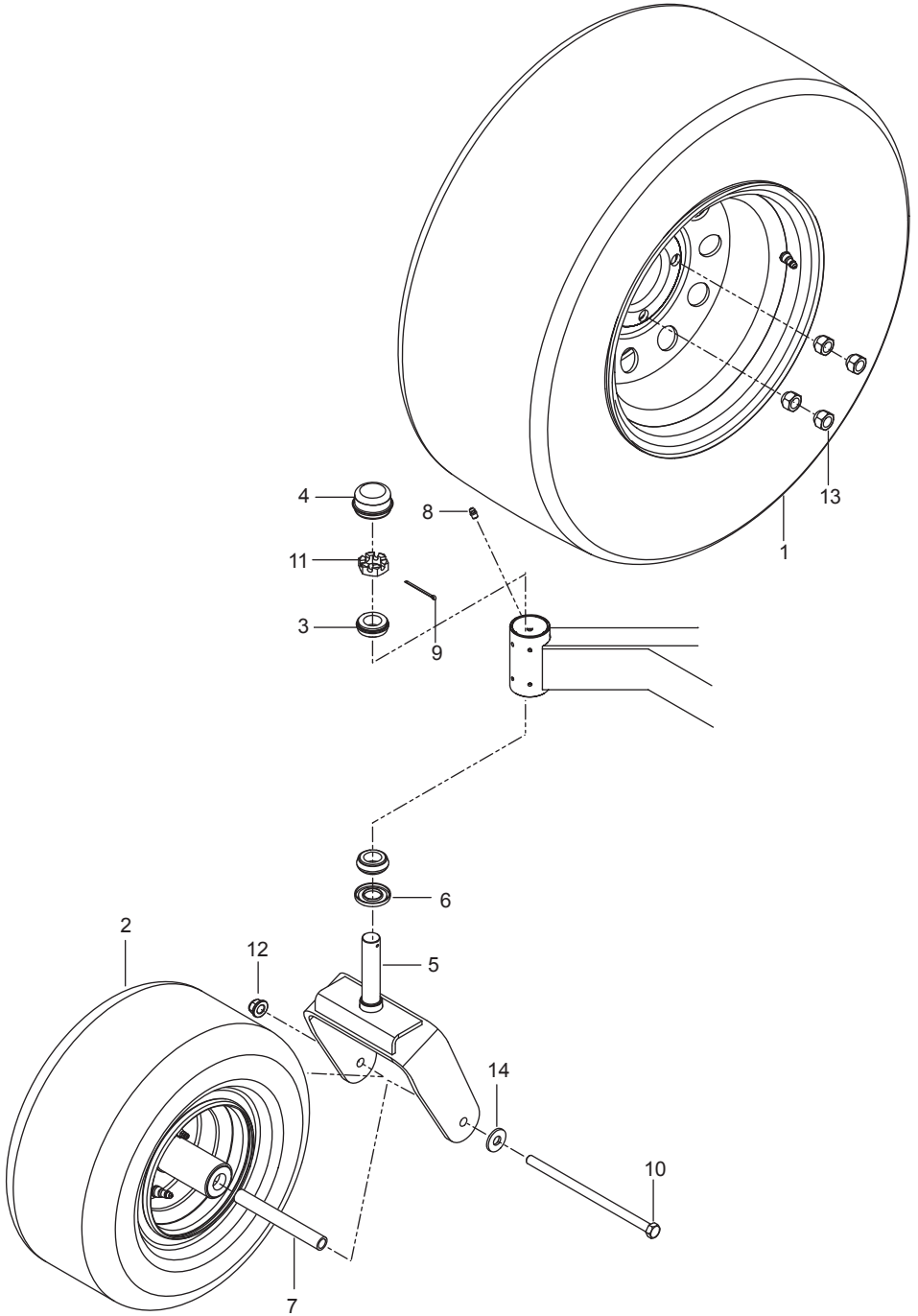
Ref.	Part No.	Qty	Description
1	539 13 21-51	1	Arm, Brake
2	539 10 50-36	1	Grip, Brake Handle
3	575 22 96-02	1	Bracket, Right Black
4	575 22 97-02	1	Bracket, Left Black
5	586 73 88-02	1	Lever, Brake
6	575 23 02-01	2	Spring, Return
7	575 23 03-01	2	Spring, Engagement
8	586 83 00-02	1	Mount, Brake
9	539 13 21-54	1	Actuator, Switch
10	539 13 21-53	1	Bellcrank, Brake
11	539 13 24-24	1	Linkage, Brake
12	575 22 98-02	2	Bracket, Brake
13	539 13 21-61	4	Bushing, Brake
14	539 10 47-63	3	Retainer, U Type 5/16-18
15	582 12 18-01	1	Cable, Brake Short
16	582 12 20-01	2	Cable, Brake Long
17	505 28 00-01	2	Tie Wrap w/ Clip
18	539 99 06-43	4	Bolt 1/4-20 x 7/8 Hex Head
19	539 10 83-96	1	Bolt 5/16-18 x 2-1/2 Hex Head Tap
20	539 99 05-63	2	Bolt 3/8-16 x 1 Hex Head
21	539 99 02-09	1	Bolt 5/16-18 x 1 Hex Head
22	539 11 03-03	2	Bolt 5/16 Shoulder
23	539 99 06-45	2	Bolt 3/8-16 x 1 Round Head Square Neck
24	539 99 03-16	1	Bolt 5/16-18 x 3/4
25	539 13 17-80	1	Bolt 5/16-18 x 3-3/4 Hex Flange Head
26	874 49 05-12	1	Bolt 5/16-18 x 3/4 Hex Flange Head
27	539 11 28-99	2	Nut 5/16-18 Hex Flange Nyloc
28	539 99 05-85	5	Nut 5/16-18 Hex Whiz Lock
29	539 99 07-17	1	Nut 5/16-18 Hex Nyloc
30	521 99 65-01	2	Nut 3/8-16 Hex Flange Nyloc
31	539 11 56-17	2	Nut 5/16 Hex Nyloc Thin
32	539 20 02-82	2	Nut 3/8-16 Hex Jam Nyloc
33	539 97 69-78	4	Nut 1/4-20 Hex Nyloc
34	539 10 78-97	2	Nut 5/16-18 Hex Jam
35	539 99 00-55	8	Washer 1/4 SAE Flat
36	539 13 30-07	1	Washer, Wave
37	539 99 01-22	2	Washer 3/8 SAE
38	819 18 22-12	1	Washer 1/2 Flat

HYDRAULIC PUMP-MOTOR



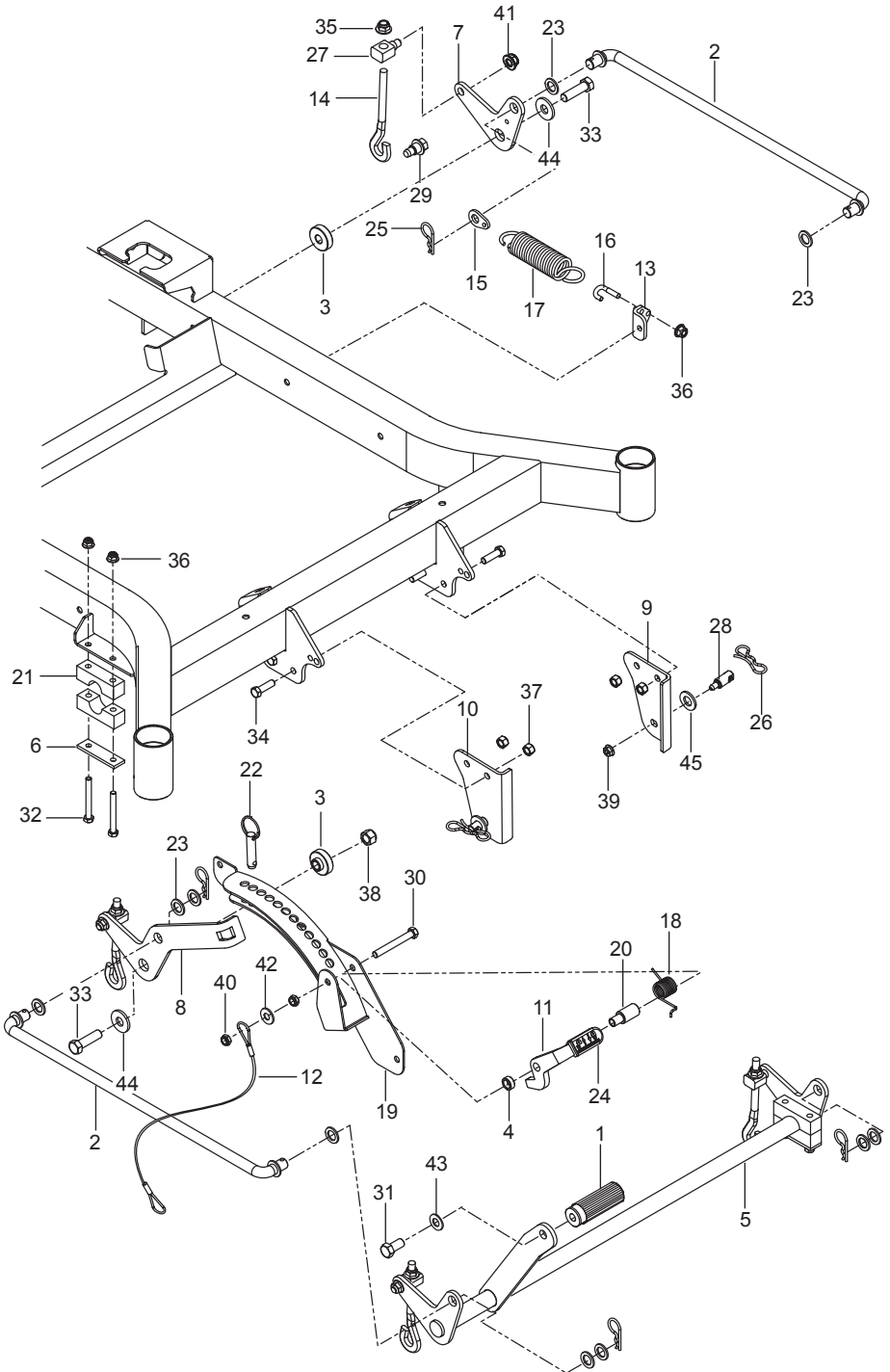
Ref.	Part No.	Qty	Description
1	577 22 77-02	1	Trans, ZT-3100, Left
2	577 22 77-01	1	Trans, ZT-3100, Right
3	575 01 71-02	1	Bracket, Trans, Left
4	575 01 70-02	1	Bracket, Trans, Right
5	539 13 16-16	1	Linkage, Bypass Left
6	539 13 16-18	1	Linkage, Bypass Right
7	574 89 21-01	2	Hose, Expansion
8	586 06 75-01	1	Hose, Fuel
9	585 31 82-01	1	Tank, Expansion
10	584 99 42-02	2	Cover, Fan
11	539 11 34-66	2	Filter, Hydro
12	530 09 56-46	1	Filter
13	586 07 27-01	1	Cap, Tank
14	574 86 85-01	1	Tube, Spacer
15	539 10 25-87	2	Grommet, Bumper
16	539 97 69-88	2	Pin
17	539 99 06-43	1	Bolt 1/4-20 x 7/8 Hex Head
18	539 99 02-09	4	Bolt 5/16-18 x 1 Hex Head
19	539 10 17-21	4	Bolt 5/16-18 x 2-3/4 Hex Head
20	539 10 85-51	2	Bolt 3/8-16 x 2-1/2 Hex Head Grade 8
21	574 23 38-01	4	Bolt 5/16-18 x 2-1/4 Hex Flange Head
22	539 97 69-78	1	Nut 1/4-20 Hex Nyloc
23	539 11 28-99	8	Nut 5/16-18 Hex Flange Nyloc
24	539 99 01-88	8	Washer 5/16 SAE Flat
25	539 99 01-18	2	Washer 3/8 Split Lock
26	539 99 01-87	4	Washer 5/16 Slotted Lock
27	539 99 00-55	1	Washer 1/4 SAE Flat
28	539 99 01-22	2	Washer 3/8 SAE Flat

WHEELS & TIRES



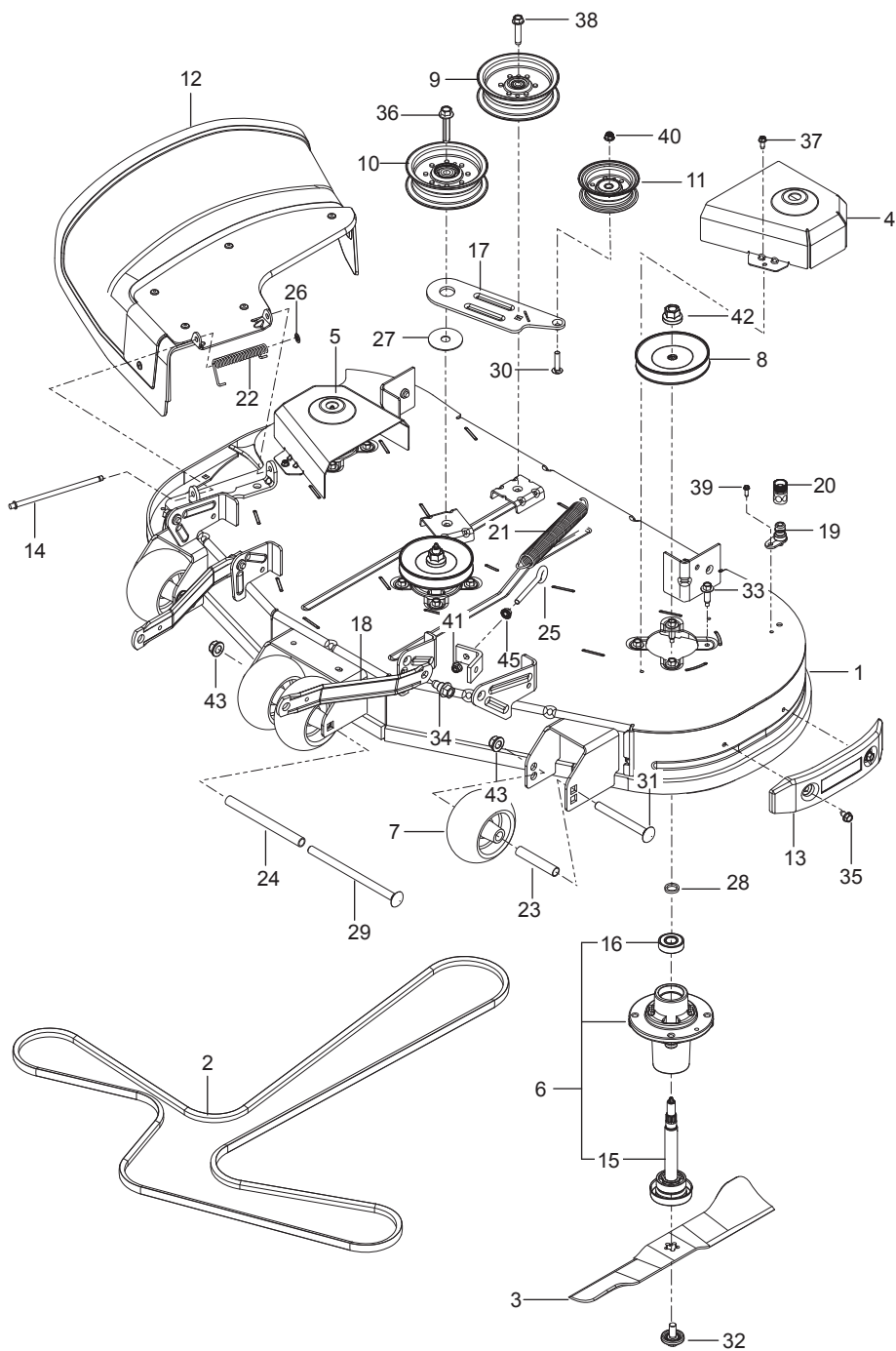
Ref.	Part No.	Qty	Description
1	580 74 70-01	2	Assembly, Wheel 22 x 10-10
	582 74 63-01	2	Tire, 22 x 10-10
2	581 19 95-01	2	Assembly, Wheel 13 x 6.5
3	539 10 25-43	4	Bearing
4	539 10 25-35	2	Cap, Grease
5	586 92 19-02	2	Yoke, Caster, Orange
6	539 10 28-51	2	Seal
7	575 33 49-01	2	Spacer, Pivot
8	539 10 14-74	2	Zerk
9	539 10 28-89	2	Pin 1/8 x 2 Cotter
10	539 10 55-17	2	Bolt 1/2-13 x 9-1/2 Hex Head
11	539 10 28-52	2	Nut 1-14 Slotted Jam
12	521 99 11-01	2	Nut 1/2-13 Hex Flange Nyloc
13	587 65 39-02	8	Nut 1/2-20 Lug
14	819 18 22-12	2	Washer 1/2 Flat

MOWER LIFT / DECK LIFT



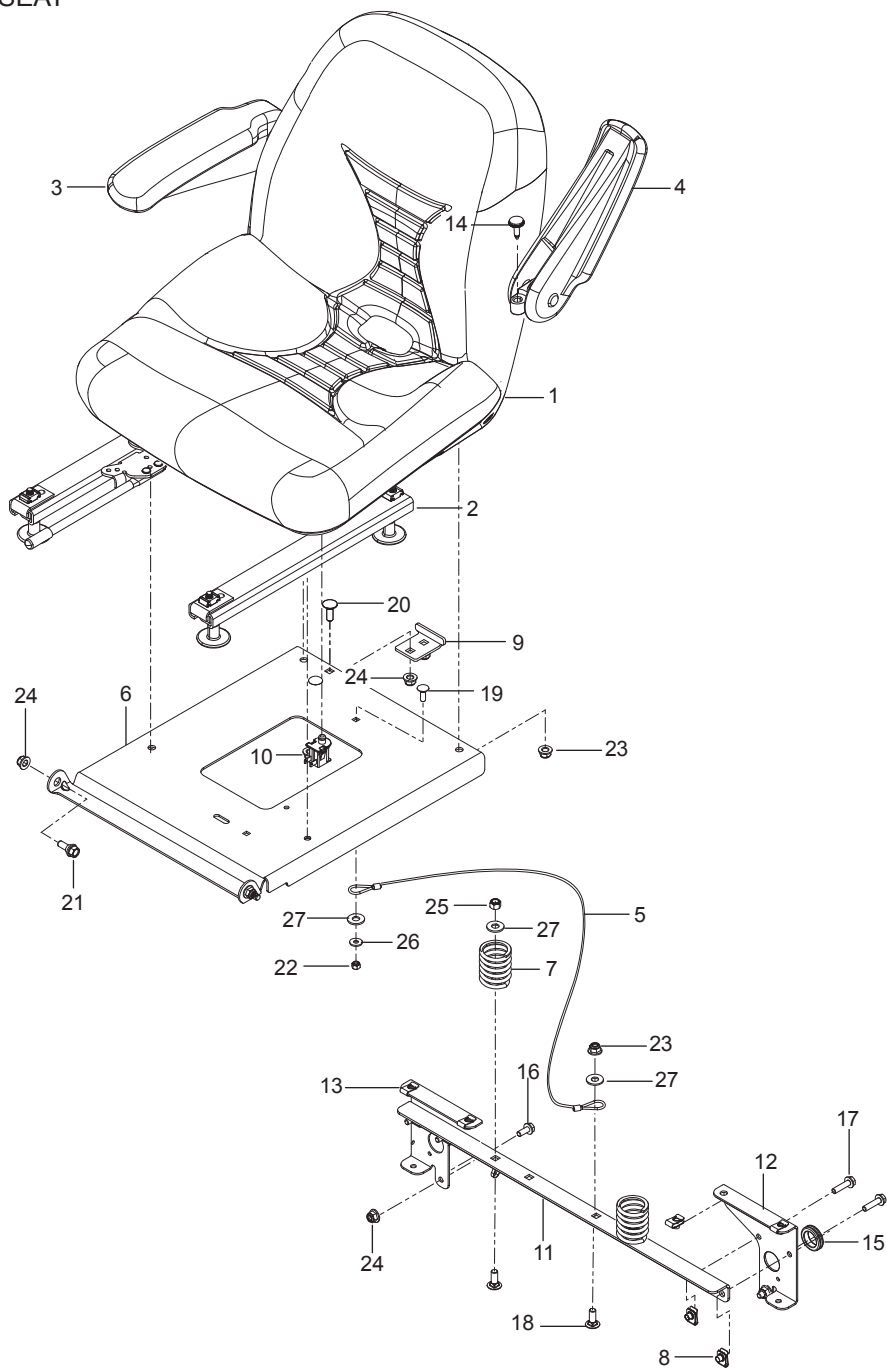
Ref.	Part No.	Qty	Description
1	510 40 83-01	1	Pedal, Foot
2	539 11 08-08	2	Link, Deck Lift
3	586 70 17-01	2	Spacer, Idler
4	539 13 18-61	1	Spacer
5	586 92 87-02	1	Shaft, Front Lift Black
6	584 39 27-02	2	Plate, Reinforcement
7	539 13 18-97	1	Bellcrank, Rear, Lift Black
8	539 13 18-53	1	Bellcrank, Rear, Right Black
9	588 81 21-02	1	Bracket, Suspension Left
10	588 81 20-02	1	Bracket, Suspension Right
11	539 13 15-66	1	Latch, Transport
12	539 10 50-59	1	Lanyard
13	539 13 17-91	1	Mount, Spring
14	588 78 33-01	4	Link
15	539 13 17-92	1	Tab, Spring
16	539 11 28-96	1	J-Bolt
17	539 10 26-42	1	Spring
18	539 13 27-34	1	Spring, Torsion
19	539 13 18-50	1	Height Adjust, Deck
20	539 13 18-60	1	Pivot Latch, Transport
21	539 10 48-08	4	Pillow Block
22	539 13 21-82	1	Pin 1/2 x 1-1/2 Detent Ring
23	539 99 10-43	10	Bushing 5/8
24	539 13 28-51	1	Grip
25	539 11 55-01	4	Pin 1-3/4 Cotter
26	532 19 42-09	2	Pin 7/16 Cotter Bowtie
27	532 17 62-05	4	Trunnion
28	532 19 51-61	4	Stud w/ Anti-Rotate
29	532 19 65-39	4	Bolt 3/8-16 Shoulder
30	874 78 06-48	1	Bolt 3/8-16 x 3 Hex Head
31	539 99 06-46	1	Bolt 1/2-13 x 1 Hex Head
32	539 10 17-21	4	Bolt 5/16-18 x 2-3/4 Hex Head
33	539 10 81-81	2	Bolt 1/2-13 x 1-3/4 Hex Head Grade 8
34	539 99 05-63	4	Bolt 3/8-16 x 1 Hex Head
35	532 40 02-44	4	Nut 3/8-16 Hex Flange Lock
36	539 11 28-99	5	Nut 5/16-18 Hex Flange Nyloc
37	539 97 69-79	4	Nut 3/8-16 Hex Nyloc
38	539 10 13-31	4	Nut 1/2-13 Hex Nyloc
39	873 90 05-00	2	Nut 5/16-18 Hex Flange Lock
40	539 20 02-82	2	Nut 3/8-16 Hex Jam Nyloc
41	873 90 06-00	4	Nut 3/8-16 Hex Flange Lock
42	819 14 16-14	1	Washer 3/8 Flat
43	539 10 28-43	1	Washer 7/16 Spring
44	539 10 95-54	2	Washer 1/2 Flat
45	819 19 19-12	2	Washer

MOWER DECK / CUTTING DECK



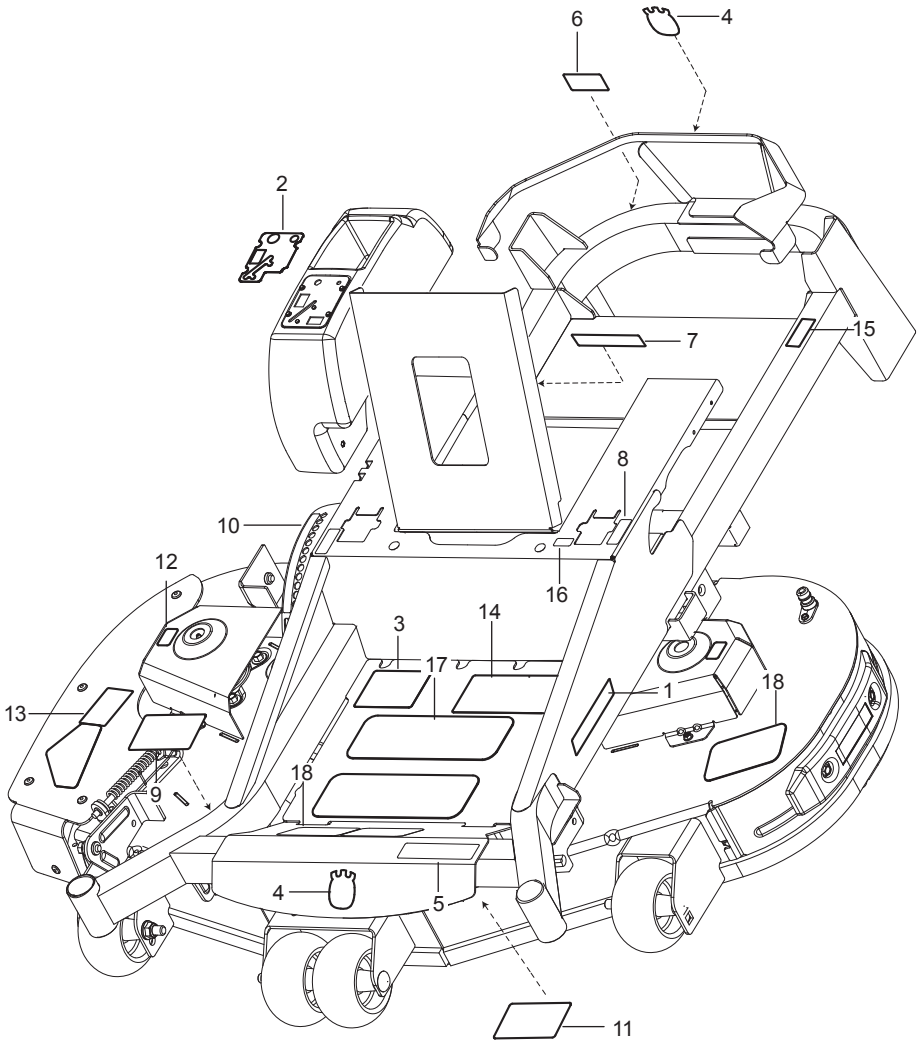
Ref.	Part No.	Qty	Description
1	588 79 82-02	1	Deck Orange
2	579 67 85-01	1	V-Belt
3	588 81 10-02	3	Blade, Bagging
4	588 81 28 02	1	Belt Shield, Left
5	588 81 24 02	1	Belt Shield, Right
6	539 11 21-70	3	Assembly, Mandrel
7	574 16 96-01	4	Wheel, Gauge
8	532 17 34-35	3	Pulley
9	532 19 61-06	1	Pulley, Idler
10	532 19 61-04	1	Pulley, Idler
11	532 19 31-97	1	Pulley, Idler
12	588 98 07-01	1	Deflector w/ safety decals
13	582 54 11-01	1	Bumper
14	532 13 14-91	1	Rod, Hinge
15	532 18 72-91	1	Shaft
16	532 11 04-85	1	Bearing
17	588 81 22 02	1	Arm, Idler
18	532 19 51-85	2	Arm, Suspension
19	532 41 55-98	1	Port, Washout
20	532 41 64-05	1	Coupling, Quick Connect
21	582 50 40-01	1	Spring, Deck Belt
22	587 35 47 01	1	Spring, Torsion
23	574 19 65-01	1	Tube 3-3/8 Roller
24	574 19 64-01	1	Tube 6-3/4 Roller
25	539 11 55-74	1	Eye Bolt 5/16 x 3-1/2
26	532 11 04-52	1	Pushnut
27	532 17 85-15	1	Washer 16 Gauge
28	532 18 76-90	3	Washer Spacer
29	872 14 08-64	2	Bolt 1/2-13 x 8 Round Head Square Neck
30	872 11 06-14	1	Bolt 3/8-16 x 1-3/4 Round Head Square Neck
31	510 02 23-01	2	Bolt 1/2-13 x 4-3/4 Round Head Square Neck
32	532 19 30-03	3	Bolt, Blade
33	584 95 39-01	12	Bolt 5/16-18 x 1-1/4 Hex Washer Head
34	532 19 65-39	4	Bolt 3/8-16 Shoulder
35	817 00 05-10	2	Screw 5/16-18 x 5/8 Hex Washer Head Serrated
36	588 43 83-01	1	Screw 7/16-14 x 2-1/8 Hex Washer Head
37	532 13 77-29	4	Screw 1/4-20 x 5/8 Hex Thread Form
38	817 49 06-28	1	Screw 3/8-16 x 1-3/4 Hex Thread Form
39	817 49 04-08	1	Screw 1/4-20 x 1/2 Hex Self Tap
40	873 90 06-00	1	Nut 3/8-16 Hex Flange Lock
41	539 11 28-99	1	Nut 5/16-18 Hex Flange Nyloc
42	532 40 02-34	3	Nut 9/16 Top Center Lock
43	521 99 11-01	2	Nut 1/2-13 Hex Flange Nyloc
44	532 11 04-52	1	Pushnut
45	539 99 05-85	1	Nut 5/16-18 Hex Whiz Lock

SEAT



Ref.	Part No.	Qty	Description
1	539 13 08-73	1	Assembly, Seat
2	539 11 20-37	1	Rail Set
3	539 11 20-35	1	Arm Rest Right
4	539 11 20-36	1	Arm Rest Left
5	539 10 32-47	1	Lanyard, Seat
6	501 76 21-02	1	Mount, Seat Orange
7	587 61 33-01	2	Spring, Seat Black
8	539 10 47-63	8	Retainer, U Type
9	539 13 07-93	1	Deck Stop
10	532 42 10-62	1	Switch, Seat
11	584 80 91-02	1	Support, Seat Black
12	584 99 01-02	1	Support, Right Black
13	584 99 02-02	1	Support, Left Black
14	588 99 39-01	2	Knob, Armrest
15	539 10 59-74	1	Grommet Rubber
16	874 49 05-12	2	Bolt 5/16-18 x 3/4 Hex Flange Head
17	525 54 40-01	4	Bolt 5/16-18 x 1-1/4 Hex Flange Head
18	872 14 06-08	3	Bolt 3/8-16 x 1 Round Head Square Neck
19	872 11 04-06	1	Bolt 1/4-20 x 3/4 Round Head Square Neck
20	872 05 05-06	2	Bolt 5/16-18 x 3/4 Round Head Square Neck
21	539 13 08-96	2	Bolt 5/16-18 Shoulder
22	873 80 04-00	1	Nut 1/4-20 Hex Nyloc
23	521 99 65-01	2	Nut 3/8-16 Hex Flange Nyloc
24	539 11 28-99	6	Nut 5/16-18 Hex Flange Nyloc
25	873 80 06-00	2	Nut 3/8-16 Hex Nyloc
26	819 09 12-16	1	Washer 1/4 Flat
27	819 14 16-14	4	Washer 3/8 Flat

DECALS



Ref.	Part No.	Qty	Description
1	532 42 91-96	2	Decal, Husqvarna
2	574 84 11-03	1	Decal, Console
3	586 34 25-01	1	Decal, Start
4	532 42 86-76	2	Decal, Crown H
5	589 48 06-01	1	Decal, MZ 48
6	539 10 57-44	1	Decal, Danger Belt Drive
7	539 10 57-45	1	Decal, Battery Warning
8	589 28 30-01	2	Decal, Motion Control
9	539 11 26-20	1	Decal, Belt Routing
10	539 13 20-39	1	Decal, Height Adjust
11	539 13 21-87	1	Decal, Service
12	589 35 79-01	2	Decal, No Step
13	586 97 88-01	1	Decal, Deflector
14	583 93 40-01	1	Decal, Warning
15	532 42 41-02	2	Decal, Spark Arrestor
16	585 14 26 01	2	Decal, Tracking
17	539 97 77-78	2	Pad, Abrasive Large
18	539 12 13-22	3	Pad, Abrasive Small

www.husqvarna.com

115 85 80-27 Rev A
2016-08-15