



Parts Manual

Zero Turn Mower / M-ZT 61

967 177007-01

Please read the operator manual carefully
and make sure you understand
the instructions before using the machine.



When you need spare parts or support in service questions, warranty issues, etc., please consult the following professional:

This manual belongs to the machine with the manufacturing number:	Engine	Transmission

Manufacturing Number

The machine's manufacturing number can be found on the printed plate affixed to the engine compartment.

Stated on the plate, from the top are:

- The machine's type designation (I.D.).
- The manufacturer's type number (Model).
- The machine's serial number (Serial no.)

Please have the type designation and serial number available when ordering spare parts.

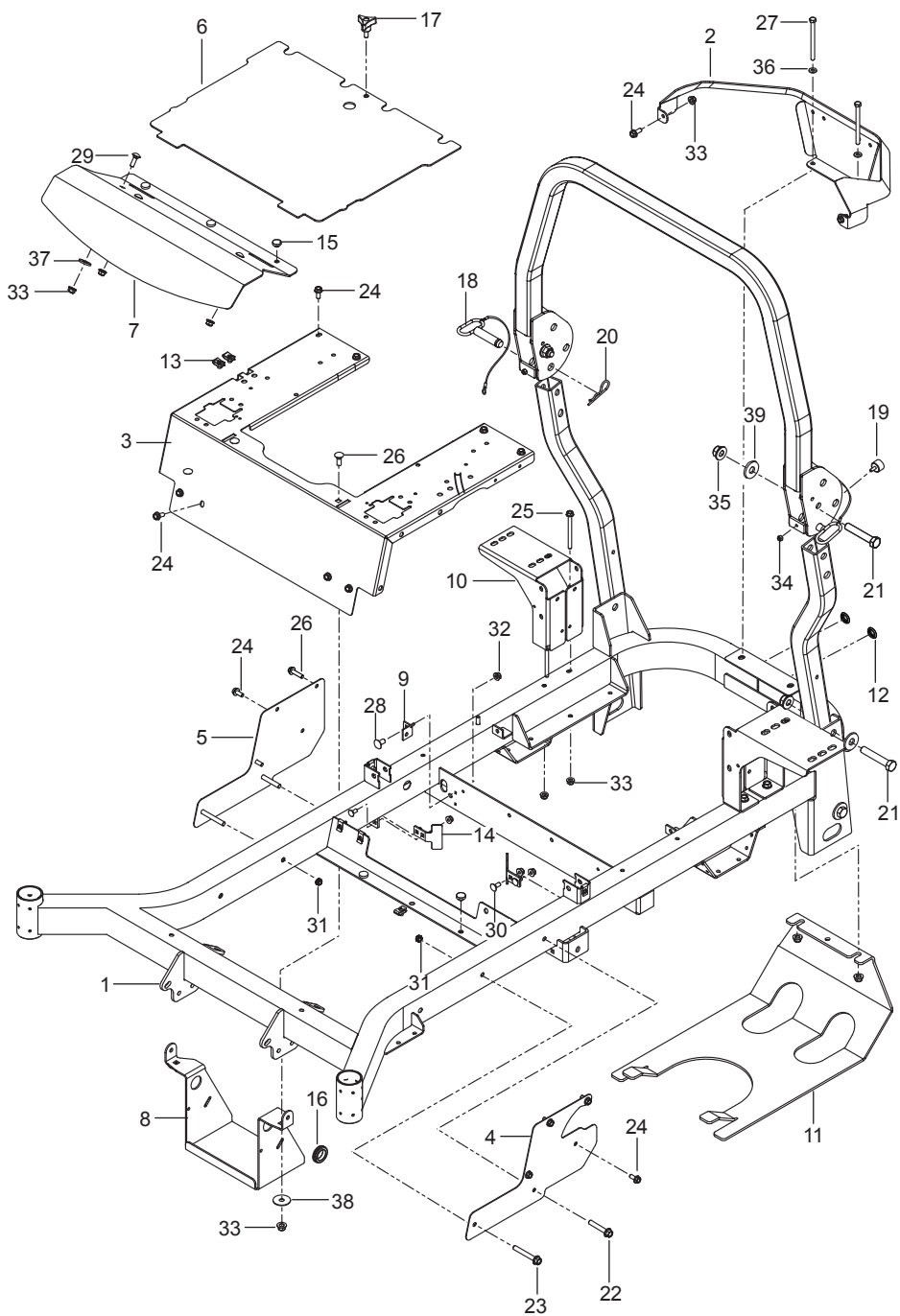
CONTENTS

FRAME	4
ENGINE MOUNTING, GUARDS & MUFFLER	6
STEERING	8
IGNITION SYSTEM.....	10
PARKING BRAKE	12
HYDRAULIC PUMP-MOTOR.....	14
WHEELS & TIRES	16
MOWER LIFT / DECK LIFT.....	18
MOWER DECK / CUTTING DECK	20
SEAT	22
DECALS	24

Illustrations may or may not represent the actual assemblies and it is not recommended to use this manual as a guide to assemble or disassemble the mower.

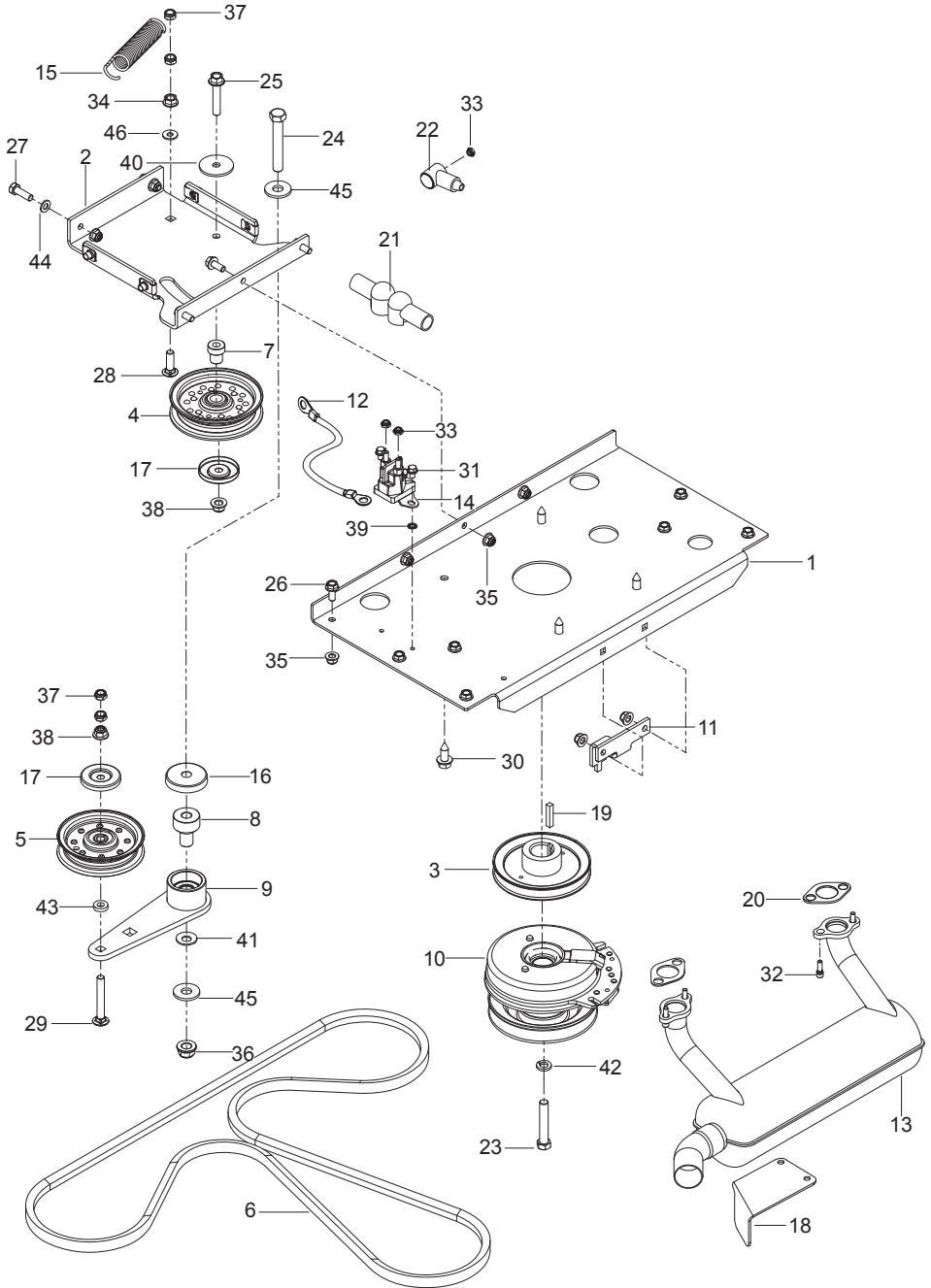
NOTE: All fasteners are Grade 5 unless otherwise specified.

FRAME



Ref.	Part No.	Qty	Description
1	501 65 60-01	1	Frame w/ Safety Decals Org
2	586 89 30-02	1	Guard, Rear Gry
3	586 86 77-02	1	Support, Seat Org
4	586 56 01-01	1	Side, Lt Blk
5	586 56 02-02	1	Side, Rt Blk
6	539 13 27-44	1	Plate w/ Safety Decal
7	539 13 23-80	1	Plate, Footrest Org
8	587 04 87-02	1	Bracket, Battery Blk
9	575 24 52-02	2	Bracket, Dampener
10	575 53 36-02	2	Mount, Tank Blk
11	521 92 18-05	1	Guard, Skid Gry
12	587 99 05-01	2	Plug, Frame
13	539 10 47-63	8	Retainer, U Type
14	505 25 64-01	2	Stop, Deck
15	539 10 25-87	7	Grommet, Bumper
16	539 10 59-74	1	Grommet, Rubber
17	539 10 44-11	1	Knob W/ Stud
18	574 38 80-01	2	Latch Pin w/ Lanyard
19	522 80 14-01	2	Bumper, Male Stud 1/4-20
20	539 20 07-15	2	Pin, Hair
21	580 75 46-01	6	Bolt 5/8-11 x 3-1/2 Hex Head
22	539 13 30-06	2	Bolt 3/8-16 x 2 1/2 Hex Flange Head
23	874 49 06-44	2	Bolt 3/8-16 x 2-3/4 Hex Flange Head
24	874 49 05-12	18	Bolt 5/16-18 x 3/4 Hex Flange Head
25	874 49 05 60	4	Bolt 5/16-18 x 3-3/4 Hex Flange Head
26	525 54 40-01	1	Bolt 5/16-18 x 1-1/4 Hex Flange Head
27	539 10 23-35	2	Bolt 5/16-18 x 4 Hex Head
28	872 05 06-06	2	Bolt 3/8-16 x 3/4 Round Head Square Neck
29	539 99 02-08	3	Bolt 5/16-18 x 1 Round Head Square Neck
30	872 14 05-06	2	Bolt 5/16-18 x 3/4 Round Head Square Neck
31	539 20 02-82	6	Nut 3/8-16 Hex Jam Nyloc
32	521 99 65-01	2	Nut 3/8-16 Hex Flange Nyloc
33	539 11 28-99	12	Nut 5/16-18 Hex Flange Nyloc
34	873 80 04-00	4	Nut 1/4-20 Hex Nyloc
35	525 82 91-01	6	Nut 5/8-11 Flange Nyloc
36	819 11 11-16	2	Washer 5/16 SAE Flat
37	539 99 02-50	1	Washer
38	819 13 24-16	2	Washer 16 Gauge Flat
39	539 10 26-53	4	Washer 5/8 Std Flat
	Not Shown		
	575 27 48-01	1	Assembly, ROPS w/ Seat Belt

ENGINE MOUNTING, GUARDS & MUFFLER



Ref.	Part No.	Qty	Description
1	586 65 14-02	1	Plate, Engine, Blk
2	586 67 04-02	1	Plate, Idler Support, Blk
3	574 81 10-01	1	Pulley, V, 1.125 Bore
4	539 97 66-88	1	Pulley, Idler
5	532 17 58 20	1	Pulley, Idler Secondary
6	574 87 09-01	1	Belt
7	525 43 56-01	1	Pivot, Idler
8	510 20 63-01	1	Pivot, Bearing
9	510 04 16-03	1	Arm, Idler w/ Bearings
10	574 60 70-01	1	Clutch, 200 Ft-Lb
11	575 01 73-02	1	Stop, Clutch Blk
12	539 10 27-57	1	Cable, Positive
13	576 70 18-01	1	Muffler, B&S Cyclonic
14	582 04 28-01	1	Solenoid
15	510 25 44-01	1	Spring, Pump
16	539 11 46-62	1	Shield, Dust
17	510 25 45-01	2	Shield, Dust
18	579 15 09-01	1	Shield, Muffler
19	539 91 27-57	1	Key 1/4 Sq x 1-1/4
20	532 16 53-91	2	Gasket, Muffler
21	532 13 15-63	2	Insulator
22	539 10 27-59	1	Insulator
23	581 33 28-02	1	Bolt 7/16-20 x 2-1/2 Hex Head
24	539 10 34-33	1	Bolt 1/2-13 x 3-1/4 Hex Head
25	874 49 06-32	1	Bolt 3/8-16 x 2 Hex Flange Head
26	874 49 05-12	11	Bolt 5/16-18 x 3/4 Hex Flange Head
27	874 78 05-16	2	Bolt 5/6-18 x 1 Hex Head
28	539 10 04-13	1	Bolt 3/8-16 x 1-1/4 Round Head Square Neck
29	539 13 02-35	1	Bolt 3/8-16 x 2-3/4 Round Head Square Neck
30	817 12 06-16	4	Screw 3/8-16 x 1 Thread Form
31	539 99 03-02	2	Screw 1/4-20 x 3/8 Thread Form
32	532 18 39-06	4	Screw 5/16-18 x 1 Socket Head
33	539 10 81-20	2	Nut 1/4-20 Hex Thin
34	539 99 06-13	1	Nut 3/8-16 Hex Whiz Lock
35	539 11 28-99	15	Nut 5/16-18 Hex Flange Nyloc
36	521 99 11-01	1	Nut 1/2-13 Hex Flange Nyloc
37	539 20 02-82	4	Nut 3/8-16 Hex Jam Nyloc
38	521 99 65-01	2	Nut 3/8-16 Hex Flange Nyloc
39	539 99 00-53	1	Washer 1/4 Internal Tooth Lock
40	539 11 18-97	1	Washer, Special
41	539 11 55-28	1	Washer 1/2 Belleville
42	539 99 02-47	1	Washer 7/16 Slotted
43	539 10 95-62	1	Washer 3/8 x 3/4
44	819 11 11-16	2	Washer 5/16 SAE Flat
45	819 18 22-12	2	Washer 1/2 Flat
46	819 14 16-14	1	Washer 3/8 Flat

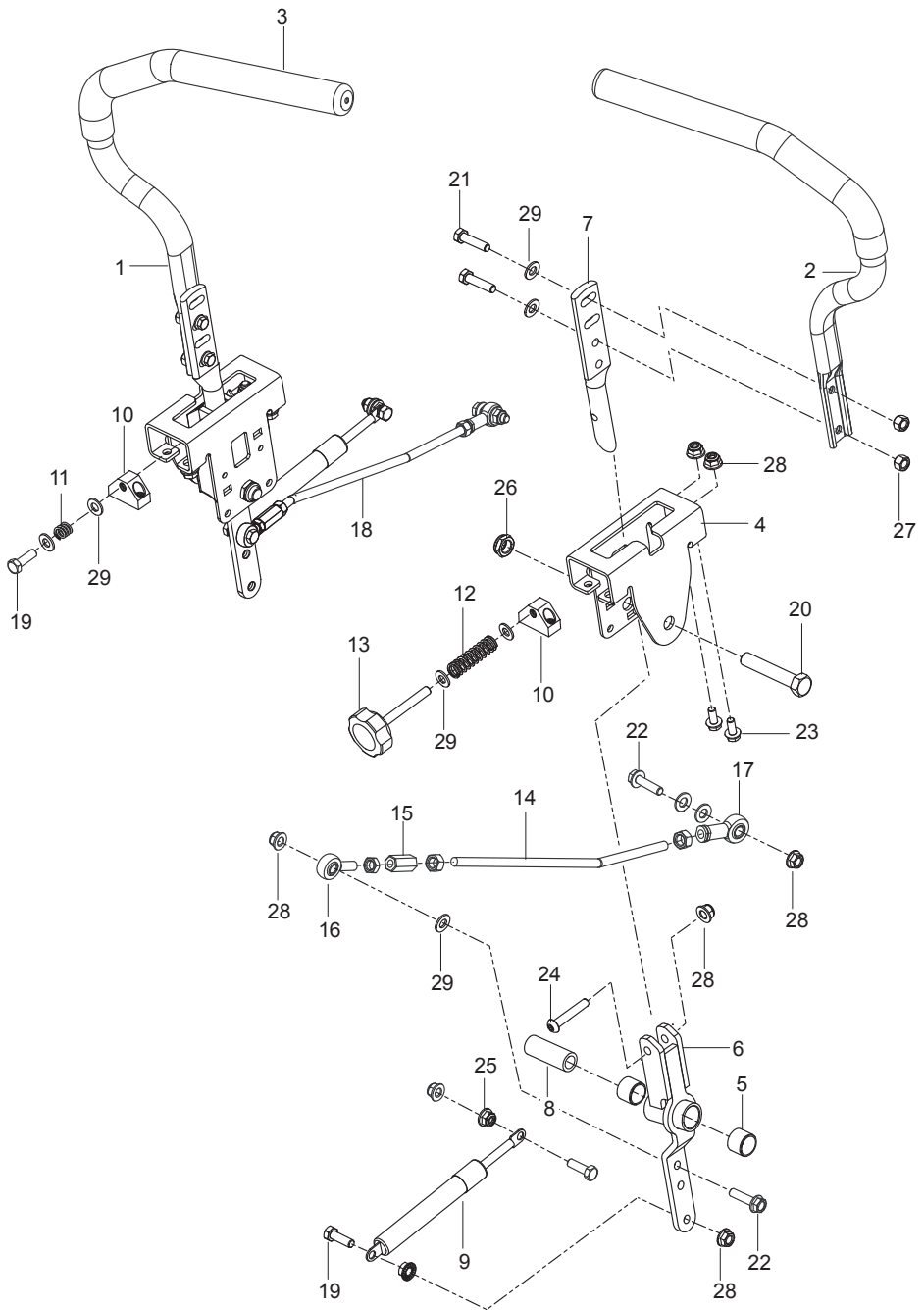
Not Shown

Engine, Briggs & Stratton

49T877 27 Hp

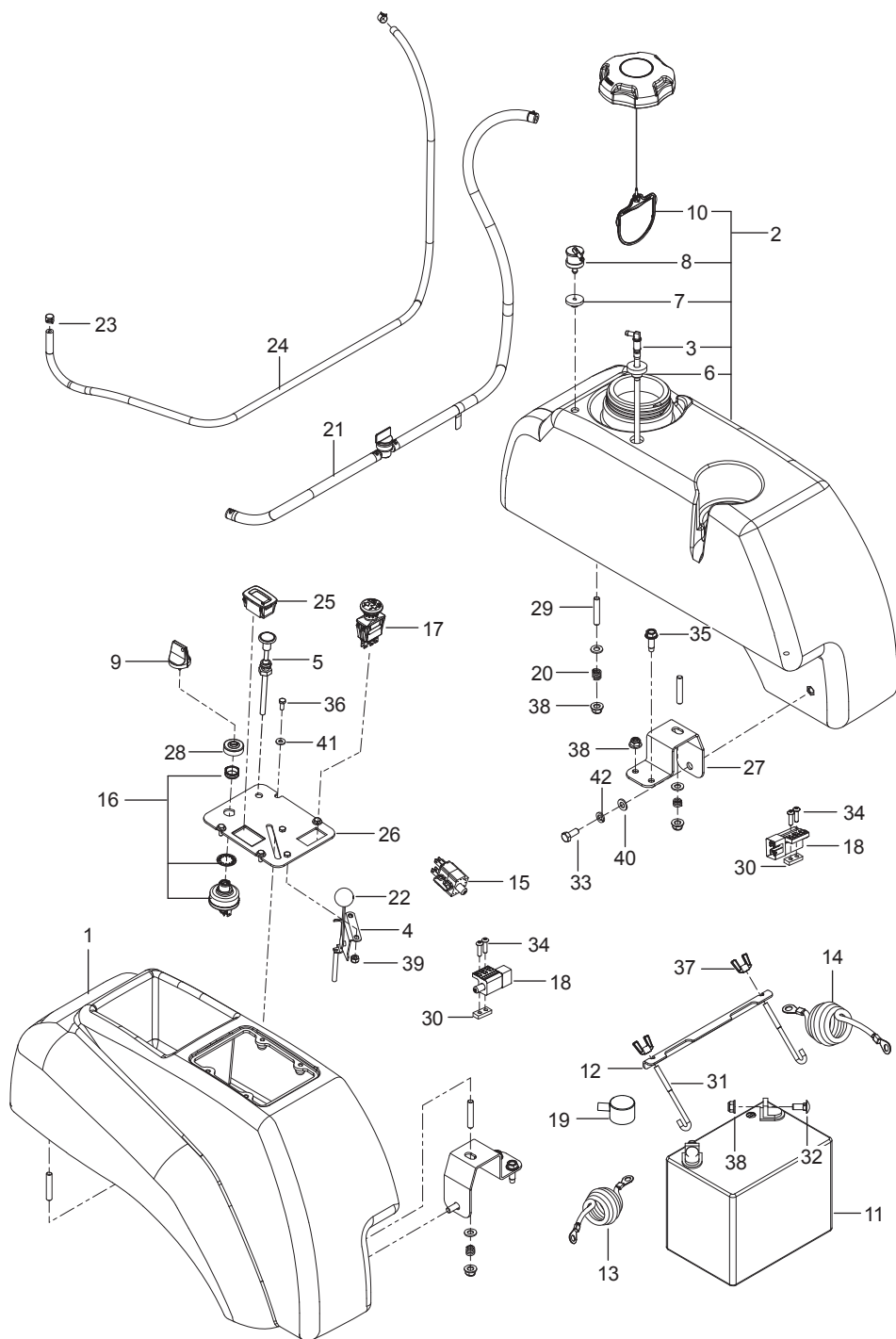
For Engine replacement parts, See B&S dealer

STEERING



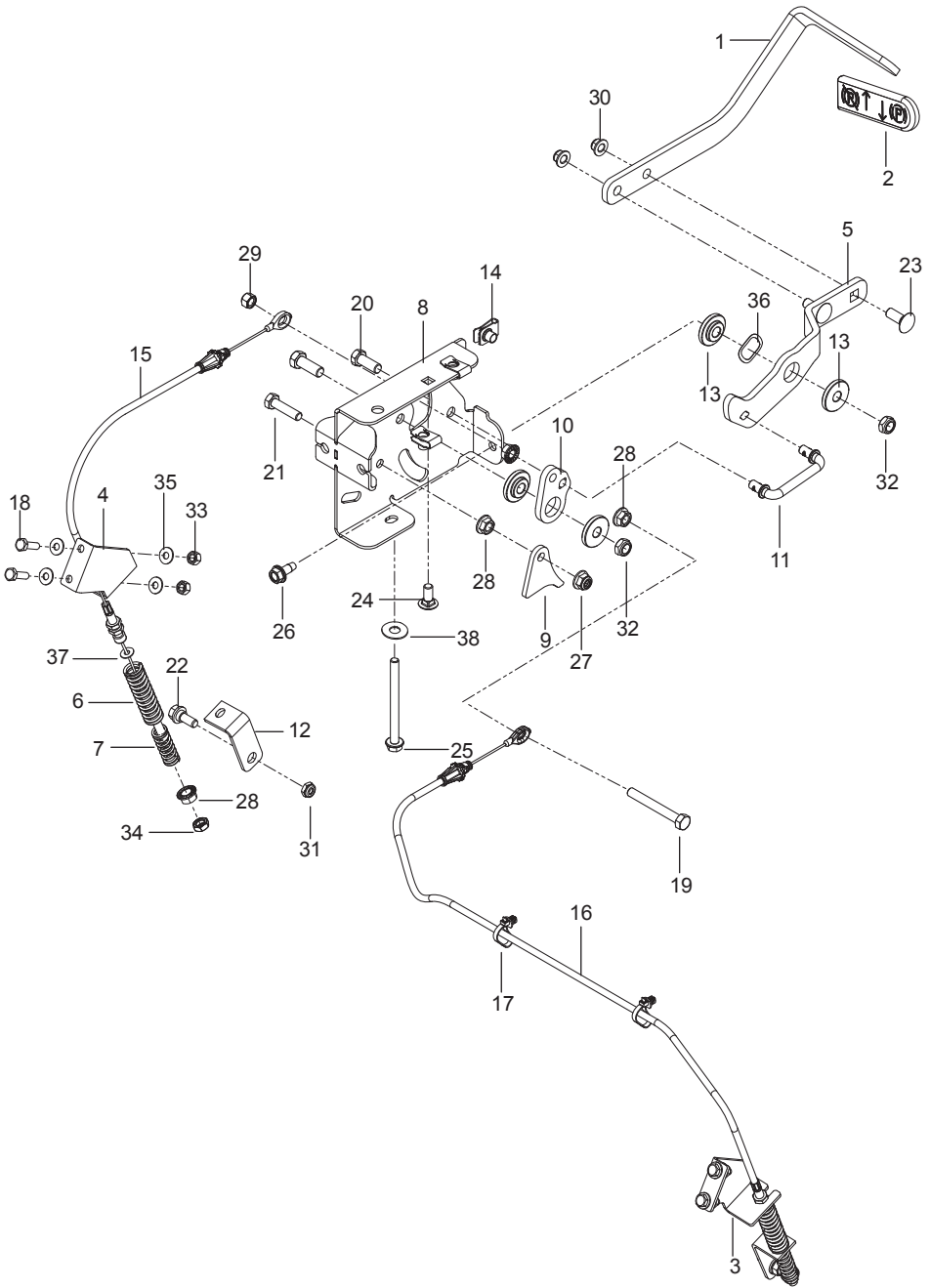
Ref.	Part No.	Qty	Description
1	582 31 38-03	1	Lever w/ Grip Right Blk
2	582 31 38-04	1	Lever w/ Grip Left Blk
3	525 39 29-02	2	Grip, Foam
4	585 12 47-05	2	Bracket, Control
5	532 43 82-82	4	Bearing
6	587 18 77 01	2	Lever, Control
7	577 42 00-01	2	Lever, Handle
8	584 92 72-01	2	Spacer, Pivot Control
9	539 10 27-20	2	Dampener
10	581 43 75-01	2	Block, Tracking
11	539 10 28-45	1	Spring
12	576 85 03-01	1	Spring
13	539 13 17-99	1	Knob
14	574 81 14-01	2	Rod, Motion Control
15	539 11 66-89	2	Coupler, Rod End
16	588 69 25 02	2	Rod End Left
17	579 76 46-01	2	Rod End Right
18	575 25 65-01	2	Assembly, Control Linkage
19	874 78 05-20	5	Bolt 5/16-18 x 1-1/4 Hex Head
20	874 78 08 44	2	Bolt 1/2-13 x 2-3/4 Hex Head
21	539 97 69-35	4	Bolt 5/16-18 x 1-1/2 Hex Head
22	525 54 40-01	4	Bolt 5/16-18 x 1-1/4 Tap
23	874 49 05 12	8	Bolt 5/16-18 x 3/4 Hex Flange Head
24	576 85 04-02	2	Screw 5/16-18 x 1-3/4 Button Head
25	539 99 05-85	4	Nut 5/16-18 Hex Whiz Lock
26	539 10 80-10	2	Nut 1/2-13 Hex Jam Nyloc Grade 2
27	539 99 07-17	6	Nut 5/16-18 Hex Nyloc
28	539 11 28-99	10	Nut 5/16-18 Hex Flange Nyloc
29	819 11 11-16	12	Washer 5/16 SAE Flat

IGNITION SYSTEM



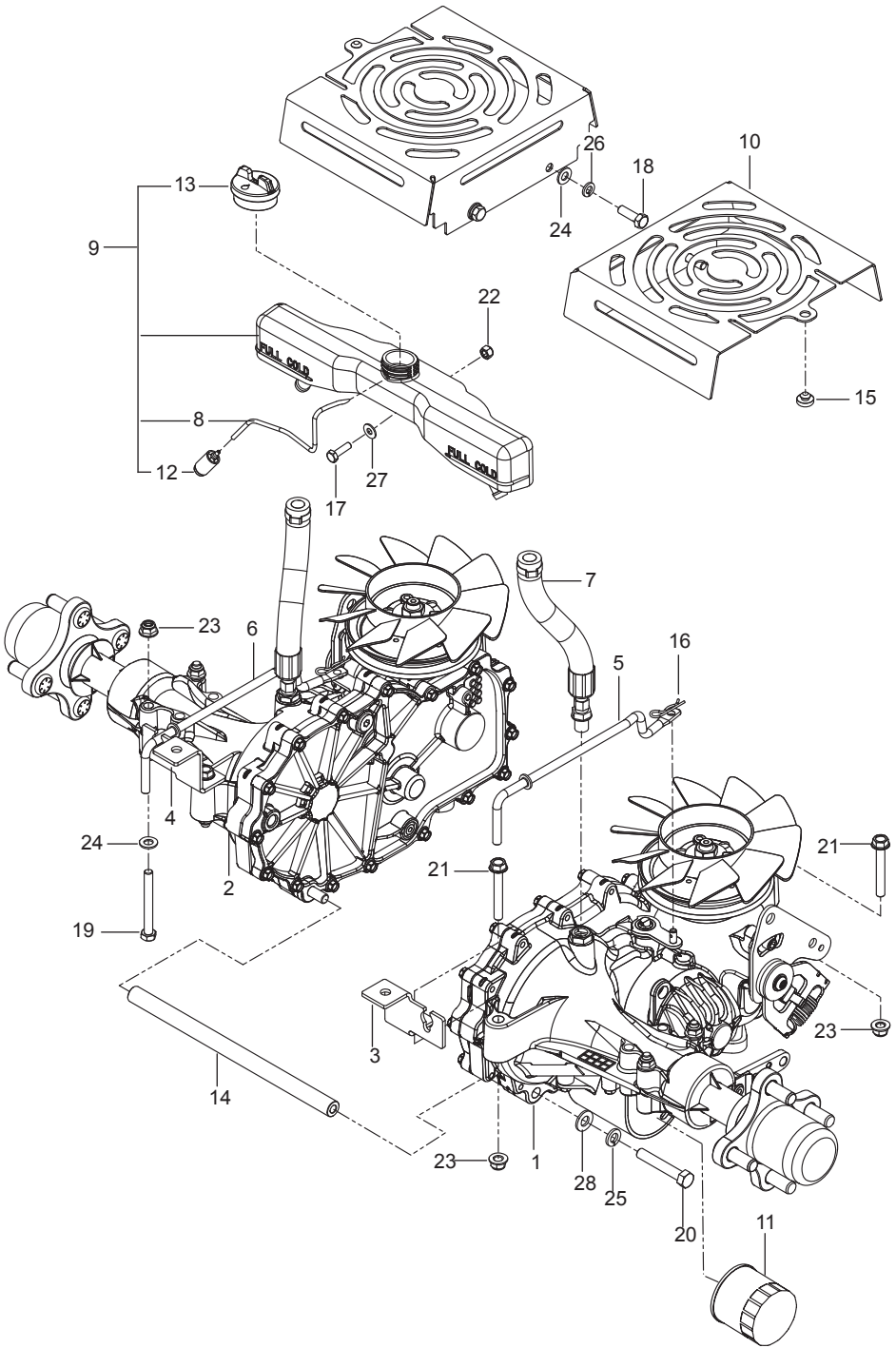
Ref.	Part No.	Qty	Description
1	539 10 75-93	1	Console, Right Gry
2	585 72 23-01	1	Assembly, Tank Left Gry
3	576 46 92-01	1	Fitting, Fuel
4	539 11 24 38	1	Control, Throttle
5	574 20 69-03	1	Control, Choke
6	539 10 52-45	1	Grommet, Rubber
7	576 61 82-01	1	Grommet, Check Valve
8	576 61 81-01	1	Valve, Fuel Check
9	574 45 55-01	1	Key
10	575 01 81-01	1	Fuel Cap w /Tether
11	539 10 24-36	1	Battery
12	588 10 72-01	1	Bracket, Battery Mount
13	588 03 07-01	1	Cable, Battery Pos Red
14	588 03 08-01	1	Cable, Battery Neg Blk
15	532 19 78-02	1	Switch, Brake
16	574 45 54-01	1	Switch, Ignition
17	582 10 76-02	1	Switch, PTO
18	532 10 95-53	2	Switch, Interlock
19	532 43 53-95	1	Cover, Terminal
20	539 10 28-45	6	Spring
21	586 12 39-01	1	Assembly, Fuel Hose
22	539 13 30-49	1	Knob
23	575 43 65-01	2	Clamp, Hose
24	587 04 45-39	1	Hose 3/16 Vapor
25	586 16 18-01	1	Meter, Service
26	574 84 12-03	1	Plate, Console, Blk
27	588 84 32-02	2	Support, Tank Blk
28	539 10 31-78	1	Nutcap, Switch
29	539 10 25-02	6	Stud, Tank
30	581 22 30-01	2	Plate, Nut
31	510 06 40-01	2	Hook, J
32	872 14 05-06	2	Bolt 5/16-18 x 3/4 Round Head Square Neck
33	874 78 05-12	2	Bolt 5/16-18 x 3/4 Hex Head
34	574 82 27-01	4	Screw #10-24 x 3/4 Socket Head
35	539 99 04-11	6	Screw #10-24 x 1/2 Slotted Hex Head
36	817 49 05-16	3	Screw 5/16-18 x 1 Washer Head
37	539 99 09-97	2	Nut 1/4-20 Wing Nut Nyloc
38	539 11 28-99	13	Nut 5/16-18 Hex Flange Nyloc
39	539 97 69-77	2	Nut #10-24 Hex Nylon Ring
40	819 11 11-16	8	Washer 5/16 SAE Flat
41	819 07 08-18	4	Washer 1/2 18 Gauge
42	810 03 05-00	2	Washer, Slotted Lock
	NOT SHOWN		
	589 66 99-01	1	Harness, Wiring w/ brake switch

PARKING BRAKE



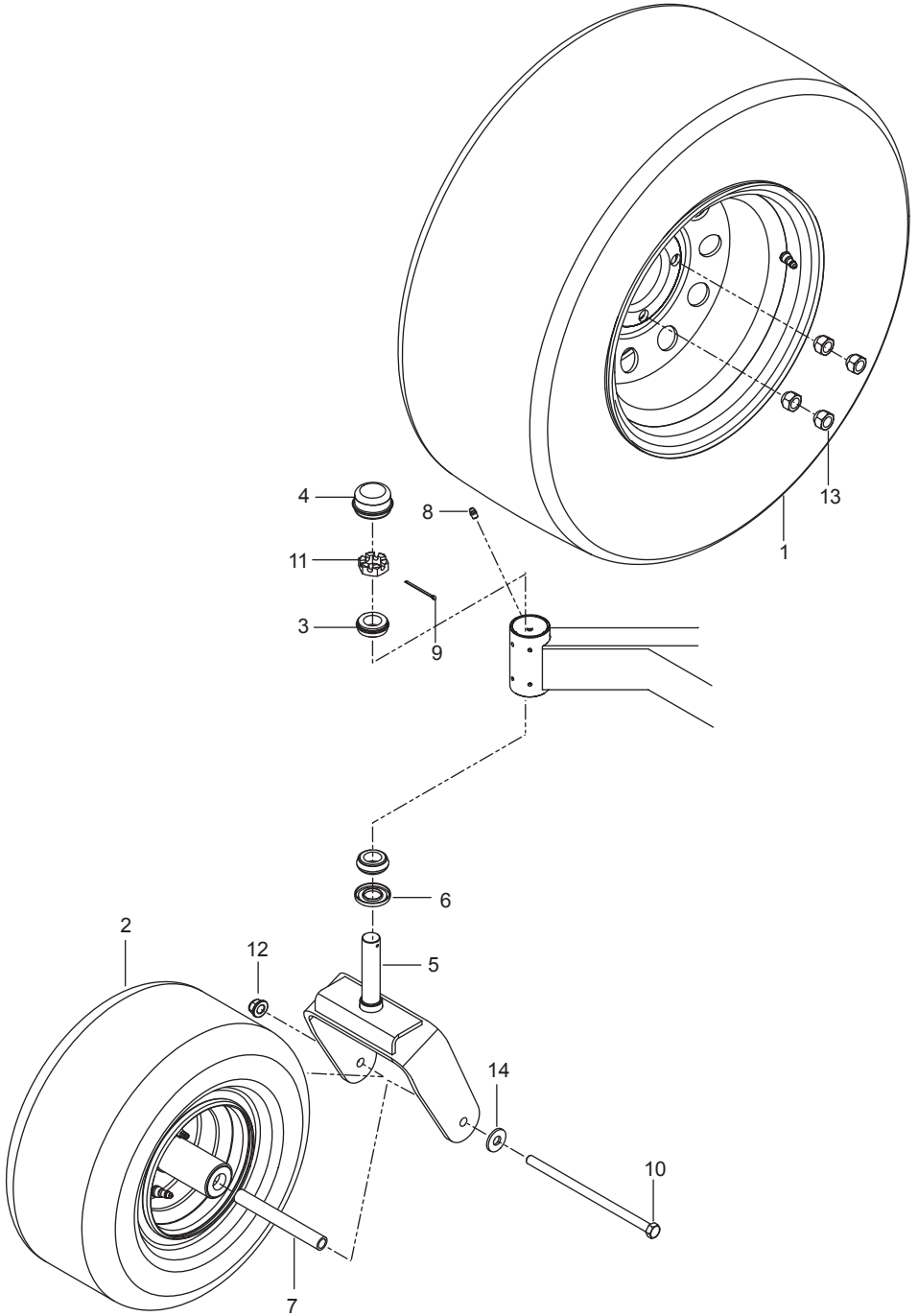
Ref.	Part No.	Qty	Description
1	539 13 21-51	1	Arm, Brake
2	539 10 50-36	1	Grip, Brake Handle
3	575 22 96-02	1	Bracket, Right Blk
4	575 22 97-02	1	Bracket, Left Blk
5	586 73 88-02	1	Lever, Brake
6	575 23 02-01	2	Spring, Return
7	575 23 03-01	2	Spring, Engagement
8	586 83 00-02	1	Mount, Brake
9	539 13 21-54	1	Actuator, Switch
10	539 13 21-53	1	Bellcrank, Brake
11	539 13 24-24	1	Linkage, Brake
12	575 22 98-02	2	Bracket, Brake
13	539 13 21-61	4	Bushing, Brake
14	539 10 47-63	3	Retainer, U Type 5/16-18
15	539 13 21-73	1	Cable, Brake Short
16	539 13 21-74	2	Cable, Brake Long
17	505 28 00-01	2	Tie Wrap w/ Clip
18	539 99 06-43	4	Bolt 1/4-20 x 7/8 Hex Head
19	539 10 83-96	1	Bolt 5/16-18 x 2-1/2 Hex Head Tap
20	539 99 05-63	2	Bolt 3/8-16 x 1 Hex Head
21	874 78 05-16	1	Bolt 5/16-18 x 1 Hex Head
22	539 11 03-03	2	Bolt 5/16 Shoulder
23	539 99 06-45	2	Bolt 3/8-16 x 1 Round Head Square Neck
24	539 99 03-16	1	Bolt 5/16-18 x 3/4
25	539 13 17-80	1	Bolt 5/16-18 x 3-3/4 Hex Flange Head
26	874 49 05-12	1	Bolt 5/16-18 x 3/4 Hex Flange Head
27	539 11 28-99	4	Nut 5/16-18 Hex Flange Nyloc
28	539 99 05-85	5	Nut 5/16-18 Hex Whiz Lock
29	873 80 05-00	1	Nut 5/16-18 Hex Nyloc
30	521 99 65-01	2	Nut 3/8-16 Hex Flange Nyloc
31	539 11 56-17	2	Nut 5/16 Hex Nyloc
32	539 20 02-82	2	Nut 3/8-16 Hex Jam Nyloc
33	539 97 69-78	4	Nut 1/4-20 Hex Nyloc
34	539 10 78-97	2	Nut 5/16-18 Hex Jam
35	539 99 00-55	8	Washer 1/4 SAE Flat
36	539 13 30-07	1	Washer, Wave
37	539 99 01-22	2	Washer 3/8 SAE Flat
38	819 18 22-12	1	Washer 1/2 Flat

HYDRAULIC PUMP-MOTOR



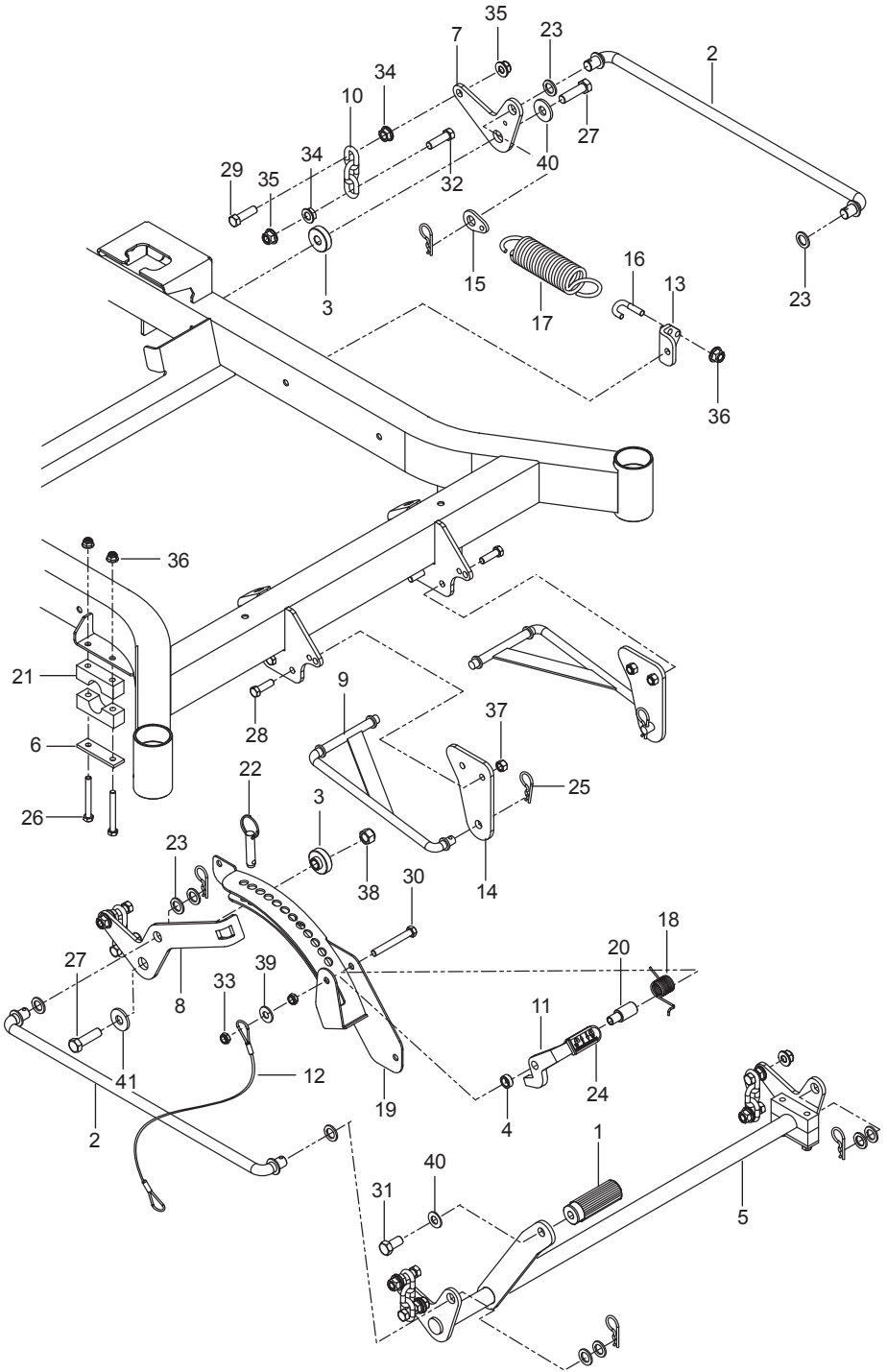
Ref.	Part No.	Qty	Description
1	574 56 91-01	1	Trans, ZT-3400, Left
2	574 56 91-02	1	Trans, ZT-3400, Right
3	575 01 71-02	1	Bracket, Trans, Left
4	575 01 70-02	1	Bracket, Trans, Right
5	539 13 16-16	1	Linkage, Bypass Left
6	539 13 16-18	1	Linkage, Bypass Right
7	574 89 21-01	2	Hose, Expansion
8	586 06 75-01	1	Hose, Fuel
9	585 31 82-01	1	Tank, Expansion
10	584 99 42-02	2	Cover, Fan
11	539 11 34-66	2	Filter, Hydro
12	530 09 56-46	1	Filter
13	586 07 27-01	1	Cap, Tank
14	574 86 85-01	1	Tube, Spacer
15	539 10 25-87	2	Grommet, Bumper
16	539 97 69-88	2	Hairpin Cotter
17	539 99 06-43	1	Bolt 1/4-20 x 7/8 Hex Head
18	874 78 05-16	4	Bolt 5/16-18 x 1 Hex Head
19	539 10 17-21	4	Bolt 5/16-18 x 2-3/4 Hex Head
20	539 10 85-51	2	Bolt 3/8-16 x 2-1/2 Hex Head Grade 8
21	574 23 38-01	4	Bolt 5/16-18 x 2-1/4 Hex Flange Head
22	539 97 69-78	1	Nut 1/4-20 Hex Nyloc
23	539 11 28-99	8	Nut 5/16-18 Hex Flange Nyloc
24	819 11 11-16	8	Washer 5/16 SAE Flat
25	539 99 01-18	2	Washer 3/8 Split Lock
26	539 99 01-87	4	Washer 5/16 Slotted Lock
27	539 99 00-55	1	Washer 1/4 SAE Flat
28	539 99 01-22	2	Washer 3/8 SAE Flat

WHEELS & TIRES



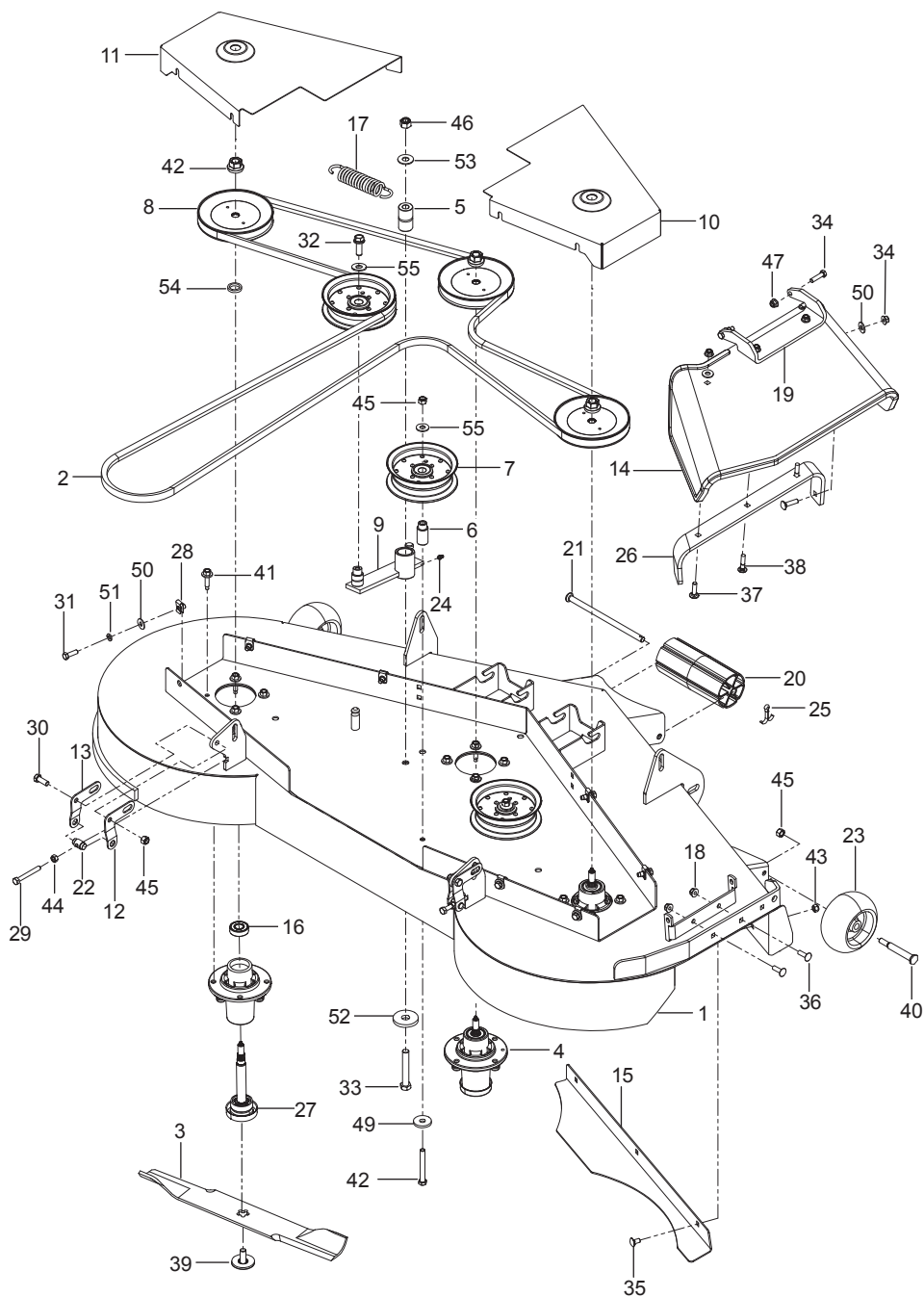
Ref.	Part No.	Qty	Description
1	586 95 54-01	2	Assembly, Wheel 23 x 10.5-12
	582 74 64-01	2	Tire, 23 x 10.5-12
2	581 19 95-01	2	Assembly, Wheel 13 x 6.5
3	539 10 25-43	4	Bearing
4	539 10 25-35	2	Cap, Grease
5	586 92 19-02	2	Yoke, Caster, Org
6	539 10 28-51	2	Seal
7	575 33 49-01	2	Spacer, Pivot
8	539 10 14-74	2	Zerk
9	539 10 28-89	2	Pin 1/8 x 2 Cotter
10	539 10 55-17	2	Bolt 1/2-13 x 9-1/2 Hex Head
11	539 10 28-52	2	Nut 1-14 Slotted Jam
12	521 99 11-01	2	Nut 1/2-13 Hex Flange Nyloc
13	587 65 39-02	8	Nut 1/2-20 Lug
14	539 10 95-54	2	Washer 1/2 Flat

MOWER LIFT / DECK LIFT



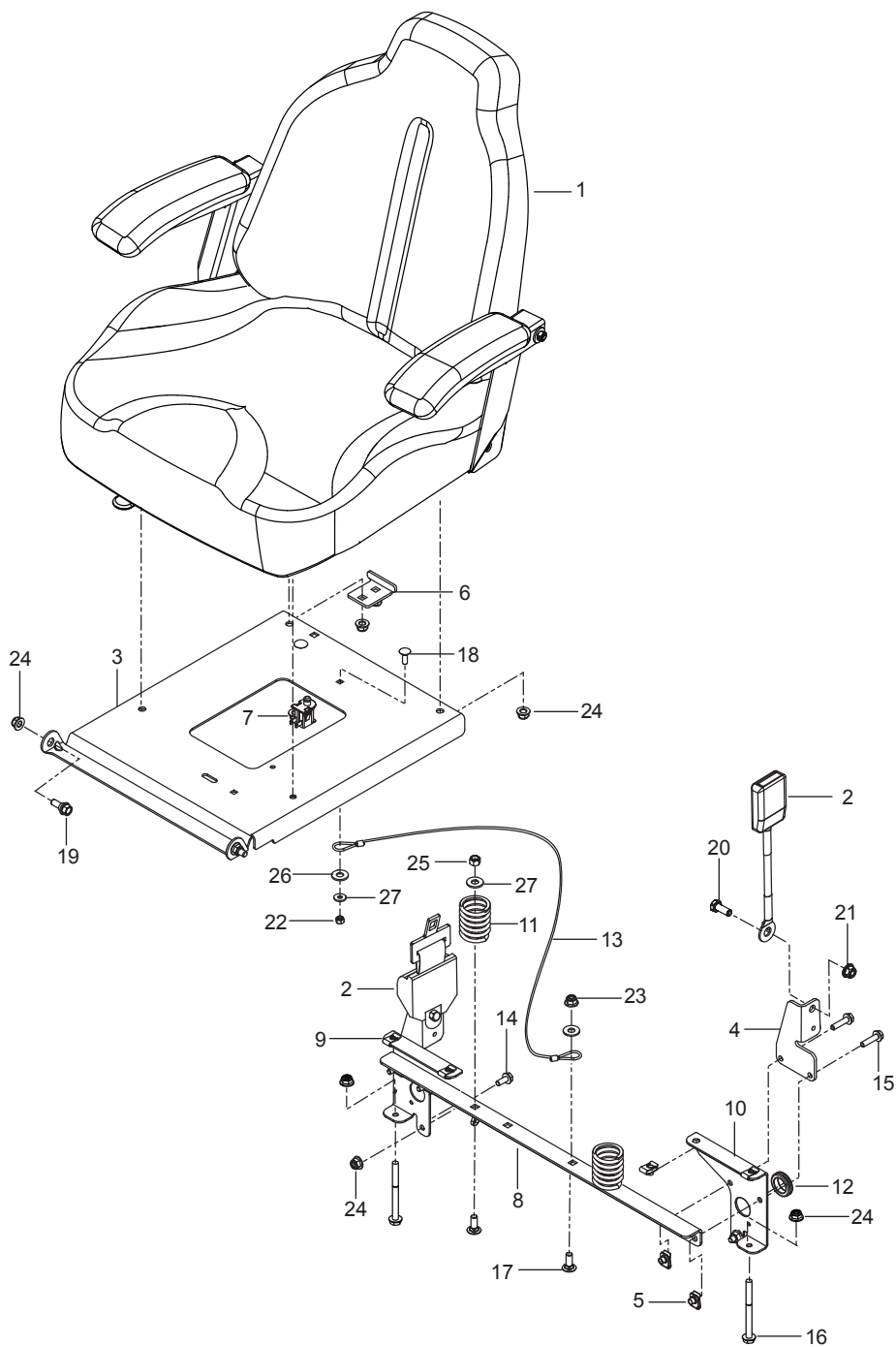
Ref.	Part No.	Qty	Description
1	510 40 83-01	1	Pedal, Foot
2	539 11 08-08	2	Link, Deck Lift
3	586 70 17-01	2	Spacer, Idler
4	539 13 18-61	1	Spacer
5	586 92 87-02	1	Shaft, Front Lift Blk
6	584 39 27-02	2	Plate, Reinforcement
7	539 13 18-97	1	Bellcrank, Rear, Lift Blk
8	539 13 18-53	1	Bellcrank, Rear, Right Blk
9	539 11 22-23	2	Linkage, Strut
10	539 10 96-93	4	Lift Chain-3 Link
11	539 13 15-66	1	Latch, Transport
12	539 10 50-59	1	Lanyard
13	539 13 17-91	1	Mount, Spring
14	539 13 20-17	2	Mount, Strut
15	539 13 17-92	1	Tab, Spring
16	539 11 28-96	1	J-Bolt
17	539 10 26-42	1	Spring
18	539 13 27-34	1	Spring, Torsion
19	539 13 18-50	1	Height Adjust, Deck
20	539 13 18-60	1	Pivot Latch, Transport
21	539 10 48-08	4	Pillow Block
22	539 13 21-82	1	Pin 1/2 x 1-1/2 Detent Ring
23	539 99 10-43	10	Bushing 5/8
24	539 13 28-51	1	Grip
25	539 11 55-01	6	Pin, Cotter 1-3/4
26	539 10 17-21	4	Bolt 5/16-18 x 2-3/4 Hex Head
27	539 10 81-81	2	Bolt 1/2-13 x 1-3/4 Hex Head Grade 8
28	539 99 05-63	4	Bolt 3/8-16 x 1 Hex Head
29	539 10 11-75	4	Bolt 7/16-14 x 1-1/2 Hex Head
30	874 78 06-48	1	Bolt 3/8-16 x 3 Hex Head
31	539 99 06-46	1	Bolt 1/2-13 x 1 Hex Head
32	539 10 80-73	4	Bolt 7/16-14 x 1-3/4 Hex Head
33	539 20 02-82	2	Nut 3/8-16 Hex Jam Nyloc
34	539 13 20-19	8	Nut 7/16-14 Hex Whiz Lock Smooth
35	539 10 25-82	8	Nut 7/16-14 Hex Whiz Lock Heavy
36	539 11 28-99	5	Nut 5/16-18 Hex Flange Nyloc
37	873 80 06-00	4	Nut 3/8-16 Hex Nyloc
38	539 10 13-31	4	Nut 1/2-13 Hex Nyloc
39	819 14 16-14	1	Washer 3/8 Flat
40	539 10 28-43	1	Washer 7/16 Spring
41	539 10 95-54	2	Washer 1/2 Flat

MOWER DECK / CUTTING DECK



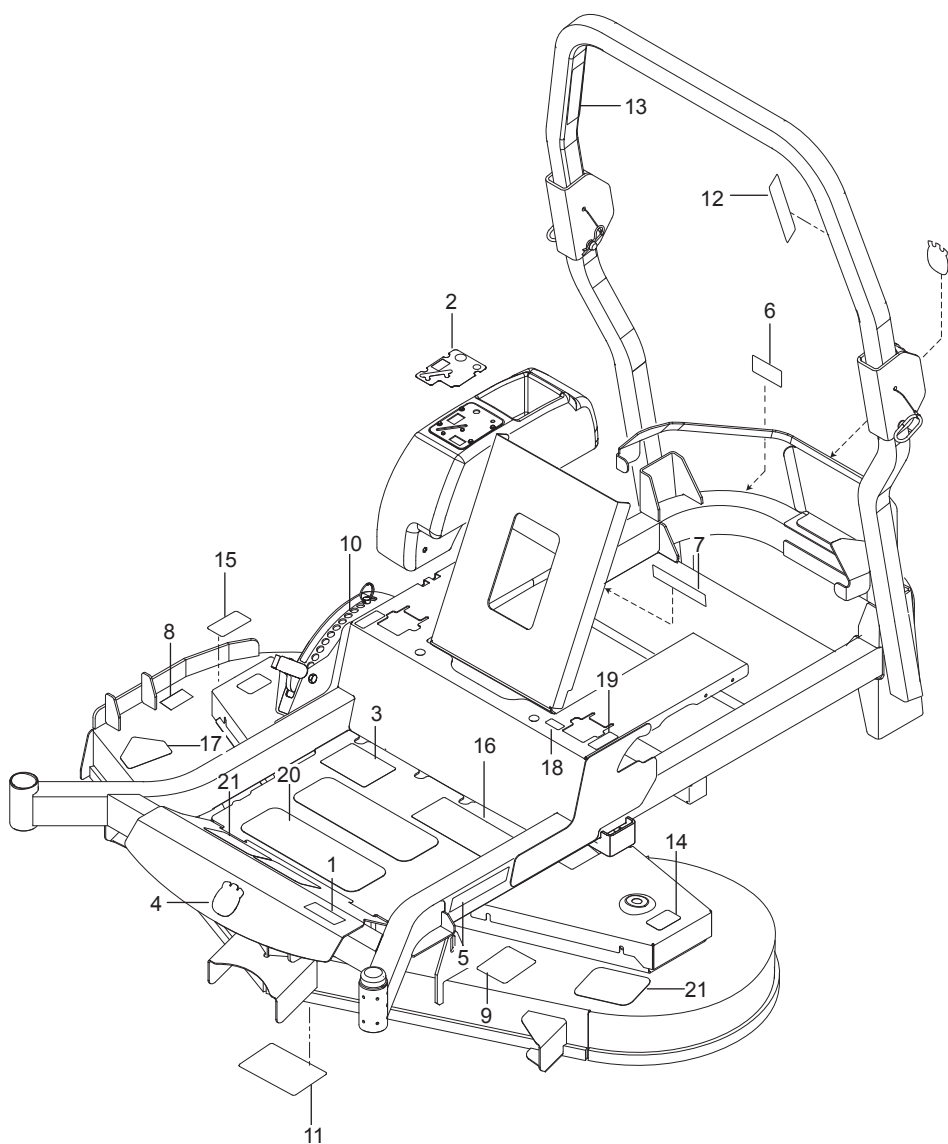
Ref.	Part No.	Qty	Description
1	581 50 54-01	1	Deck w/ Safety Decals
2	539 10 43-35	1	Belt, Deck
3	539 11 33-12	3	Blade, 21"
4	539 13 18-98	3	Assembly, Spindle
5	539 10 34-27	1	Bushing, Pivot
6	539 11 21-69	2	Bushing, Idler
7	539 13 27-28	3	Pulley, Idler
8	539 11 33-00	3	Pulley
9	539 11 21-98	1	Arm, Idler
10	539 11 33-19	1	Belt Shield, Right Org
11	539 11 33-22	1	Belt Shield, Left Org
12	584 85 94-02	2	Pitch Adjust, Right
13	584 85 94-04	2	Pitch Adjust, Left
14	539 13 09-01	1	Chute, Discharge
15	539 11 33-17	1	Plate, Confinement
16	532 11 04-85	3	Bearing, Ball
17	539 10 32-56	1	Spring
18	581 60 61-02	1	Bracket Org
19	539 13 09-17	1	Bracket
20	532 17 60-66	1	Roller, Nose
21	532 17 91-27	1	Rod, Roller, Nose
22	539 13 18-59	2	Trunion, Pitch
23	532 13 39-57	2	Wheel, Gauge
24	539 97 69-98	1	Zerk
25	539 99 03-65	2	Pin 1/8 x 3/4 Cotter
26	539 13 09-20	1	Reinforcement, Bracket
27	532 18 72-91	3	Shaft, Spindle
28	539 10 47-63	8	Retainer, U Type 5/16-18
29	539 10 83-96	2	Bolt 5/16-18 x 2-1/2 Hex Head Tap
30	539 99 05-63	2	Bolt 3/8-16 x 1 Hex Head
31	539 97 69-34	8	Bolt 5/16-18 x 3/4 Hex Head
32	539 99 05-82	1	Bolt 3/8-16 x 1 Whiz Lock Hex Head
33	539 10 34-33	1	Bolt 1/2-13 x 3-1/4 Hex Head
34	874 78 05-20	2	Bolt 5/16-18 x 1-1/4 Hex Head
35	539 99 07-99	3	Bolt 5/16-18 x 5/8 Round Head Square Neck
36	872 11 05-08	2	Bolt 5/16-18 x 1 Round Head Square Neck
37	539 10 04-72	2	Bolt 5/16-18 x 1-1/4 Round Head Square Neck
38	539 10 29-33	2	Bolt 5/16-18 x 1-1/2 Round Head Square Neck
39	532 19 30-03	3	Bolt 7/16 Blade
40	532 13 76-44	2	Bolt 3/8-16 x 3-3/8 Shoulder
41	584 95 39-01	12	Bolt, Washer Head
42	874 78 06-48	2	Bolt 3/8-16 x 3 Hex Head
43	873 80 05-00	3	Nut 5/16-18 Hex Nyloc
44	539 99 01-96	2	Nut 5/16-18 Hex
45	873 80 06-00	6	Nut 3/8-16 Hex Nyloc
46	539 10 13-31	1	Nut 1/2-13 Hex Nyloc
47	539 11 28-99	8	Nut 5/16-18 Hex Flange Nyloc
48	532 40 02-34	3	Nut 9/16 Top Center Lock
49	539 10 65-04	2	Washer, Heavy
50	539 99 06-92	11	Washer 5/16 Flat
51	539 10 96-00	8	Washer 5/16 Spring
52	539 10 22-43	1	Washer, Support
53	539 99 05-50	1	Washer 1/2 Flat
54	532 18 76-90	3	Washer, Spacer
55	539 99 05-17	3	Washer 3/8 Flat

SEAT



Ref.	Part No.	Qty	Description
1	501 58 04-02	1	Assembly, Seat
2	539 13 03-59	1	Assembly, Seat Belt
3	501 76 21-02	1	Mount, Seat
4	584 91 68-02	2	Mount, Seat Belt
5	539 10 47-63	8	Retainer, U Type
6	539 13 07-93	1	Deck Stop
7	589 42 33-01	1	Switch, Seat
8	584 80 91-02	1	Support, Seat Blk
9	584 99 01-02	1	Support, Right Blk
10	584 99 02-02	1	Support, Left Blk
11	587 61 33-01	2	Spring, Seat Blk
12	539 10 59-74	1	Grommet Rubber
13	539 10 32-47	1	Lanyard, Seat
14	874 49 05-12	2	Bolt 5/16-18 x 3/4 Hex Flange Head
15	525 54 40-01	4	Bolt 5/16-18 x 1-1/4 Hex Flange Head Tap
16	874 49 05-60	2	Bolt 5/16-18 x 3-3/4 Hex Flange Head
17	872 14 06-08	3	Bolt 3/8-16 x 1 Round Head Square Neck
18	872 11 04-06	1	Bolt 1/4-20 x 3/4 Round Head Square Neck
19	539 13 08-96	2	Bolt 5/16-18 Shoulder
20	539 12 47-75	2	Bolt 7/16-20 x 1 Hex Head
21	539 99 03-94	2	Nut 7/16-20 Hex Lock
22	873 80 04-00	1	Nut 1/4-20 Hex Nyloc
23	521 99 65-01	1	Nut 3/8-16 Hex Flange Nyloc
24	539 11 28-99	10	Nut 5/16-18 Hex Flange Nyloc
25	873 80 06-00	2	Nut 3/8-16 Hex Nyloc
26	819 09 12-16	1	Washer 1/4 Flat
27	819 14 16-14	4	Washer 3/8 Flat

DECALS



Ref.	Part No.	Qty	Description
1	581 51 37-01	1	Decal, M-ZT 61
2	574 84 11-03	1	Decal, Console
3	586 34 25-01	1	Decal, Start
4	532 42 86-76	2	Decal, Crown H
5	532 42 91-96	2	Decal, Husqvarna
6	539 10 57-44	1	Decal, Danger Belt Drive
7	539 10 57-45	1	Decal, Battery Warning
8	539 10 57-46	1	Decal, Severing
9	539 11 26-20	1	Decal, Belt Routing
10	539 13 20-39	1	Decal, Height Adjust
11	539 13 21-87	1	Decal, Service
12	574 56 90-02	1	Decal, Rops, Warning
13	574 56 90-05	1	Decal, Rops
14	581 72 43-01	2	Decal, No Step
15	581 72 44-01	1	Decal, Deflector
16	583 93 40-01	1	Decal, Warning
17	584 90 46-01	1	Decal, Blade Warning
18	585 14 26 01	2	Decal, Tracking
19	589 28 30-01	2	Decal, Motion Control
20	539 97 77-78	2	Pad, Abrasive Large
21	539 12 13-22	3	Pad, Abrasive Small

www.husqvarna.com

115 71 67-27 Rev D
2016-11-15