



Parts Manual

Zero Turn Mower / Z 242F

967045301-00

Please read the operator manual carefully
and make sure you understand
the instructions before using the machine.



When you need spare parts or support in service questions, warranty issues, etc., please consult the following professional:

| | | |
|---|--------|--------------|
| | | |
| This manual belongs to the machine with the manufacturing number: | Engine | Transmission |

Manufacturing Number

The machine's manufacturing number can be found on the printed plate affixed to the engine compartment.

Stated on the plate, from the top are:

- The machine's type designation (I.D.).
- The manufacturer's type number (Model).
- The machine's serial number (Serial no.)

Please have the type designation and serial number available when ordering spare parts.

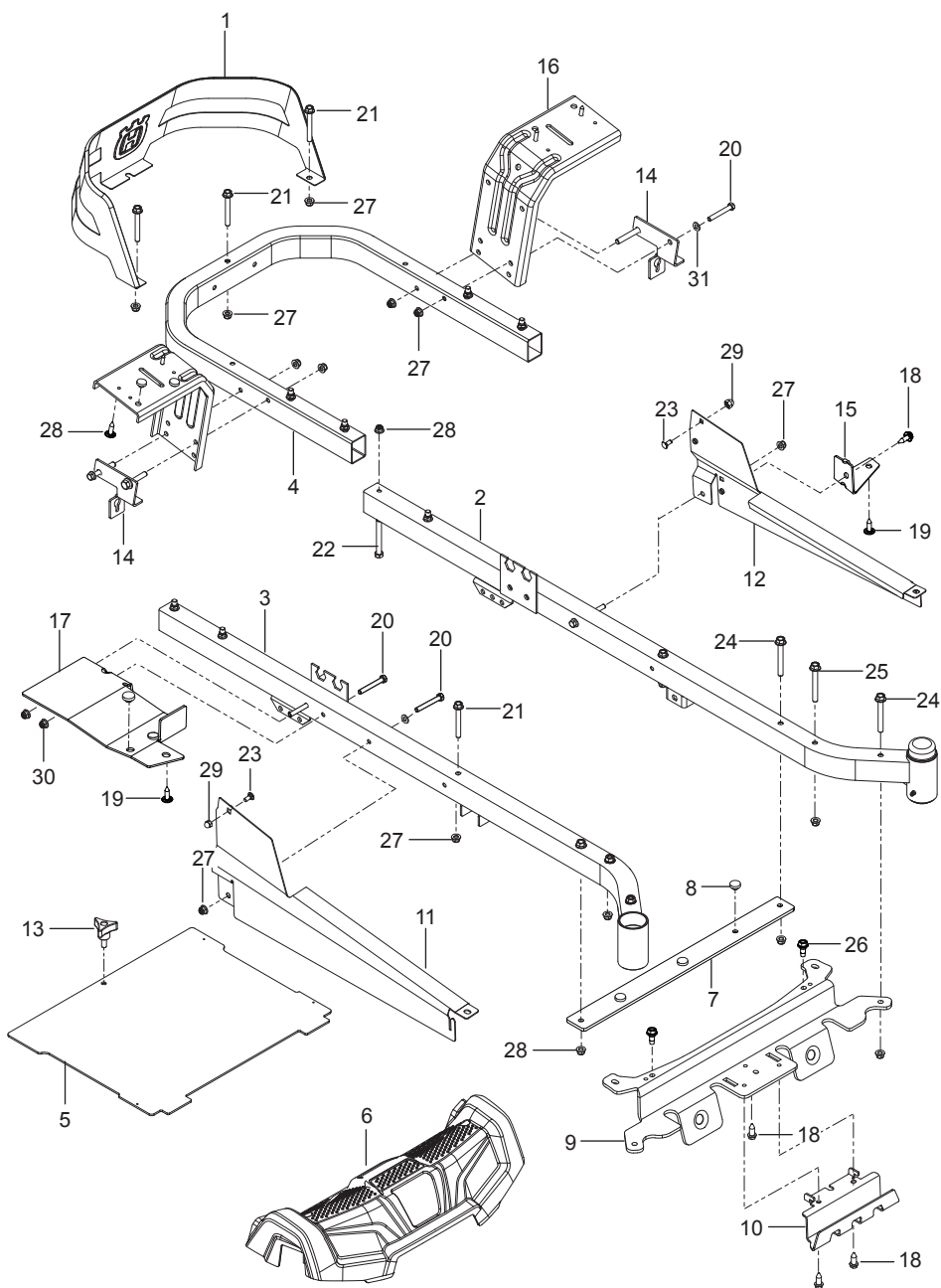
CONTENTS

| | |
|---------------------------------|----|
| FRAME | 4 |
| ENGINE PLATE..... | 6 |
| STEERING | 8 |
| IGNITION SYSTEM..... | 10 |
| BRAKE / LIFT | 12 |
| HYDRAULIC PUMP-MOTOR..... | 14 |
| WHEELS & TIRES | 16 |
| MOWER DECK / CUTTING DECK | 18 |
| SEAT | 20 |
| DECALS | 22 |

Illustrations may or may not represent the actual assemblies and it is not recommended to use this manual as a guide to assemble or disassemble the mower.

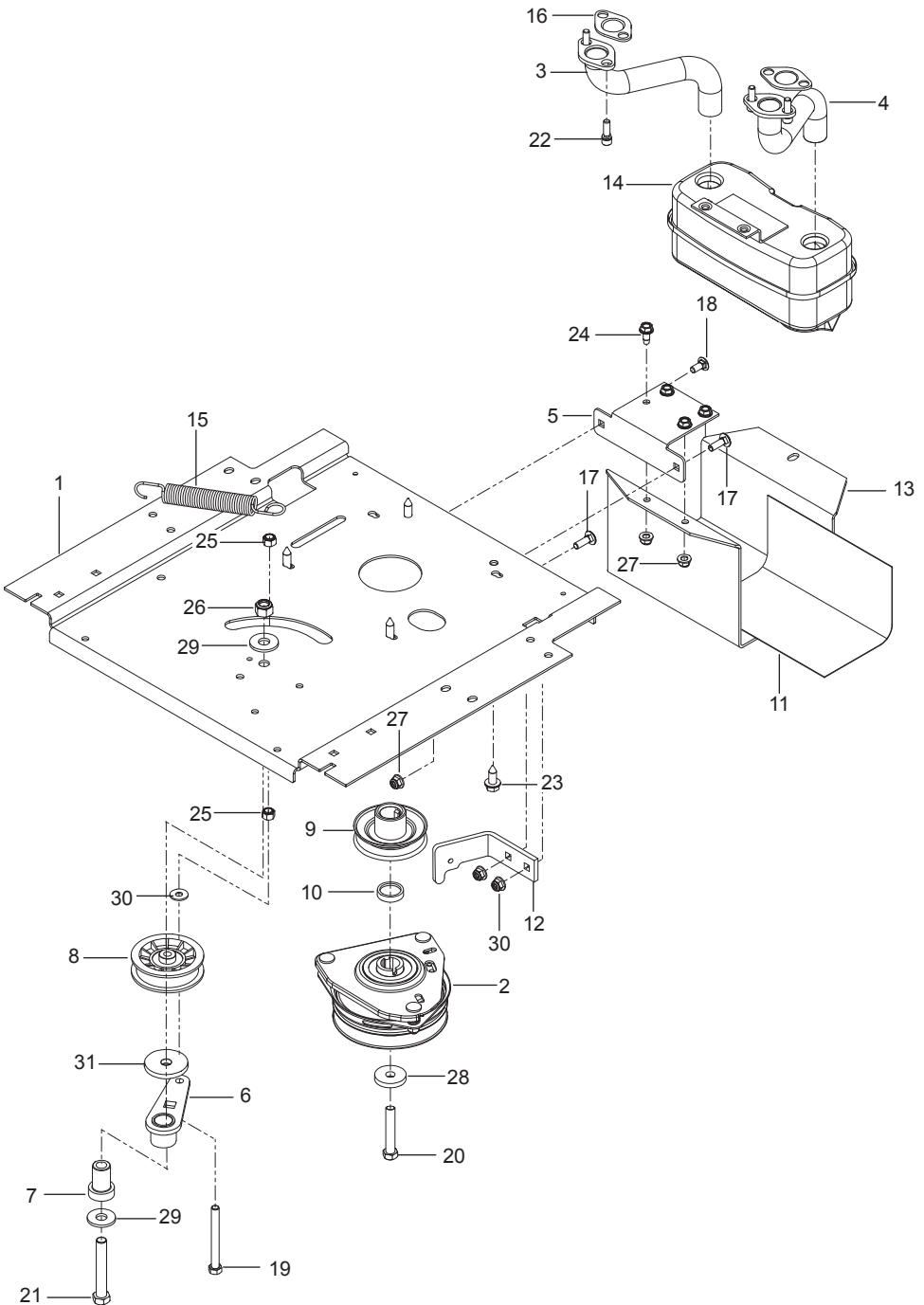
NOTE: All fasteners are Grade 5 unless otherwise specified.

FRAME



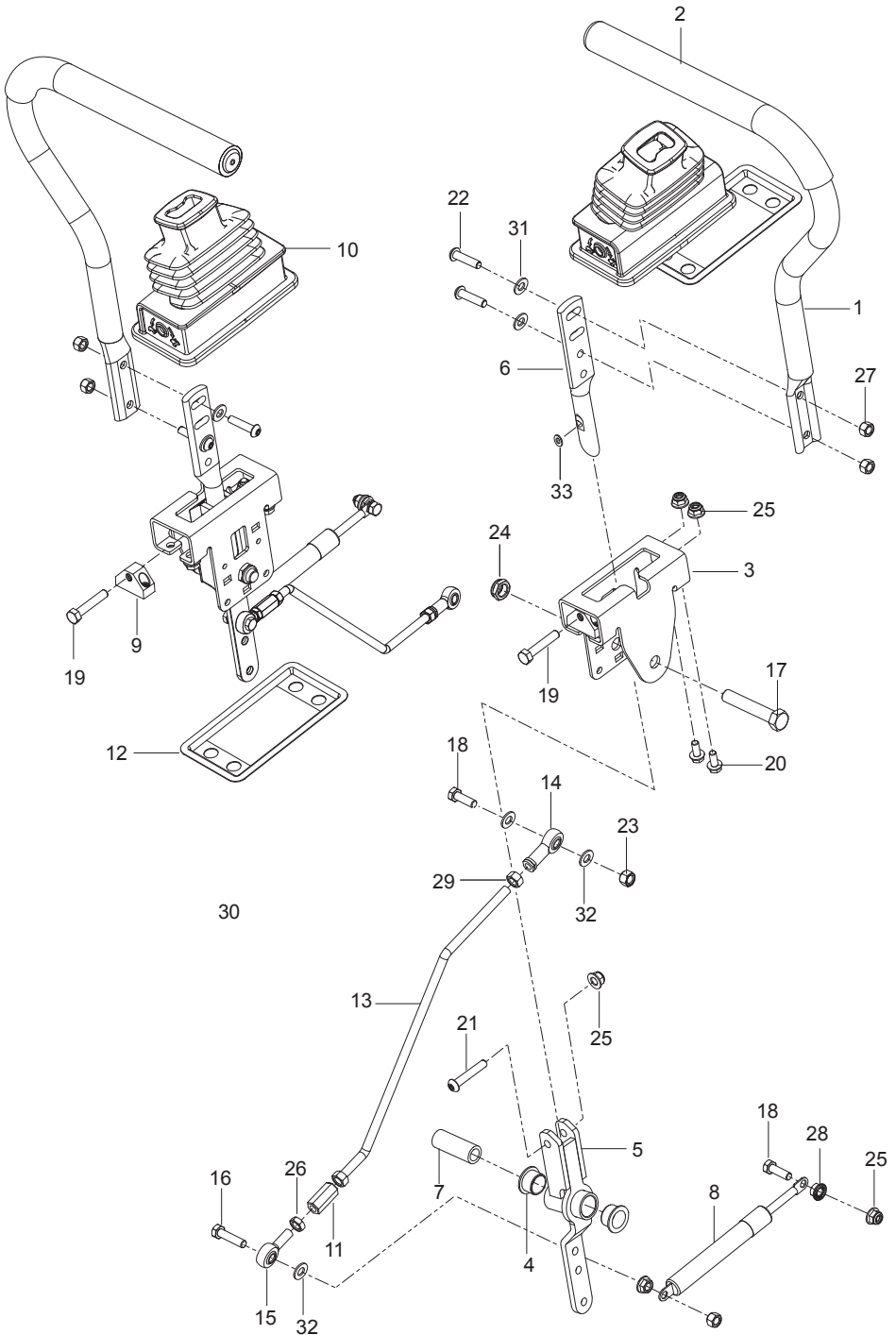
| Ref. | Part No. | Qty | Description |
|------|--------------|-----|---------------------------------|
| 1 | 585 03 98-02 | 1 | Guard, Rear Blk |
| 2 | 510 17 75-03 | 1 | Frame, Front Right Org |
| 3 | 510 17 74-03 | 1 | Frame, Front Left Org |
| 4 | 584 99 10-02 | 1 | Frame, Rear Tube Org |
| 5 | 522 84 29-02 | 1 | Foot Plate w/ Safety Decal |
| 6 | 585 52 24-01 | 1 | Cover, Footrest |
| 7 | 585 52 30-04 | 1 | Support, Footrest |
| 8 | 585 98 93-01 | 7 | Grommet, Bumper |
| 9 | 585 52 31-04 | 1 | Cross Member |
| 10 | 585 52 32-04 | 1 | Plate, Skid Silv |
| 11 | 585 33 16-02 | 1 | Cover, Rail Right |
| 12 | 585 33 15-02 | 1 | Cover, Rail Left |
| 13 | 539 10 44-11 | 1 | Knob w/ Stud |
| 14 | 585 47 43-02 | 2 | Bracket, Bypass Rod |
| 15 | 585 52 36-04 | 1 | Support, Console Left |
| 16 | 580 50 13-02 | 2 | Support, Fender Blk |
| 17 | 585 52 34-04 | 1 | Support, Console Right |
| 18 | 817 00 05-10 | 4 | Screw 5/16-18 x 5/8 Washer Head |
| 19 | 532 41 63-58 | 6 | Screw #10-24 x 3/4 Hex Head |
| 20 | 874 78 05-36 | 2 | Bolt 5/16-18 x 2-1/4 |
| 21 | 874 49 05-44 | 5 | Bolt 5/16-18 x 2-3/4 |
| 22 | 874 78 06-48 | 8 | Bolt 3/8-16 x 3 |
| 23 | 585 94 00-01 | 2 | Bolt 5/16-18 x 1 Carriage |
| 24 | 577 11 77-01 | 4 | Bolt 3/8-16 x 3 |
| 25 | 586 65 43-01 | 2 | Bolt 3/8-16 x 3 Shoulder |
| 26 | 586 88 11-01 | 2 | Bolt 5/16-18 Shoulder |
| 27 | 539 11 28-99 | 9 | Nut 5/16-18 Hex Flange Nyloc |
| 28 | 521 99 65-01 | 14 | Nut 3/8-16 Hex Flange Nyloc |
| 29 | 585 93 81-01 | 2 | Nut 5/16-18 Acorn |
| 30 | 873 90 05-00 | 2 | Nut 5/16-18 Hex Flange Lock |
| 31 | 819 11 11-16 | 6 | Washer 5/16 SAE Flat |

ENGINE PLATE



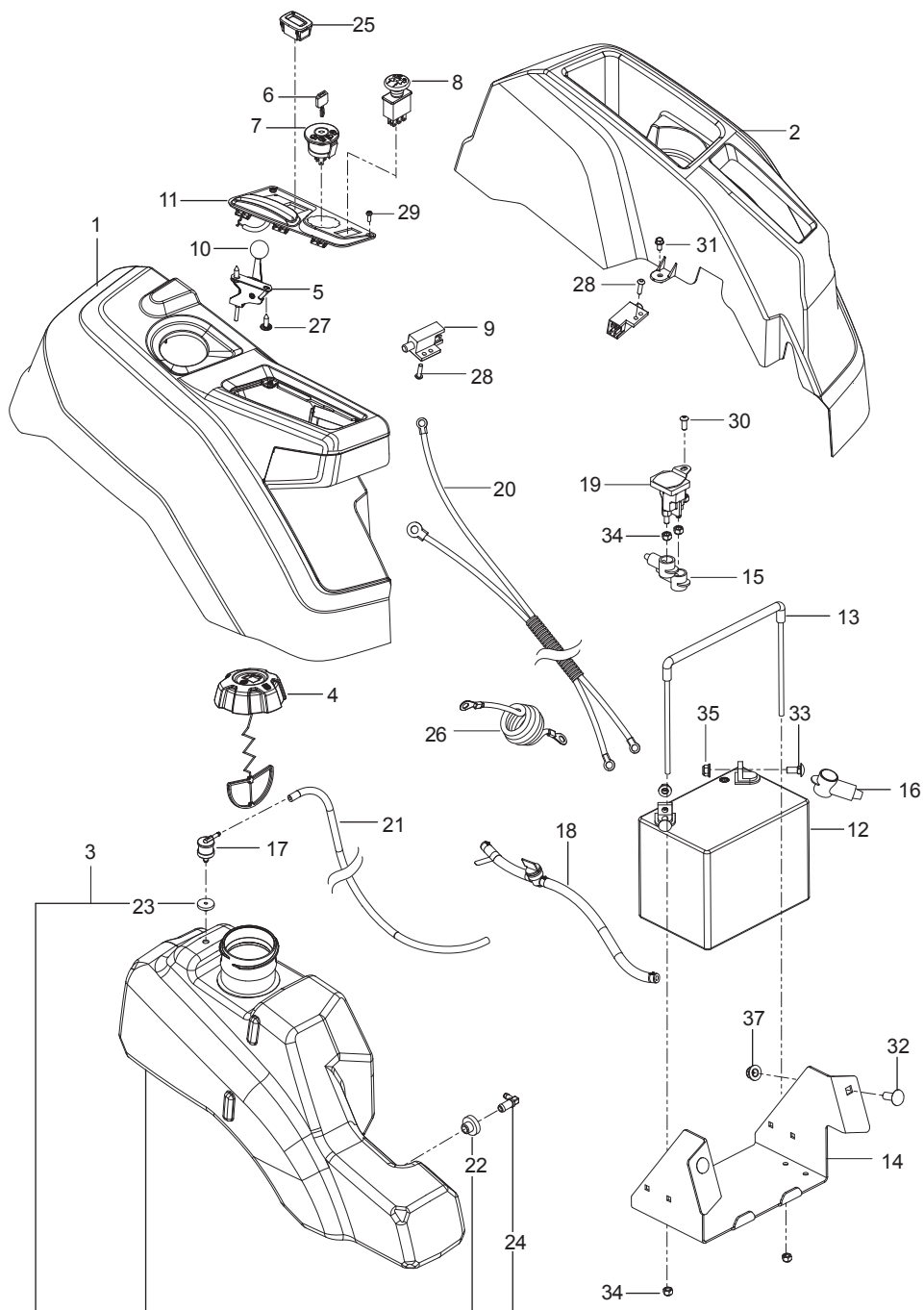
| Ref. | Part No. | Qty | Description |
|------|--------------|-----|---|
| 1 | 587 48 07-02 | 1 | Plate, Engine Blk |
| 2 | 532 40 00-08 | 1 | Clutch |
| 3 | 581 88 11-01 | 1 | Tube, Exhaust Right |
| 4 | 581 88 10-01 | 1 | Tube, Exhaust Left |
| 5 | 581 88 67-02 | 1 | Bracket, Muffler Blk |
| 6 | 532 44 81-45 | 1 | Arm, Idler |
| 7 | 539 10 12-31 | 1 | Spindle, Idler |
| 8 | 539 11 03-11 | 1 | Pulley, Idler |
| 9 | 587 53 74-01 | 1 | Pulley, Engine |
| 10 | 587 66 01-01 | 1 | Spacer |
| 11 | 539 13 28-59 | 1 | Shield, Heat |
| 12 | 587 63 33-02 | 1 | Stop, Clutch Blk |
| 13 | 587 45 12-02 | 1 | Guard, Muffler Blk |
| 14 | 539 13 16-04 | 1 | Muffler Assembly |
| 15 | 532 19 61-05 | 1 | Spring, Deck Drive |
| 16 | 532 16 53-91 | 2 | Gasket, Muffler |
| 17 | 872 14 05-08 | 2 | Bolt 5/16-18 x 3/4 Round Head Square Neck |
| 18 | 872 14 05-06 | 2 | Bolt 5/16-18 x 1 Round Head Square Neck |
| 19 | 874 52 06-56 | 1 | Bolt 3/8-16 x 3-1/2 Hex Head |
| 20 | 581 33 28-03 | 1 | Bolt 7/16-20 x 2-1/2 Hex Head |
| 21 | 874 78 08-52 | 1 | Bolt 1/2-13 x 3-1/4 Hex Head |
| 22 | 532 18 39-06 | 4 | Screw, Socket Head |
| 23 | 817 12 06-16 | 4 | Screw 3/8-16 x 1 Thread Form |
| 24 | 817 49 05-12 | 4 | Screw 5/16-18 x 3/4 Thread Form |
| 25 | 539 97 69-79 | 2 | Nut 3/8-16 Hex Nyloc |
| 26 | 873 80 08-00 | 1 | Nut 1/2-13 Hex Nyloc |
| 27 | 539 11 28-99 | 5 | Nut 5/16-18 Hex Flange Nyloc |
| 28 | 532 12 61-97 | 1 | Washer, Clutch |
| 29 | 819 18 22-12 | 2 | Washer 1/2 Flat |
| 30 | 819 12 14-14 | 2 | Washer 5/16 Std Flat |
| 31 | 539 11 26-70 | 1 | Washer, Heavy |
| | NOT SHOWN | | |
| | ----- | 1 | Engine, Briggs & Stratton 44S777-0016-G1 23 Hp For Engine Replacement Parts, See a B&S Dealer |

STEERING



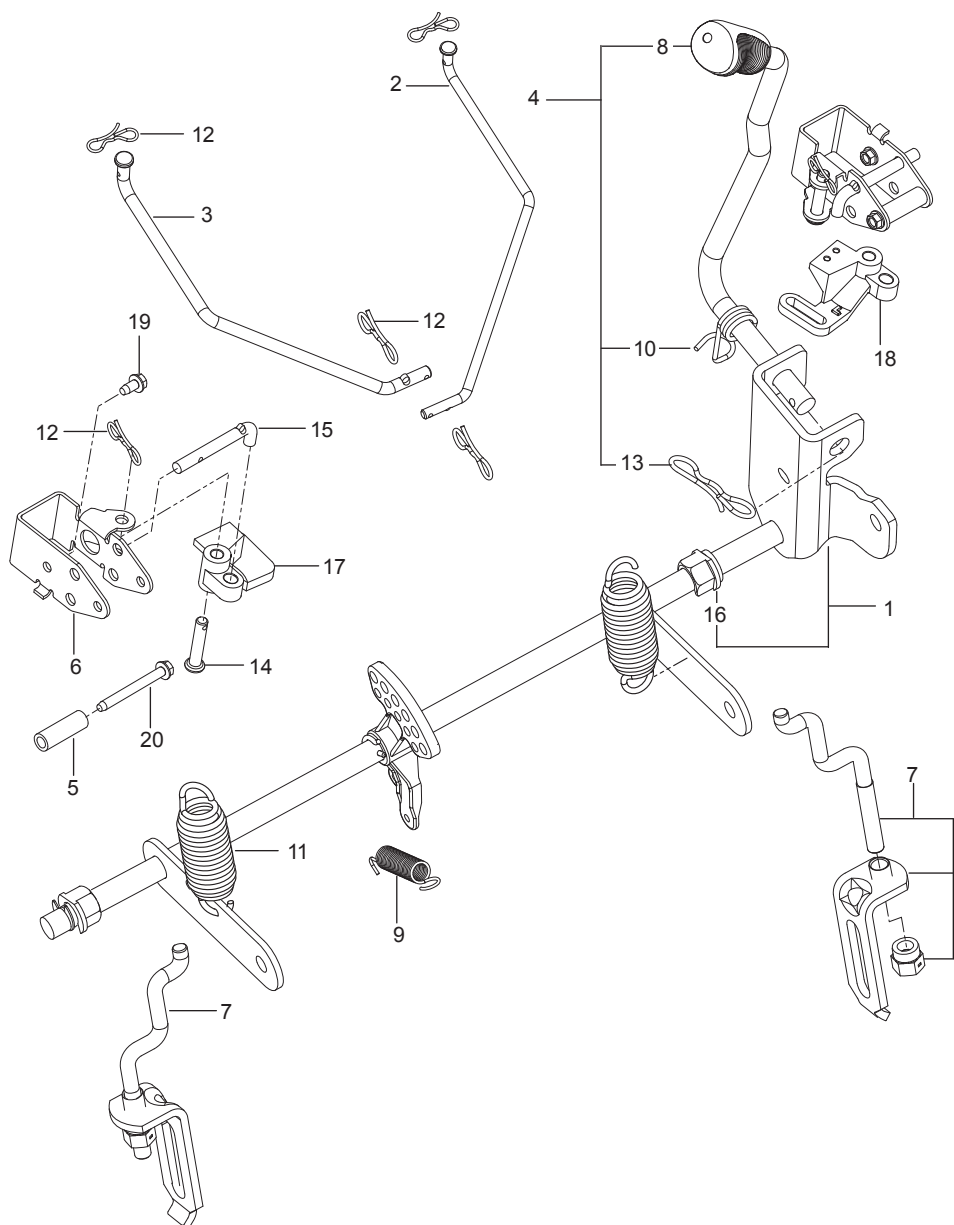
| Ref. | Part No. | Qty | Description |
|------|--------------|-----|---------------------------------------|
| 1 | 581 82 67-01 | 2 | Lever w/ Grip |
| 2 | 525 39 29-01 | 2 | Grip, Foam |
| 3 | 585 12 47-05 | 2 | Bracket, Control |
| 4 | 539 13 15-18 | 4 | Bearing, Flanged |
| 5 | 576 14 03-01 | 2 | Control, Lever |
| 6 | 587 60 17-02 | 2 | Lever, Handle |
| 7 | 584 92 72-01 | 2 | Spacer, Pivot Control |
| 8 | 539 10 27-20 | 2 | Dampener |
| 9 | 581 43 75-01 | 2 | Block, Tracking |
| 10 | 585 83 16-01 | 2 | Boot, Steering |
| 11 | 539 11 66-89 | 2 | Coupler, Rod End |
| 12 | 585 48 82-02 | 2 | Flange, Boot |
| 13 | 580 62 42-01 | 2 | Rod, Motion Control |
| 14 | 539 11 57-29 | 2 | Rod End Rh |
| 15 | 539 11 66-90 | 2 | Rod End Male Left Hand |
| 16 | 874 78 05-28 | 2 | Bolt 5/16-18 x 1-3/4 Tap Bolt |
| 17 | 874 78 08-44 | 2 | Bolt 1/2-13 x 2-3/4 |
| 18 | 874 78 05-16 | 4 | Bolt 5/16-18 x 1 Thread Form |
| 19 | 585 98 61-01 | 2 | Bolt 5/16-18 x 1-1/4 |
| 20 | 874 49 05-12 | 8 | Bolt Hex Flange 5/16-18 x 3/4 |
| 21 | 576 85 04-02 | 2 | Screw 5/16-18 x 13/4 Button Head |
| 22 | 585 98 59-01 | 4 | Screw 5/16-18 x 1-1/4 Button Head Blk |
| 23 | 873 80 05-00 | 2 | Nut 5/16-18 Hex Nyloc |
| 24 | 539 10 80-10 | 2 | Nut 1/2-13 Hex Jam Nyloc Grade 2 |
| 25 | 539 11 28-99 | 12 | Nut 5/16-18 Hex Flange Nyloc |
| 26 | 873 70 05-00 | 2 | Nut 5/16-24 Hex Jam Left Hand |
| 27 | 585 98 60-01 | 4 | Nut 5/16-18 Hex Nyloc Blk |
| 28 | 539 99 05-85 | 4 | Nut 5/16-18 Hex Whiz Lock |
| 29 | 539 99 02-23 | 4 | Nut 5/16-24 Hex |
| 30 | 539 11 56-17 | 2 | Nut 5/16-18 Thin Nyloc |
| 31 | 586 30 91-01 | 4 | Washer 5/16 SAE Flat Blk |
| 32 | 819 11 11-16 | 6 | Washer 5/16 SAE Flat |
| 33 | 587 61 42-01 | 2 | Washer 11/32 |

IGNITION SYSTEM



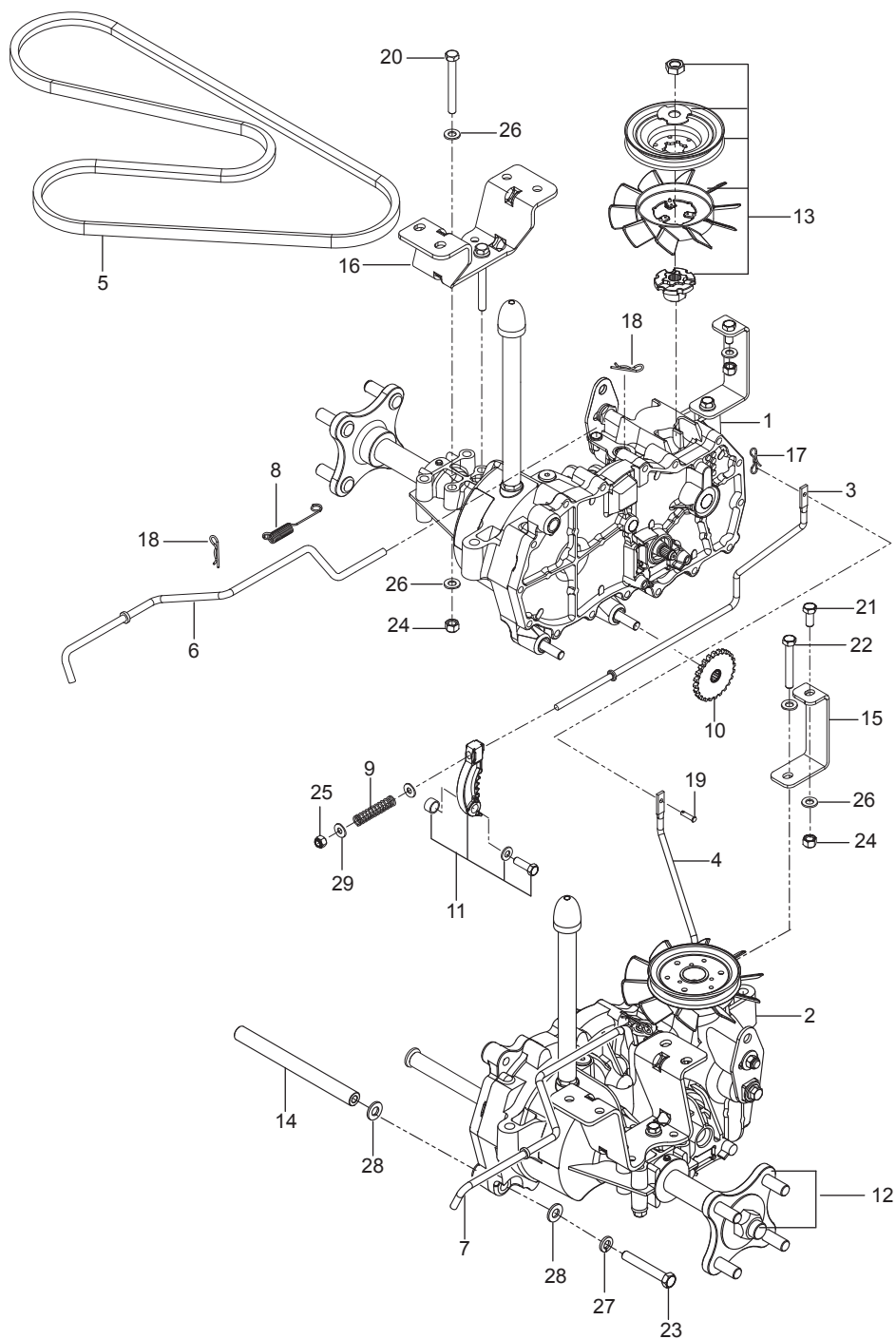
| Ref. | Part No. | Qty | Description |
|------|--------------|-----|---|
| 1 | 585 52 28-01 | 1 | Assembly, Fender, Right Gry |
| 2 | 586 62 12 01 | 1 | Assembly, Fender, Left Gry |
| 3 | 578 18 06-02 | 1 | Assembly, Fuel Tank |
| 4 | 585 12 48-01 | 1 | Cap, Fuel w/ Tether |
| 5 | 539 11 24-38 | 1 | Cable, Throttle |
| 6 | 532 14 04-01 | 1 | Key, Ignition |
| 7 | 539 10 75-41 | 1 | Switch, Ignition |
| 8 | 532 17 46-52 | 1 | Switch, Brake |
| 9 | 587 60 15-01 | 2 | Switch, Interlock |
| 10 | 539 13 30-49 | 1 | Knob |
| 11 | 585 52 27-03 | 1 | Panel, Control |
| 12 | 539 10 24-36 | 1 | Battery |
| 13 | 539 13 12-09 | 1 | Tie Down, Battery |
| 14 | 585 04 87-02 | 1 | Box, Battery Blk |
| 15 | 532 13 15-63 | 3 | Terminal Cover |
| 16 | 539 10 27-59 | 1 | Insulator |
| 17 | 576 61 81-01 | 1 | Valve, Fuel Check |
| 18 | 586 12 39-04 | 1 | Assembly, Fuel Line w/ Valve |
| 19 | 532 19 25-07 | 1 | Solenoid |
| 20 | 587 19 86-01 | 1 | Harness, Battery Cable |
| 21 | 587 04 45-23 | 1 | Hose 3/16 x 23" Vapor |
| 22 | 532 00 36-45 | 1 | Grommet, Rubber |
| 23 | 532 43 74-92 | 1 | Grommet, Check Valve |
| 24 | 532 13 92-77 | 1 | Elbow |
| 25 | 586 16 18-01 | 1 | Meter, Service |
| 26 | 539 10 33-06 | 1 | Cable, Battery Positive |
| 27 | 532 14 18-41 | 2 | Screw 10-16 x .65 |
| 28 | 574 82 27-01 | 2 | Screw #10-24 x 3/4 Socket Head |
| 29 | 545 22 71-01 | 2 | Screw 6-19 x 7/16 Pan Head |
| 30 | 539 11 12-29 | 1 | Screw 1/4-20 x 5/8 Button Socket Head |
| 31 | 817 49 04-08 | 2 | Bolt 1/4-20 x 1/2 |
| 32 | 539 99 06-45 | 2 | Bolt 3/8-16 x 1 Round Head Square Neck |
| 33 | 872 14 05-06 | 2 | Bolt 5/16-18 x 3/4 Round Head Square Neck |
| 34 | 873 80 04-00 | 5 | Nut 1/4-20 Hex Nyloc |
| 35 | 539 11 28-99 | 2 | Nut 5/16-18 Flange Nyloc |
| 36 | 521 99 65-01 | 2 | Nut 3/8-16 Hex Flange Nyloc |
| | NOT SHOWN | | |
| | 586 33 73-01 | 1 | Harness, Wiring |
| | 532 10 97-48 | 1 | Relay, 40A |

BRAKE / LIFT



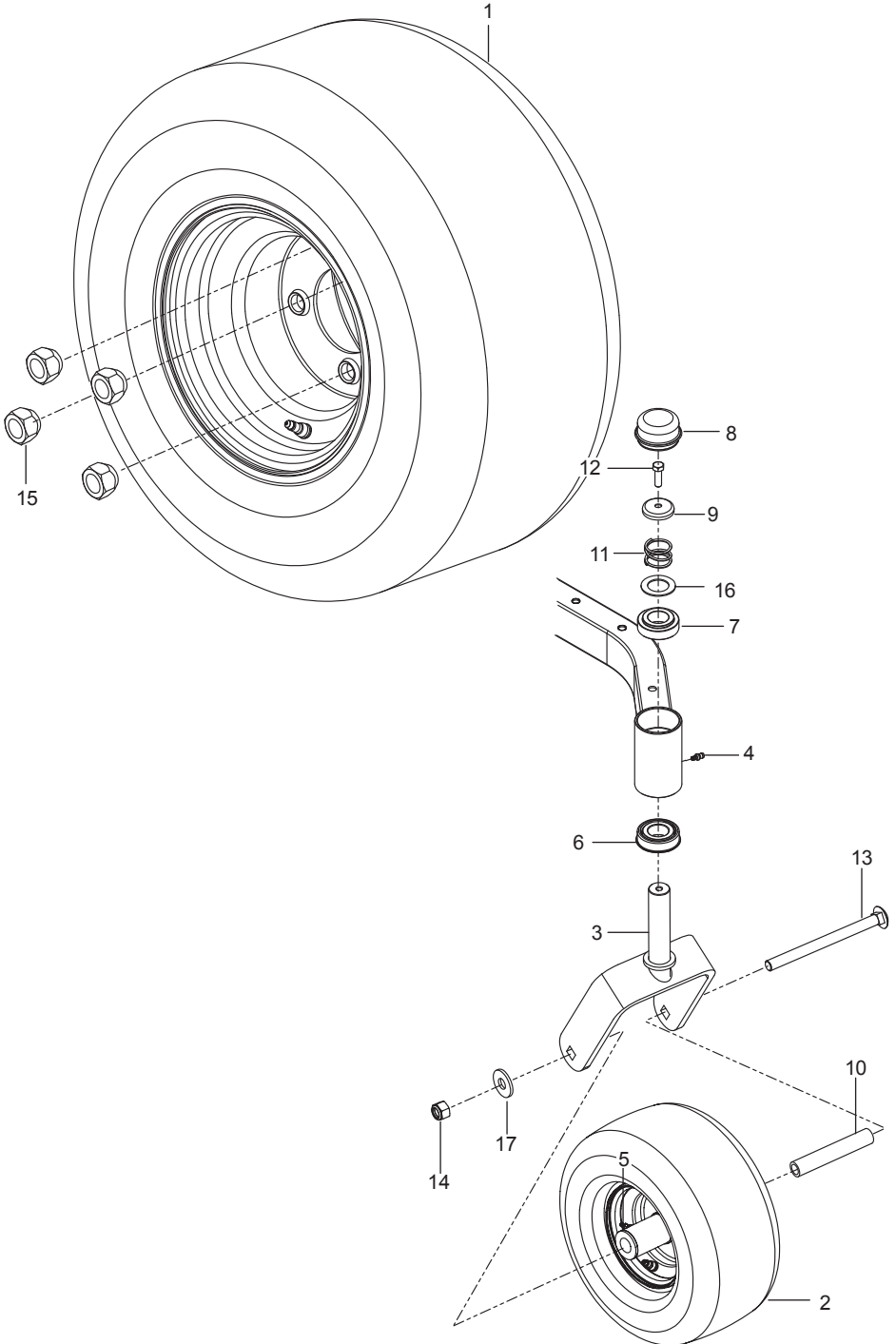
| Ref. | Part No. | Qty | Description |
|------|--------------|-----|----------------------------------|
| 1 | 587 62 31-01 | 1 | Assembly, Shaft w/ Nuts, E-Rings |
| 2 | 586 45 71-01 | 1 | Link, Brake Left |
| 3 | 586 45 72-01 | 1 | Link, Brake Right |
| 4 | 587 62 29-01 | 1 | Assembly, Lift Handle |
| 5 | 580 48 61-01 | 2 | Spacer |
| 6 | 585 68 21-02 | 2 | Bracket, Bellcrank |
| 7 | 587 62 30-01 | 2 | Assembly, Centering Link |
| 8 | 532 41 15-55 | 1 | Grip, Handle |
| 9 | 586 86 76-01 | 1 | Spring |
| 10 | 532 19 63-14 | 1 | Spring |
| 11 | 539 11 87-62 | 2 | Spring |
| 12 | 587 22 53-01 | 6 | Clip |
| 13 | 532 19 42-09 | 1 | Clip |
| 14 | 585 70 14-01 | 2 | Pin 1/2 Clevis |
| 15 | 585 68 20-01 | 2 | Push Rod |
| 16 | 510 18 49-01 | 2 | Nut, Plastic |
| 17 | 586 45 75-01 | 1 | Bellcrank Right |
| 18 | 586 45 74-01 | 1 | Bellcrank Left |
| 19 | 532 13 77-29 | 2 | Screw 1/4-20 x 5/8 Thread Roll |
| 20 | 586 56 13-01 | 2 | Screw 1/4-20 x 2-1/4 Thread Roll |

HYDRAULIC PUMP-MOTOR



| Ref. | Part No. | Qty | Description |
|------|--------------|-----|-----------------------------|
| 1 | 510 37 56-01 | 1 | EZT, Left |
| 2 | 510 37 56-02 | 1 | EZT, Right |
| 3 | 574 03 05-01 | 1 | Rod, EZT Brake Left |
| 4 | 574 03 05-02 | 1 | Rod, EZT Brake Right |
| 5 | 539 11 04-11 | 1 | Belt, EZT |
| 6 | 585 47 44-01 | 1 | Rod, Bypass Left |
| 7 | 585 47 45-01 | 1 | Rod, Bypass Right |
| 8 | 586 66 51-01 | 2 | Spring, Bypass |
| 9 | 539 11 03-42 | 2 | Spring, Brake Rod |
| 10 | 539 12 00-80 | 2 | Cog, Brake Disc |
| 11 | 539 12 00-79 | 2 | Assembly Kit, Brake Arm |
| 12 | 575 50 70-01 | 1 | Assembly Kit, Hub w/ Nuts |
| 13 | 501 40 36-02 | 2 | Assembly Kit, Blade, Pulley |
| 14 | 510 18 41-04 | 2 | Spacer Tube |
| 15 | 580 80 65-02 | 2 | Support, EZT Front |
| 16 | 580 80 66-02 | 2 | Mount, EZT Rear Blk |
| 17 | 587 22 53-01 | 1 | Clip |
| 18 | 539 97 69-88 | 4 | Clip |
| 19 | 587 11 53-01 | 1 | Pin, Clevis |
| 20 | 874 78 05-44 | 4 | Bolt 5/16-18 x 2-3/4 |
| 21 | 874 78 05-12 | 2 | Bolt 5/16-18 x 3/4 |
| 22 | 874 78 05-36 | 2 | Bolt 5/16-18 x 2-1/4 |
| 23 | 874 78 06-40 | 4 | Bolt 3/8-16 x 2-1/2 |
| 24 | 873 80 05-00 | 8 | Nut 5/16-18 Hex Nyloc |
| 25 | 873 80 04-00 | 2 | Nut 1/4-20 Hex Nyloc |
| 26 | 819 11 11-16 | 16 | Washer 5/16 SAE Flat |
| 27 | 810 03 06-00 | 4 | Washer 3/8 Splt Lock |
| 28 | 819 13 13-16 | 8 | Washer 3/8 SAE Flat |
| 29 | 819 09 10-16 | 4 | Washer 1/4 SAE Flat |

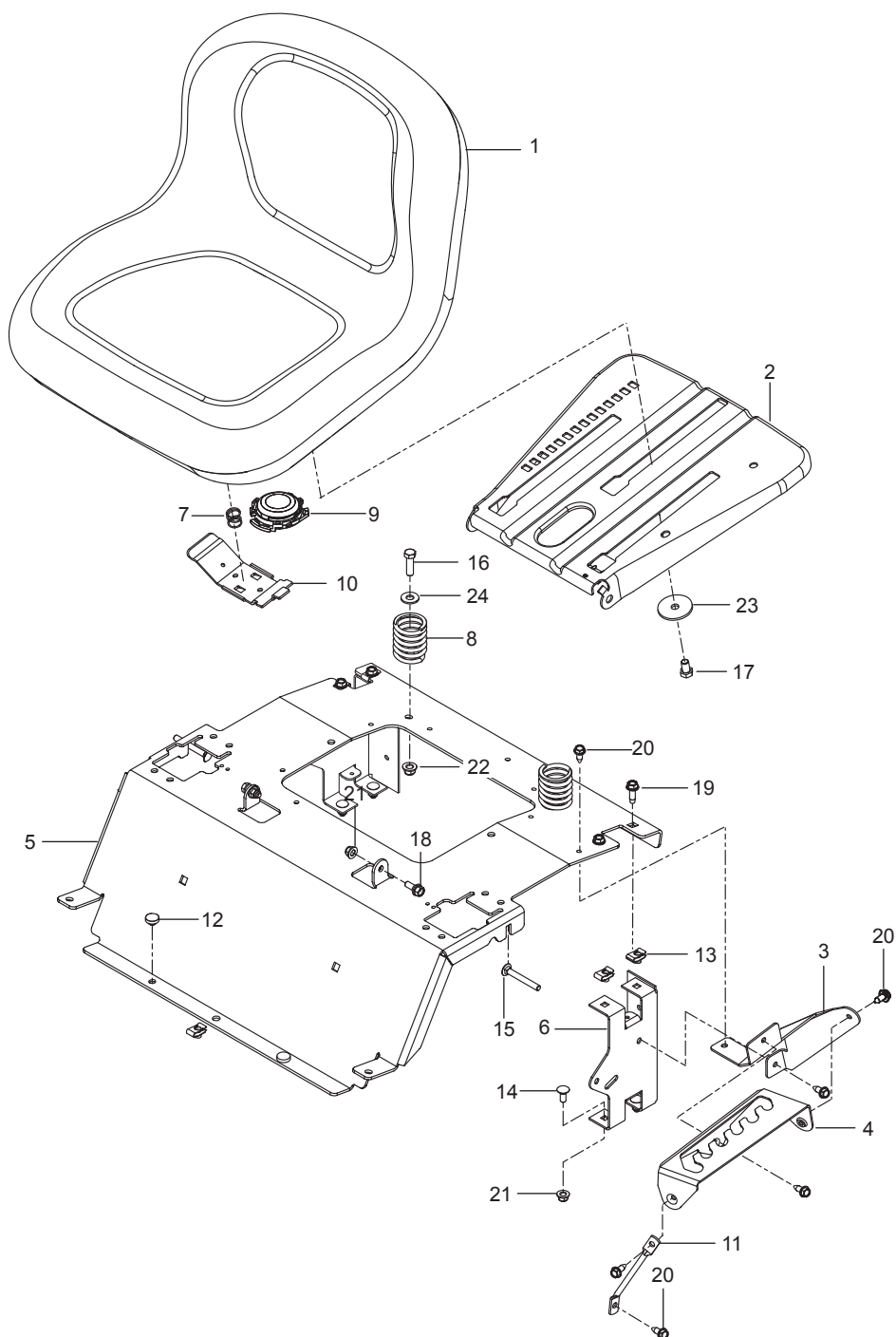
WHEELS & TIRES



| Ref. | Part No. | Qty | Description |
|------|--------------|-----|--|
| 1 | 581 19 73-01 | 2 | Assy, Wheel Rear 18 x 8.5 |
| 2 | 576 58 86-02 | 2 | Wheel Assy Caster 11 x 6.5 |
| 3 | 576 58 88-01 | 2 | Yoke Org |
| 4 | 539 11 56-38 | 2 | Zerk 3/16 Drive |
| 5 | 539 10 33-00 | 2 | Zerk |
| 6 | 539 11 26-60 | 2 | Bearing, Flanged |
| 7 | 539 11 79-01 | 2 | Bushing, Caster |
| 8 | 539 10 25-35 | 2 | Grease Cap |
| 9 | 539 11 57-49 | 2 | Plug, Caster |
| 10 | 576 58 89-01 | 2 | Spacer, Pivot |
| 11 | 539 11 57-47 | 2 | Spring, Caster |
| 12 | 874 95 05-16 | 2 | Bolt, Hex 5/16-18 x 1 Nyloc |
| 13 | 576 60 15-01 | 2 | Bolt 1/2-13 x 7 Round Head Square Neck |
| 14 | 873 93 08-00 | 2 | Nut 1/2-13 Hex Center Lock |
| 15 | 539 10 11-73 | 8 | Nut 1/2 Lug |
| 16 | 539 11 56-75 | 2 | Washer |
| 17 | 819 18 22-12 | 2 | Washer 9/16 |

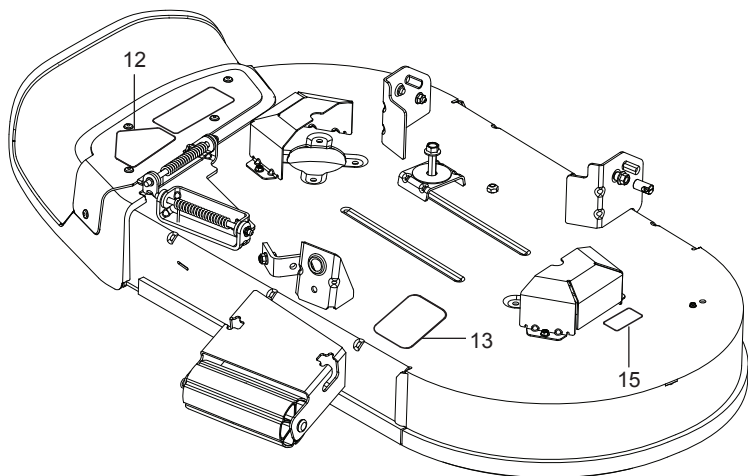
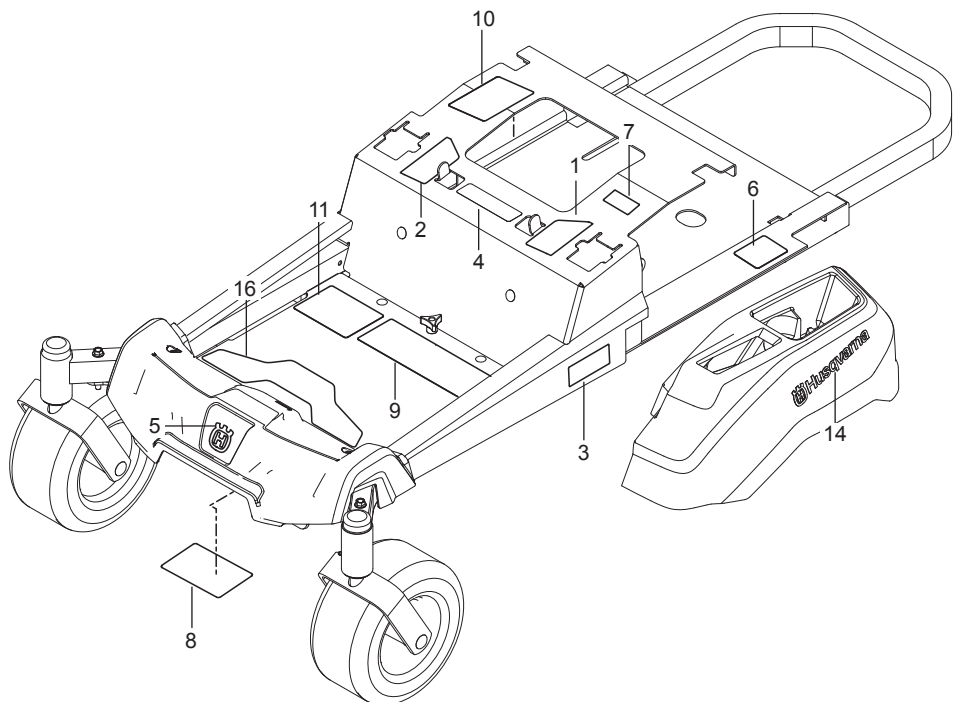
| Ref. | Part No. | Qty | Description |
|------|--------------|-----|--|
| 1 | 586 97 94-02 | 1 | Deck |
| 2 | 586 91 81-01 | 2 | Blade, Bagging |
| 3 | 587 27 00-01 | 1 | Belt |
| 4 | 532 19 61-06 | 1 | Pulley, Idler |
| 5 | 532 19 61-04 | 1 | Pulley, Idler |
| 6 | 532 19 97-91 | 2 | Pulley, Mandrel |
| 7 | 586 87 40-02 | 1 | Arm, Clutch Blk |
| 8 | 587 14 05-02 | 2 | Arm, Suspension Blk |
| 9 | 586 93 68-02 | 2 | Cover, Belt Org |
| 10 | 587 30 57-01 | 1 | Assy, Deflector Org |
| 11 | 532 19 84-68 | 1 | Keeper, Belt |
| 12 | 588 61 09-02 | 1 | Link, Front |
| 13 | 532 41 55-98 | 1 | Port, Washout |
| 14 | 532 13 14-91 | 2 | Rod, Hinge |
| 15 | 532 17 91-27 | 1 | Rod, Nose Roller |
| 16 | 586 91 80-02 | 1 | Bracket, Hinge Org |
| 17 | 532 17 60-66 | 1 | Roller, Nose |
| 18 | 532 19 52-63 | 3 | Bushing, Pivot |
| 19 | 532 19 51-61 | 2 | Stud w/ Anti-Rotate |
| 20 | 539 11 21-70 | 2 | Mandrel |
| 21 | 532 11 04-85 | 1 | Bearing, Ball |
| 22 | 532 18 72-91 | 1 | Shaft, Mandrel |
| 23 | 587 35 47-01 | 2 | Spring, Deflector |
| 24 | 532 19 72-51 | 1 | Spring, Drive |
| 25 | 579 81 10-01 | 1 | Bumper |
| 26 | 532 11 04-52 | 2 | Push Nut |
| 27 | 539 11 55-74 | 1 | Eyebolt 5/16 x 3-1/2 |
| 28 | 872 14 06-20 | 1 | Bolt 3/8-16 x 2-1/2 Round Head Square Neck |
| 29 | 872 11 05-05 | 5 | Bolt 5/16-18-5/8 Round Head Square Neck |
| 30 | 532 19 30-03 | 2 | Bolt/Washer 7/16-20 |
| 31 | 532 19 65-39 | 2 | Bolt, Shoulder |
| 32 | 532 17 39-84 | 8 | Screw 5/16-18 x 1 Thread Roll |
| 33 | 532 13 77-29 | 4 | Screw 1/4-20 x 5/8 Thread Roll |
| 34 | 587 33 33-01 | 1 | Screw 7/16-14 x 2 Hex Washer Head |
| 35 | 539 11 28-99 | 1 | Nut 5/16-18 Hex Flange Nyloc |
| 36 | 539 11 91-24 | 2 | Nut 7/16-14 Hex Nyloc |
| 37 | 532 40 02-34 | 2 | Nut 9/16 Top Center Lock |
| 38 | 539 99 05-85 | 1 | Nut 5/16-18 Hex Whiz Lock |
| 39 | 873 36 07-00 | 1 | Nut 7/16-20 Hex Jam |
| 40 | 532 17 59-94 | 1 | Nut 7/16-20 Lift Link |
| 41 | 873 90 06-00 | 1 | Nut 3/8-16 Flange Lock |
| 42 | 873 90 05-00 | 7 | Nut 5/16-18 Hex Flange Lock |
| 43 | 585 93 81-01 | 2 | Nut 5/16-18 Acorn |
| 44 | 873 68 06-00 | 1 | Nut 3/8-16 Crown Lock |
| 45 | 532 18 76-90 | 2 | Washer, Spacer |
| 46 | 532 17 85-15 | 1 | Washer, Flat Hardened |

SEAT



| Ref. | Part No. | Qty | Description |
|------|--------------|-----|---|
| 1 | 532 43 98-22 | 1 | Seat |
| 2 | 532 19 69-77 | 1 | Pan, Seat |
| 3 | 586 22 08-02 | 1 | Plate, Lift Support |
| 4 | 586 22 12-02 | 1 | Plate, Deck Lift |
| 5 | 577 26 05-03 | 1 | Support, Seat Org |
| 6 | 580 30 82-02 | 2 | Support, Seat Rear Blk |
| 7 | 532 19 82-00 | 1 | Spring, Latch |
| 8 | 532 12 41-81 | 2 | Spring, Seat |
| 9 | 532 40 15-45 | 1 | Switch, Seat |
| 10 | 532 19 76-61 | 1 | Handle, Slide |
| 11 | 586 42 86-01 | 1 | Leg, Support |
| 12 | 585 98 93-01 | 2 | Grommet, Bumper |
| 13 | 539 10 47-63 | 5 | Retainer, U Type |
| 14 | 872 14 05-06 | 4 | Bolt 5/16-18 x 3/4 Round Head Square Neck |
| 15 | 510 42 27-01 | 2 | Bolt 5/16-18 x 2-1/2 Round Head Square Neck |
| 16 | 874 78 06-20 | 2 | Bolt 3/8-16 x 1-1/4 |
| 17 | 874 78 06-10 | 1 | Bolt 3/8-16 x 5/8 |
| 18 | 539 11 03-03 | 2 | Bolt 5/16-18 Shoulder |
| 19 | 817 49 05-12 | 4 | Screw 5/16-18 x 3/4 Thread Form |
| 20 | 817 00 05-10 | 6 | Screw 5/16-18 x 5/8 Washer Head |
| 21 | 539 11 28-99 | 4 | Nut 5/16-18 Hex Flange Nyloc |
| 22 | 521 99 65-01 | 2 | Nut 3/8-16 Hex Flange Nyloc |
| 23 | 539 11 18-97 | 1 | Washer 3/8 Special |
| 24 | 819 14 16-14 | 2 | Washer 3/8 Std Flat |

DECALS



| Ref. | Part No. | Qty | Description |
|------|--------------|-----|-------------------------|
| 1 | 587 59 56-01 | 1 | Decal, Steer / Brake Lt |
| 2 | 587 59 55-01 | 1 | Decal, Steer / Brake Rt |
| 3 | 587 76 92-01 | 2 | Decal, Z 242F |
| 4 | 539 10 57-45 | 1 | Decal, Battery Warning |
| 5 | 532 42 86-77 | 1 | Decal, Crown |
| 6 | 539 10 83-85 | 1 | Decal, Do Not Tow |
| 7 | 539 10 83-86 | 1 | Decal, Exit Mower |
| 8 | 539 10 98-97 | 1 | Decal, Service |
| 9 | 583 93 40-01 | 1 | Decal, Global Warnings |
| 10 | 539 11 05-22 | 1 | Decal, Responsibility |
| 11 | 588 03 50-01 | 1 | Decal, Start |
| 12 | 586 97 88-01 | 1 | Decal, Deflector |
| 13 | 581 58 00-01 | 1 | Decal, Belt Routing |
| 14 | 577 46 90-01 | 2 | Decal, Husqvarna |
| 15 | 581 72 43-01 | 1 | Decal, No Step |
| 16 | 587 00 07-01 | 1 | Pad, Abrasive |

www.husqvarna.com

114 03 20-27 Rev B
2016-05-01