



Parts Manual

Zero Turn Mower / Z 242F

967 271901-00

Please read the operator manual carefully and make sure you understand the instructions before using the machine.



When you need spare parts or support in service questions, warranty issues, etc., please consult the following professional:

This manual belongs to the machine with the manufacturing number:	Engine	Transmission

Manufacturing Number

The machine's manufacturing number can be found on the printed plate affixed to the engine compartment.

Stated on the plate, from the top are:

- The machine's type designation (I.D.).
- The manufacturer's type number (Model).
- The machine's serial number (Serial no.)

Please have the type designation and serial number available when ordering spare parts.

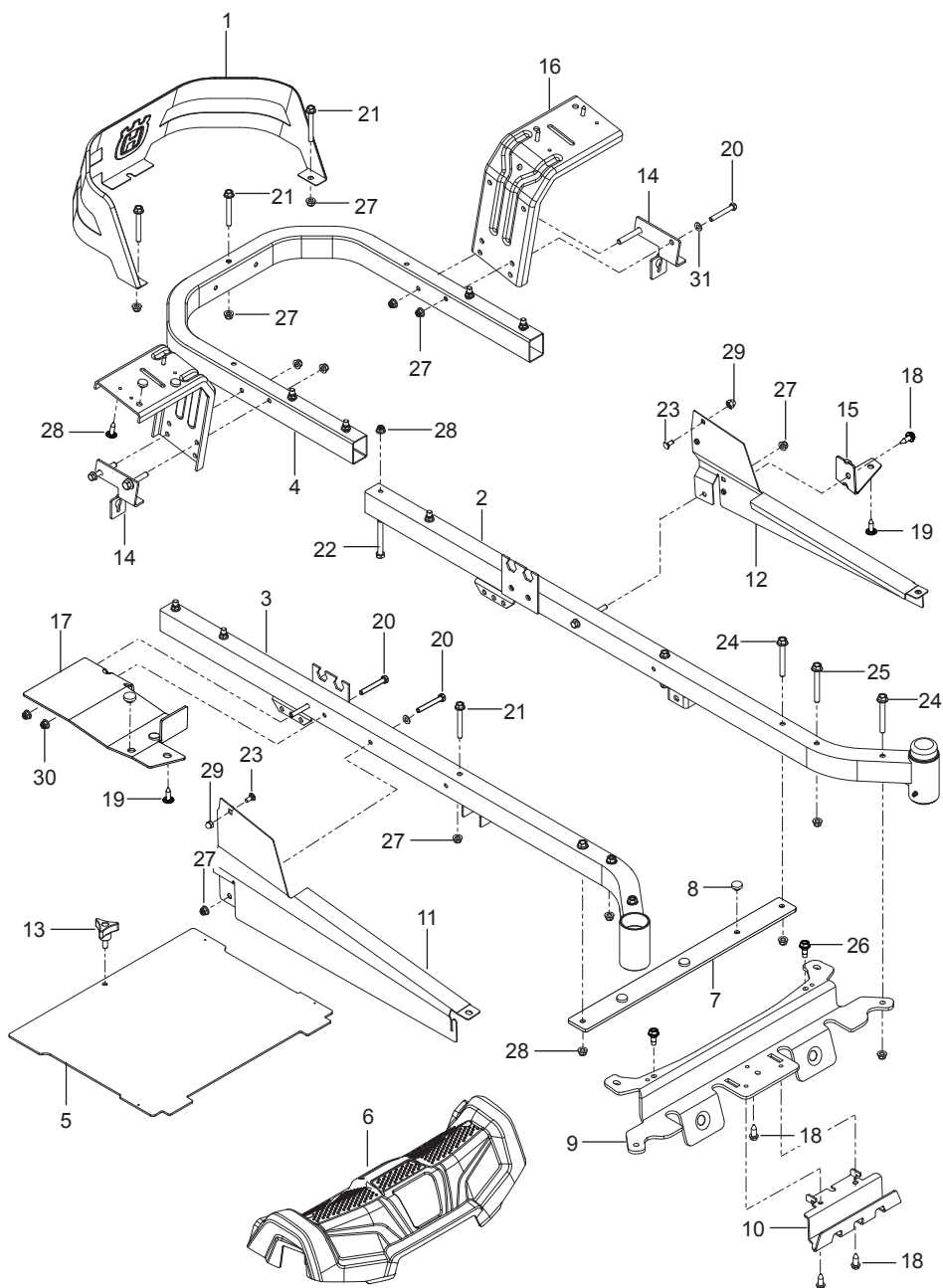
CONTENTS

FRAME	4
ENGINE MOUNTING, GUARDS & MUFFLER	6
STEERING	8
IGNITION SYSTEM.....	10
BRAKE / LIFT	12
HYDRAULIC PUMP-MOTOR.....	14
WHEELS & TIRES	16
MOWER DECK / CUTTING DECK	18
SEAT	20
DECALS	22

Illustrations may or may not represent the actual assemblies and it is not recommended to use this manual as a guide to assemble or disassemble the mower.

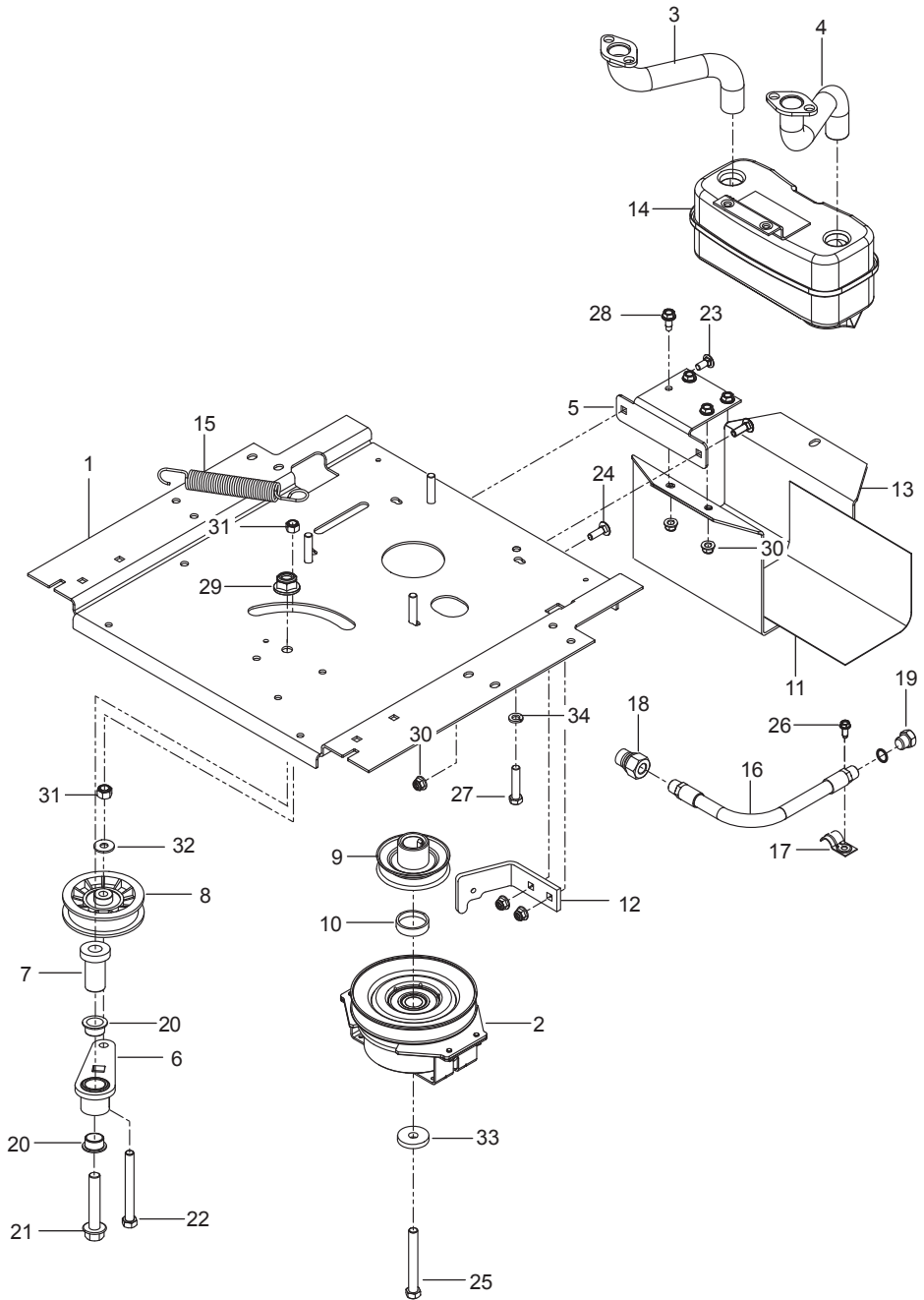
NOTE: All fasteners are Grade 5 unless otherwise specified.

FRAME



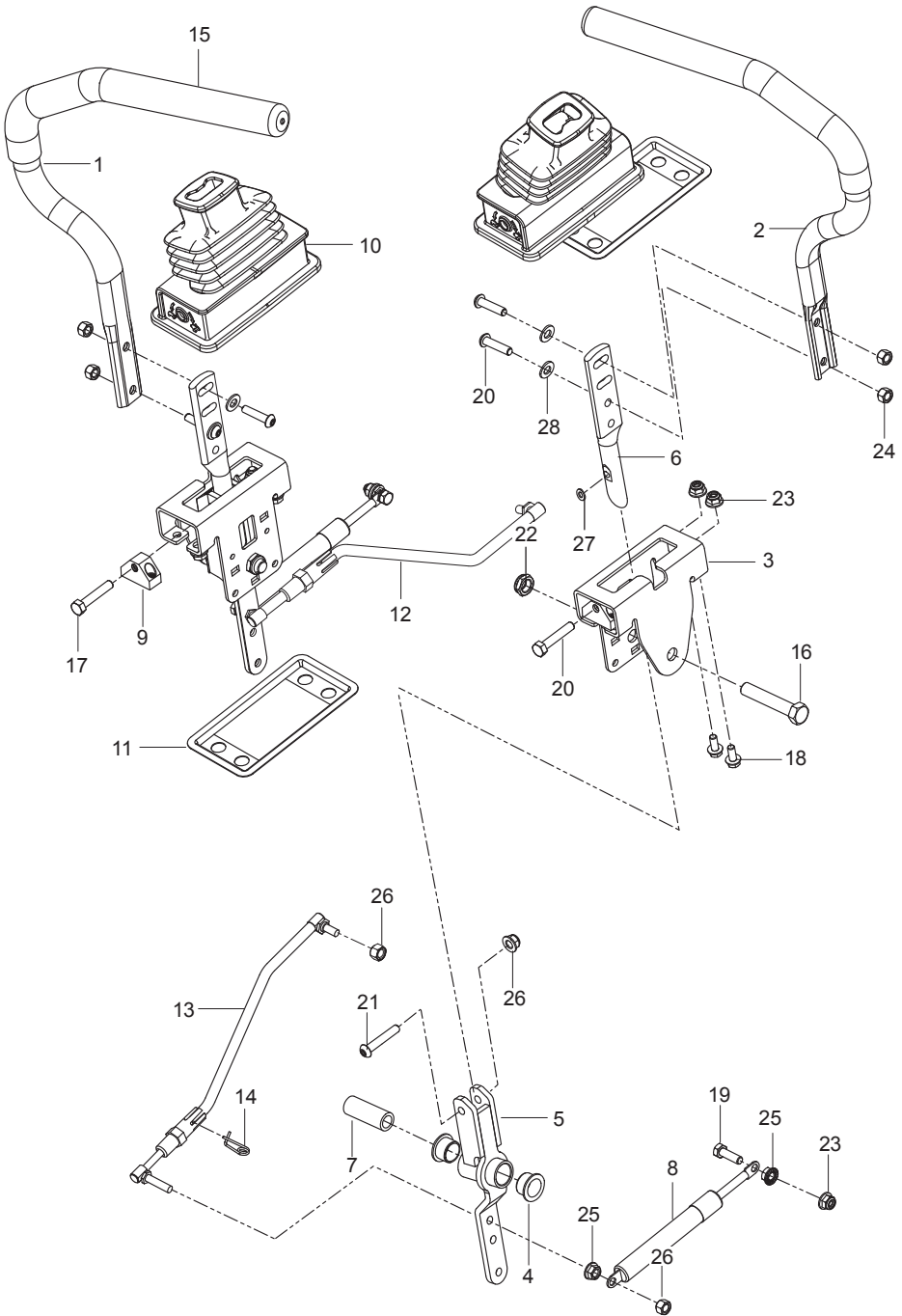
Ref.	Part No.	Qty	Description
1	585 03 98-02	1	Guard, Rear Blk
2	589 28 34-02	1	Frame, Front Right Org
3	589 28 33-02	1	Frame, Front Left Org
4	584 99 10-02	1	Frame, Rear Tube Org
5	522 84 29-02	1	Foot Plate w/ Safety Decal
6	586 70 38-01	1	Cover, Footrest w/Decal
7	585 52 30-04	1	Support, Footrest
8	585 98 93-01	7	Grommet, Bumper
9	585 52 31-04	1	Cross Member
10	585 52 32-04	1	Plate, Skid Silv
11	585 33 16-02	1	Cover, Rail Right
12	585 33 15-02	1	Cover, Rail Left
13	539 10 44-11	1	Knob w/ Stud
14	585 47 43-02	2	Bracket, Bypass Rod
15	585 52 36-04	1	Support, Console Left
16	580 50 13-02	2	Support, Fender Blk
17	585 52 34-04	1	Support, Console Right
18	817 00 05-10	4	Screw 5/16-18 x 5/8 Washer Head
19	532 41 63-58	6	Screw #10-24 x 3/4 Hex Head
20	874 78 05-36	2	Bolt 5/16-18 x 2-1/4
21	874 49 05-44	5	Bolt 5/16-18 x 2-3/4
22	874 78 06-48	8	Bolt 3/8-16 x 3
23	585 94 00-01	2	Bolt 5/16-18 x 1 Carriage
24	577 11 77-01	4	Bolt 3/8-16 x 3
25	586 65 43-01	2	Bolt 3/8-16 x 3 Shoulder
26	586 88 11-01	2	Bolt 5/16-18 Shoulder
27	539 11 28-99	9	Nut 5/16-18 Hex Flange Nyloc
28	521 99 65-01	14	Nut 3/8-16 Hex Flange Nyloc
29	585 93 81-01	2	Nut 5/16-18 Acorn
30	873 90 05-00	2	Nut 5/16-18 Hex Flange Lock
31	819 11 11-16	6	Washer 5/16 SAE Flat

ENGINE MOUNTING, GUARDS & MUFFLER



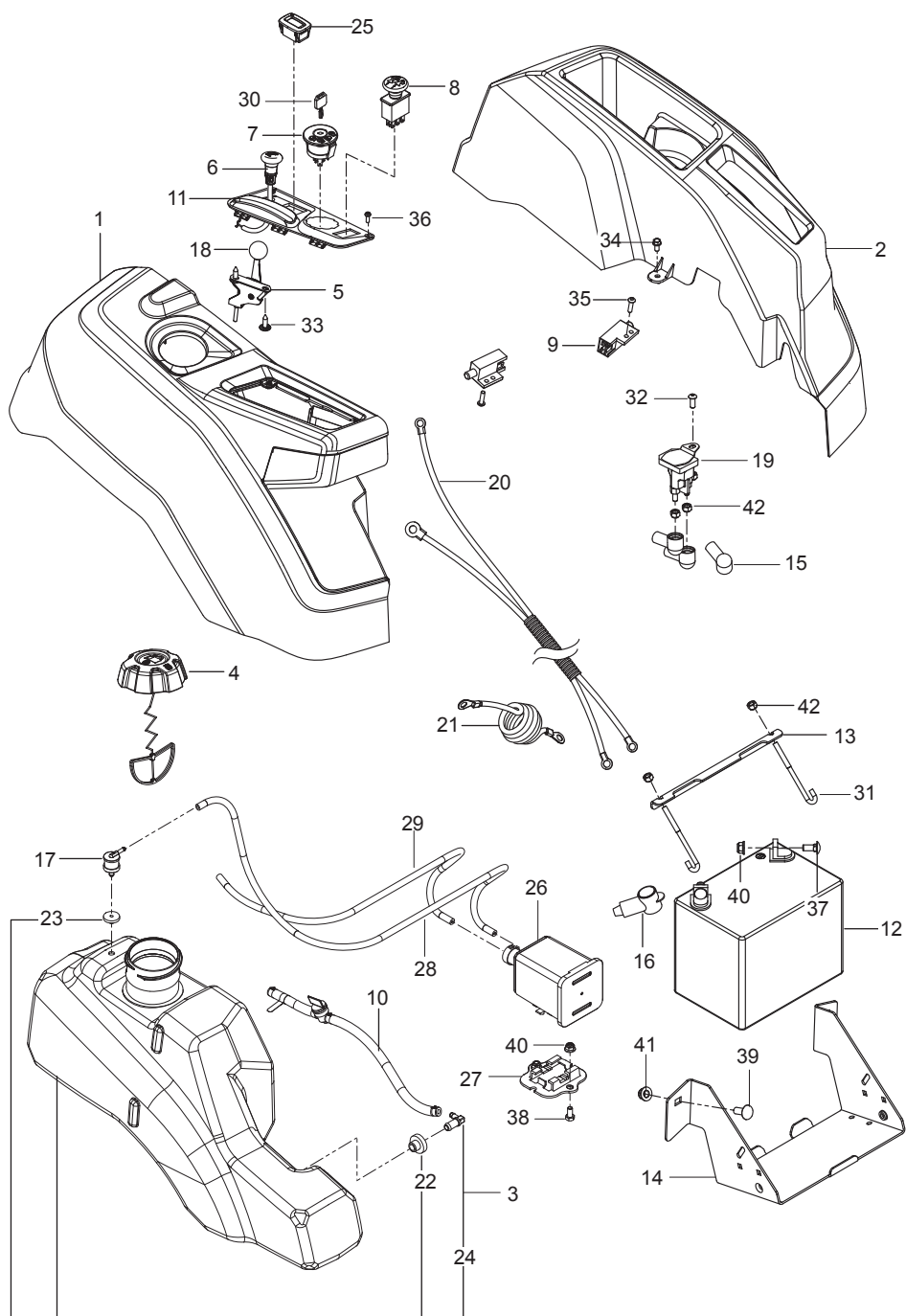
Ref.	Part No.	Qty	Description
1	588 01 71-02	1	Plate, Engine Blk
2	587 24 16-01	1	Clutch
3	583 95 57-01	1	Tube, Exhaust Right
4	583 95 56-01	1	Tube, Exhaust Left
5	581 88 67-02	1	Bracket, Muffler Blk
6	532 44 81-45	1	Arm, Idler
7	582 53 89-01	1	Spindle, Idler
8	539 11 03-11	1	Pulley, Idler
9	587 53 74-01	1	Pulley, Engine
10	587 66 01-01	1	Spacer
11	539 13 28-59	1	Shield, Muffler
12	587 63 33-02	1	Stop, Clutch Blk
13	587 45 12-02	1	Guard, Muffler Blk
14	539 13 16-04	1	Muffler Assembly
15	532 19 61-05	1	Spring, Deck Drive
16	584 82 55-01	2	Assy, Drain Hose
17	539 10 13-63	1	Clamp
18	522 59 90-01	1	Adapter, Oil Drain
19	585 80 71-01	1	Plug, Oil
20	501 60 37-01	2	Bearing, Flanged
21	582 53 95-01	1	Bolt 1/2-13 x 2-3/4 Hex Flange Head
22	874 52 06-56	1	Bolt 3/8-16 x 3-1/2 Hex Head
23	872 14 05-06	2	Bolt 5/16-18 x 1 Round Head Square Neck
24	872 14 05-08	2	Bolt 5/16-18 x 3/4 Round Head Square Neck
25	581 33 28-04	1	Bolt 7/16-20 x 3-1/2 Hex Head
26	817 49 04-10	1	Screw 1/4-20 X 5/8 Thread Form
27	539 97 69-49	4	Bolt 3/8-16 x 1-3/4
28	817 49 05-12	4	Screw 5/16-18 x 3/4 Thread Form
29	521 99 11-01	1	Nut 1/2-13 Hex Flange Nyloc
30	539 11 28-99	5	Nut 5/16-18 Hex Flange Nyloc
31	539 97 69-79	2	Nut 3/8-16 Hex Nyloc
32	819 12 14-14	2	Washer 5/16 Std Flat
33	532 12 61-97	1	Washer, Clutch
34	810 03 06-00	4	Washer 3/8 Split Lock
	NOT SHOWN		
	522 59 86-01	1	Pigtail
	589 54 39-01	1	Idler Arm Kit
	-----	1	Engine, Kawasaki FR651V 21.5 HP For Engine Replacement Parts, See a Kawasaki Dealer

STEERING



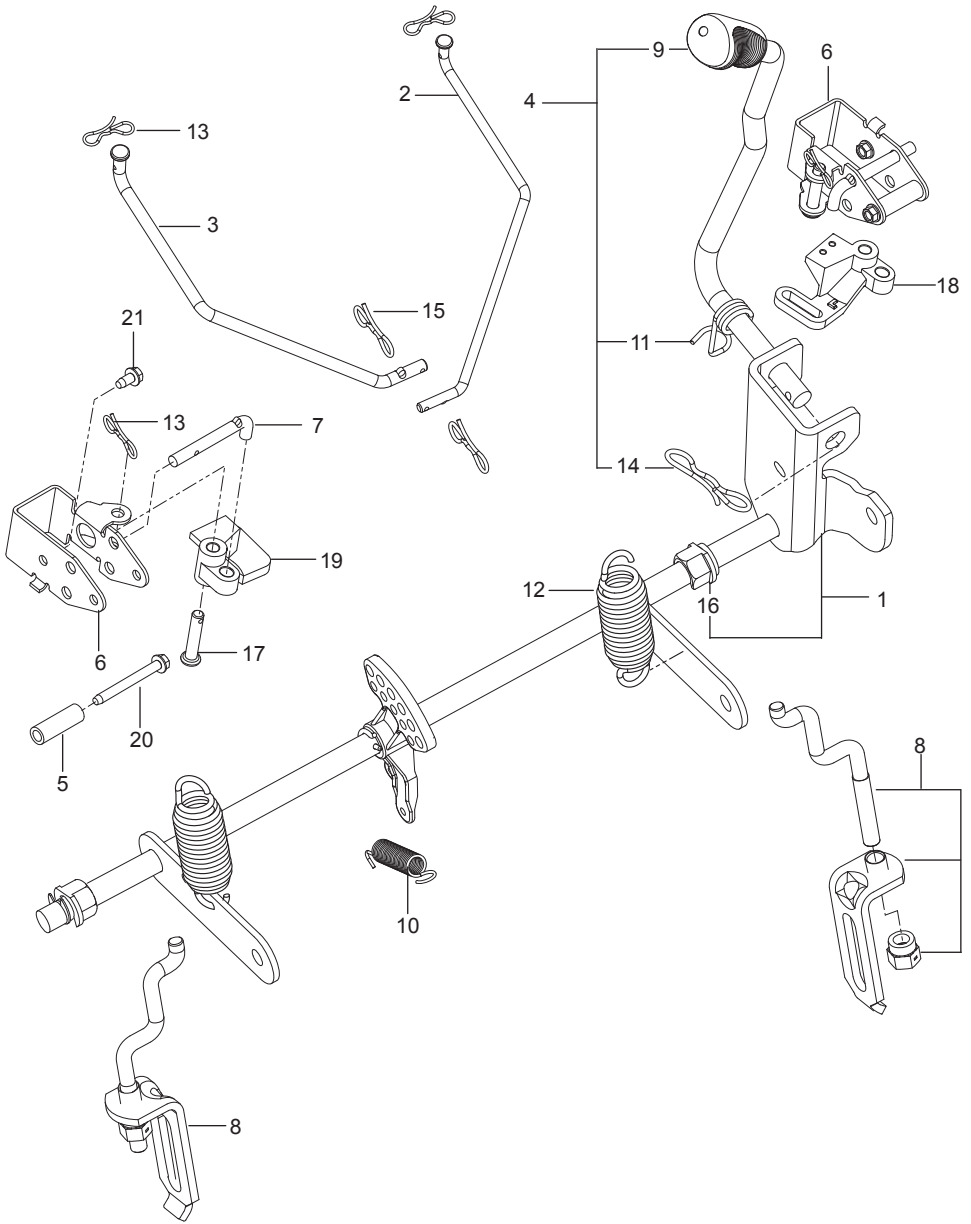
Ref.	Part No.	Qty	Description
1	582 31 38-03	1	Lever w/ Grip Right Blk
2	582 31 38-04	1	Lever w/ Grip Left Blk
3	585 12 47-05	2	Bracket, Control
4	539 13 15-18	4	Bearing, Flanged
5	576 14 03-01	2	Control, Lever
6	587 60 17-02	2	Lever, Handle
7	584 92 72-01	2	Spacer, Pivot Control
8	539 10 27-20	2	Dampener
9	581 43 75-01	2	Block, Tracking
10	585 83 16-01	2	Boot, Steering
11	585 48 82-02	2	Flange, Boot
12	588 60 49-01	2	Assy, Right Control Linkage
13	588 60 50-01	2	Assy, Left Control Linkage
14	532 19 98-49	2	Clip, Spring
15	525 39 29-02	2	Grip, Foam
16	874 78 08-44	2	Bolt 1/2-13 x 2-3/4 Hex Head
17	585 98 61-01	2	Bolt 5/16-18 x 1-1/4 Hex Head
18	874 49 05-12	8	Bolt Hex Flange 5/16-18 x 3/4
19	874 78 05-16	4	Bolt 5/16-18 x 1 Thread Form
20	585 98 59-01	4	Screw 5/16-18 x 1-1/4 Button Head Blk
21	576 85 04-02	2	Screw 5/16-18 x 1-3/4 Button Head
22	539 10 80-10	2	Nut 1/2-13 Hex Jam Nyloc Grade 2
23	539 11 28-99	10	Nut 5/16-18 Hex Flange Nyloc
24	585 98 60-01	4	Nut 5/16-18 Hex Nyloc Blk
25	539 99 05-85	4	Nut 5/16-18 Hex Whiz Lock
26	873 80 05-00	8	Nut 5/16-18 Hex Nyloc
27	587 61 42-01	2	Washer 11/32
28	586 30 91-01	4	Washer 5/16 SAE Flat Blk

IGNITION SYSTEM



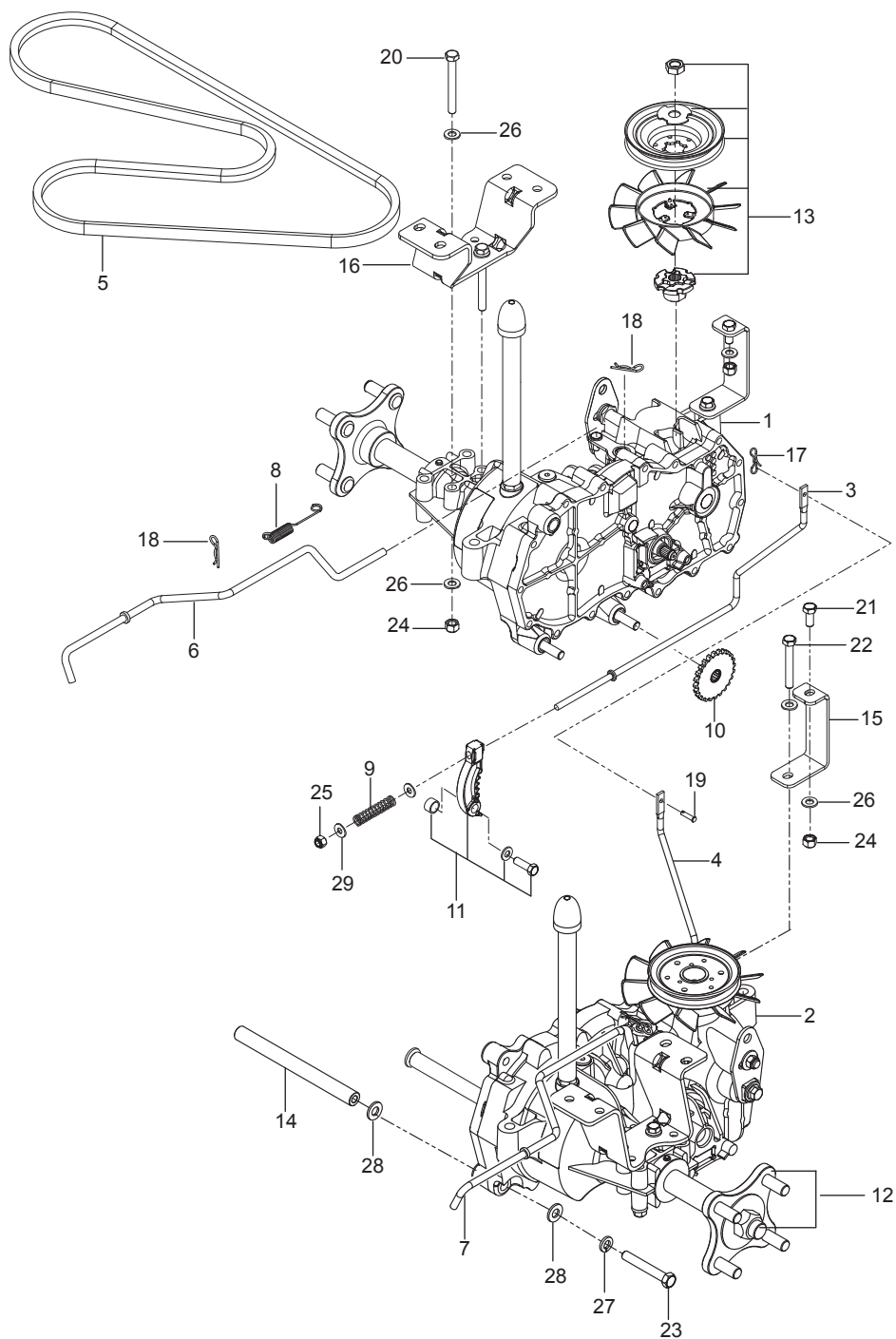
Ref.	Part No.	Qty	Description
1	585 52 28-01	1	Assembly, Fender, Right Gry
2	586 62 12 01	1	Assembly, Fender, Left Gry
3	578 18 06-02	1	Assembly, Fuel Tank
4	585 12 48-01	1	Cap, Fuel w/ Tether
5	539 11 24-38	1	Cable, Throttle
6	586 88 15-01	1	Control, Choke
7	539 10 75-41	1	Switch, Ignition
8	532 17 46-52	1	Switch, Clutch
9	587 60 15-01	2	Switch, Interlock
10	586 12 39-06	1	Assembly, Fuel Line w/ Valve
11	585 52 27-01	1	Panel, Control
12	539 10 24-36	1	Battery
13	510 03 00-03	1	Bracket, Battery
14	582 60 96-02	1	Box, Battery Blk
15	532 13 15-63	3	Terminal Cover
16	539 10 27-59	1	Insulator
17	576 61 81-01	1	Valve, Fuel Check
18	539 13 30-49	1	Knob
19	532 19 25-07	1	Solenoid
20	587 19 86-01	1	Harness, Battery Cable
21	586 10 82-01	1	Cable, Battery Positive
22	532 00 36-45	1	Grommet, Rubber
23	532 43 74-92	1	Grommet, Check Valve
24	532 13 92-77	1	Elbow
25	586 16 18-01	1	Meter, Service
26	532 41 41-14	1	Canister, Carbon Filter
27	575 24 27-01	1	Bracket, Carbon Canister
28	587 04 45-50	1	Hose 3/16 x 50" Purge
29	587 04 45-36	1	Hose 3/16 x 36" Purge
30	532 14 04-01	1	Key, Ignition
31	588 83 94-01	2	J Hook
32	539 11 12-29	1	Screw 1/4-20 x 5/8 Button Socket Head
33	532 14 18-41	2	Screw 10-16 x .65 Socket Head
34	817 49 04-08	2	Screw 1/4-20 x 1/2 Hex Washer Head
35	586 93 60-01	2	Screw #10-24 x 1/2 Socket Head
36	545 22 71-01	2	Screw 6-19 x 7/16 Pan Head
37	872 14 05-06	2	Bolt 5/16-18 x 3/4 Round Head Square Neck
38	539 10 83-92	2	Bolt 5/16-18 x 5/8 Hex Head
39	539 99 06-45	2	Bolt 3/8-16 x 1 Round Head Square Neck
40	539 11 28-99	4	Nut 5/16-18 Flange Nyloc
41	521 99 65-01	2	Nut 3/8-16 Hex Flange Nyloc
42	873 80 04-00	5	Nut 1/4-20 Hex Nyloc
	NOT SHOWN		
	586 33 73-01	1	Harness, Wiring

BRAKE / LIFT



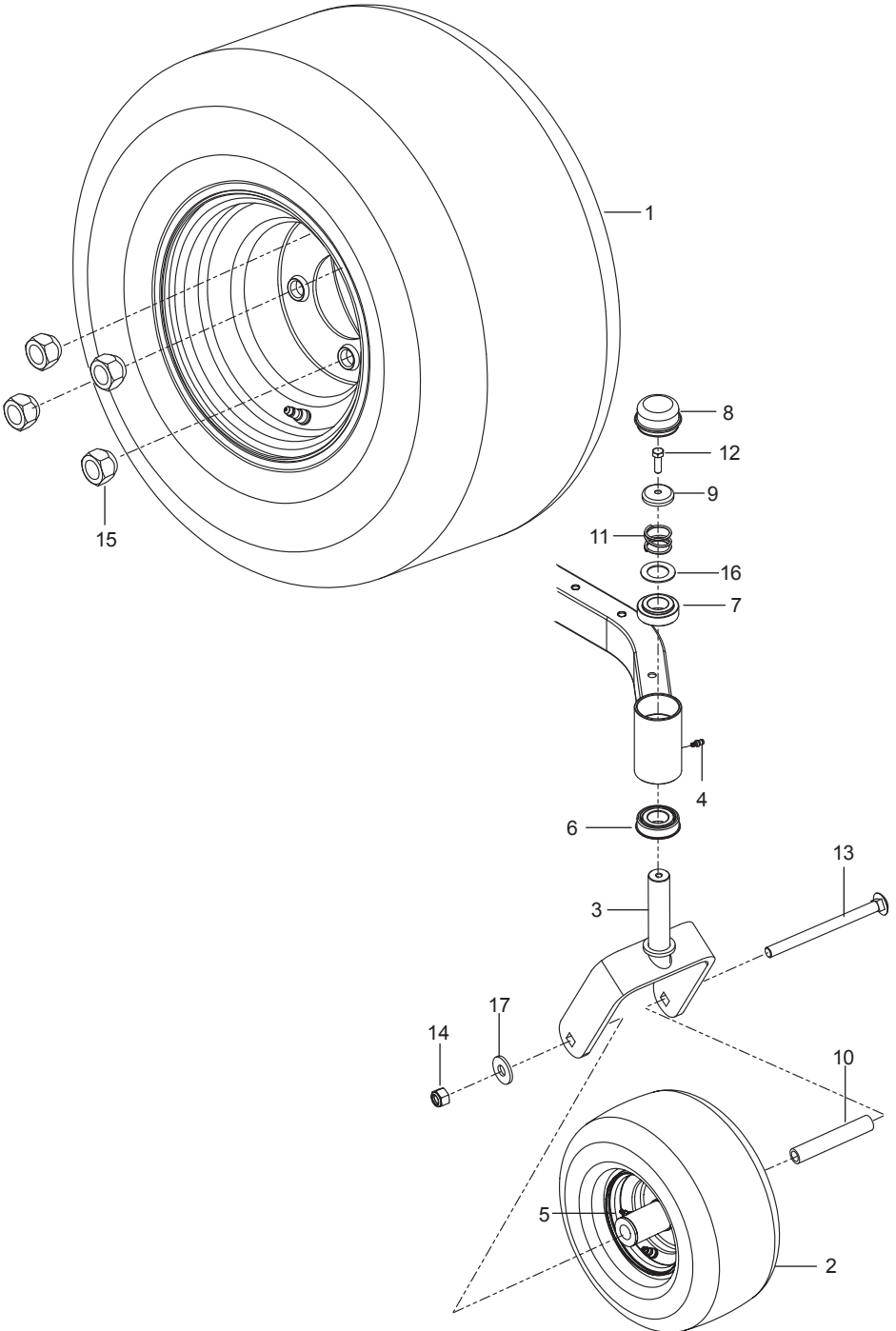
Ref.	Part No.	Qty	Description
1	587 62 31-01	1	Assembly, Shaft w/ Nuts, E-Rings
2	586 45 71-01	1	Link, Brake Left
3	586 45 72-01	1	Link, Brake Right
4	587 62 29-01	1	Assembly, Lift Handle
5	580 48 61-01	2	Spacer
6	585 68 21-02	2	Bracket, Bellcrank
7	585 68 20-01	2	Pushrod
8	587 62 30-01	2	Assembly, Centering Lnk
9	532 44 50-60	1	Grip, Handle Black
10	586 86 76-01	1	Spring
11	532 19 63-14	1	Spring
12	539 11 87-62	2	Spring
13	587 22 53-01	4	Clip
14	532 19 42-09	1	Clip
15	532 19 42-08	2	Clip
16	510 18 49-01	2	Nut, Plastic
17	585 70 14-01	2	Pin 1/2 Clevis
18	586 45 74-01	1	Bellcrank Left
19	586 45 75-01	1	Bellcrank Right
20	586 56 13-01	2	Screw 1/4-20 x 2-1/4 Thread Roll
21	532 13 77-29	2	Screw 1/4-20 x 5/8 Thread Roll

HYDRAULIC PUMP-MOTOR



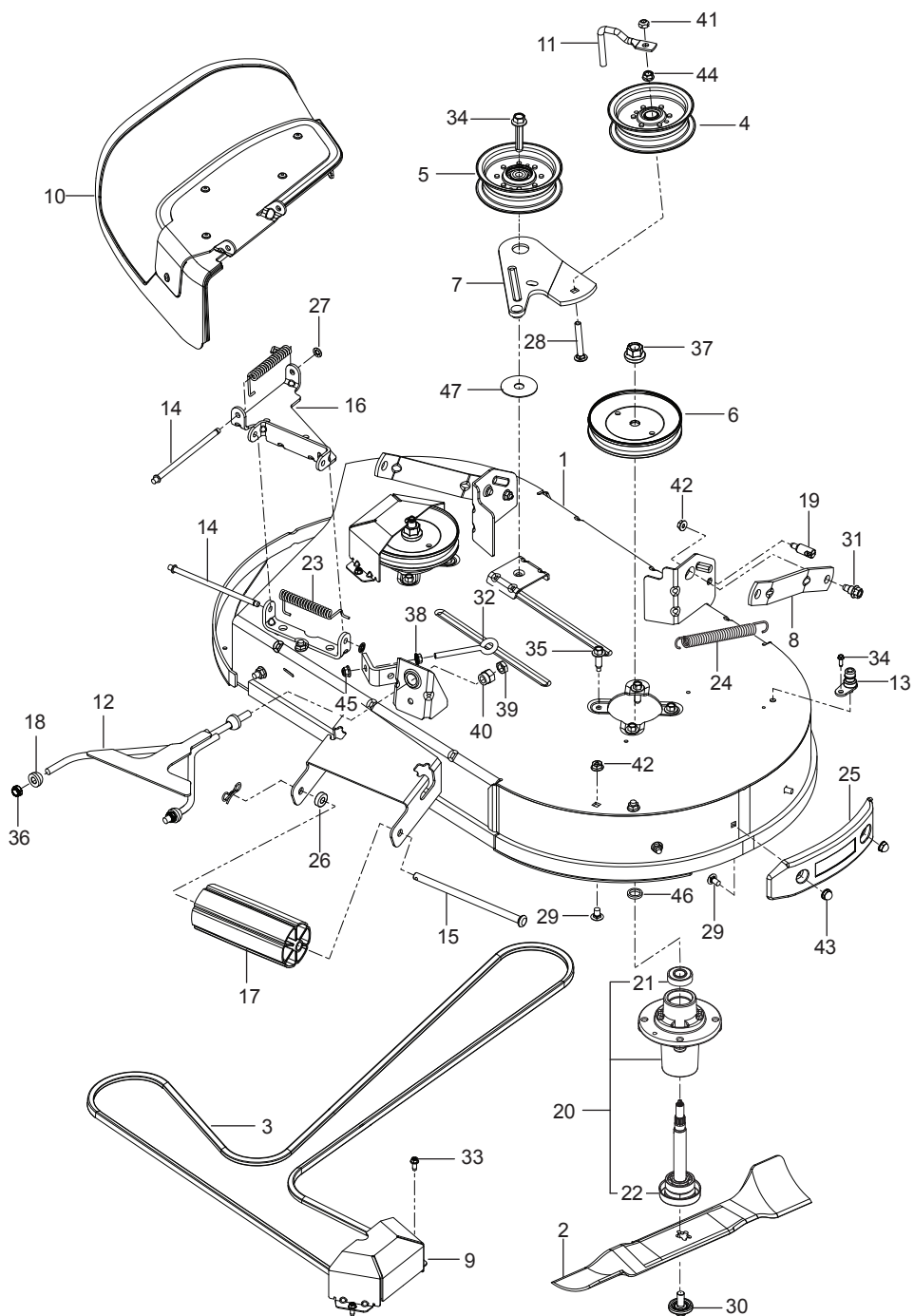
Ref.	Part No.	Qty	Description
1	510 37 56-01	1	EZT, Left
2	510 37 56-02	1	EZT, Right
3	574 03 05-01	1	Rod, EZT Brake Left
4	574 03 05-02	1	Rod, EZT Brake Right
5	539 11 04-11	1	Belt, EZT
6	585 47 44-01	1	Rod, Bypass Left
7	585 47 45-01	1	Rod, Bypass Right
8	586 66 51-01	2	Spring, Bypass
9	539 11 03-42	2	Spring, Brake Rod
10	539 12 00-80	2	Cog, Brake Disc
11	539 12 00-79	2	Assembly Kit, Brake Arm
12	575 50 70-01	1	Assembly Kit, Hub w/ Nuts
13	501 40 36-02	2	Assembly Kit, Blade, Pulley
14	510 18 41-04	2	Spacer Tube
15	580 80 65-02	2	Support, EZT Front
16	580 80 66-02	2	Mount, EZT Rear Blk
17	587 22 53-01	1	Clip
18	539 97 69-88	4	Clip
19	587 11 53-01	1	Pin, Clevis
20	874 78 05-44	4	Bolt 5/16-18 x 2-3/4
21	874 78 05-12	2	Bolt 5/16-18 x 3/4
22	874 78 05-36	2	Bolt 5/16-18 x 2-1/4
23	874 78 06-40	4	Bolt 3/8-16 x 2-1/2
24	873 80 05-00	8	Nut 5/16-18 Hex Nyloc
25	873 80 04-00	2	Nut 1/4-20 Hex Nyloc
26	819 11 11-16	16	Washer 5/16 SAE Flat
27	810 03 06-00	4	Washer 3/8 Splt Lock
28	819 13 13-16	8	Washer 3/8 SAE Flat
29	819 09 10-16	4	Washer 1/4 SAE Flat

WHEELS & TIRES



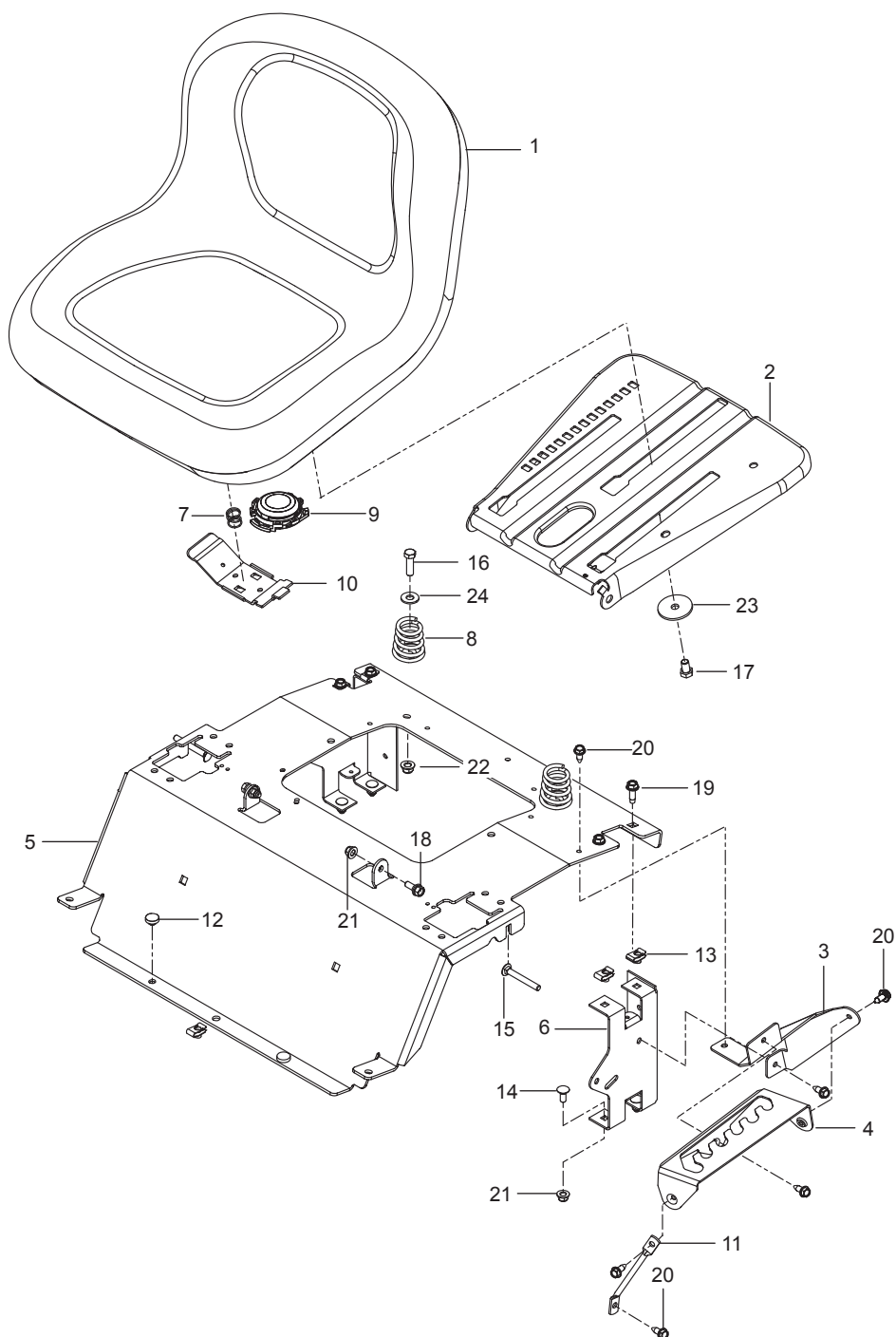
Ref.	Part No.	Qty	Description
1	581 19 73-01	2	Assembly, Wheel Rear 18 x 8.5
2	576 58 86-02	2	Wheel Assembly Caster 11 x 6-5
3	586 65 03-02	2	Yoke Orange
4	539 11 56-38	2	Zerk 3/16 Drive
5	539 10 33-00	2	Zerk
6	539 11 26-60	2	Bearing, Flanged
7	539 11 79-01	2	Bushing, Caster
8	539 10 25-35	2	Grease Cap
9	539 11 57-49	2	Plug, Caster
10	585 99 54-01	2	Spacer, Pivot
11	539 11 57-47	2	Spring, Caster
12	874 95 05-16	2	Bolt, Hex 5/16-18 x 1 Nylon Patch
13	576 60 15-01	2	Bolt 1/2-13 x 7 Round Head Square Neck
14	873 93 08-00	2	Nut 1/2-13 Hex Center Lock
15	539 10 11-73	8	Nut 1/2 Lug
16	539 11 56-75	2	Washer
17	819 18 22-12	2	Washer 9/16

MOWER DECK / CUTTING DECK



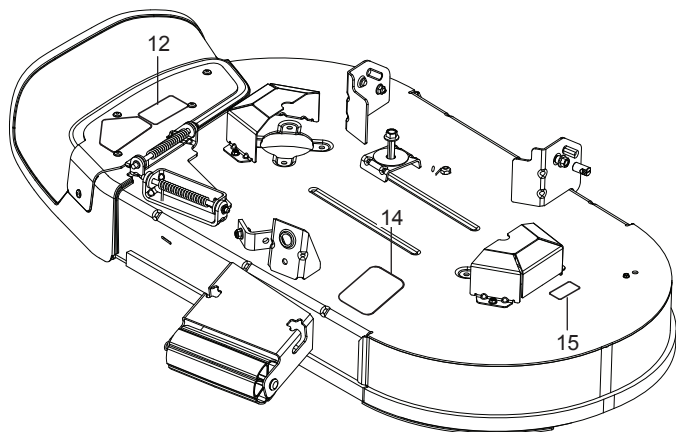
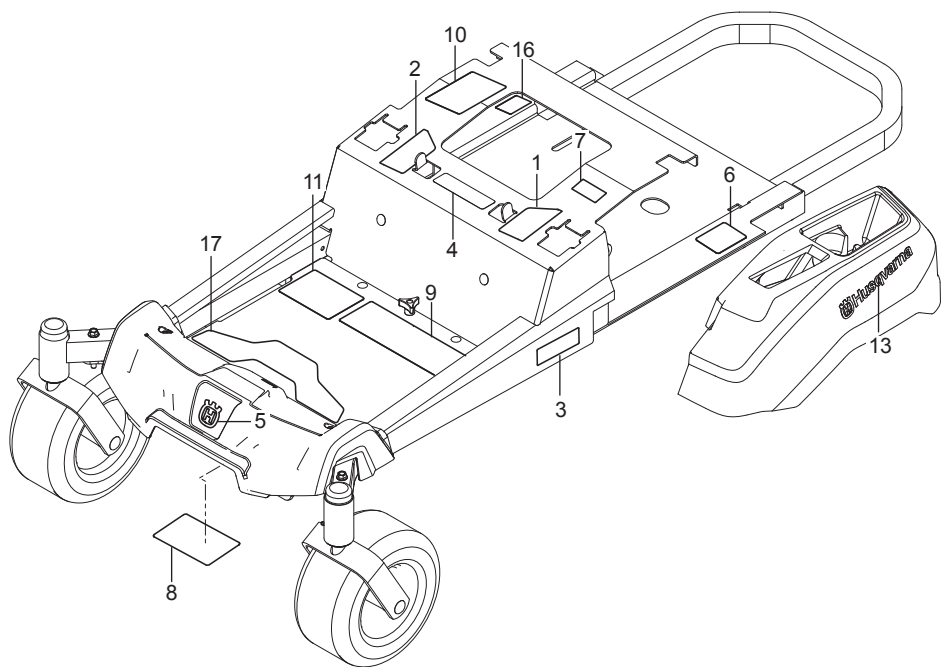
Ref.	Part No.	Qty	Description
1	582 87 76-02	1	Deck Org
2	586 91 81-01	2	Blade, Bagging
3	587 27 00-01	1	Belt
4	532 19 61-06	1	Pulley, Idler
5	532 19 61-04	1	Pulley, Idler
6	532 19 97-91	2	Pulley, Mandrel
7	586 87 40-02	1	Arm, Clutch Blk
8	587 14 05-02	2	Arm, Suspension Blk
9	586 93 68-02	2	Cover, Belt Org
10	587 30 57-01	1	Assy, Deflector Org
11	532 19 84-68	1	Keeper, Belt
12	588 61 09-02	1	Link, Front
13	532 41 55-98	1	Port, Washout
14	532 13 14-91	2	Rod, Hinge
15	532 17 91-27	1	Rod, Nose Roller
16	586 91 80-02	1	Bracket, Hinge Org
17	532 17 60-66	1	Roller, Nose
18	532 19 52-63	3	Bushing, Pivot
19	532 19 51-61	2	Stud w/ Anti-Rotate
20	539 13 18-98	2	Mandrel, Cast Iron
21	532 11 04-85	1	Bearing, Ball
22	532 18 72-91	1	Shaft, Mandrel
23	587 35 47-01	2	Spring, Deflector
24	532 19 72-51	1	Spring, Drive
25	582 68 32-01	1	Bumper w/Decal
26	582 36 05-01	2	Bushing
27	532 11 04-52	2	Push Nut
28	872 14 06-20	1	Bolt 3/8-16 x 2-1/2 Round Head Square Neck
29	872 11 05-05	5	Bolt 5/16-18-5/8 Round Head Square Neck
30	532 19 30-03	2	Bolt/Washer 7/16-20
31	532 19 65-39	2	Bolt, Shoulder
32	539 11 55-74	1	Eyebolt 5/16 x 3-1/2
33	532 13 77-29	4	Screw 1/4-20 x 5/8 Thread Roll
34	587 33 33-01	1	Screw 7/16-14 x 2 Hex Washer Head
35	532 17 39-84	8	Screw 5/16-18 x 1 Thread Roll
36	539 11 91-24	2	Nut 7/16-14 Hex Nyloc
37	532 40 02-34	2	Nut 9/16 Top Center Lock
38	539 99 05-85	1	Nut 5/16-18 Hex Whiz Lock
39	873 36 07-00	1	Nut 7/16-20 Hex Jam
40	532 17 59-94	1	Nut 7/16-20 Lift Link
41	873 90 06-00	1	Nut 3/8-16 Flange Lock
42	873 90 05-00	7	Nut 5/16-18 Hex Flange Lock
43	585 93 81-01	2	Nut 5/16-18 Acorn
44	873 68 06-00	1	Nut 3/8-16 Crown Lock
45	539 11 28-99	1	Nut 5/16-18 Hex Flange Nyloc
46	532 18 76-90	2	Washer, Spacer
47	532 17 85-15	1	Washer, Flat Hardened

SEAT



Ref.	Part No.	Qty	Description
1	532 43 98-22	1	Seat
2	532 19 69-77	1	Pan, Seat
3	586 22 08-02	1	Plate, Lift Support
4	586 22 12-02	1	Plate, Deck Lift
5	589 48 12-06	1	Support, Seat Orange
6	580 30 82-02	2	Support, Seat Rear Black
7	532 19 82-00	1	Spring, Latch
8	589 48 35-01	2	Spring, Seat
9	532 40 15-45	1	Switch, Seat
10	532 19 76-61	1	Handle, Slide
11	586 42 86-01	1	Leg, Support
12	585 98 93-01	2	Grommet, Bumper
13	539 10 47-63	5	Retainer, U Type
14	872 14 05-06	4	Bolt 5/16-18 x 3/4 Round Head Square Neck
15	510 42 27-01	2	Bolt 5/16-18 x 2-1/2 Round Head Square Neck
16	874 78 06-20	2	Bolt 3/8-16 x 1-1/4
17	874 78 06-10	1	Bolt 3/8-16 x 5/8
18	539 11 03-03	2	Bolt 5/16-18 Shoulder
19	817 49 05-12	4	Screw 5/16-18 x 3/4 Thread Form
20	817 00 05-10	6	Screw 5/16-18 x 5/8 Washer Head
21	539 11 28-99	4	Nut 5/16-18 Hex Flange Nyloc
22	521 99 65-01	2	Nut 3/8-16 Hex Flange Nyloc
23	539 11 18-97	1	Washer 3/8 Special
24	819 14 16-14	2	Washer 3/8 Std Flat
	NOT SHOWN - OPTIONAL		
	532 42 14-99	1	Kit, Arm Rest

DECALS



Ref.	Part No.	Qty	Description
1	587 59 56-01	1	Decal, Steer / Brake Left
2	587 59 55-01	1	Decal, Steer / Brake Right
3	587 76 92-01	2	Decal, Z 242F
4	539 10 57-45	1	Decal, Battery Warning
5	532 42 86-77	1	Decal, Crown
6	539 10 83-85	1	Decal, Do Not Tow
7	539 10 83-86	1	Decal, Exit Mower
8	539 10 98-97	1	Decal, Service
9	583 93 40 01	1	Decal, Safety Warnings
10	532 42 38-29	1	Decal, Responsibility
11	588 03 51-01	1	Decal, Start
12	586 97 88-01	1	Decal, Deflector
13	577 46 90-01	2	Decal, Husqvarna
14	581 58 00-01	1	Decal, Belt Routing
15	581 72 43-01	1	Decal, No Step
16	532 42 41-02	1	Decal, Spark Arrestor
17	587 00 07-01	1	Pad, Abrasive

www.husqvarna.com

115 84 58-27 Rev B
2016-11-15