



Parts Manual

Zero Turn Mower / Z 246

967271601-00

Please read the operator manual carefully and make sure you understand the instructions before using the machine.



When you need spare parts or support in service questions, warranty issues, etc., please consult the following professional:

This manual belongs to the machine with the manufacturing number:	Engine	Transmission

Manufacturing Number

The machine's manufacturing number can be found on the printed plate affixed to the engine compartment.

Stated on the plate, from the top are:

- The machine's type designation (I.D.).
- The manufacturer's type number (Model).
- The machine's serial number (Serial no.)

Please have the type designation and serial number available when ordering spare parts.

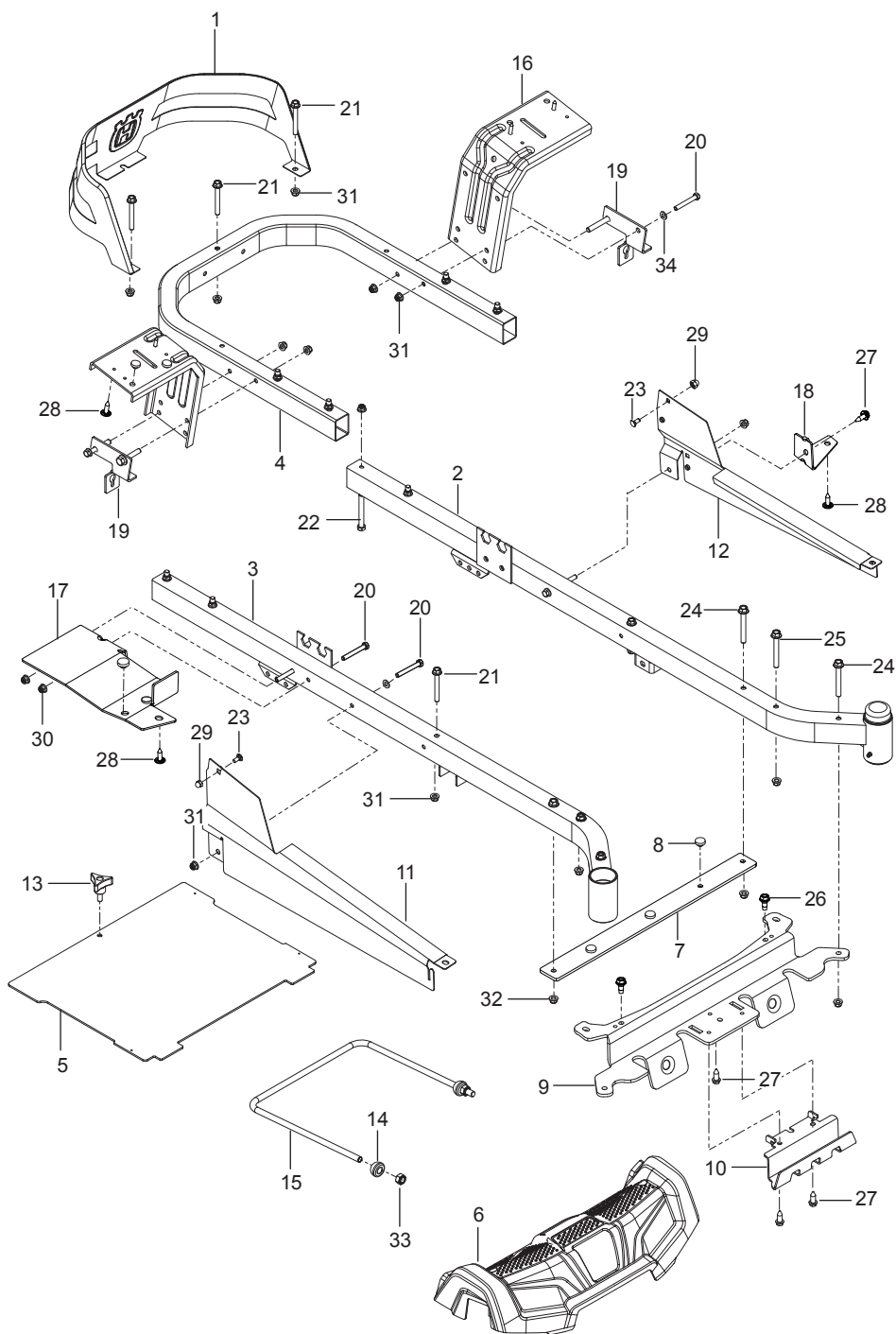
CONTENTS

FRAME	4
ENGINE MOUNTING, GUARDS & MUFFLER	6
STEERING	8
IGNITION SYSTEM.....	10
BRAKE / LIFT	12
HYDRAULIC PUMP-MOTOR.....	14
WHEELS & TIRES	16
MOWER DECK / CUTTING DECK	18
SEAT	20
DECALS	22

Illustrations may or may not represent the actual assemblies and it is not recommended to use this manual as a guide to assemble or disassemble the mower.

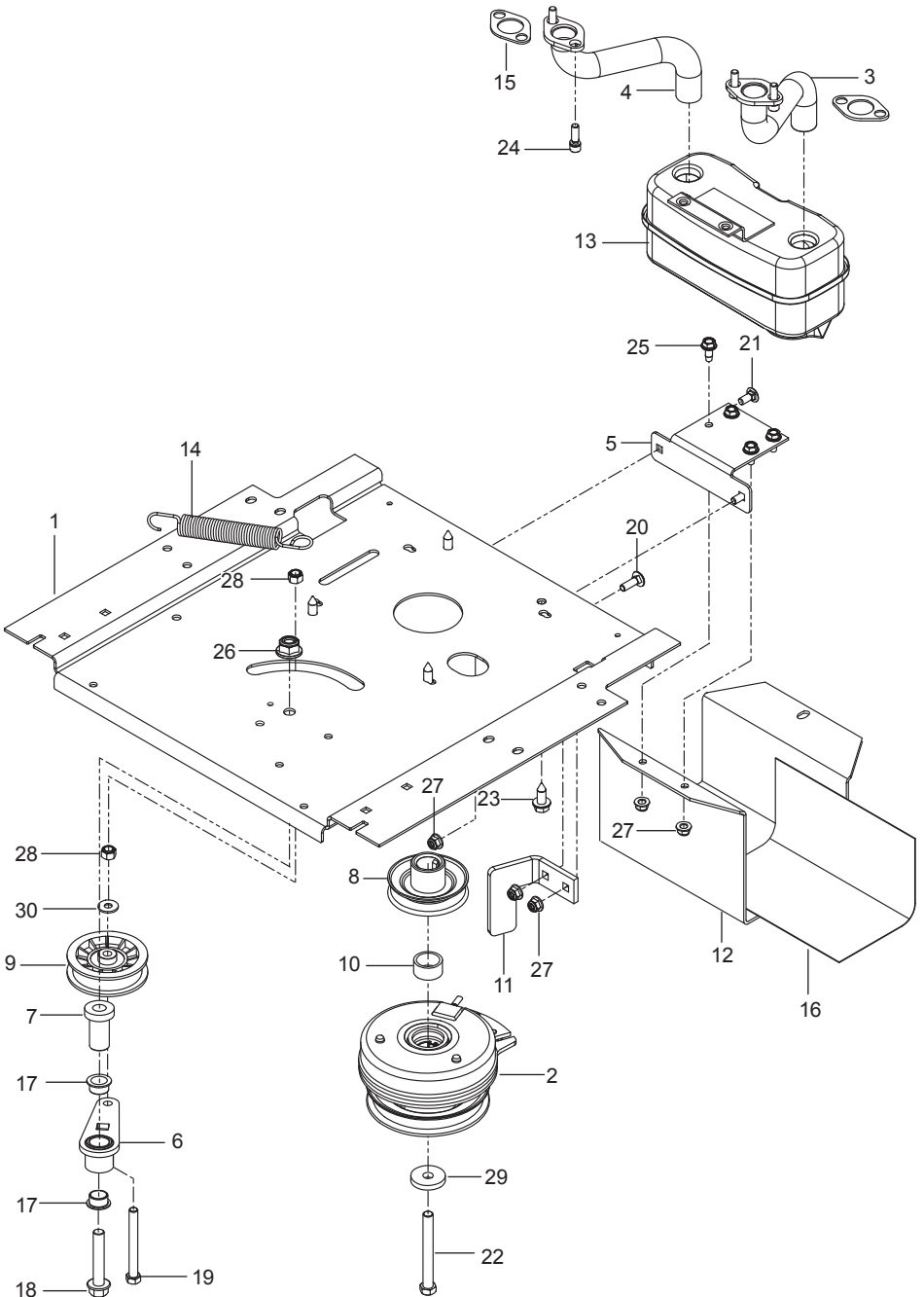
NOTE: All fasteners are Grade 5 unless otherwise specified.

FRAME



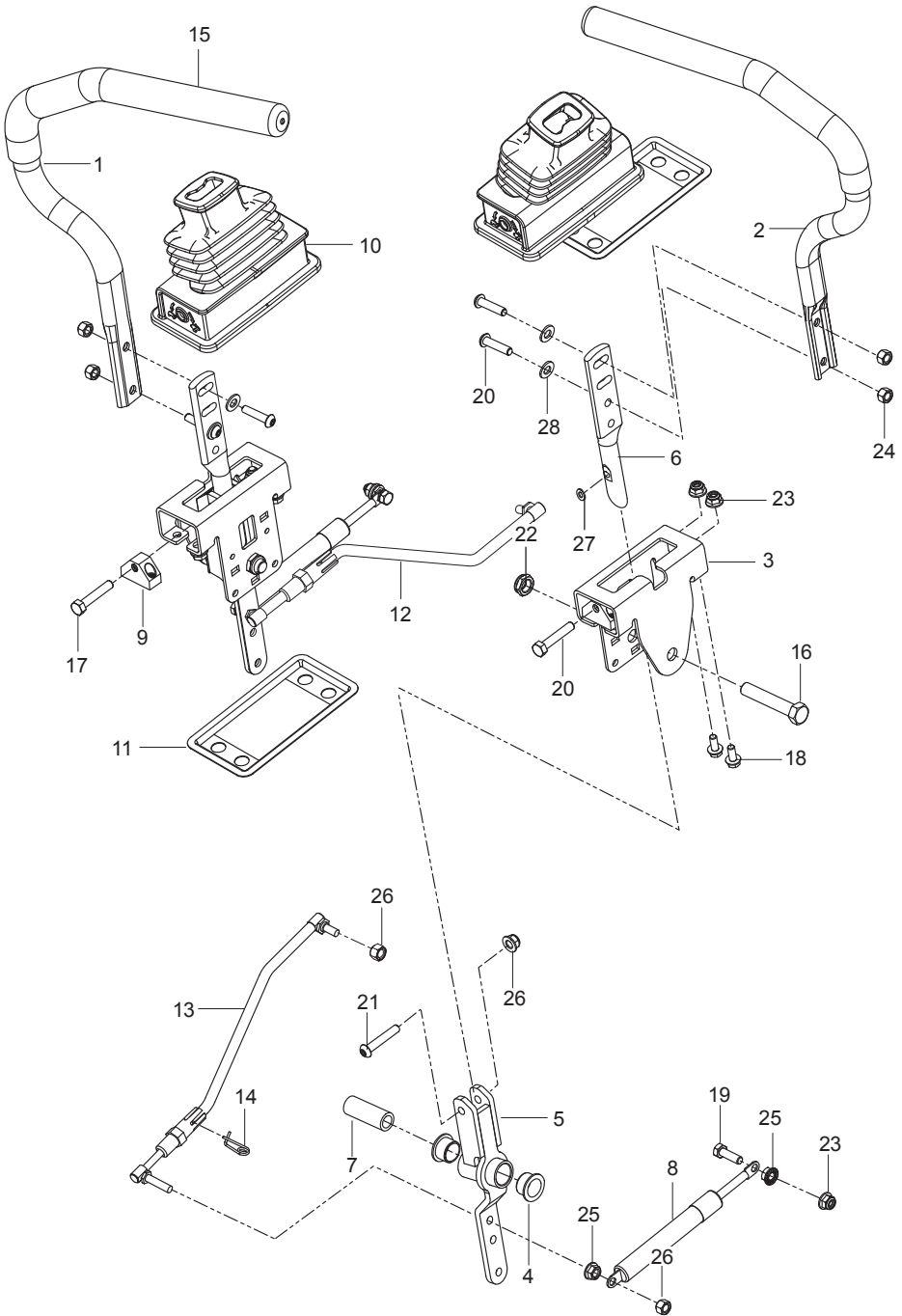
Ref.	Part No.	Qty	Description
1	585 03 98-02	1	Guard, Rear Black
2	510 17 75-03	1	Frame, Front Right Orange
3	510 17 74-03	1	Frame, Front Left Orange
4	584 99 10-02	1	Frame, Rear Tube Orange
5	522 84 29-02	1	Foot Plate w/ Safety Decal
6	585 52 24-01	1	Cover, Footrest
7	585 52 30-04	1	Support, Footrest
8	585 98 93-01	7	Grommet, Bumper
9	585 52 31-04	1	Cross Member
10	585 52 32-04	1	Plate, Skid Silver
11	585 33 16-02	1	Cover, Rail Right
12	585 33 15-02	1	Cover, Rail Left
13	539 10 44-11	1	Knob w/ Stud
14	532 19 52-63	2	Bushing, Pivot
15	521 93 81-01	1	Link, Front Suspension
16	580 50 13-02	2	Support, Fender Black
17	585 52 34-04	1	Support, Console Right
18	585 52 36-04	1	Support, Console Left
19	585 47 43-02	2	Bracket, Bypass Rod
20	874 78 05-36	8	Bolt 5/16-18 x 2-1/4
21	874 49 05-44	5	Bolt 5/16-18 x 2-3/4
22	874 78 06-48	8	Bolt 3/8-16 x 3
23	585 94 00-01	2	Bolt 5/16-18 x 1 Carriage
24	577 11 77-01	4	Bolt 3/8-16 x 3
25	586 65 43-01	2	Bolt 3/8-16 x 3 Shoulder
26	586 88 11-01	2	Bolt 5/16-18 Shoulder
27	817 00 05-10	4	Screw 5/16-18 x 5/8 Washer Head
28	532 41 63-58	6	Screw #10-24 x 3/4 Hex Head
29	585 93 81-01	2	Nut 5/16-18 Acorn
30	873 90 05-00	2	Nut 5/16-18 Hex Flange Lock
31	539 11 28-99	9	Nut 5/16-18 Hex Flange Nyloc
32	521 99 65-01	8	Nut 3/8-16 Hex Flange Nyloc
33	539 11 91-24	2	Nut 7/16-14 Hex Nyloc
34	819 11 11-16	6	Washer 5/16 Sae Flat

ENGINE MOUNTING, GUARDS & MUFFLER



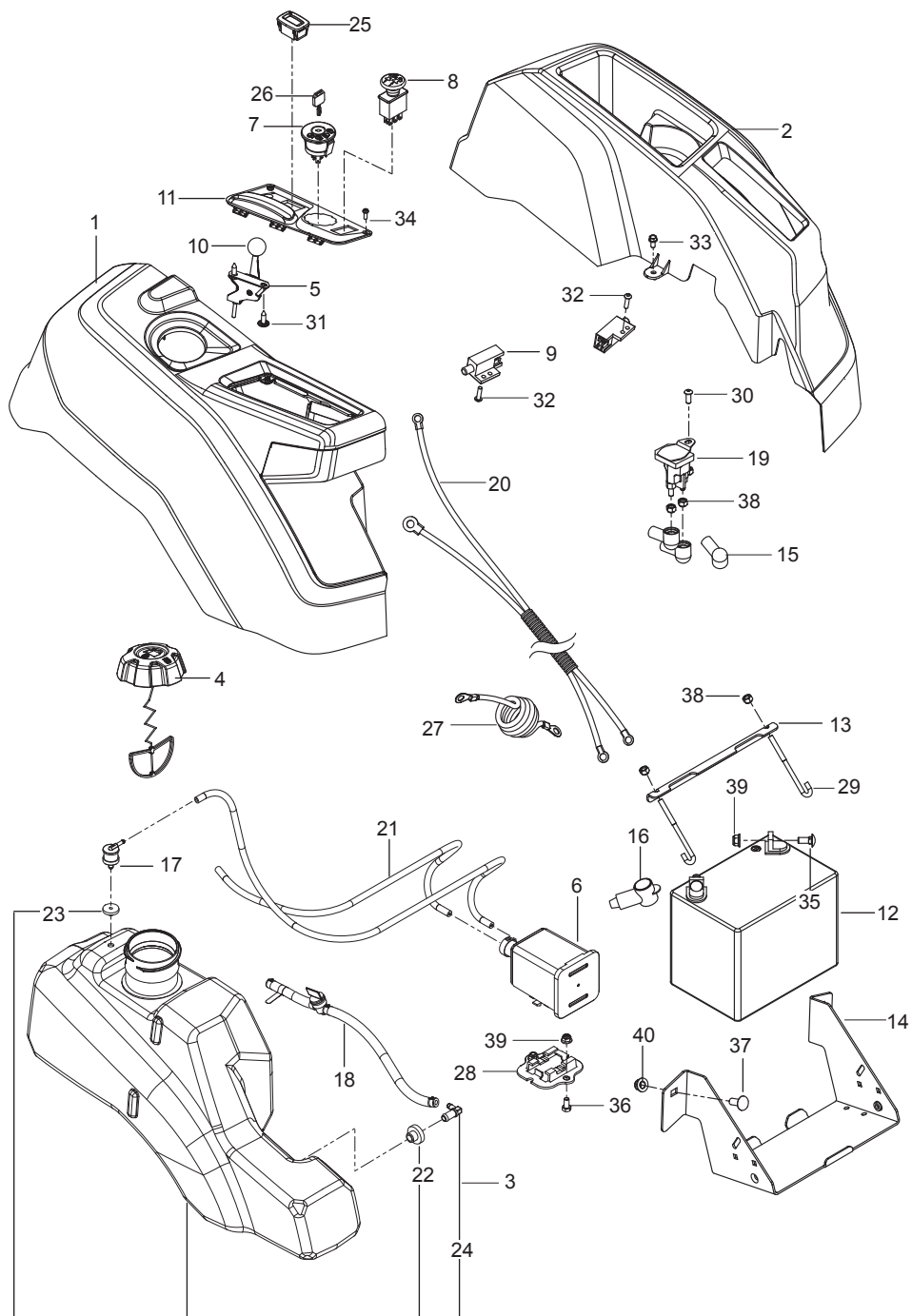
Ref.	Part No.	Qty	Description
1	588 01 71-02	1	Plate, Engine Blk
2	585 52 11-01	1	Clutch
3	581 88 11-01	1	Tube, Exhaust Left
4	581 88 10-01	1	Tube, Exhaust Right
5	581 88 67-02	1	Bracket, Muffler Blk
6	532 44 81-45	1	Arm, Idler
7	582 53 89-01	1	Spindle, Idler
8	587 53 74-01	1	Pulley, Engine
9	539 11 03-11	1	Pulley, Idler
10	539 11 22-52	1	Spacer
11	510 24 60-02	1	Stop, Clutch Blk
12	587 45 12-02	1	Guard, Muffler Blk
13	539 13 16-04	1	Muffler Assembly
14	532 19 61-05	1	Spring, Deck Drive
15	532 16 53-91	2	Gasket, Muffler
16	539 13 28-59	1	Shield, Heat
17	501 60 37-01	2	Bearing, Flanged
18	582 53 95-01	1	Bolt 1/2-13 x 2-3/4 Hex Flange Head
19	874 52 06-56	1	Bolt 3/8-16 x 3-1/2 Hex Head
20	872 14 05-08	2	Bolt 5/16-18 x 1 Round Head Square Neck
21	872 14 05-06	2	Bolt 5/16-18 x 3/4 Round Head Square Neck
22	581 33 28-04	1	Bolt 7/16-20 x 3-1/2 Hex Head
23	817 12 06-16	4	Screw 3/8-16 x 1 Thread Form
24	532 18 39-06	4	Screw 5/16-18 x 1 Socket Head
25	817 49 05 12	4	Screw 5/16-18 x 3/4 Thread Form
26	521 99 11-01	1	Nut 1/2-13 Hex Flange Nyloc
27	539 11 28-99	5	Nut 5/16-18 Hex Flange Nyloc
28	539 97 69-79	2	Nut 3/8-16 Hex Nyloc
29	532 12 61-97	1	Washer, Clutch
30	819 12 14-14	2	Washer 5/16 Std Flat
	NOT SHOWN		
	589 54 39-01	1	Idler Arm Kit
	-----	1	Engine, Briggs & Stratton 40S777 20 HP For Engine Replacement Parts, See a B&S Dealer

STEERING



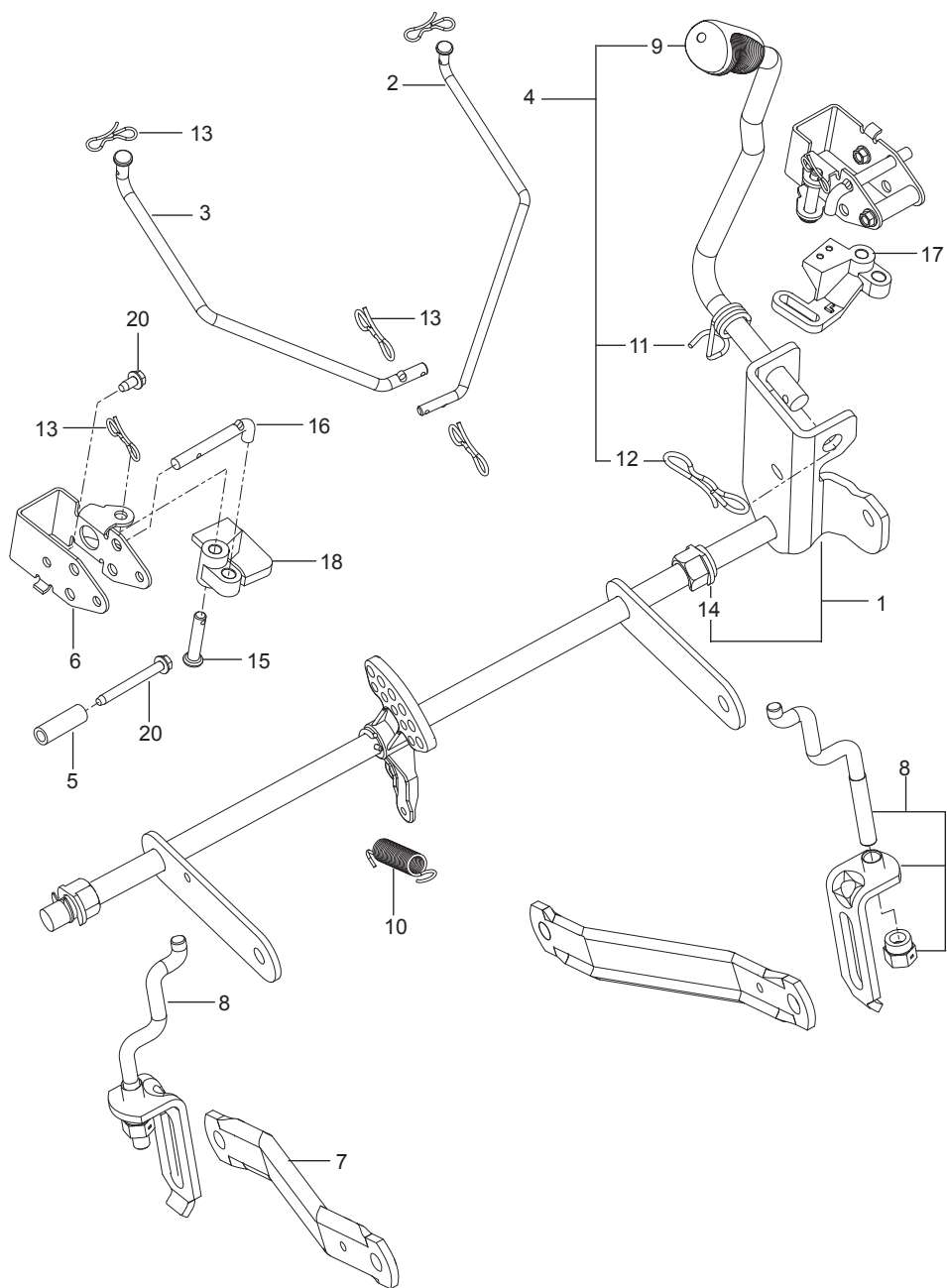
Ref.	Part No.	Qty	Description
1	582 31 38-03	1	Lever w/ Grip Right Blk
2	582 31 38-04	1	Lever w/ Grip Left Blk
3	585 12 47-05	2	Bracket, Control
4	539 13 15-18	4	Bearing, Flanged
5	576 14 03-01	2	Control, Lever
6	587 60 17-02	2	Lever, Handle
7	584 92 72-01	2	Spacer, Pivot Control
8	539 10 27-20	2	Dampener
9	581 43 75-01	2	Block, Tracking
10	585 83 16-01	2	Boot, Steering
11	585 48 82-02	2	Flange, Boot
12	588 60 49-01	2	Assy, Right Control Linkage
13	588 60 50-01	2	Assy, Left Control Linkage
14	532 19 98-49	2	Clip, Spring
15	525 39 29-02	2	Grip, Foam
16	874 78 08-44	2	Bolt 1/2-13 x 2-3/4 Hex Head
17	585 98 61-01	2	Bolt 5/16-18 x 1-1/4 Hex Head
18	874 49 05-12	8	Bolt Hex Flange 5/16-18 x 3/4
19	874 78 05-16	2	Bolt 5/16-18 x 1 Thread Form
20	585 98 59-01	4	Screw 5/16-18 x 1-1/4 Button Head Blk
21	576 85 04-02	2	Screw 5/16-18 x 1-3/4 Button Head
22	539 10 80-10	2	Nut 1/2-13 Hex Jam Nyloc Grade 2
23	539 11 28-99	10	Nut 5/16-18 Hex Flange Nyloc
24	585 98 60-01	4	Nut 5/16-18 Hex Nyloc Blk
25	539 99 05-85	4	Nut 5/16-18 Hex Whiz Lock
26	873 80 05-00	4	Nut 5/16-18 Hex Nyloc
27	587 61 42-01	2	Washer 11/32
28	586 30 91-01	4	Washer 5/16 SAE Flat Blk

IGNITION SYSTEM



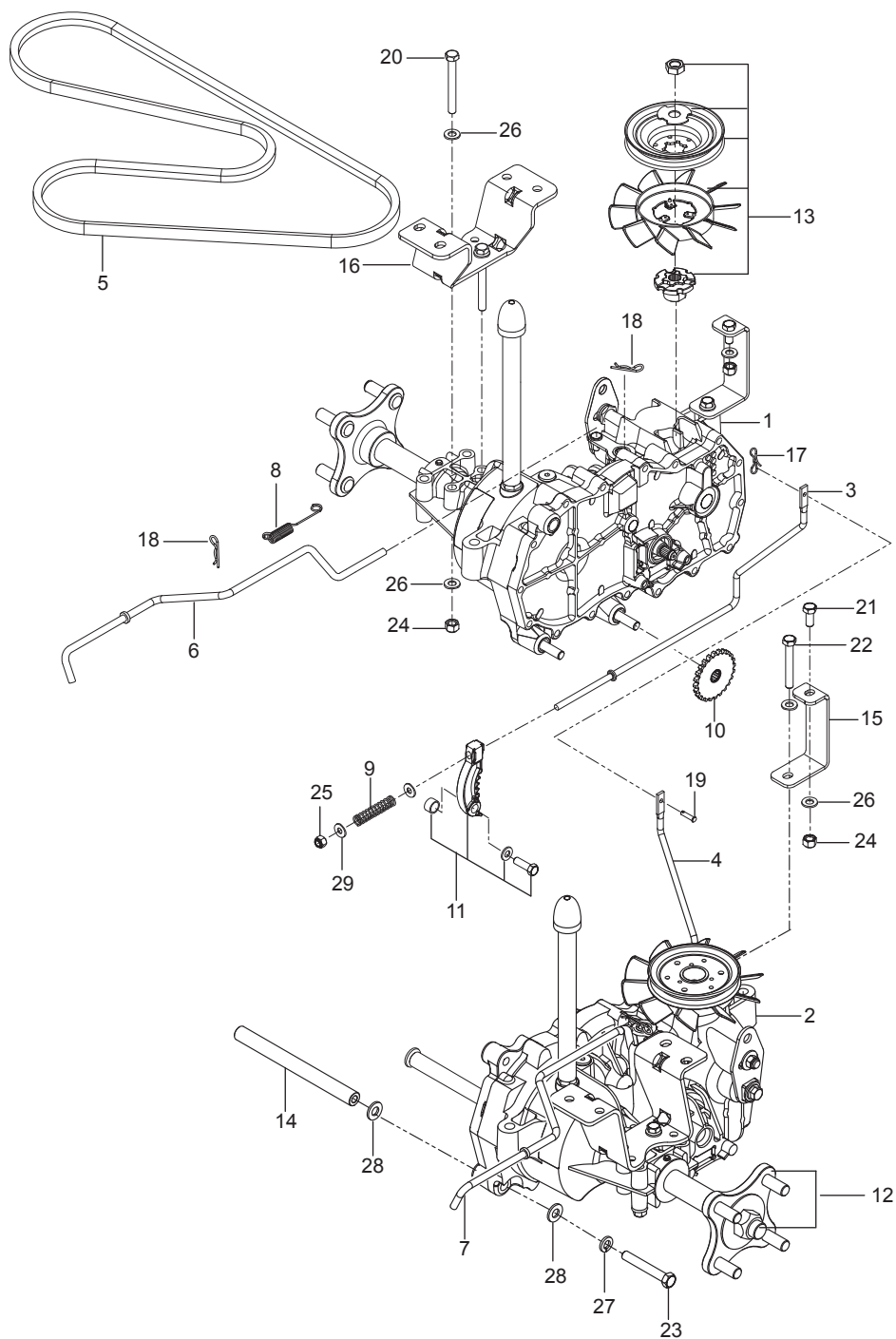
Ref.	Part No.	Qty	Description
1	585 52 28-01	1	Assembly, Fender, Right Gry
2	586 62 12 01	1	Assembly, Fender, Left Gry
3	578 18 06-02	1	Assembly, Fuel Tank
4	585 12 48-01	1	Cap, Fuel w/ Tether
5	585 97 49-02	1	Cable, Throttle
6	532 41 41-14	1	Canister, Carbon Filter
7	539 10 75-41	1	Switch, Ignition
8	582 10 76-02	1	Switch, Blade
9	587 60 15-01	2	Switch, Interlock
10	539 13 30-49	1	Knob
11	585 52 27-03	1	Panel, Control
12	539 10 24-36	1	Battery
13	510 03 00-03	1	Bracket, Battery
14	582 60 96-02	1	Box, Battery Black
15	532 13 15-63	3	Terminal Cover
16	539 10 27-59	1	Insulator
17	576 61 81-01	1	Valve, Fuel Check
18	586 12 39-04	1	Assembly, Fuel Line w/ Valve
19	582 04 28-01	1	Solenoid
20	587 19 86-01	1	Harness, Battery Cable
21	587 04 45-33	2	Hose 3/16 x 36" Vapor
22	532 00 36-45	1	Grommet, Rubber
23	532 43 74-92	1	Grommet, Check Valve
24	532 13 92-77	1	Elbow
25	586 16 18-01	1	Meter, Service
26	532 14 04-01	1	Key, Ignition
27	539 10 33-06	1	Cable, Battery Positive
28	575 24 27-01	1	Bracket, Carbon Canister
29	588 83 94-01	2	J Hook
30	539 11 12-29	1	Screw 1/4-20 x 5/8 Button Socket
31	532 14 18-41	2	Screw 10-16 x .65
32	586 93 60-01	2	Screw #10-24 x 1/2 Socket Head
33	817 49 04-08	2	Screw 1/4-20 x 1/2
34	545 22 71-01	2	Screw 6-19 x 7/16 Pan Head
35	872 14 05-06	2	Bolt 5/16-18 x 3/4 Round Head Square Neck
36	539 10 83-92	2	Bolt 5/16-18 x 5/8 Hex Head
37	539 99 06-45	2	Bolt 3/8-16 x 1 Round Head Square Neck
38	873 80 04-00	5	Nut 1/4-20 Hex Nyloc
39	539 11 28-99	4	Nut 5/16-18 Flange Nyloc
40	521 99 65-01	2	Nut 3/8-16 Hex Flange Nyloc
	NOT SHOWN		
	586 33 73-01	1	Harness, Wiring
	532 10 97-48	1	Relay 40A

BRAKE / LIFT



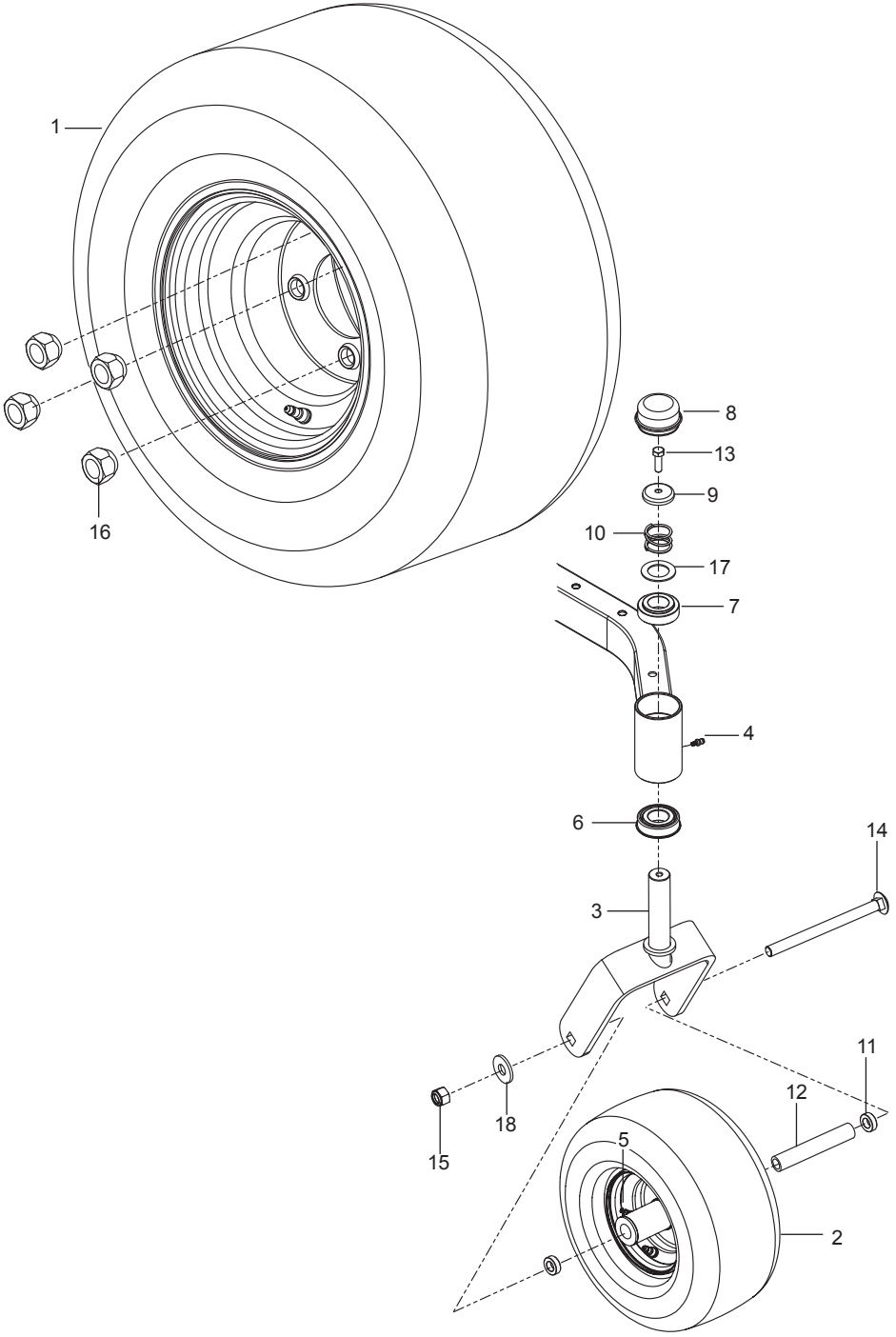
Ref.	Part No.	Qty	Description
1	587 62 31-01	1	Assembly, Shaft w/ Nuts, E-Rings
2	586 45 71-01	1	Link, Brake Left
3	586 45 72-01	1	Link, Brake Right
4	587 62 29-01	1	Assembly, Lift Handle
5	580 48 61-01	2	Spacer
6	585 68 21-01	2	Bracket, Bellcrank
7	532 19 51-85	2	Arm, Suspension
8	587 62 30-01	2	Assembly, Centering Lnk
9	532 44 50-60	1	Grip, Handle
10	586 86 76-01	1	Spring
11	532 19 63-14	1	Spring
12	532 19 42-09	1	Clip
13	587 22 53-01	6	Clip
14	510 18 49-01	2	Nut, Plastic
15	585 70 14-01	2	Pin 1/2 Clevis
16	585 68 20-01	2	Pushrod
17	586 45 74-01	1	Bellcrank Left
18	586 45 75-01	1	Bellcrank Right
19	586 56 13-01	2	Screw 1/4-20 x 2-1/4 Thread Roll
20	532 13 77-29	2	Screw 1/4-20 x 5/8 Thread Roll

HYDRAULIC PUMP-MOTOR



Ref.	Part No.	Qty	Description
1	510 37 56-01	1	EZT, Left
2	510 37 56-02	1	EZT, Right
3	574 03 05-01	1	Rod, EZT Brake Left
4	574 03 05-02	1	Rod, EZT Brake Right
5	539 11 04-11	1	Belt, EZT
6	585 47 44-01	1	Rod, Bypass Left
7	585 47 45-01	1	Rod, Bypass Right
8	586 66 51-01	2	Spring, Bypass
9	539 11 03-42	2	Spring, Brake Rod
10	539 12 00-80	2	Cog, Brake Disc
11	539 12 00-79	2	Assembly Kit, Brake Arm
12	575 50 70-01	1	Assembly Kit, Hub w/ Nuts
13	501 40 36-02	2	Assembly Kit, Blade, Pulley
14	510 18 41-04	2	Spacer Tube
15	580 80 65-02	2	Support, EZT Front
16	580 80 66-02	2	Mount, EZT Rear Black
17	587 22 53-01	1	Clip
18	539 97 69-88	4	Clip
19	587 11 53-01	1	Pin, Clevis
20	874 78 05-44	4	Bolt 5/16-18 x 2-3/4
21	874 78 05-12	2	Bolt 5/16-18 x 3/4
22	874 78 05-36	2	Bolt 5/16-18 x 2-1/4
23	874 78 06-40	4	Bolt 3/8-16 x 2-1/2
24	873 80 05-00	8	Nut 5/16-18 Hex Nyloc
25	873 80 04-00	2	Nut 1/4-20 Hex Nyloc
26	819 11 11-16	16	Washer 5/16 SAE Flat
27	810 03 06-00	4	Washer 3/8 Splt Lock
28	819 13 13-16	8	Washer 3/8 SAE Flat
29	819 09 10-16	4	Washer 1/4 SAE Flat

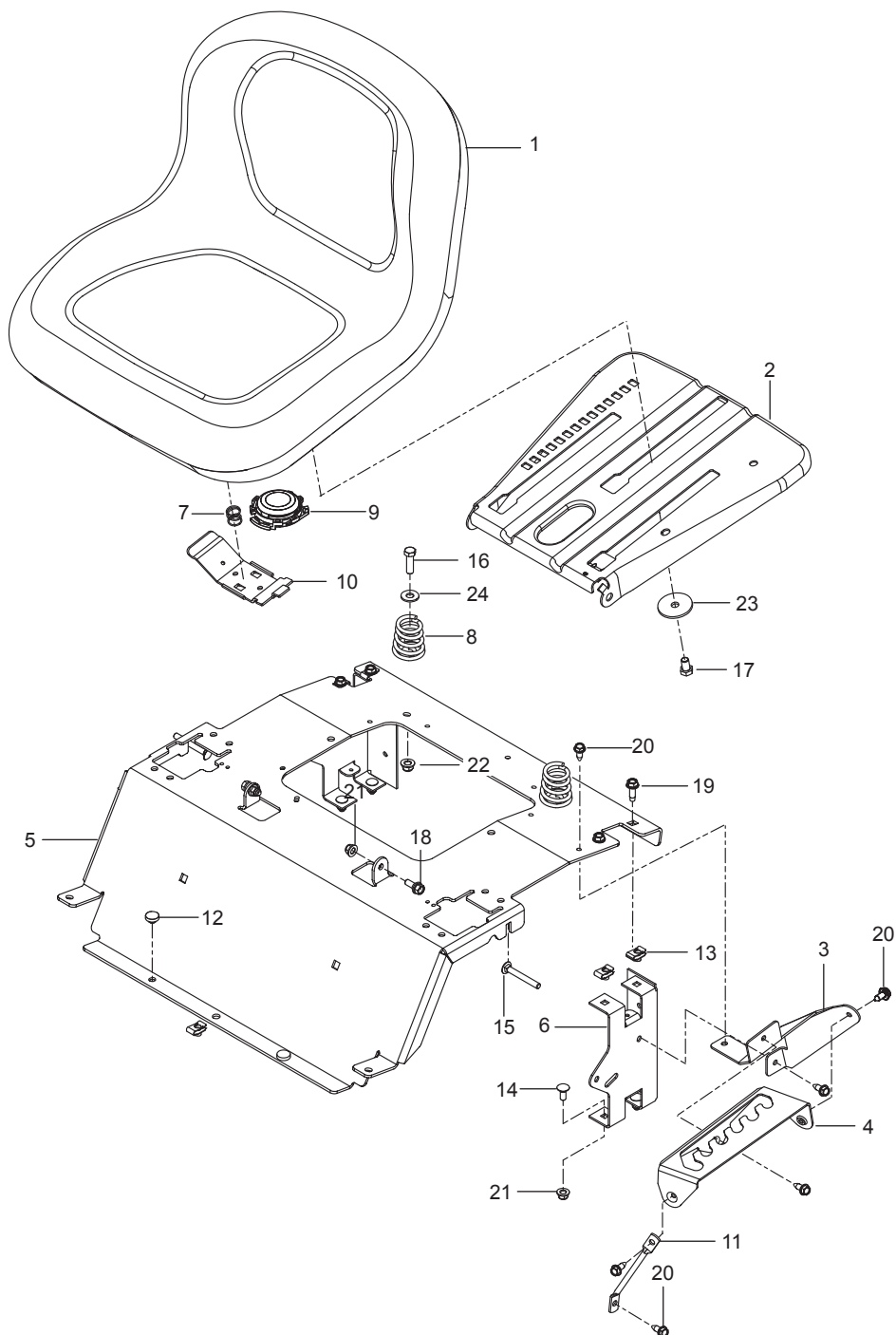
WHEELS & TIRES



Ref.	Part No.	Qty	Description
1	579 75 34-01	2	Assy, Wheel Rear 18 x 9.5
2	581 19 97-01	2	Wheel Assy Caster 11 x 4.5
3	510 18 65-01	2	Yoke Orange
4	539 11 56-38	2	Zerk 3/16 Drive
5	539 10 33-00	2	Zerk
6	539 11 26-60	2	Bearing, Flanged
7	539 11 79-01	2	Bushing, Caster
8	539 10 25-35	2	Grease Cap
9	539 11 57-49	2	Plug, Caster
10	539 11 57-47	2	Spring, Caster
11	581 26 92-01	2	Spacer 5/16
12	576 58 89-01	2	Spacer, Split
13	874 95 05-16	2	Bolt, Hex 5/16-18 x 1 Nyloc
14	721 40 81-04	2	Bolt 1/2-13 x 6-1/2 Round Head Square Neck
15	873 93 08-00	2	Nut 1/2-13 Hex Center Lock
16	539 10 11-73	8	Nut 1/2 Lug
17	539 11 56-75	2	Washer
18	819 18 22-12	2	Washer 9/16

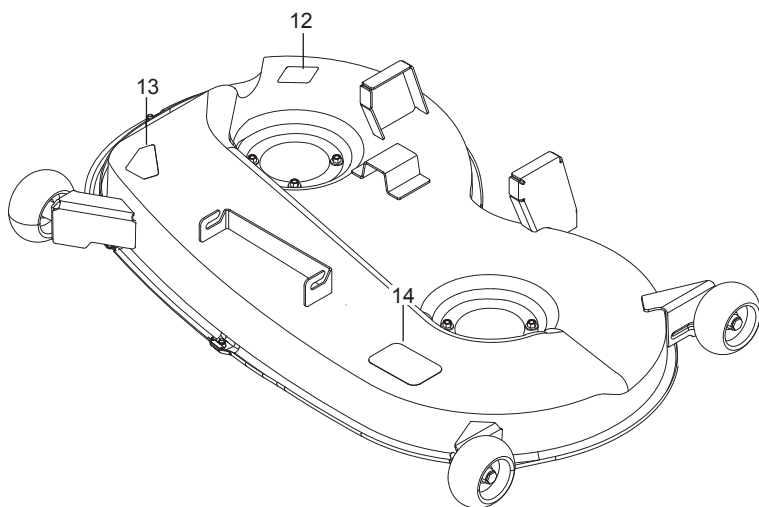
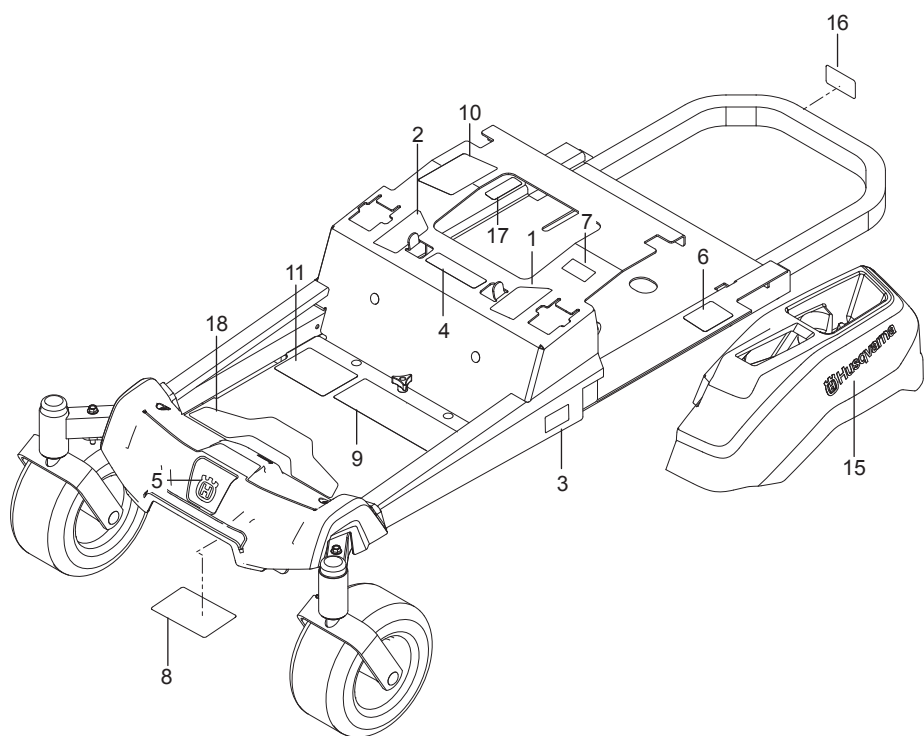
Ref.	Part No.	Qty	Description
1	522 74 43-01	1	Deck w/ Safety Decals Orange
2	539 11 72-45	1	Belt, Deck
3	532 40 53-80	2	Blade, Hi-Lift
4	532 40 55-06	1	Shield, Belt Right Black
5	532 40 55-07	1	Shield, Belt Left Black
6	532 17 48-73	3	Wheel, Gauge
7	522 62 97-01	1	Keeper, Belt
8	532 19 61-04	1	Pulley, Idler
9	539 13 27-28	1	Pulley, Idler
10	539 11 39-62	2	Pulley, Deck
11	588 09 65-01	1	Spring, Deck Belt
12	532 17 81-02	1	Spring, Torsion
13	539 11 87-62	1	Spring
14	532 41 64-05	1	Coupling, Connect
15	532 41 55-98	1	Port, Washout
16	532 40 31-49	1	Baffle, Front
17	532 40 31-50	1	Baffle, Front Right
18	532 19 25-57	1	Bracket, Deflector
19	532 40 53-57	1	Shield, Deflector
20	587 12 52-01	2	Mandrel
21	539 11 20-76	1	Bushing, Idler
22	585 32 39-01	1	Bearing
23	587 25 56-01	1	Shaft
24	532 13 14-91	1	Rod, Hinge
25	588 09 64-02	1	Arm, Idler
26	501 06 35-02	1	Plate Front
27	585 31 78-05	1	Plate, Side
28	539 11 55-74	1	Eyebolt 5/16 x 3-1/2
29	532 19 51-61	2	Stud w/ Anti- Rotate
30	532 19 34-06	3	Bolt 3/8-16 x 3-5/8 Shoulder
31	539 11 36-21	2	Bolt 3/8-16 x 3/8 Shoulder
32	584 30 93-01	2	Bolt, Washer
33	872 11 06-18	1	Bolt 3/8-16 x 2-1/4 Round Head Square Neck
34	872 14 05-06	6	Bolt 5/16-18 x 3/4 Round Head Square Neck
35	874 78 07-40	1	Bolt 7/16-14 x 2-1/2 Hex Head
36	874 78 05-20	1	Bolt 5/16-18 x 1-1/4 Hex Head
37	539 99 10-34	1	Screw 10-24 x 5/8 Washer Head
38	584 95 39-01	8	Bolt 5/16-18 Washer Head
39	532 13 77-29	4	Screw 1/4-20 x 5/8 Thread Roll
40	578 29 64-04	6	Screw 1/4-20 Button Head
41	532 11 04-52	1	Pushnut
42	539 99 05-85	2	Nut 5/16-18 Hex Whiz Lock
43	539 20 02-82	3	Nut 3/8-16 Hex Jam Nyloc
44	532 40 02-34	2	Nut 9/16 Top Center Lock
45	873 90 07-00	1	Nut 7/16-14 Hex Nyloc
46	873 90 06-00	3	Nut 3/8-16 Flange Lock
47	539 11 28-99	3	Nut 5/16-18 Hex Flange Nyloc
48	873 80 05-00	8	Nut 5/16-18 Hex Nyloc
49	873 90 04-00	6	Nut 1/4-20 Hex Flange
50	819 21 21-13	2	Washer 5/8 SAE Flat
51	819 13 20-12	3	Washer 12 Gauge
52	539 10 95-62	2	Washer 3/8
53	539 10 48-64	1	Washer 7/16

SEAT



Ref.	Part No.	Qty	Description
1	532 43 98-22	1	Seat
2	532 19 69-77	1	Pan, Seat Black
3	586 22 08-02	1	Plate, Lift Support
4	586 22 12-02	1	Plate, Deck Lift
5	577 26 05-03	1	Support, Seat Orange
6	580 30 82-02	2	Support, Seat Rear Black
7	532 19 82-00	1	Spring, Latch
8	587 61 33-01	2	Spring, Seat
9	532 40 15-45	1	Switch, Seat
10	532 19 76-61	1	Handle, Slide
11	586 42 86-01	1	Leg, Support
12	585 98 93-01	2	Grommet, Bumper
13	539 10 47-63	5	Retainer, U Type
14	872 14 05-06	4	Bolt 5/16-18 x 3/4 Round Head Square Neck
15	510 42 27-01	2	Bolt 5/16-18 x 2-1/2 Round Head Square Neck
16	874 78 06-20	2	Bolt 3/8-16 x 1-1/4
17	874 78 06-10	1	Bolt 3/8-16 x 5/8
18	539 11 03-03	2	Bolt 5/16-18 Shoulder
19	817 49 05-12	4	Screw 5/16-18 x 3/4 Thread Form
20	817 00 05-10	6	Screw 5/16-18 x 5/8 Washer Head
21	539 11 28-99	4	Nut 5/16-18 Hex Flange Nyloc
22	521 99 65-01	2	Nut 3/8-16 Hex Flange Nyloc
23	539 11 18-97	1	Washer 3/8 Special
24	819 14 16-14	2	Washer 3/8 Std Flat
NOT SHOWN - OPTIONAL			
	532 42 14-99	1	Kit, Arm Rest

DECALS



Ref.	Part No.	Qty	Description
1	587 59 56-01	1	Decal, Steer / Brake Left
2	587 59 55-01	1	Decal, Steer / Brake Right
3	587 21 93-01	2	Decal, Z 246
4	539 10 57-45	1	Decal, Battery Warning
5	532 42 86-77	1	Decal, Crown
6	539 10 83-85	1	Decal, Do Not Tow
7	539 10 83-86	1	Decal, Exit Mower
8	539 10 98-97	1	Decal, Service
9	583 93 40-01	1	Decal, Safety Warnings
10	539 11 05-22	1	Decal, Responsibility
11	588 03 50-01	1	Decal, Start
12	581 72 44-01	1	Decal, Deflector
13	584 90 46-01	1	Decal, Blade Danger
14	510 24 02-01	1	Decal, Belt Routing
15	577 46 90-01	2	Decal, Husqvarna
16	539 10 18-81	2	Decal, Exhaust Warning
17	532 42 41-02	2	Decal, Spark Arrestor
18	587 00 07-01	1	Pad, Abrasive

www.husqvarna.com

115 84 93-27 Rev C
2016-11-15