



Parts Manual

Zero Turn Mower / Z 254

967324301-00

Please read the operator manual carefully and make sure you understand the instructions before using the machine.



When you need spare parts or support in service questions, warranty issues, etc., please consult the following professional:

This manual belongs to the machine with the manufacturing number:	Engine	Transmission

Manufacturing Number

The machine's manufacturing number can be found on the printed plate affixed to the engine compartment.

Stated on the plate, from the top are:

- The machine's type designation (I.D.).
- The manufacturer's type number (Model).
- The machine's serial number (Serial no.)

Please have the type designation and serial number available when ordering spare parts.

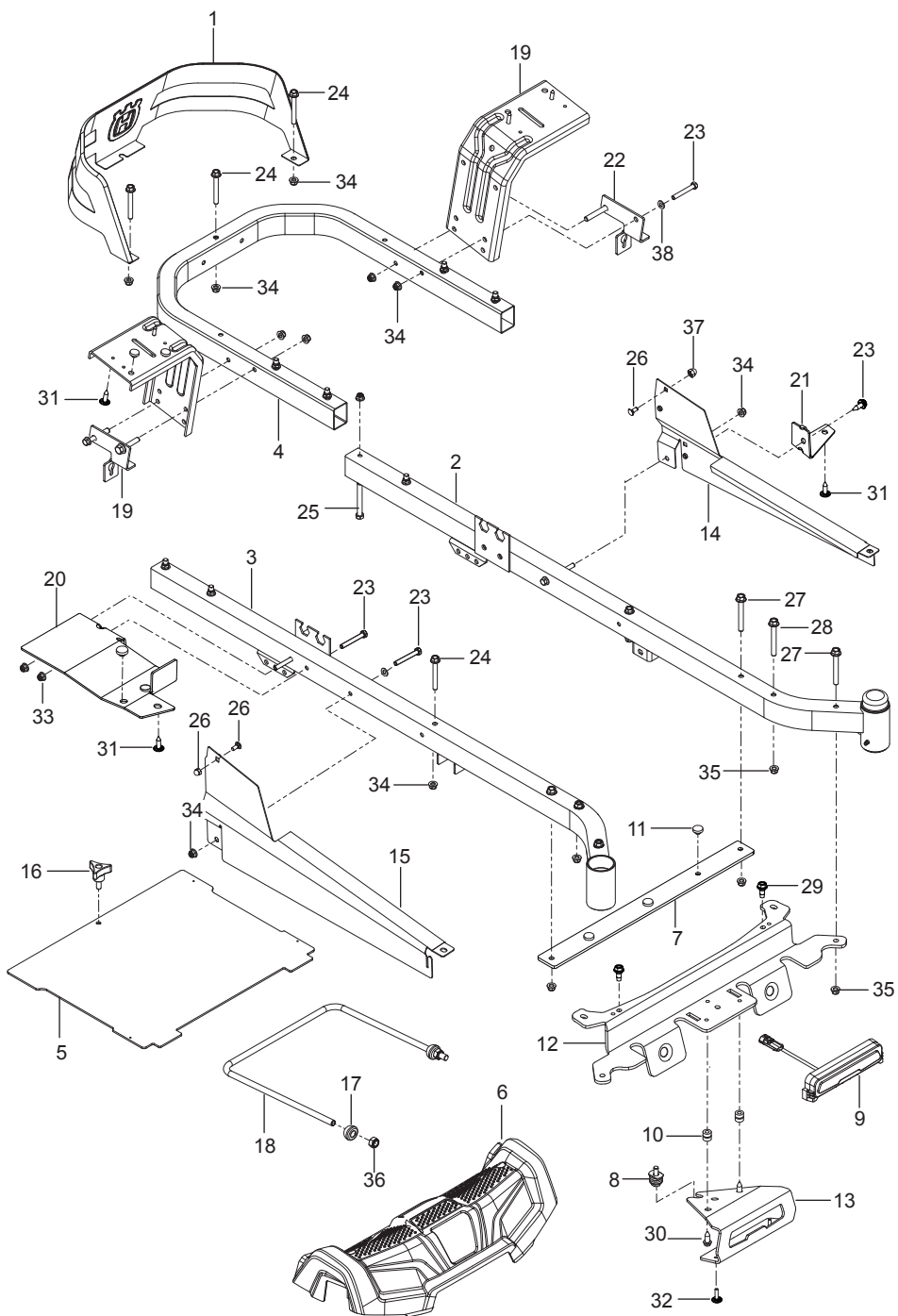
CONTENTS

FRAME	4
ENGINE MOUNTING, GUARDS & MUFFLER	6
STEERING	8
IGNITION SYSTEM.....	10
BRAKE / LIFT	12
HYDRAULIC PUMP-MOTOR.....	14
WHEELS & TIRES	16
MOWER DECK / CUTTING DECK	18
SEAT	20
DECALS	22

Illustrations may or may not represent the actual assemblies and it is not recommended to use this manual as a guide to assemble or disassemble the mower.

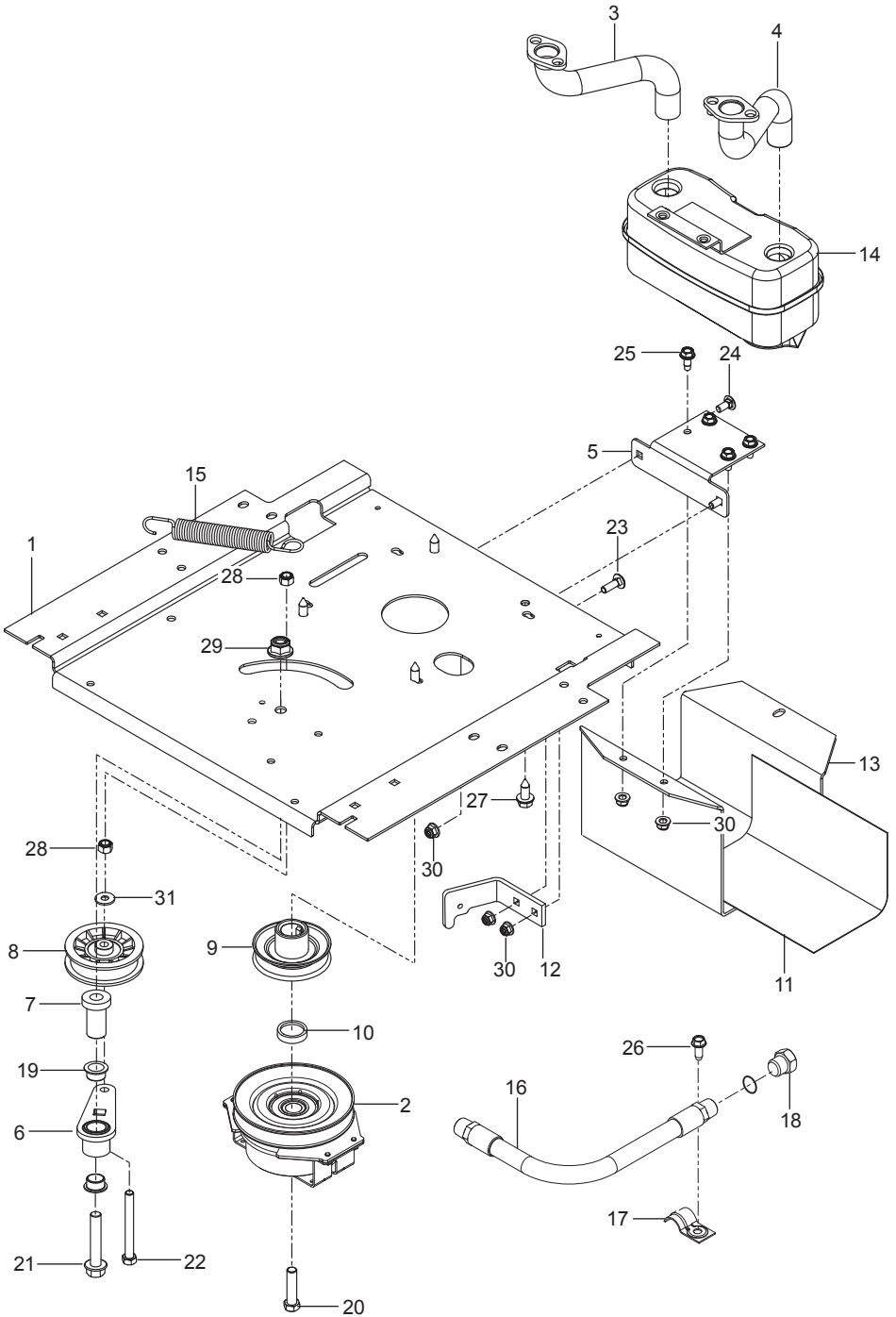
NOTE: All fasteners are Grade 5 unless otherwise specified.

FRAME



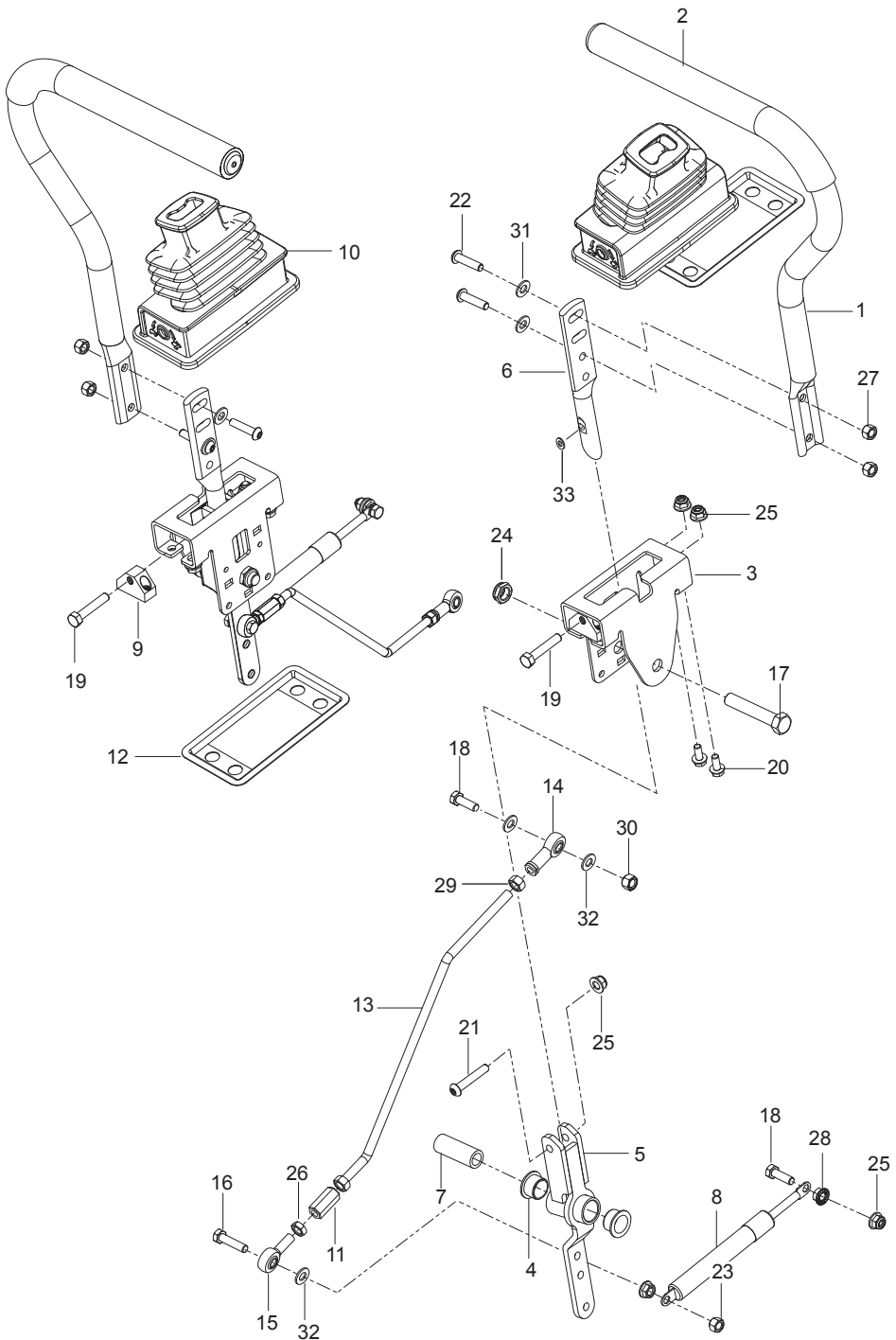
Ref.	Part No.	Qty	Description
1	585 03 98-02	1	Guard, Rear Blk
2	510 17 75-03	1	Frame, Front Right Org
3	510 17 74-03	1	Frame, Front Left Org
4	584 99 10-02	1	Frame, Rear Tube Org
5	522 84 29-02	1	Foot Plate w/ Safety Decal
6	585 52 24-01	1	Cover, Footrest
7	585 52 30-04	1	Support, Footrest
8	587 54 69-01	1	Assembly, Isolator Tap
9	585 91 67-01	1	Assembly, Led Light
10	587 22 52-01	2	Grommet, Push
11	585 98 93-01	7	Grommet, Bumper
12	585 52 31-04	1	Cross Member
13	587 45 86-02	1	Bracket, Light
14	585 33 16-02	1	Cover, Rail Right
15	585 33 15-02	1	Cover, Rail Left
16	539 10 44-11	1	Knob w/ Stud
17	532 19 52-63	2	Bushing, Pivot
18	521 93 81-01	1	Link, Front Suspension
19	580 50 13-02	2	Support, Fender Blk
20	585 52 34-04	1	Support, Console Right
21	585 52 36-04	1	Support, Console Left
22	585 47 43-02	2	Bracket, Bypass Rod
23	874 78 05-36	7	Bolt 5/16-18 x 2-1/4
24	874 49 05-44	5	Bolt 5/16-18 x 2-3/4
25	874 78 06-48	8	Bolt 3/8-16 x 3
26	585 94 00-01	2	Bolt 5/16-18 x 1 Carriage
27	577 11 77-01	4	Bolt 3/8-16 x 3
28	586 65 43-01	2	Bolt 3/8-16 x 3 Shoulder
29	586 88 11-01	2	Bolt 5/16-18 Shoulder
30	817 58 52-00	2	Screw 5/16-18 x 1-1/4 Washer Head
31	532 41 63-58	6	Screw #10-24 x 3/4 Hex Head
32	532 42 17-56	2	Screw #10 x 1/2
33	873 90 05-00	2	Nut 5/16-18 Hex Flange Lock
34	539 11 28-99	9	Nut 5/16-18 Hex Flange Nyloc
35	521 99 65-01	8	Nut 3/8-16 Hex Flange Nyloc
36	539 11 91-24	2	Nut 7/16-14 Hex Nyloc
37	585 93 81-01	2	Nut 5/16-18 Acorn
38	819 11 11-16	6	Washer 5/16 SAE Flat

ENGINE MOUNTING, GUARDS & MUFFLER



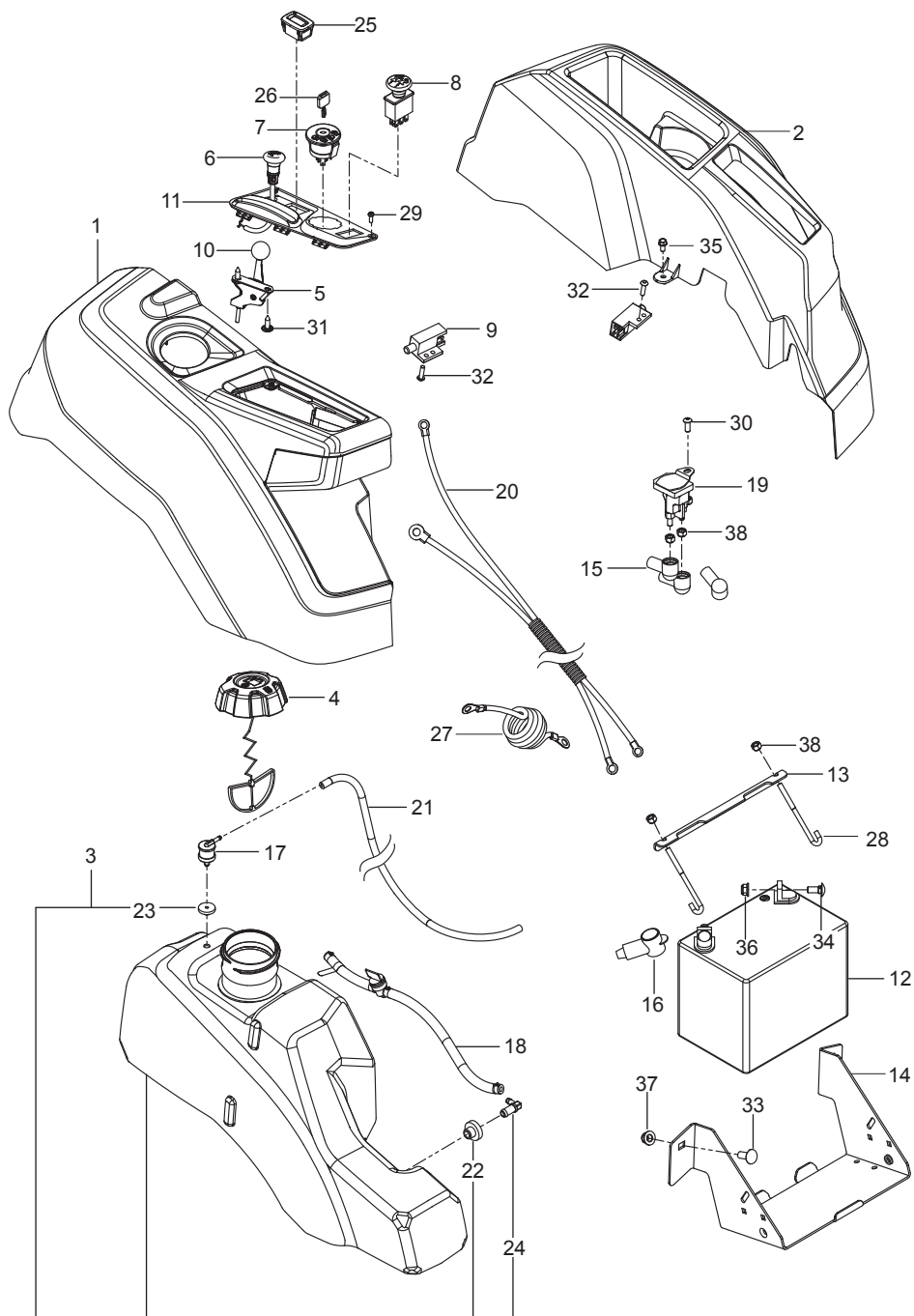
Ref.	Part No.	Qty	Description
1	588 01 71-02	1	Plate, Engine Blk
2	587 24 16-01	1	Clutch
3	583 95 48-01	1	Tube, Exhaust Right
4	583 95 45-01	1	Tube, Exhaust Left
5	581 88 67-02	1	Bracket, Muffler Blk
6	532 44 81-45	1	Arm, Idler
7	582 53 89-01	1	Spindle, Idler
8	539 11 03-11	1	Pulley, Idler
9	587 53 74-01	1	Pulley, Engine
10	587 66 01-01	1	Spacer
11	539 13 28-59	1	Shield, Muffler
12	587 63 33-02	1	Stop, Clutch Blk
13	587 45 12-02	1	Guard, Muffler Blk
14	539 13 16-04	1	Muffler Assembly
15	532 19 61-05	1	Spring, Deck Drive
16	584 82 55-01	2	Assy, Drain Hose
17	539 10 13-63	1	Clamp
18	585 80 71-01	1	Plug, Oil
19	501 60 37-01	2	Bearing, Flanged
20	581 33 28-04	1	Bolt 7/16-20 x 2-1/2 Hex Head
21	582 53 95-01	1	Bolt 1/2-13 x 2-3/4 Hex Flange Head
22	874 52 06-56	1	Bolt 3/8-16 x 3-1/2 Hex Head
23	872 14 05-08	2	Bolt 5/16-18 x 1 Round Head Square Neck
24	872 14 05-06	2	Bolt 5/16-18 x 3/4 Round Head Square Neck
25	817 49 05-12	4	Screw 5/16-18 x 3/4 Thread Form
26	817 49 04-10	1	Screw 1/4-20 X 5/8 Thread Form
27	817 12 06-16	4	Screw 3/8-16 x 1 Thread Form
28	539 97 69-79	2	Nut 3/8-16 Hex Nyloc
29	521 99 11-01	1	Nut 1/2-13 Hex Flange Nyloc
30	539 11 28-99	5	Nut 5/16-18 Hex Flange Nyloc
31	819 12 14-14	1	Washer 5/16 Std Flat
32	NOT SHOWN		
33	589 54 39-01	1	Idler Arm Kit
34	-----		Engine, Kohler KT745 26 HP For Engine Replacement Parts, See a Kohler Dealer

STEERING



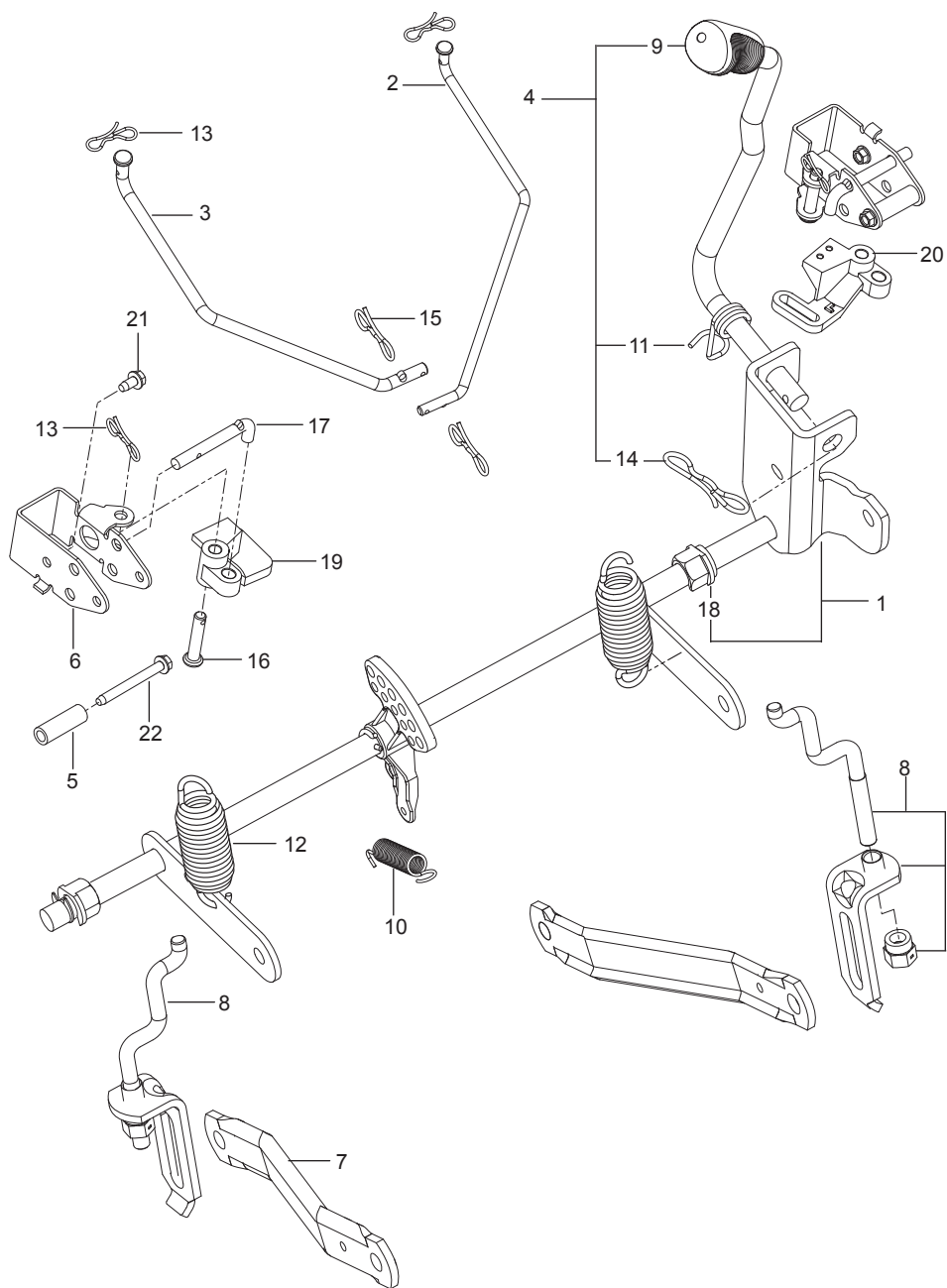
Ref.	Part No.	Qty	Description
1	581 82 67-03	2	Lever w/ Grip
2	525 39 29-01	2	Grip, Foam
3	585 12 47-05	2	Bracket, Control
4	539 13 15-18	4	Bearing, Flanged
5	576 14 03-01	2	Control, Lever
6	587 60 17-02	2	Lever, Handle
7	584 92 72-01	2	Spacer, Pivot Control
8	539 10 27-20	2	Dampener
9	581 43 75-01	2	Block, Tracking
10	585 83 16-01	2	Boot, Steering
11	539 11 66-89	2	Coupler, Rod End
12	585 48 82-02	2	Flange, Boot
13	580 62 42-01	2	Rod, Motion Control
14	539 11 57-29	2	Rod End Rh
15	588 69 25-02	2	Rod End Male Lh
16	874 78 05-28	2	Bolt 5/16-18 x 1-3/4 Tap Bolt
17	874 78 08-44	2	Bolt 1/2-13 x 2-3/4
18	874 78 05-16	4	Bolt 5/16-18 x 1 Thread Form
19	585 98 61-01	2	Bolt 5/16-18 x 1-1/4
20	874 49 05-12	8	Bolt Hex Flange 5/16-18 x 3/4
21	587 88 53-01	2	Screw 5/16-18 x 1-3/4 Button Head
22	585 98 59-01	4	Screw 5/16-18 x 1-1/4 Button Head Blk
23	873 80 05-00	2	Nut 5/16-18 Hex Nyloc
24	539 10 80-10	2	Nut 1/2-13 Hex Jam Nyloc Grade 2
25	539 11 28-99	12	Nut 5/16-18 Hex Flange Nyloc
26	873 70 05-00	2	Nut 5/16-24 Hex Jam Left Hand
27	585 98 60-01	4	Nut 5/16-18 Hex Nyloc Blk
28	539 99 05-85	4	Nut 5/16-18 Hex Whiz Lock
29	539 99 02-23	4	Nut 5/16-24 Hex
30	539 11 56-17	2	Nut 5/16-18 Thin Nyloc
31	586 30 91-01	4	Washer 5/16 SAE Flat Blk
32	819 11 11-16	6	Washer 5/16 SAE Flat
33	587 61 42-01	2	Washer 11/32

IGNITION SYSTEM



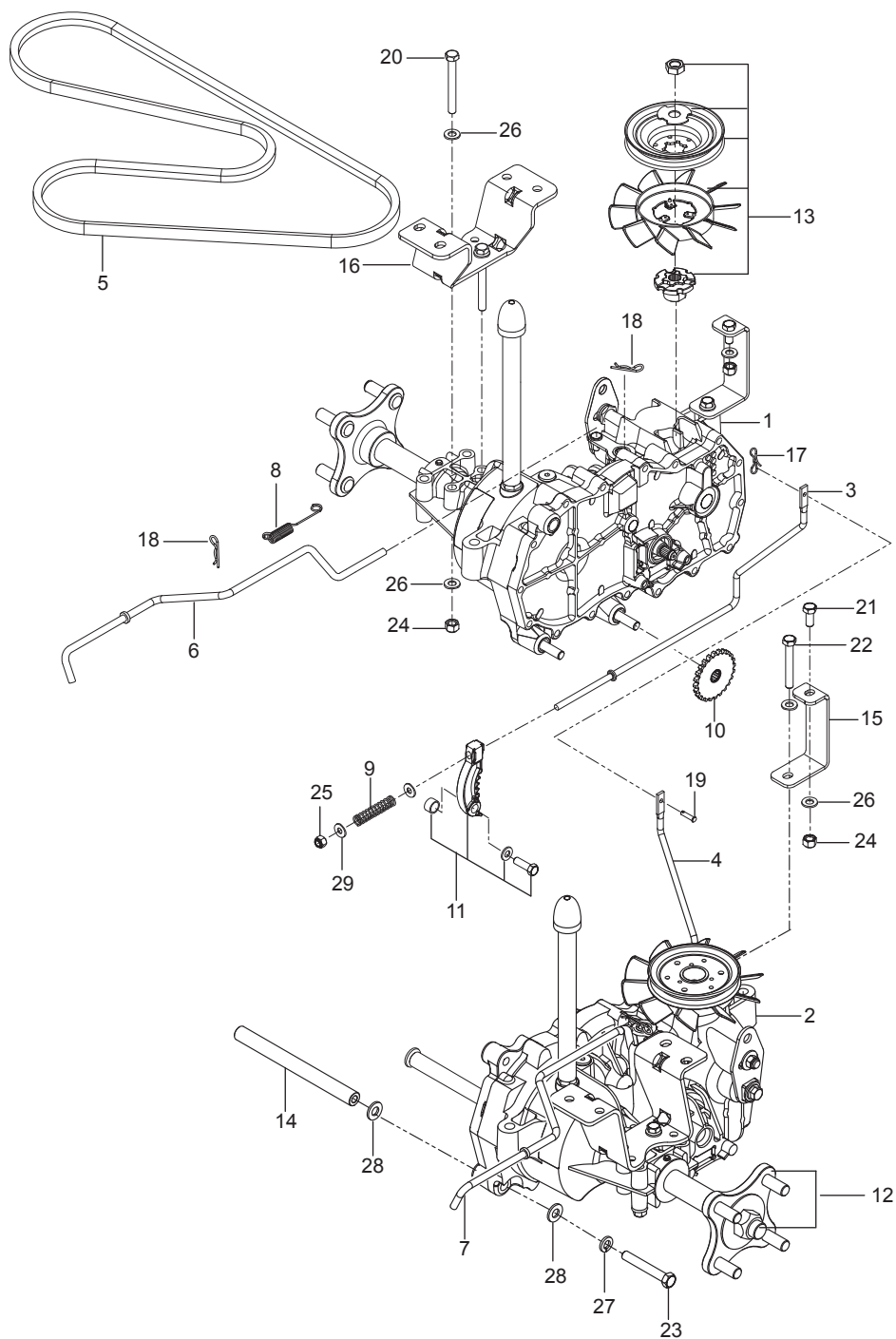
Ref.	Part No.	Qty	Description
1	585 52 28-01	1	Assembly, Fender, Right Gry
2	586 62 12 01	1	Assembly, Fender, Left Gry
3	578 18 06-02	1	Assembly, Fuel Tank
4	585 12 48-01	1	Cap, Fuel w/ Tether
5	539 10 27-32	1	Cable, Throttle
6	586 88 15-02	1	Control, Choke
7	539 10 75-41	1	Switch, Ignition
8	582 10 76-02	1	Switch, Clutch
9	587 60 15-01	2	Switch, Interlock
10	539 13 30-49	1	Knob
11	585 52 27-01	1	Panel, Control
12	579 41 16-01	1	Battery
13	510 03 00-03	1	Bracket, Battery
14	582 60 96-02	1	Box, Battery Blk
15	532 13 15-63	3	Terminal Cover
16	539 10 27-59	1	Terminal Cover
17	576 61 81-01	1	Valve, Fuel Check
18	586 12 39-04	1	Assembly, Fuel Line w/ Valve
19	582 04 28-01	1	Solenoid
20	587 19 86-01	1	Harness, Battery Cable
21	587 04 45-33	1	Hose 3/16 x 33" Vapor
22	532 00 36-45	1	Grommet, Rubber
23	532 43 74-92	1	Grommet, Check Valve
24	532 13 92-77	1	Elbow
25	586 16 18-01	1	Meter, Service
26	532 14 04-01	1	Key, Ignition
27	586 10 82-01	1	Cable, Battery Positive
28	588 83 94-01	2	J Hook
29	545 22 71-01	2	Screw 6-19 x 7/16 Pan Head
30	539 11 12-29	1	Screw 1/4-20 x 5/8 Button Socket
31	532 14 18-41	2	Screw 10-16 x .65
32	586 93 60-01	2	Screw #10-24 x 1/2 Socket Head
33	539 99 06-45	2	Bolt 3/8-16 x 1 Round Head Square Neck
34	872 14 05-06	2	Bolt 5/16-18 x 3/4 Round Head Square Neck
35	817 49 04-08	2	Bolt 1/4-20 x 1/2
36	539 11 28-99	2	Nut 5/16-18 Flange Nyloc
37	521 99 65-01	2	Nut 3/8-16 Hex Flange Nyloc
38	873 80 04-00	5	Nut 1/4-20 Hex Nyloc
	NOT SHOWN		
	586 33 73-01	1	Harness, Wiring
	586 54 81-01	1	Harness, LED Light
	532 10 97-48	1	Relay 40A

BRAKE / LIFT



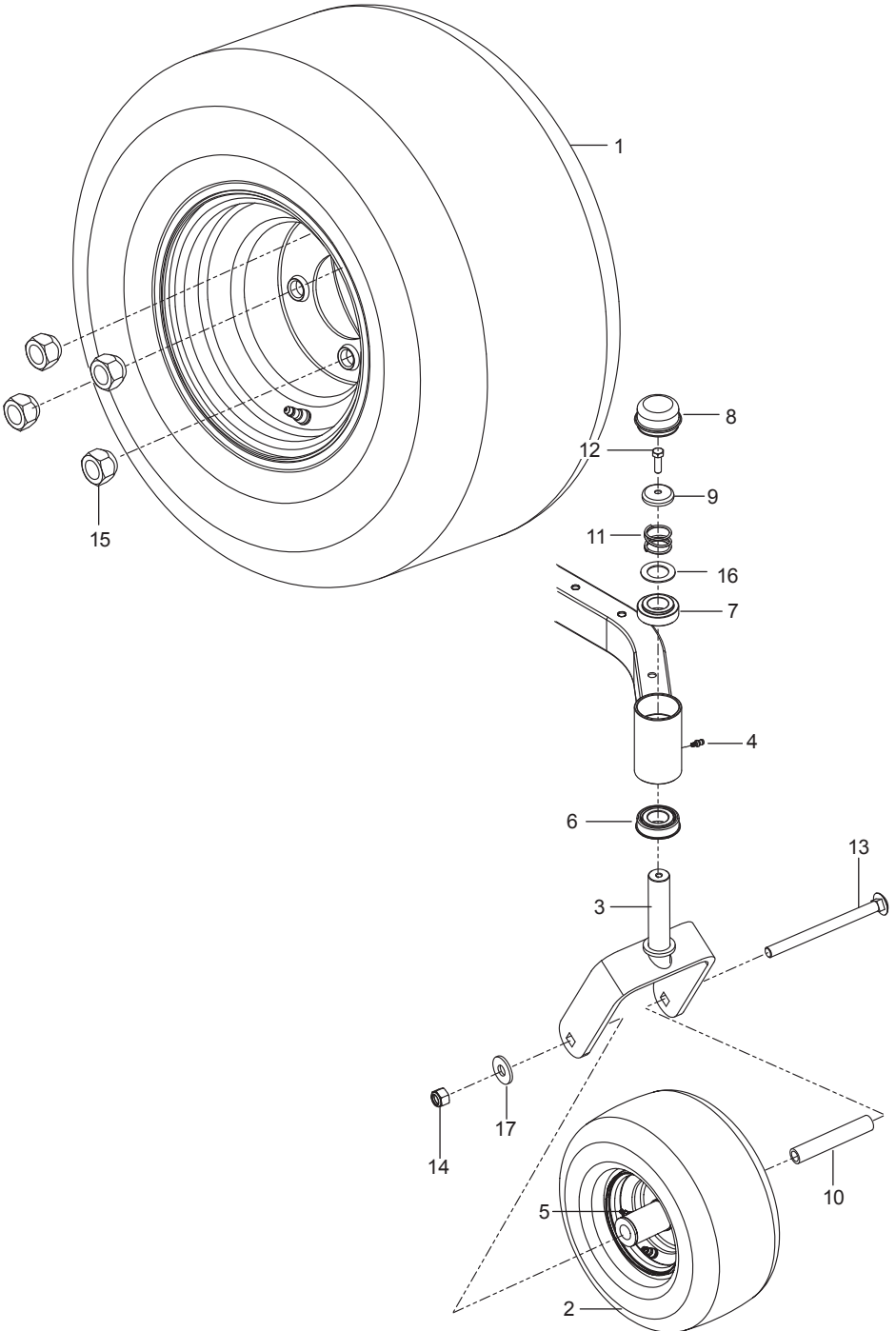
Ref.	Part No.	Qty	Description
1	587 62 31-01	1	Assembly, Shaft w/ Nuts, E-Rings
2	586 45 71-01	1	Link, Brake Left
3	586 45 72-01	1	Link, Brake Right
4	587 62 29-01	1	Assembly, Lift Handle
5	580 48 61-01	2	Spacer
6	585 68 21-01	2	Bracket, Bellcrank
7	532 19 51-85	2	Arm, Suspension
8	587 62 30-01	2	Assembly, Centering Lnk
9	532 44 50-60	1	Grip, Handle
10	586 86 76-01	1	Spring
11	532 19 63-14	1	Spring
12	539 11 87-62	2	Spring
13	587 22 53-01	4	Clip
14	532 19 42-09	1	Clip
15	532 19 42-08	2	Clip
16	585 70 14-01	2	Pin 1/2 Clevis
17	585 68 20-01	2	Pushrod
18	510 18 49-01	2	Nut, Plastic
19	586 45 75-01	1	Bellcrank Right
20	586 45 74-01	1	Bellcrank Left
21	532 13 77-29	2	Screw 1/4-20 x 5/8 Thread Roll
22	586 56 13-01	2	Screw 1/4-20 x 2-1/4 Thread Roll

HYDRAULIC PUMP-MOTOR



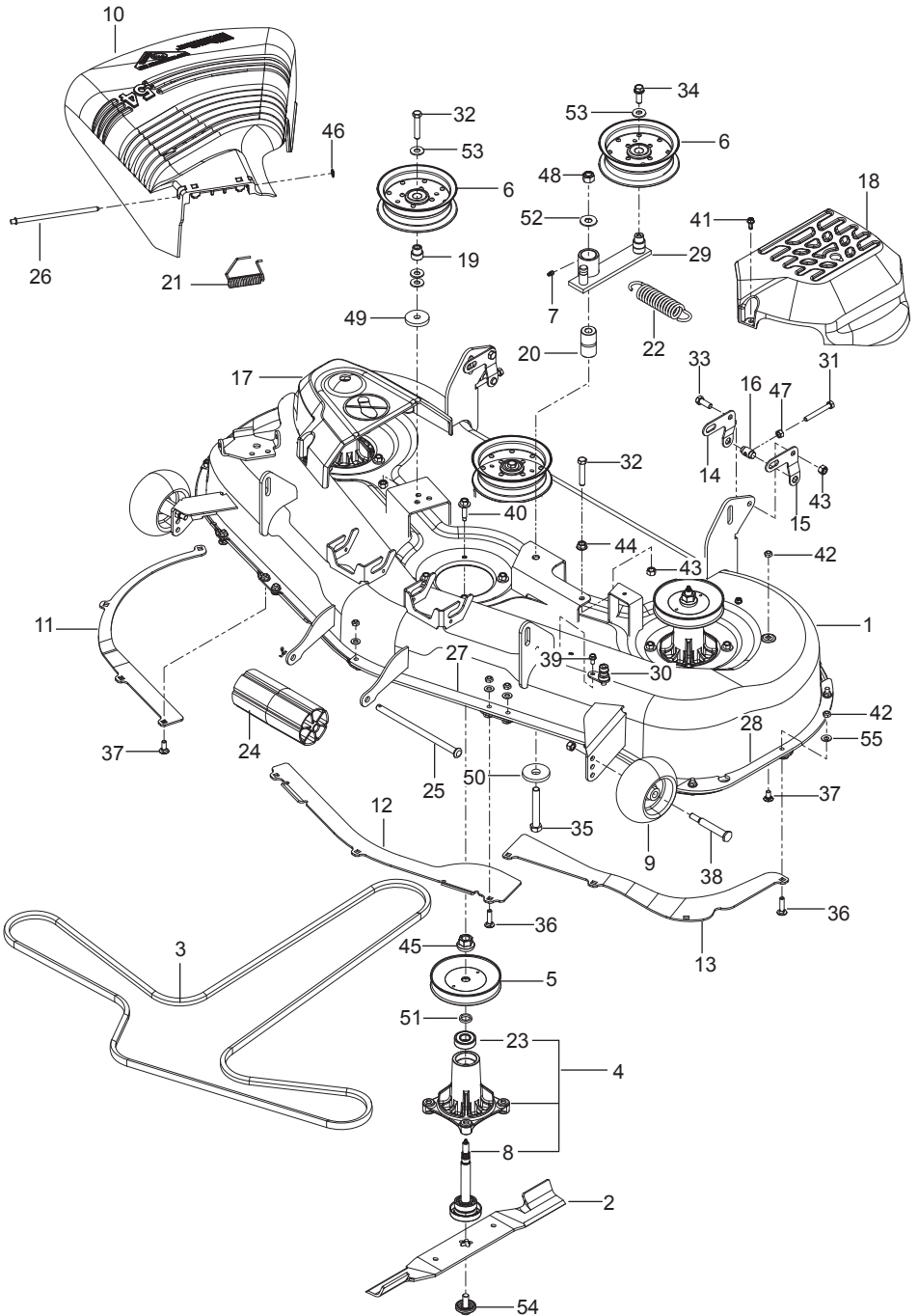
Ref.	Part No.	Qty	Description
1	510 37 56-01	1	EZT, Left
2	510 37 56-02	1	EZT, Right
3	574 03 05-01	1	Rod, EZT Brake Left
4	574 03 05-02	1	Rod, EZT Brake Right
5	539 11 04-11	1	Belt, EZT
6	585 47 44-01	1	Rod, Bypass Left
7	585 47 45-01	1	Rod, Bypass Right
8	586 66 51-01	2	Spring, Bypass
9	539 11 03-42	2	Spring, Brake Rod
10	539 12 00-80	2	Cog, Brake Disc
11	539 12 00-79	2	Assembly Kit, Brake Arm
12	575 50 70-01	1	Assembly Kit, Hub w/ Nuts
13	501 40 36-02	2	Assembly Kit, Blade, Pulley
14	510 18 41-04	2	Spacer Tube
15	580 80 65-02	2	Support, EZT Front
16	580 80 66-02	2	Mount, EZT Rear Blk
17	587 22 53-01	1	Clip
18	539 97 69-88	4	Clip
19	587 11 53-01	1	Pin, Clevis
20	874 78 05-44	4	Bolt 5/16-18 x 2-3/4
21	874 78 05-12	2	Bolt 5/16-18 x 3/4
22	874 78 05-36	2	Bolt 5/16-18 x 2-1/4
23	874 78 06-40	4	Bolt 3/8-16 x 2-1/2
24	873 80 05-00	8	Nut 5/16-18 Hex Nyloc
25	873 80 04-00	2	Nut 1/4-20 Hex Nyloc
26	819 11 11-16	16	Washer 5/16 SAE Flat
27	810 03 06-00	4	Washer 3/8 Splt Lock
28	819 13 13-16	8	Washer 3/8 SAE Flat
29	819 09 10-16	4	Washer 1/4 SAE Flat

WHEELS & TIRES



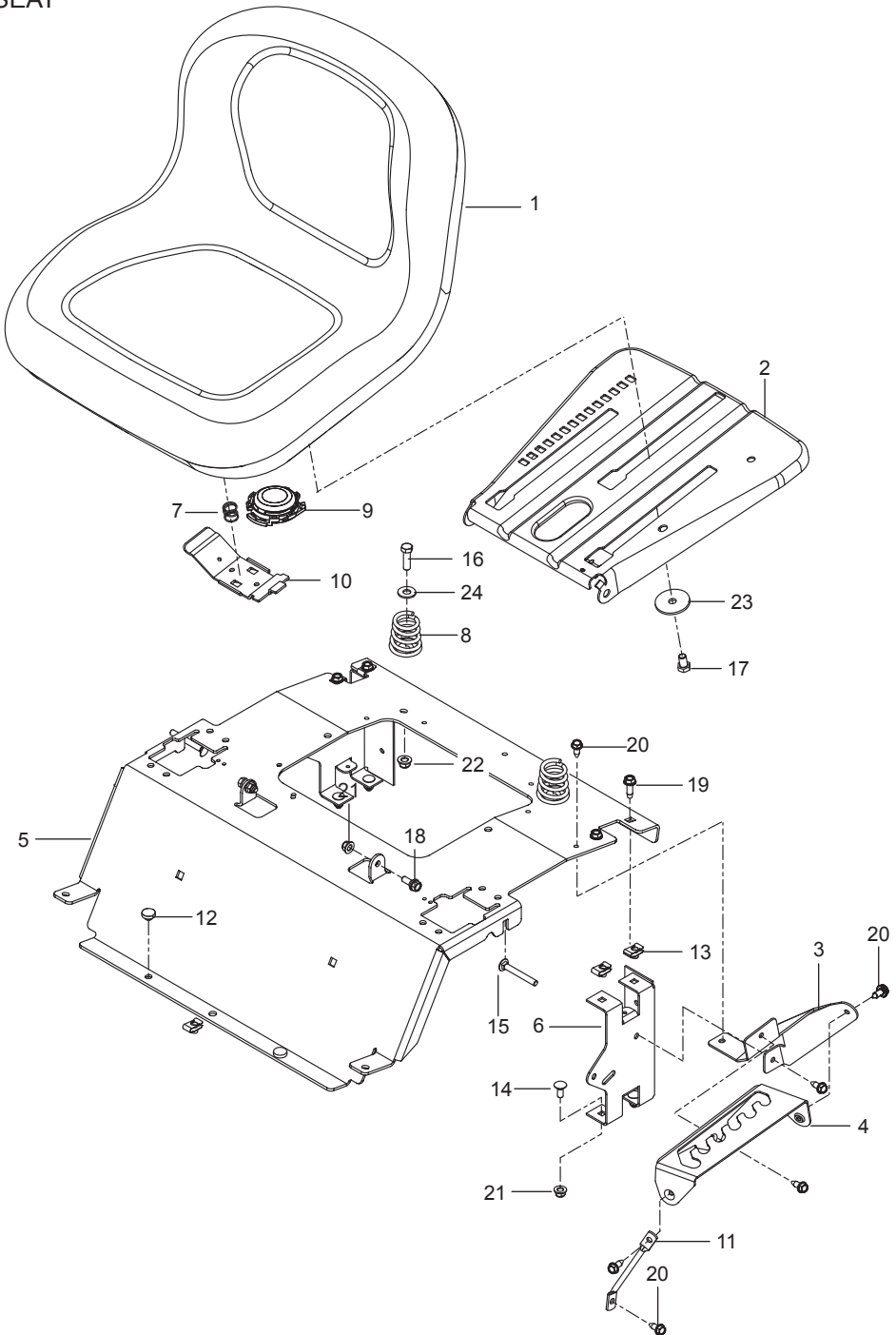
Ref.	Part No.	Qty	Description
1	579 75 34-01	2	Assembly, Wheel Rear 18 x 9.5
	582 74 65-01	2	Tire, Rear 18 x 9.5
2	576 58 86-02	2	Wheel Assembly Caster 11 x 6.5
3	586 65 03-02	2	Yoke Orange
4	539 11 56-38	2	Zerk 3/16 Drive
5	539 10 33-00	2	Zerk
6	539 11 26-60	2	Bearing, Flanged
7	539 11 79-01	2	Bushing, Caster
8	539 10 25-35	2	Grease Cap
9	539 11 57-49	2	Plug, Caster
10	585 99 54-01	2	Spacer, Pivot
11	539 11 57-47	2	Spring, Caster
12	874 95 05-16	2	Bolt, Hex 5/16-18 x 1 Nylon Patch
13	576 60 15-01	2	Bolt 1/2-13 x 7 Round Head Square Neck
14	873 93 08-00	2	Nut 1/2-13 Hex Center Lock
15	539 10 11-73	8	Nut 1/2 Lug
16	539 11 56-75	2	Washer
17	819 18 22-12	2	Washer 9/16

MOWER DECK / CUTTING DECK



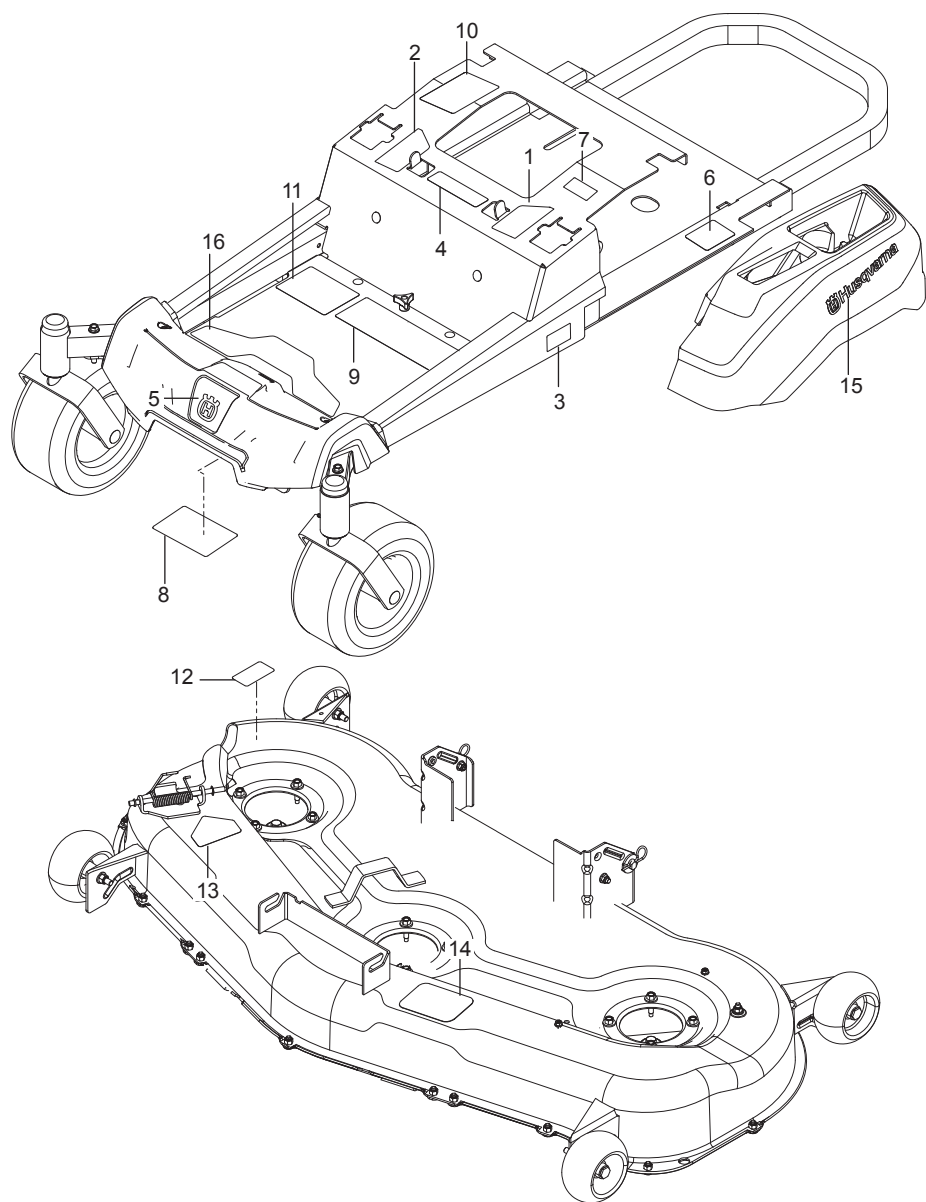
Ref.	Part No.	Qty	Description
1	522 74 44-01	1	Deck w/ Safety Decals Org
2	532 18 72-56	3	Blade
3	577 50 36-01	1	Belt
4	587 12 54-01	3	Mandrel Assy
5	532 17 34-36	3	Pulley
6	539 13 27-28	3	Pulley, Idler
7	539 97 69-98	1	Zerk
8	587 25 64-01	1	Shaft, Mandrel
9	532 13 39-57	2	Wheel
10	532 18 72-57	1	Deflector
11	532 18 73-42	1	Baffle Right
12	532 18 76-07	1	Baffle, Center
13	532 18 73-44	1	Baffle, Left
14	584 85 94-02	2	Bracket, Adjust Right
15	584 85 94-04	2	Bracket, Adjust Left
16	539 13 18-59	2	Trunnion, Pitch
17	532 18 81-87	1	Cover, Mandrel Right
18	532 18 72-97	1	Cover, Mandrel Left
19	539 11 20-76	2	Bushing, Idler
20	539 10 34-27	1	Bushing, Pivot
21	532 17 81-02	1	Spring, Torsion
22	539 10 32-56	1	Spring
23	585 32 39-01	1	Bearing, Ball
24	532 17 60-66	1	Roller, Nose
25	532 17 91-27	1	Rod, Roller
26	532 13 14-91	1	Rod, Hinge
27	585 32 26-05	1	Plate, Front
28	585 32 28-05	1	Plate, Side
29	539 11 21-98	1	Arm, Idler
30	532 41 55-98	1	Port, Washout
31	577 92 32-01	2	Bolt 5/16-18 x 3 Hex Head Self Tap
32	874 78 06-32	3	Bolt 3/8-16 x 2 Hex Head
33	539 99 05-63	2	Bolt 3/8-16 x 1 Hex Head
34	539 99 05-82	1	Bolt 3/8-16 x 1 Whiz Lock Hex Head
35	539 10 34-33	1	Bolt 1/2-13 x 3-1/4 Hex Head
36	539 10 04-72	7	Bolt 5/16-18 x 1-1/4 Round Head Square Neck
37	539 99 07-99	6	Bolt 5/16-18 x 5/8 Round Head Square Neck
38	532 19 34-06	2	Bolt 3/8-16 x 3-5/8 Shoulder
39	539 10 84-61	1	Bolt 1/4-20 x 1/2 Hex Head Self Tap
40	532 17 39-84	12	Screw 5/16-18 Washer Head
41	539 10 76-31	4	Screw 1/4 -20 x 5/16 Thread Roll
42	873 68 05-00	12	Nut 5/16-18 Crown Lock
43	539 97 69-79	7	Nut 3/8-16 Hex Nyloc
44	539 99 06-13	1	Nut 3/8-16 Hex Whiz Lock
45	532 40 02-34	3	Nut 9/16 Top Center Lock
46	539 10 76-26	1	Nut, Push
47	539 99 01-96	4	Nut 5/16-18 Hex
48	539 10 13-31	1	Nut 1/2 Hex Nyloc
49	539 10 65-04	2	Washer, Heavy
50	539 10 22-43	1	Washer, Support
51	532 18 76-90	3	Washer, Spacer
52	539 99 05-50	1	Washer 1/2 Std Flat
53	539 99 05-17	7	Washer 3/8 Std Flat
54	532 19 30-03	3	Washer/Bolt Assy
55	819 11 11-16	11	Washer 5/16 SAE Flat

SEAT



Ref.	Part No.	Qty	Description
1	532 43 98-22	1	Seat
2	532 19 69-77	1	Pan, Seat
3	586 22 08-02	1	Plate, Lift Support
4	586 22 12-02	1	Plate, Deck Lift
5	589 48 12-06	1	Support, Seat Org
6	580 30 82-02	2	Support, Seat Rear Blk
7	532 19 82-00	1	Spring, Latch
8	589 48 35-01	2	Spring, Seat
9	532 40 15-45	1	Switch, Seat
10	532 19 76-61	1	Handle, Slide
11	586 42 86-01	1	Leg, Support
12	585 98 93-01	2	Grommet, Bumper
13	539 10 47-63	5	Retainer, U Type
14	872 14 05-06	4	Bolt 5/16-18 x 3/4 Round Head Square Neck
15	510 42 27-01	2	Bolt 5/16-18 x 2-1/2 Round Head Square Neck
16	874 78 06-20	2	Bolt 3/8-16 x 1-1/4
17	874 78 06-10	1	Bolt 3/8-16 x 5/8
18	539 11 03-03	2	Bolt 5/16-18 Shoulder
19	817 49 05-12	4	Screw 5/16-18 x 3/4 Thread Form
20	817 00 05-10	6	Screw 5/16-18 x 5/8 Washer Head
21	539 11 28-99	4	Nut 5/16-18 Hex Flange Nyloc
22	521 99 65-01	2	Nut 3/8-16 Hex Flange Nyloc
23	539 11 18-97	1	Washer 3/8 Special
24	819 14 16-14	2	Washer 3/8 Std Flat
NOT SHOWN - OPTIONAL			
	532 42 14-99	1	Kit, Arm Rest

DECALS



Ref.	Part No.	Qty	Description
1	587 59 56-01	1	Decal, Steer / Brake Left
2	587 59 55-01	1	Decal, Steer / Brake Right
3	587 21 01-01	2	Decal, Z 254
4	539 10 57-45	1	Decal, Battery Warning
5	532 42 86-77	1	Decal, Crown
6	539 10 83-85	1	Decal, Do Not Tow
7	539 10 83-86	1	Decal, Exit Mower
8	539 10 98-97	1	Decal, Service
9	583 93 40-01	1	Decal, Safety Warnings
10	539 11 05-22	1	Decal, Responsibility
11	588 03 51-01	1	Decal, Start
12	581 72 44-01	1	Decal, Deflector
13	584 90 46-01	1	Decal, Blade Danger
14	539 11 26-20	1	Decal, Belt Routing
15	577 46 90-01	2	Decal, Husqvarna
16	587 00 07-01	1	Pad, Abrasive

www.husqvarna.com

115 72 92-27 Rev C
2016-11-15