

ILLUSTRATED PARTS LIST

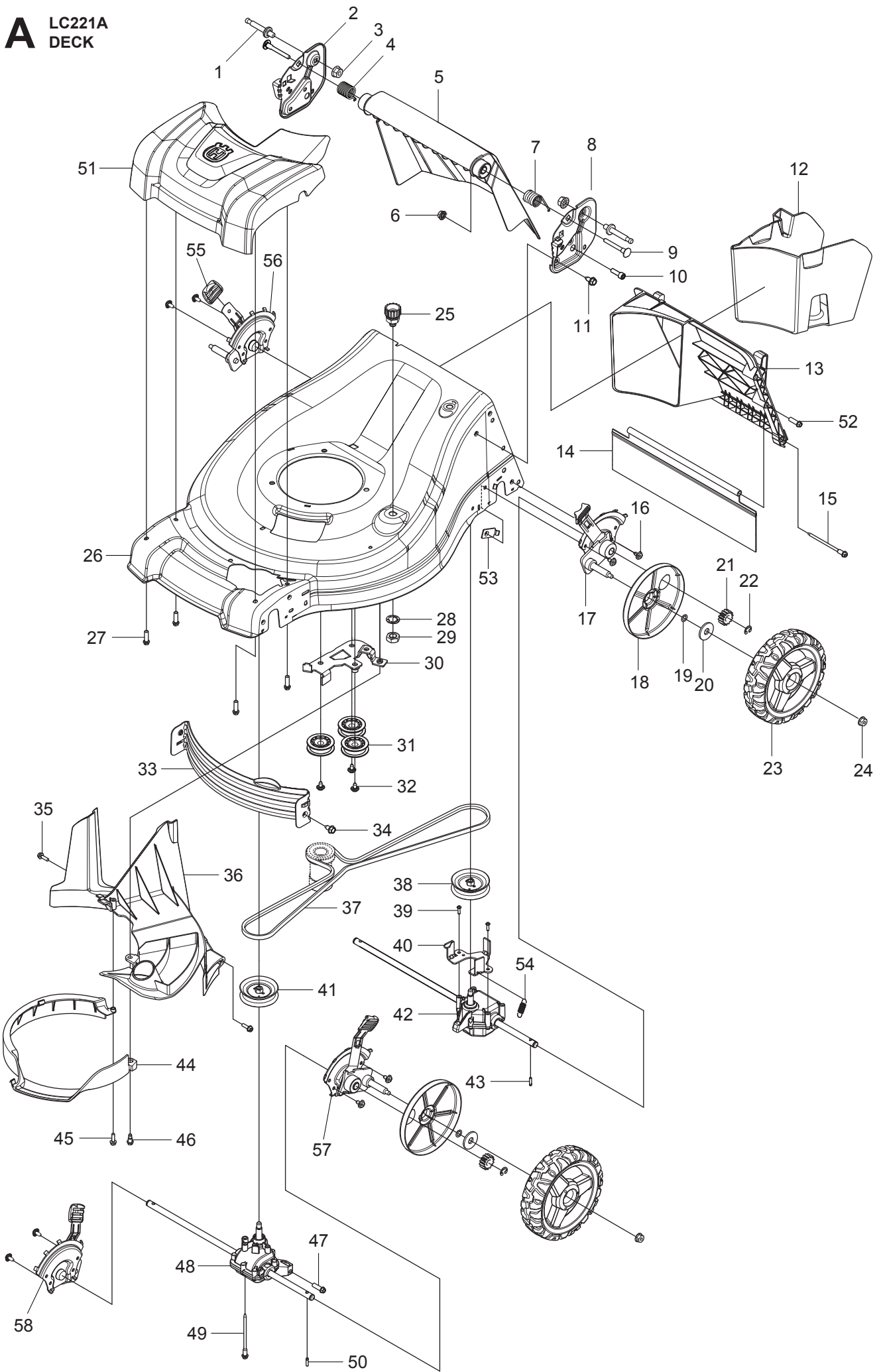
BRAND: HUSQVARNA

ROTARY LAWN MOWER

MODEL NUMBER: LC221A

MFG. ID. NUMBER: 96145002600

A LC221A
DECK

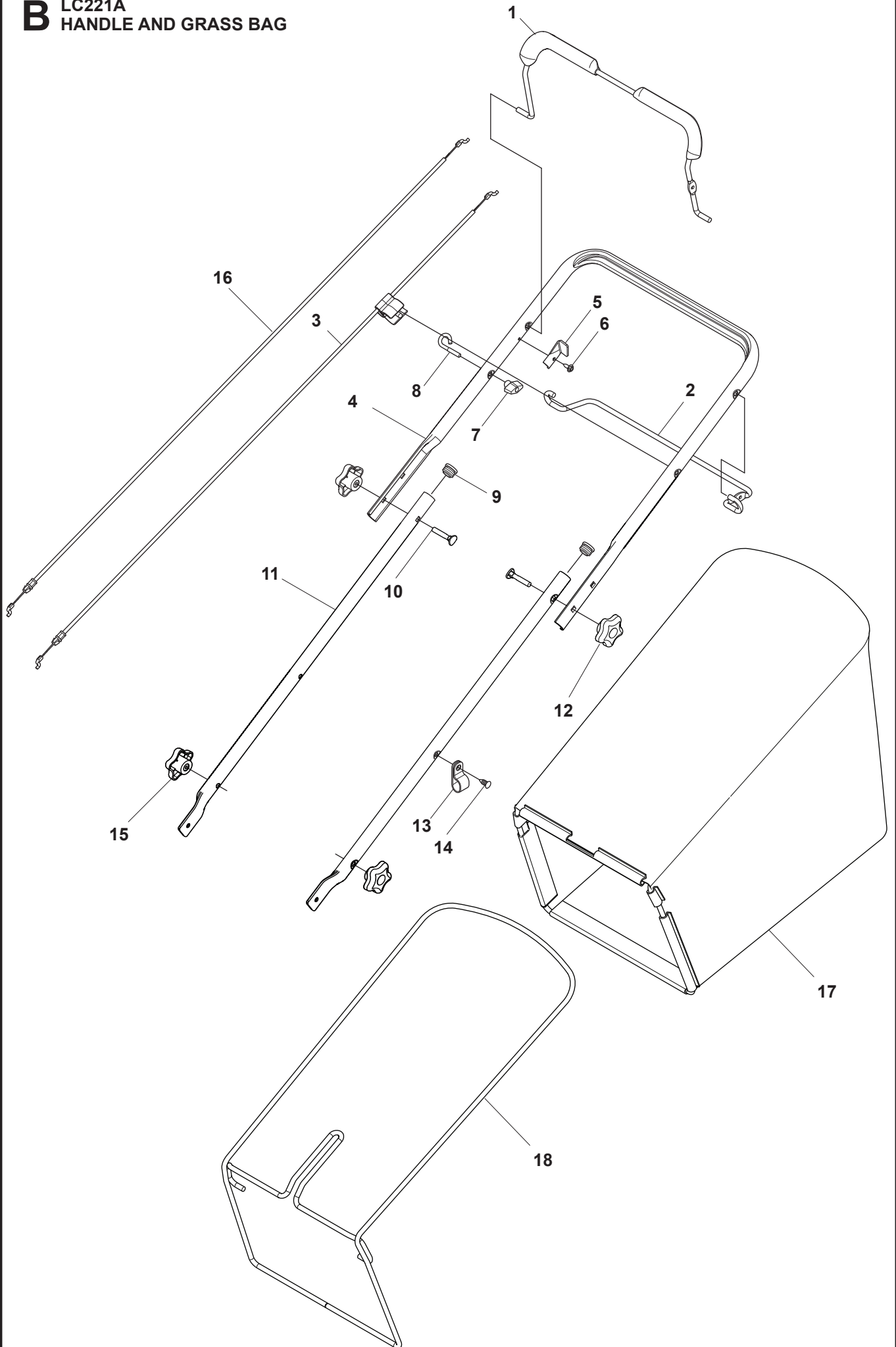


HUSQVARNA ROTARY LAWN MOWER – MODEL NUMBER LC221A

KEY NO.	PART NO.	DESCRIPTION	KEY NO.	PART NO.	DESCRIPTION
1	587015201	Bolt, Handle, Pivot, 5/16-18	50	404845	Pawl, Drive
2	589197802	Bracket, Adjustable Handle, Right	51	586713701	Cover, Drive, AWD, Husqvarna
3	587599901	Nut, Serrated Flange, 5/16-18	52	584299401	Screw, Hi-Lo, 5/16 X 1.00
4	587250601	Spring, Right, Door	53	587147301	Strap, Height Adjuster Bracket
5	586138001	Door, Rear	54	581351301	Spring, Return, Rear Transmission
6	413284	Nut, Flanged, 3/8-16	55	701037	Knob, Ergonomic
7	587249801	Spring, Left, Door	56	586920109	Adjuster, 4-Point, Right Rear
8	589197602	Bracket, Adjustable Handle, Left	57	586920109	Adjuster, 4-Point, Left Front
9	587198901	Bolt, Door, Pivot. 3/8-16	58	586920111	Adjuster, 4-Point, Right Front
10	587281101	Screw, Hi-Lo, 5/16-14 X T-45			
11	17000510	Bolt, Hex, 5/16			
12	586922701	Plug, Mulch			
13	586137501	Insert, Rear			
14	586698801	Skirt, Rear			
15	587438201	Screw, Hi-Lo, 5/16-14 X 4.10			
16	581127601	Screw, 1/4-20 Tri-lobe			
17	586920111	Adjuster, 4-Point, Left Rear			
18	581840401	Cover, Dust, Wheel			
19	197480	O Ring			
20	67725	Washer, 1/2 X 1-1/2 X .134			
21	404835	Pinion, 14 Tooth, AWD			
22	12000058	E-Ring, 7/16, RE-Style			
23	580365301	Wheel, 8 X 2, AWD			
24	409148	Nut, Lock, Hex Flange, 3/8-16			
25	419735	Washout Port, Blue			
26	586137402	Housing, 21" AWD, LC221A			
27	584299401	Screw, Hi-Lo, 5/16 X 1.00			
28	415585	Washer, Star			
29	415586	Nut, Hex			
30	587109803	Bracket, Idler, AWD			
31	587969201	Pulley, Idler			
32	581127601	Screw, 1/4-20 Tri-lobe			
33	586698601	Baffle, Front			
34	17000510	Bolt, Hex, 5/16			
35	587599801	Screw, Hi-Lo, 13-16 X.750			
36	586560401	Cover, Belt/Rear Baffle			
37	580364605	Belt, Drive, AWD			
38	586963001	Pulley, Transmission, AWD			
39	163409	Screw, 12 X 5/8, Hi/Lo Thread			
40	581152502	Belt keeper, Rear Transmission			
41	586963001	Pulley, Transmission, AWD			
42	586137601	Transmission, AWD, Rear			
43	404845	Pawl, Drive			
44	587081001	Ring, Stripper			
45	587599801	Screw, Hi-Lo, 13-16 X.750			
46	581726101	Bolt, Shoulder, 1/4-20 Tri-lobe			
47	584299401	Screw, Hi-Lo, 5/16 X 1.00			
48	586137801	Transmission, AWD, Front			
49	587438201	Screw, Hi-Lo, 5/16-14 X 4.10			

NOTE: All component dimensions given in U.S inches unless otherwise noted. 1 inch = 25.4 mm. IMPORTANT: Use only Original Equipment Manufacturer (O.E.M.) replacement parts. Failure to do so could be hazardous, damage your lawn mower and void your warranty.

B LC221A
HANDLE AND GRASS BAG

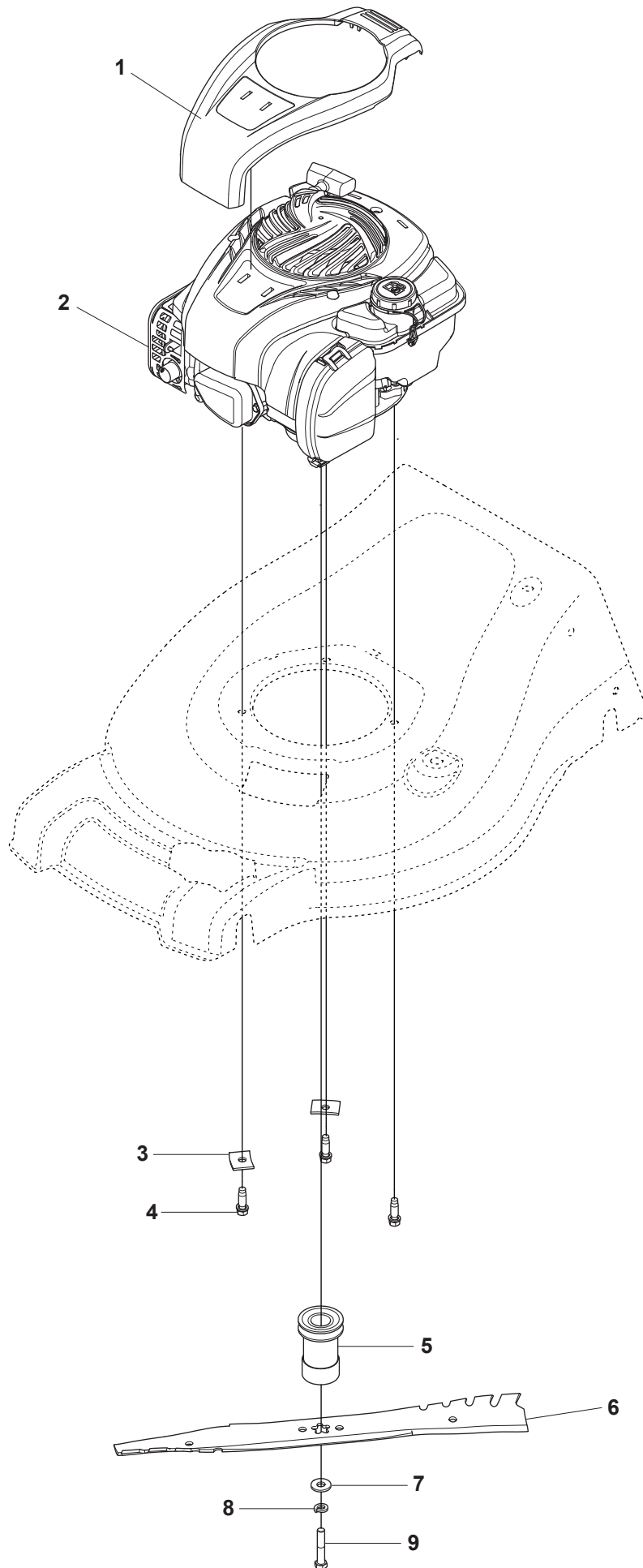


HUSQVARNA ROTARY LAWN MOWER – MODEL NUMBER LC221A

KEY NO.	PART NO.	DESCRIPTION
1	587478302	Bail, Straight, Over-molded, Operator Presence
2	194185X428	Bail, Drive, Straight
3	501188801	Cable, Operator Presence Bail
4	589197902	Handle, Upper, Straight
5	429930X004	Bracket, Up stop
6	178848	Screw, 10-16 X 5/8
7	581912601	Knob, T, Rope Guide
8	581902101	Guide, Rope
9	437516	Plug, Plastic, 7/8, 14-20 Gauge
10	588040401	Bolt, Concave Head, Retaining
11	501064002	Handle, Lower 2 piece, 3 Position
12	182398	Knob, Handle, Star
13	197991	Clip, P/Cable
14	428124	Pin, Push, 0.250 X 0.783
15	182398	Knob, Handle, Star
16	582198701	Cable, Drive, Under-bail, 21" AWD
17	587100409	Grass Bag, Husqvarna 21" AWD
18	586929102	Frame, Grass Bag

NOTE: All component dimensions given in U.S inches unless otherwise noted. 1 inch = 25.4 mm. IMPORTANT: Use only Original Equipment Manufacturer (O.E.M.) replacement parts. Failure to do so could be hazardous, damage your lawn mower and void your warranty.

C LC221A
ENGINE



HUSQVARNA ROTARY LAWN MOWER – MODEL NUMBER LC221A

KEY NO.	PART NO.	DESCRIPTION
1	588878701	Insert, Shroud, Husqvarna
2	585584812	Engine, Briggs & Stratton, 625EX
3	851201X004	Washer, Engine
4	150406	Bolt, Engine, 3/8-16
5	587037801	Adapter, Blade.7/8, 21" AWD
6	586859602	Blade, High Lift
7	851074	Washer, Hardened
8	850263	Lock washer, 3/8, Helical Spring
9	179617	Bolt, Blade, Hex Head Machine Screw

NOTE: All component dimensions given in U.S inches unless otherwise noted. 1 inch = 25.4 mm. IMPORTANT: Use only Original Equipment Manufacturer (O.E.M.) replacement parts. Failure to do so could be hazardous, damage your lawn mower and void your warranty.