



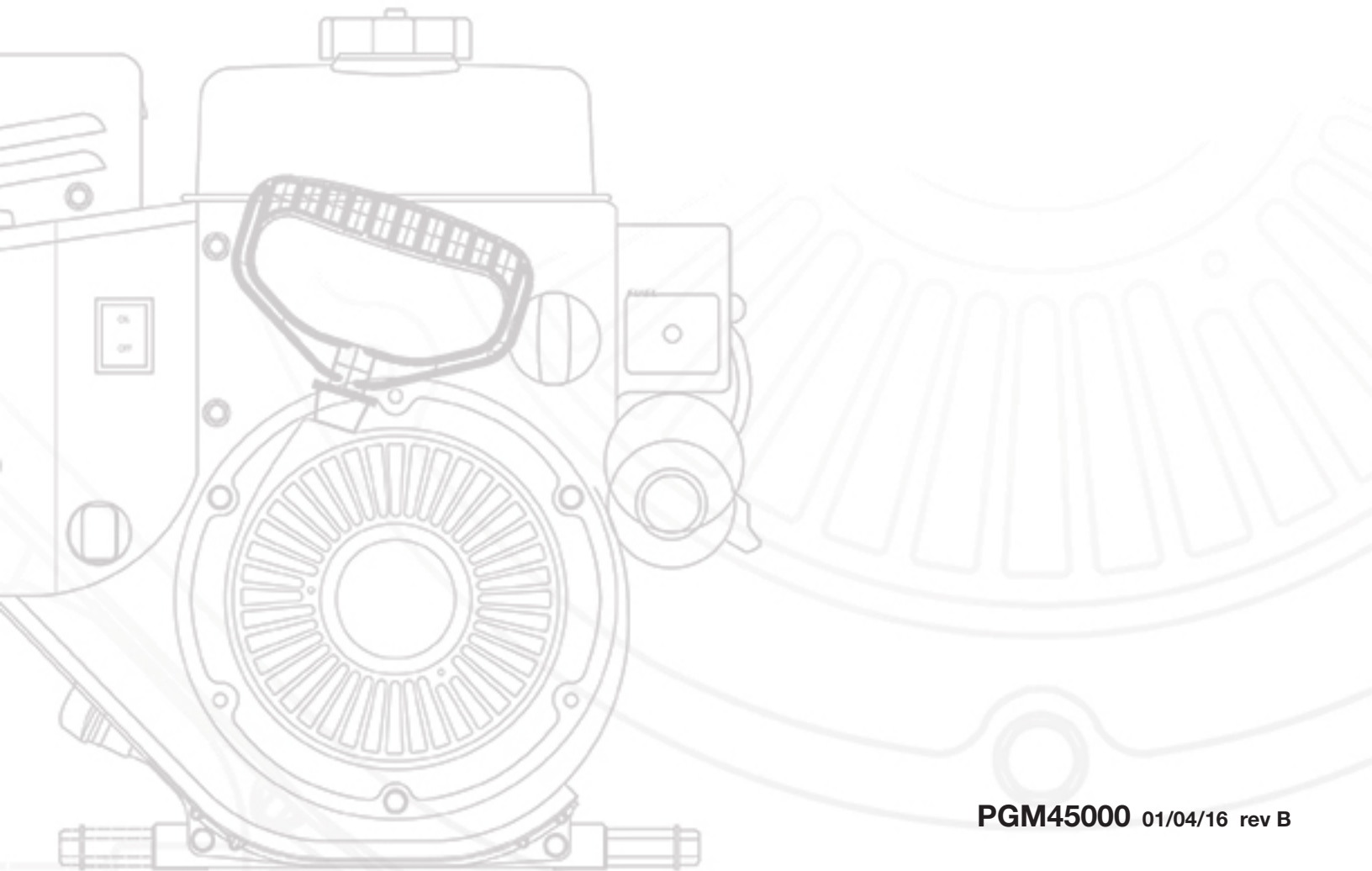
SAVE THIS MANUAL FOR FUTURE USE.
CONSERVEZ LE GUIDE POUR CONSULTATION ULTÉRIEURE.

SNOW ENGINE MOTEUR D'HIVER

FOR COLD WEATHER USE ONLY
POUR UTILISATION PAR TEMPS FROIDS SEULEMENT

Operation Manual / Manuel d'opération

This spark ignition system complies with the Canadian standard ICES-002.
Ce système d'allumage par étincelle de véhicule est conforme à la norme NMB-002 du Canada.



PGM45000 01/04/16 rev B

California Proposition 65

WARNING:

The engine exhaust from this product contains chemicals known to the state of California to cause cancer and birth defects, or other reproductive harm.

! DANGER

CARBON MONOXIDE HAZARD




NEVER use engine inside homes, garages, crawl spaces, or other partially enclosed areas. Poisonous gases that can be harmful or fatal can build up in these areas. Using a fan and opening doors or windows does NOT provide enough fresh air. Engine exhaust contains carbon monoxide - a poisonous gas that can be harmful or fatal. You CANNOT see or smell this gas.

Use a battery-powered carbon monoxide detector when running an engine.

If you start to feel sick, dizzy, or weak while using an engine, shut it off and get to fresh air RIGHT AWAY. See a doctor. You may have carbon monoxide poisoning.

! DANGER

Using an engine or engine application indoors CAN KILL YOU IN MINUTES. Exhaust contains carbon monoxide, a poison gas you cannot see or smell.

		
NEVER use in the home or in partly enclosed areas such as garages.		ONLY use outdoors and far from open windows doors, and vents.

Avoid other engine dangers.
READ MANUAL BEFORE USE.

! DANGER

RISQUE DE MONOXYDE DE CARBONE




Ne JAMAIS utiliser le moteur à l'intérieur des maisons, garages, des espaces de vide sanitaire, ou autres secteurs partiellement clos. Les gaz toxiques peuvent s'accumuler dans ces secteurs et peuvent devenir nocifs ou mortels. L'utilisation d'un ventilateur et l'ouverture des portes et fenêtres NE fournissent pas assez d'air frais. L'échappement du moteur contient du monoxyde de carbone, un gaz toxique qui peut être dommageable ou fatal. Vous NE POUVEZ PAS voir ou sentir ce gaz.

Utiliser un détecteur de monoxyde de carbone à pile lorsque le moteur tourne.

En cas de malaise, d'étourdissement ou de faiblesse durant le fonctionnement du moteur, couper l'alimentation et sortir à l'air frais SUR-LE-CHAMP. Consultez un médecin. Vous avez peut-être un empoisonnement au monoxyde de carbone.

! DANGER

L'utilisation d'un moteur ou d'une application alimentée par moteur à l'intérieur PEUT TUER EN QUELQUES MINUTES. L'échappement contient du monoxyde de carbone, un gaz toxique impossible à voir et à sentir.

		
NE JAMAIS utiliser dans la maison ou dans des endroits partiellement fermés tels que des garages.		Utilisez SEULEMENT à l'extérieur, loin des fenêtres et portes ouvertes et des prises d'air.

Éviter les dangers d'autres moteurs
LISEZ LE MANUEL AVANT L'UTILISATION.

Contents / Contenu

Introduction	2	Introduction	15
Engine and Safety Symbols	2	Symboles de sécurité et du moteur	15
Engine Safety	3	Sécurité du moteur	16
Controls & Features	4	Commandes & fonctions	17
Before Operation	5	Avant l'utilisation	18
Pre-Operation Checks	5	Véifications avant utilisation	18
Safe Operation Precautions	5	Mesures de sécurité de fonctionnement	18
Operation	6-7	Utilisation	19-20
Before Starting the Engine	6	Avant de démarrer le moteur	19
Starting the Engine (Manual Start)	6	Démarrage du moteur (démarrage manuel)	19
Pull Start Procedure	6	Procédure de démarrage à rappel	19
Starting the Engine (Electric Start)	6	Démarrage du moteur (démarrage électrique)	19
Stopping the Engine	7	Arrêt du moteur	20
High Altitude Operation	7	Utilisation à haute altitude	20
Servicing Your Engine	8-10	L'entretien de votre moteur	21-23
The Importance of Maintenance	8	L'importance de l'entretien	21
Maintenance Safety Instructions	8	Instructions de sécurité d'entretien	21
Refueling	9	Ravitaillement	22
Fuel Recommendations	9	Recommandations de carburant	22
Engine Oil Level Check	9	Véification du niveau d'huile	22
Snow Engine Oil Change Procedure	10	Neiger Procédure de Changement de Pétrole de Moteur	23
Engine Oil Recommendations	10	Recommandations d'huile à moteur	23
Spark Plug Maintenance	10	Entretien de la bougie	23
Helpful Tips and Suggestions	11-12	Suggestions et conseils utiles	24-25
Storing Your Engine	11	Entreposage de votre moteur	24
Maintenance Schedule	11	Calendrier d'entretien	24
Storage Precautions	12	Précautions d'entreposage	25
Transport	12	Transport	25
Technical & Consumer Information	12-13	Information technique & consommateur	25-26
Emission Control System Information	12	Information du système de contrôle des émissions	25
Consumer Information	12	Information pour le consommateur	25
Engine Model Number	13	Numéro de modèle du moteur	26
& Serial Numbering System		& système de numéros de série	
Warranty	14	Garantie	27

Introduction

When using this engine, your safety and the safety of others should be your top priority.

To assist you in making informed decisions regarding safety, we have provided operating procedures and other information on labels and in this manual. This information warns you of potential hazards that could hurt you or others.

Please stay safety conscious when using this engine. We have provided important safety information in a variety of forms, including:

- Safety Labels: placed on the engine.
- Safety messages: preceded by a safety alert symbol and one of three signal words, DANGER, WARNING, or CAUTION. These safety alert symbols mean:



If you do not follow instructions, it WILL cause you SERIOUS INJURY or DEATH.



If you do not follow instructions, it MAY cause you SERIOUS INJURY or DEATH.



If you do not follow instructions, it may cause you SERIOUS INJURY or EQUIPMENT DAMAGE.

- Safety Headings: such as IMPORTANT SAFETY INSTRUCTIONS.
- Safety Section: such as ENGINE SAFETY.
- Instructions: How to use this engine correctly and safely.

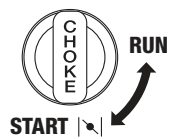
Thoroughly read and review this manual to know how to stay safe and get maximum benefit and enjoyment from using this engine.

Engine and Safety Symbols

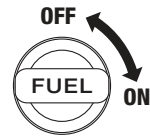


IMPORTANT SAFETY SYMBOLS

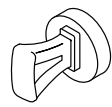
Shown below are important safety symbols found throughout this manual. Become familiar with these, as they are important to the safe and efficient use of your engine.



Choke Control



Fuel Control



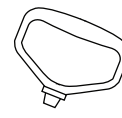
Push/Pull Key Switch



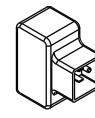
Keyed RUN/STOP Switch (if equipped)



Primer Bulb



Recoil Handle



Electric Starter Adaptor Plug



Starter Button (electric start only)



Idle Down Control (if equipped)



Choke Position



Shock



Hot Surface



Primer



RUN/STOP Switch



Stop



Key Insert

Engine Safety

WARNING

IMPORTANT SAFETY INSTRUCTIONS

Accidents occur less frequently when instructions are followed, the operator is safety conscious and the engine is properly maintained. Some of the most common hazards are discussed below, along with the best way to protect yourself and others.

- **This engine is for COLD WEATHER USE ONLY.**
- **FUEL STABILIZER IS RECOMMENDED FOR LONG TERM STORAGE.**

Owner and Operator Responsibilities

Owners and operators should perform the following suggestions:

- Carefully read the owners manual.
- Follow the instructions in this manual carefully.
- Familiarize yourself with all controls and know how to stop the engine quickly in case of an emergency.
- Keep children away from the engine and do not let them operate it. Keep children and pets away from the area of operation.
- Operate this engine in well-ventilated areas. NEVER run engine indoors.

Refueling the Engine

Gasoline is extremely flammable, and gasoline vapor can explode. When refueling the engine, take the following precautions.

- Perform when the engine is cool.
- Refuel outdoors in well-ventilated areas.
- The engine must not be running.
- Make sure the engine is grounded to prevent static electrical spark.
- Do not smoke or use cell phones when refueling.
- Keep away from flames or sparks.
- If spillage occurs, be sure all areas are dry and vapor has dissipated prior to starting the engine.

Exhaust

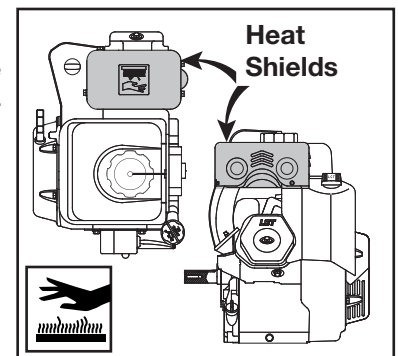
DANGER

CARBON MONOXIDE HAZARD:

Engine exhaust is dangerous because of intense heat and emission of carbon monoxide, a poisonous gas. Avoid inhalation of exhaust gas. Always run the engine in a well-ventilated area. Never run the engine indoors.

Heat Shield

- The snow engine is equipped with a heat shield that is designed to allow the engine to operate in cold conditions (see starting procedure for correct choke placement when starting the engine). The heat shield and components inside are hot. Make sure the engine has sufficient time to cool before touching the shield or performing maintenance work inside the shield. See Maintenance Section for further information.
- To prevent fire hazards and for adequate ventilation, keep the engine at least 3 feet (1 meter) away from building walls and other equipment during operation. Do not place flammable objects close to the engine.



Other Equipment

Review the instructions provided with the equipment powered by this engine for any additional safety precautions that should be observed in conjunction with engine startup, shutdown, operation, or protective safety gear that may be needed to operate the equipment.

WARNING



Do not touch hot sections of engine (see figure above). The hot sections of the engine can cause severe burns.

Controls & Features

CONTROLS

1. Choke Control Knob

The Choke Control Knob opens and closes the choke valve in the carburetor. The “START” position enriches the fuel mixture which allows easier starting a cold engine. The “RUN” position provides the correct fuel mixture once engine warms up. Never try to shut the engine down using the Choke Control Knob.

2. Idle-Down Control Ring (if equipped) (not shown)

The Idle-Down Control Ring sets engine speed from high-speed to low-speed. Rotate the ring clockwise, “RUN” position for high-speed. This control MUST be set in the “RUN” position for starting a cold engine. By rotating the ring counterclockwise, “IDLE” position, will allow your engine to run at low-speed. DO NOT OPERATE EQUIPMENT IN THE IDLE POSITION. Note: the idle-down control is intended to be either in “RUN” or “IDLE” positions only.

3. Engine RUN/STOP Rocker Switch (or optional Rotary Key Switch)

The Engine Rocker Switch (or optional Rotary Key Switch) enables and disables the ignition system. Turn the engine switch to the RUN position to start the engine. Turn the Engine Rocker Switch to the STOP position to stop the engine.

4. Fuel Control Knob

The Fuel Control Knob opens and closes the passage between the fuel tank and carburetor. The Fuel Control Knob must be in the “ON” position for the engine to run. When the engine is not in use, be sure to turn the Fuel Control Knob to the “OFF” position.

5. Safety Key Switch

The Safety Key Switch enables the engine electrical system and must be installed to start the engine. On some models this key switch is incorporated with the RUN/STOP switch, #3.

6. Primer Bulb

The Primer Bulb system is designed to enrichen the fuel mixture for starting a cold engine. DO NOT over prime the fuel system. To properly use the Primer Bulb system, depress Primer Bulb 3 times maximum when starting a cold engine. Do not use Primer Bulb system when attempting to start a warm engine.

7. Oversized Recoil Handle

The engine is started by pulling the Recoil Handle. Always grip firmly and have your body positioned properly when pulling. When starting the engine:

- Slowly pull Recoil Handle until resistance is felt.
- Then pull firmly the full length of the rope to start engine.
- Never wrap thumb around Recoil Handle in the event of engine kick-back.

8. Oversized Gas Cap

Allows for easy opening and closing for more efficient refueling.

9. Electric Start (if equipped)

Used to start the engine with 120VAC extension cord. Always use correct size extension cord to prevent electric starter damage.

10. High Oil Fill Tube (if equipped)

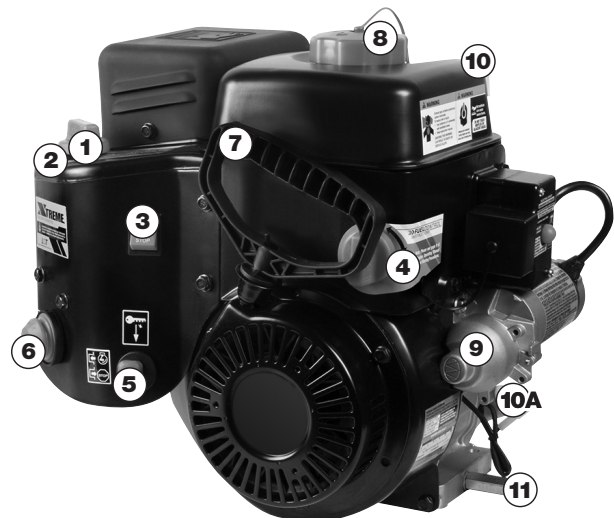
Allows convenient location for adding oil during the life of the engine. Check oil level with lower oil fill plug (10A) per owner’s manual instructions.

11. Oil Drain

The oil drain can be located on either side and on some models extend out below the recoil housing.



Optional combined Engine Run/Stop and Safety Key Switch (3 & 5)



Before Operation

PRE-OPERATION CHECKS

For your safety, and to maximize the service life of your equipment, it is very important to take a few moments before you operate the engine to check its condition. Be sure to take care of any problem you find, or have your servicing dealer correct it, before you operate the engine.

WARNING

Improperly maintaining this engine or failing to correct a problem before operation, could cause a malfunction in which you could be seriously injured.

Always perform a pre-operation inspection before each operation and correct any problem.

Before beginning your pre-operation checks, be sure the engine is level and the engine switch is in the STOP position.

Check the General Condition of the Engine

- Remove any excess dirt or debris, especially around the heat shield, recoil starter, and cylinder head fins.
- Inspect for signs of damage and oil leakage.
- Be sure all shields and covers are in place. All nuts, bolts, and screws must be tight.

Check the Engine

- Check the engine oil level. Running the engine with a low oil level or improper oil can cause engine damage. To avoid the inconvenience of an unexpected shutdown, always check the engine oil on a level surface before startup. Engine may be shipped with or without oil. 5W-30 oil is recommended for general use. Synthetic oil is an acceptable alternative (refer to Engine Oil Level Check (page 9) for proper engine oil levels).
- Check the fuel level before start-up. Since the engine must be cool before refueling, starting with a full tank will help to eliminate or reduce operating interruptions for refueling.

Electric Start

- Determine what type of power source outlet you will be connecting the power cord to. If the starter is equipped with a 120V AC electrical requirement, make sure to use the appropriate 120V AC household current input.
- Determine if your power source has a Ground Fault Interrupt (GFI) three-wire system by consulting with a licensed electrician. If your power source does not have a GFI three-way ground system, DO NOT USE THE ELECTRIC STARTER due to a possible hazardous condition.

Check all Equipment Powered by this Engine

Review the instructions provided with the equipment powered by this engine for all precautions and procedures that should be followed before starting the engine.

SAFE OPERATING PRECAUTIONS

Review the instructions provided with the equipment powered by this engine for any safety precautions that should be observed in conjunction with starting, shutting down, or operating the engine.

WARNING

This engine is designed for COLD WEATHER USE ONLY.

WARNING

Carbon monoxide gas is toxic. Breathing it can cause unconsciousness and/or death.
Avoid any areas or actions that expose you to carbon monoxide.

WARNING

DO NOT place hands on or near the exhaust system while starting.

Operation

BEFORE STARTING THE ENGINE (fig. 1)

Before starting the Engine, carefully note the following:

- Check engine oil level.
- Allow Engine To Warm Up for approximately 15-20 seconds before rotating Choke Knob to Run Position.
- If inconsistent engine speeds are experienced when Choke Knob is rotated to Run Position:
 1. Move Choke Knob to Mid-Point Between Run and Start Positions and allow Engine to develop additional operating heat.
 2. After Engine has warmed up, rotate Choke Knob to Run Position.

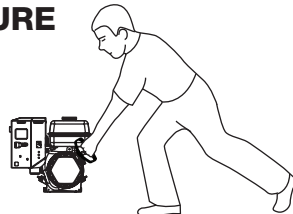
STARTING THE ENGINE (MANUAL START) (fig. 1)

1. Rotate Choke Knob to START position. Rotate Idle-Down Ring clockwise to "RUN" position (if equipped). Note: The engine pictured on these pages does not have an Idle Down feature.
2. Select RUN on Run/Stop Rocker Switch or turn Rotary Key Switch to Run (see insert).
3. Rotate Fuel Control Knob to ON position.
4. Only on models with individual Key Switch and Rocker Switch: Insert Safety Key into slot (DO NOT TURN SAFETY KEY SWITCH). Be sure you feel a "snap" when Safety Key is fully inserted.
5. Prime system: 3 primes maximum. DO NOT over prime system. Make sure you cover the vent hole before the primer is compressed. Hold the primer bulb in the compressed position for one full second each time you press it. Repeat for a total of 3 primes.
6. Firmly grasp rope handle. Position your body so you are standing close to engine. Pull slowly until resistance is felt, then pull rope firmly and quickly to start engine and avoid kickback. DO NOT stand far away from engine or over extend the rope handle. Doing this will damage the recoil.

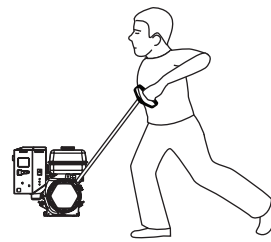
PULL START PROCEDURE



1. Firmly grasp recoil handle.



2. Position your body so you are standing close to engine.



3. PULL SLOWLY UNTIL RESISTANCE IS FELT, then pull rope firmly and quickly to start engine and avoid kickback.



WARNING

Do not stand far away from engine or over-extend the rope handle. Doing this will damage the recoil

STARTING THE ENGINE (ELECTRIC START) (fig. 1)

Follow steps 1-5 for manual engine start procedure.

- 6A. Use a 3-wire extension cord and plug cord into starter motor adaptor first. Then plug cord into wall receptacle. Use appropriately sized extension cord (a minimum of 16 gage, 3-wire, 13 amp, no longer than 25 feet, and suitable for outdoor use) to prevent damage to electric starter.
7. Press and hold starter button.

CAUTION

Do not hold the electric starter button down for more than 5 seconds. Wait at least 1 minute before additional starting attempts.

IMPORTANT: After engine starts, unplug the cord from the starter adaptor.

WARNING



If additional extension cord is needed, make sure to use a three-wire cord. Do not exceed extension cord length provided by Equipment Manufacturer. Only use extension cord with equal to or greater AWG size wire that is provided by the Equipment Manufacturer.



Optional combined Engine Run/Stop and Safety Key Switch

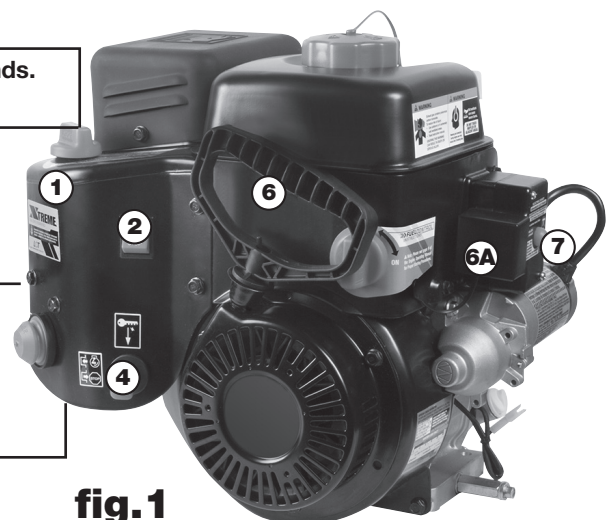


fig. 1

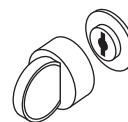
STOPPING THE ENGINE (fig. 2)

To stop the engine in an emergency:

1. Flip Rocker Switch to STOP position (with a rotary type switch, turn the key to the STOP position (see insert)).
2. Pull Safety Key from Engine.

Under normal conditions, use the following procedure:

1. Flip Rocker Switch to STOP position (with a rotary type switch, turn the key to the STOP position (see insert)).
2. Pull Safety Key from Engine and store in a safe place for future use.



**Optional combined
Engine Run/Stop
and Safety Key Switch**



HIGH ALTITUDE OPERATION

Carburetor Modifications

The standard carburetor air-fuel mixture may be too rich when operated at high altitude resulting in possible decreased performance and increased fuel consumption. Please have an authorized Service Center modify this engine's carburetor if it is operated continuously above 5000 feet. Failure to modify may result in poor engine performance, spark plug fouling, hard starting, and increased emissions.

Carburetor modification by an authorized Service Center will improve performance and allow this engine to continually meet US EPA and California ARB emission standards throughout its useful life.

Important Note

When the carburetor has been modified for high altitude operation, the air-fuel mixture may be too lean for operation at 5000 feet or below. This could result in the engine overheating and could cause serious engine damage. Please have an authorized Service Center restore high altitude converted carburetors back to the original factory specification before operating below 5000 feet.

To locate the nearest dealer, please visit our website or call our toll free hotline:

www.lctusa.com

Toll Free: (800) 558-5402

Servicing Your Engine

THE IMPORTANCE OF MAINTENANCE

Protect yourself and your equipment by properly maintaining your engine.

Proper engine maintenance is necessary for safe, economical, and trouble-free operation.

WARNING

Improperly maintaining this engine, or failure to correct a problem before operation, can cause a malfunction in which you can be seriously hurt or killed. Always follow the inspection and maintenance recommendations and schedules in this owner's manual.

To assist you in properly caring for your engine, the following pages include routine inspection procedures and simple maintenance procedures using basic hand tools. Service tasks that are more difficult or which require special tools should be handled by professionals and are normally performed by a service technician or qualified mechanic.

NOTICE

See Maintenance Schedule for normal and extreme operation condition differences.

MAINTENANCE SAFETY INSTRUCTIONS

This manual contains very important safety precautions. However, we cannot warn you of every conceivable hazard that can arise while performing maintenance. You must decide whether or not you should perform a given task and always be safety conscious.

Safety Precautions

- Make sure the engine is not running, is turned OFF, spark plug cap is removed from spark plug, and engine is cooled off before you begin any maintenance or repairs. This can prevent several potential hazards, such as the following:

Carbon monoxide poisoning from engine exhaust.

Run engine in a well-ventilated area.

Burns from hot parts.

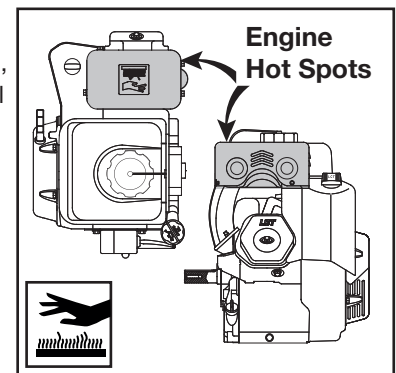
Let the engine and exhaust system cool-off before touching. (see drawing right)

Injury from moving parts.

Do not run the engine unless instructed to do so.

- Before you begin maintenance, read all instructions and make sure you have the tools and skills required.
- To reduce the possibility of fire or explosion, be alert when working around gasoline. Use only a nonflammable solvent, not gasoline, to clean parts. Keep cigarettes, sparks and flames away from all fuel-related parts.
- It is suggested to keep a fire extinguisher close by when performing maintenance.

Your servicing dealer knows your engine best and is equipped to maintain and repair it.



Servicing Your Engine CONTINUED

REFUELING

With the engine stopped and cool, remove the fuel tank cap and check the fuel level. Refill the tank if the fuel level is low. Leave enough area in the tank to allow for fuel expansion caused by heat. This will help prevent fuel from being forced from the tank onto a hot surface. NEVER FILL TANK ABOVE MARKED RECOMMENDATIONS ON FUEL STRAINER.

WARNING

Gasoline is highly flammable and explosive. You can be burned or seriously injured when handling fuel.

- Stop the engine and keep heat, sparks and flame away.
- Only handle fuel outdoors.
- Wipe up spills immediately.
- Allow engine to cool before refueling.

Refuel in a well-ventilated area with the engine OFF and cool. Avoid spilling fuel. Do NOT fill above the fuel strainer marking. Fuel cap should make a “clicking” sound when properly tightened. After refueling, tighten the fuel tank cap securely. Refuel the engine in a properly ventilated location and away from where fuel fumes may reach flames or sparks. Keep fuel away from appliance pilot lights, barbecues, electric appliances, power tools, and other electric appliances.

Spilled fuel is a fire hazard and it causes environmental damage. Wipe up spills immediately. Do not use cell phones or other electronic devices while refueling. Prevent static electricity when refueling. Fuel can damage paint and plastic. Do not spill fuel when filling your fuel tank. Damage caused by spilled fuel is not covered under warranty.

FUEL RECOMMENDATIONS

Use unleaded gasoline with a pump octane rating of 86 or higher. These engines operate best on unleaded gasoline.

CAUTION

Do NOT use stale or contaminated gasoline or an oil/gasoline mixture. Avoid getting dirt or water in the fuel tank. Use only proper fuel containers that are properly marked.

CAUTION

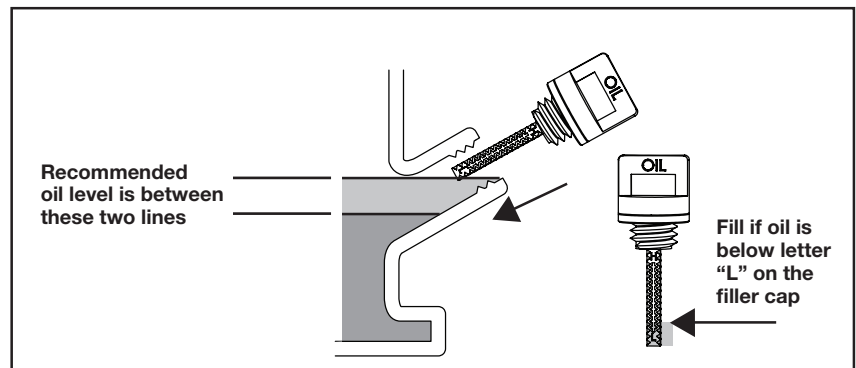
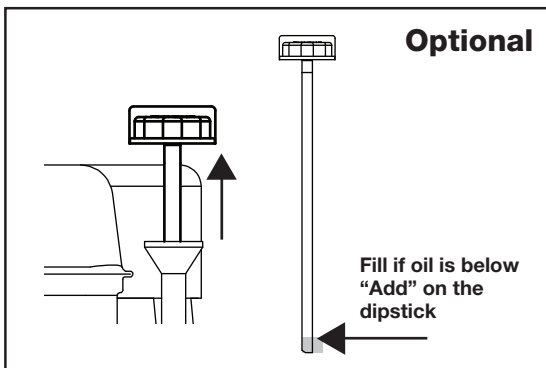
DO NOT use E85 blended fuels. This engine is also not E15 compatible.

Maximum recommended ethanol content: 10%

ENGINE OIL LEVEL CHECK

Check the engine oil level with the engine stopped and with the engine in a level position.

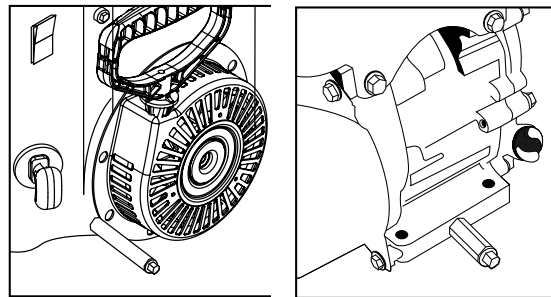
1. Remove either side mounted filler cap dipstick or high oil fill dipstick (if equipped) and wipe it clean.
2. Insert the dipstick into the filler neck and turn clockwise until fully seated. Then remove the dipstick by turning it counter-clockwise. Check the oil level shown on the dipstick.
3. Securely screw in the filler cap/dipstick. Running the engine with a low oil level can cause engine damage. Always check the engine oil before start up.



Servicing Your Engine CONTINUED

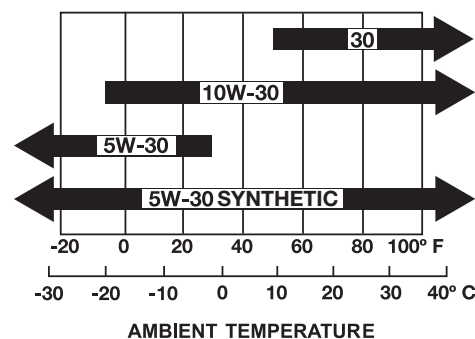
SNOW ENGINE OIL CHANGE PROCEDURE

1. Begin the oil change with a cold engine.
2. Start and run the engine for 1-2 minutes.
3. Turn the engine off.
4. Place the rocker switch in the stop position.
5. Remove the snow safety key.
6. The body of the oil drain tube (if equipped) should be supported as the oil drain plug is removed. Support the body of the oil drain tube with a 14mm wrench in a clockwise direction. Loosen the 10mm oil drain plug by turning it counter-clockwise. Remove the oil drain plug and crush washer.
7. Drain the oil completely.
8. Verify the oil drain tube (if equipped) is tight in the engine cylinder block: 36 NM & 320-330 in. lbs.
9. Reinstall the oil drain plug and crush washer. The crush washer must be reinstalled between the oil drain tube and oil drain plug to prevent oil leakage. Tighten the oil drain plug to 31 NM & 270-280 in. lbs.
10. Refill the crankcase with the proper oil type and amount.
11. Checking oil with a dip stick; screw the dip stick cap down tightly, then remove and check oil level.



ENGINE OIL RECOMMENDATIONS

- Engine oil affects performance and service life. Use 4-cycle automotive detergent oil.
- 5W-30 oil is recommended for general use (synthetic oil is an acceptable alternative).
- The SAE oil viscosity and service classification are in the API label on the oil container. Use API SERVICE category SJ engine oil, or higher.



SPARK PLUG MAINTENANCE

F6RTC (Torch) Plug Recommended / F6RTP (Platinum) Optional

Cross References:

- Champion plug cross reference is: RN9YC (some tables show RN9YCC)
- NGK plug cross reference: BPR6ES
- BOSCH plug cross reference is: WR6DC

⚠ NOTICE

Using an incorrect spark plug may cause engine damage.

Changing the Spark Plug

⚠ WARNING



The heater box may be hot and must be allowed to cool completely before touching. Muffler and components inside heat shield may be HOT! Allow to cool before servicing the spark plug or any area inside and around the heat shield.

1. When engine is cool, remove safety key.
2. Disconnect the spark plug cap and remove any debris from the spark plug area with high pressure air.
3. Remove the spark plug with a 13/16-inch spark plug wrench.
4. Inspect the spark plug. Replace it if the electrodes are worn or if the insulator is cracked or chipped. Spark plug gap should be set to 0.027 - 0.030 inches.
5. Install the spark plug carefully to avoid cross threading. Screw in spark plug by hand until it stops turning.
6. Tighten the spark plug with a 13/16-inch spark plug wrench. Tighten 1/4 turn after the spark plug seats.

⚠ NOTICE

A loose spark plug can overheat and damage the engine. Over-tightening the spark plug can damage the threads in the cylinder head.

7. Attach the spark plug cap. Ensure spark plug cap snaps into place securely.
8. Reinstall Safety Key before attempting to start engine.

Engine Oil Capacities:

136cc / 179cc / 208cc	16 oz (.473 liter)
254cc	20 oz (.591 liter)
291cc / 306cc	32 oz (.946 liter)
369cc / 414cc / 420cc	38 oz (1.123 liter)

Note: Total oil capacity could be as much as 4 additional ounces over volumes above due to engine mounting angle and proper draining.

Helpful Tips & Suggestions

STORING YOUR ENGINE

Storage Preparation

Proper storage preparation keeps your engine trouble-free and clean. The following steps will assist in keeping rust and corrosion from impairing your engine's function and appearance, and will make the engine easier to start when using again.

Cleaning

If the engine has been running, allow it to cool for at least half an hour before cleaning. Clean all exterior surfaces and apply a light film of spray penetrating lubricant.

- Do not allow water to enter into the exhaust ports or into the heat shield openings (intake port). Water that passes through these areas can cause damage to the engine. Use a rag to wipe down heat shield if cleaning is required.
- Water contacting a hot engine can cause damage. If the engine has been running, allow it to cool for at least half an hour before cleaning.
- It's best to use compressed air to clean debris from engine.

Adding a Fuel Stabilizer to Extend Fuel Storage Life

⚠ NOTICE

Fuel stabilizer is recommended for long term storage.

1. Turn the red fuel knob to the OFF position while engine is running and allow the engine to run until it stops. Turn engine OFF when it begins surging to avoid engine damage.
2. Add fuel stabilizer, following the manufacturer's instructions.
3. Turn the red fuel knob to the ON position after adding fuel stabilizer.
4. Re-start engine.
5. Run the engine outdoors for 1 minute to be sure that treated gasoline has replaced the untreated gasoline in the carburetor.
6. Slow the engine to an idle speed.
7. Repeat step 1 above.

MAINTENANCE SCHEDULE

Normal Operating Conditions (less than 40 hrs. per year)

	EACH USE	FIRST MONTH	EVERY 6 MONTHS	ONCE A YEAR
Engine Oil Level	Check			
Engine Oil		Replace	Replace	
Spark Plug*			Clean	Replace
Cylinder/Head Fins				Clean
Oil Leaks	Check/Repair			
Bolts	Check/Repair			
Fuel Hose Clamps	Check/Repair			

* Spark plug gap to be set to 0.027 - 0.030 inches.

Extreme Operating Conditions (greater than 40 hrs. per year)

	EACH USE	EVERY 40 HOURS
Engine Oil Level	Check	
Engine Oil		Drain and Replace
Spark Plug*		Replace
Cylinder/Head Fins	Check	Clean
Oil Leaks	Check/Repair	
Bolts	Check/Repair	
Fuel Hose Clamps	Check/Repair	

* Spark plug gap to be set to 0.027 - 0.030 inches.

⚠ CAUTION

Following proper maintenance is critical under extreme operating conditions.

Helpful Tips & Suggestions CONTINUED

STORAGE PRECAUTIONS

If your engine will be stored with gasoline in the fuel tank and in the carburetor, there is the possible hazard of gasoline vapor ignition. Choose a well-ventilated storage area away from heat, sparks, flames, and any appliance that operates with a flame or spark such as a furnace, water heater, or clothes dryer. Avoid any area with a spark-producing electric motor, garage door openers, or where power tools are operated.

Avoid storage areas with high humidity which causes rust and corrosion. Leave the red fuel knob in the OFF position to reduce the possibility of fuel leakage.

Position the equipment so the engine is level to avoid fuel or oil leakage. When the engine and exhaust system are cool, cover the engine to keep out dust. A hot engine and exhaust system can ignite or melt certain materials. Do not use sheet plastic as a dust cover. A nonporous cover can trap moisture around the engine causing rust and corrosion.

Removal From Storage

Check your engine as described in the BEFORE OPERATION chapter of this manual. If refueling is required, only use fresh gasoline.

TRANSPORT

Transport only when engine is cool. A hot engine and exhaust system can burn you and can ignite some materials. Keep the engine level when transporting to reduce the possibility of fuel leakage. Position the red fuel knob to the OFF position. Secure the engine to prevent movement during transporting to prevent potential injury and damage to the engine.

Technical & Consumer Information

EMISSION CONTROL SYSTEM INFORMATION

The U.S. and California Clean Air Acts

EPA and California regulations require all manufacturers to furnish written instructions describing the operation and maintenance of emission control systems.

The following instruction and procedures must be followed in order to keep the emissions from your engine within the emission standards.

Tampering and Altering

Tampering with or altering the emission control system may increase emissions beyond the legal limit. Among those acts that constitute tampering are:

- Removal or alteration of any part of the intake, fuel or exhaust systems.
- Altering or defeating the governor linkage or speed-adjusting mechanism to cause the engine to operate outside its design parameters.

CONSUMER INFORMATION

Manufacturer Publications

These publications will give you additional information for maintaining and repairing your engine. You may order them online at most book retailing web sites.

Small Engine Repair — Chilton Manual

This manual covers complete maintenance and overhaul procedures. It is intended to be used by a skilled technician.

Technical & Consumer Information CONTINUED

ENGINE MODEL NUMBER & SERIAL NUMBERING SYSTEM

The first two lines of an engine's number is the model number. It is alphanumeric and engraved on the side of the block to the right of the recoil. The third line is alphanumeric and is the serial number.

Engine Serial Number Sequence

14 65H 03 00001 A:



Example:

Engine Serial Number 1465H0300001A represents:

14: 2014

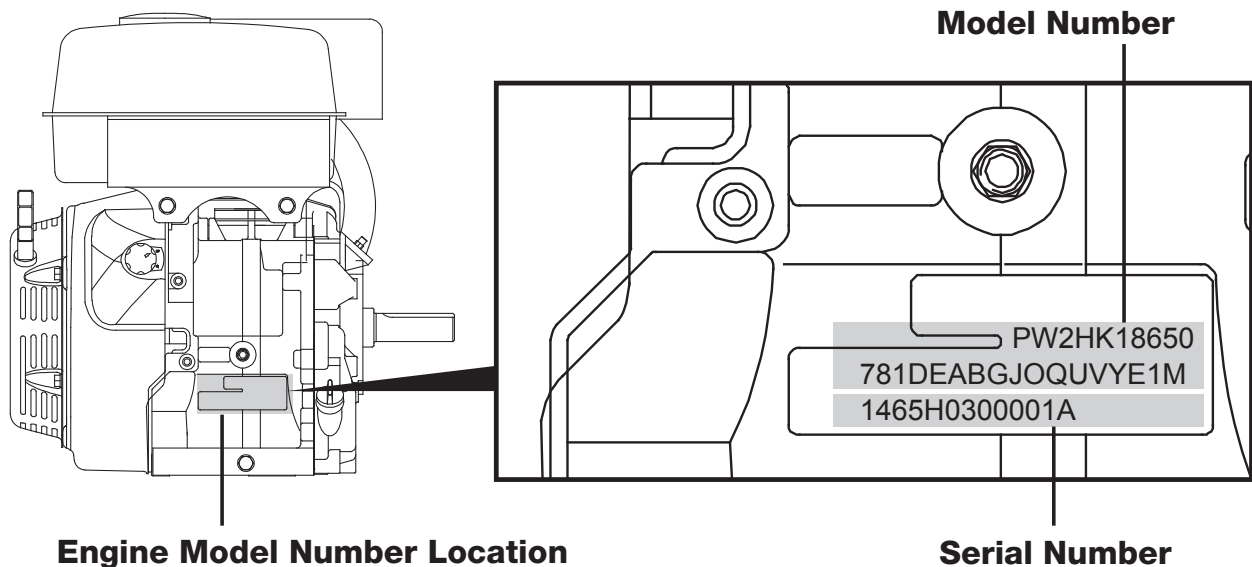
65H: 208cc Horizontal Engine Series (Refer to Engine Model Number System)

03: March

00001: 1st Engine Produced During Month of March

A: Horizontal Assembly Line

Note: The LCT Model Number and Serial Numbering System is subject to be changed or edited at any time.



Warranty

LIQUID COMBUSTION TECHNOLOGY, LLC EMISSION CONTROL WARRANTY STATEMENT

YOUR WARRANTY RIGHTS AND OBLIGATIONS

The California Air Resources Board, United States Environmental Protection Agency (US EPA), and Liquid Combustion Technology, LLC (LCT) are pleased to explain the emissions control system warranty on your 2016 and later small off-road engine (SORE). In California, new small off-road engines must be designed, built and equipped to meet the State's stringent anti-smog standards. Liquid Combustion Technology, LLC must warrant the emission control system (EEC) on your small off-road engine for the periods of time listed below provided there has been no abuse, neglect or improper maintenance of your small off-road engine.

Your emission control system may include parts such as the carburetor or fuel tanks, fuel lines, fuel caps, valves, canisters, filters, vapor hoses, clamps, connectors, and other associated components.

MANUFACTURER'S WARRANTY COVERAGE

This emissions control system is warranted for two years. If any emissions-related part on your equipment is defective, the part will be repaired or replaced by Liquid Combustion Technology, LLC, provided there has been no abuse, neglect or improper maintenance of your small off-road engine.

OWNER'S WARRANTY RESPONSIBILITIES

As the small off-road engine owner, you are responsible for the performance of the required maintenance listed in your owner's manual. Liquid Combustion Technology, LLC recommends that you retain all receipts covering maintenance on your small off-road engine, but Liquid Combustion Technology, LLC cannot deny warranty solely for the lack of receipts or for your failure to ensure the performance of all scheduled maintenance.

As the small off-road engine owner, you should however be aware that Liquid Combustion Technology, LLC may deny you warranty coverage if your small off-road engine or a part has failed due to abuse, neglect, improper maintenance or unapproved modifications.

You are responsible for presenting your small off-road engine to a Liquid Combustion Technology, LLC dealer as soon as a problem exists. If you have any questions regarding your warranty rights and responsibilities, you should contact LCT at one of the following:

Certified Parts Corporation
1029 South Jackson Street
Janesville, WI 53546
800.558.5402
www.lausonpower.com

Liquid Combustion Technology
100 Roe Road
Travelers Rest, SC 29690
877.274.2214
www.lctusa.com
support@lctlc.com

GENERAL EMISSIONS WARRANTY COVERAGE

Liquid Combustion Technology, LLC's application for certification warrants to the ultimate purchaser and each subsequent purchaser that the engine is:

Designed, built, and equipped so as to conform with all applicable regulations and free from defects in materials and workmanship that cause the failure of a warranted part to be identical in all material respects to the part as described in the Liquid Combustion Technology, LLC's application for certification.

The warranty period begins on the date the engine or equipment is delivered to an ultimate purchaser. The warranty period is two years.

Subject to certain conditions and exclusions as stated below, the warranty on emission-related parts is as follows:

Any warranted part that is not scheduled for replacement as required maintenance in the written instructions supplied is warranted for the warranty period stated above. If the part fails during the period of warranty coverage, the part will be repaired or replaced by Liquid Combustion Technology, LLC according to subsection (4) below. Any such part repaired or replaced under the warranty will be warranted for the remaining warranty period.

Any warranted part that is scheduled only for regular inspection in the written instructions supplied is warranted for the warranty period stated above. Any such part repaired or replaced under warranty will be warranted for the remaining warranty period.

Any warranted part that is scheduled for replacement as required maintenance in the written instructions supplied is warranted for the period of time before the first scheduled replacement date for that part. If the part fails prior to the first scheduled replacement, the part will be repaired or replaced by Liquid Combustion Technology, LLC's according to (4) below. Any such part repaired or replaced under warranty will be warranted for the remainder of the period prior to the first scheduled replacement point for the part.

Repair or replacement of any warranted part under the warranty provisions herein will be performed at a warranty station at no charge to the owner.

Notwithstanding the provisions of herein, warranty services or repairs will be provided at all Liquid Combustion Technology, LLC's distribution centers that are franchised to service the subject engines.

The owner will not be charged for diagnostic labor that is directly associated with diagnosis of a defective, emission-related warranty part, provided that such diagnostic work is performed at a warranty station.

Liquid Combustion Technology, LLC is liable for damages to other engine components proximately caused by a failure under warranty of any warranted part.

Throughout the engine's warranty period defined above, Liquid Combustion Technology, LLC will maintain a supply of warranted parts sufficient to meet the expected demand for such parts.

Any replacement part may be used in the performance of any warranty maintenance or repairs and will be provided without charge to the owner. Such use will not reduce the warranty obligations of Liquid Combustion Technology, LLC

Add-on or modified parts that are not exempted by the Air Resources Board may not be used. The use of any non-exempted add-on or modified parts by the ultimate purchaser will be grounds for disallowing a warranty claim. Liquid

Combustion Technology, LLC will not be liable to warrant failures of warranted parts caused by the use of such an add-on or modified part.

WARRANTED PARTS

The repair or replacement of any warranted part otherwise eligible for warranty coverage may be excluded from such warranty coverage if Liquid Combustion Technology, LLC demonstrates that the engine or equipment has been abused, neglected, or improperly maintained, and that such abuse, neglect, or improper maintenance was the direct cause of the need for repair or replacement of the part. That notwithstanding, any adjustment of a component that has a factory installed, and properly operating, adjustment limiting device is still eligible for warranty coverage. The following emission warranty parts lists are covered if factory installed:

- (1) Fuel Metering System
 - (i) Carburetor and internal parts (and/or pressure regulator or fuel injection system)
 - (ii) Air/fuel ratio feedback and control system
 - (iii) Cold start enrichment system
- (2) Air Induction System
 - (i) Controlled hot air intake system
 - (ii) Intake manifold
 - (iii) Air filter
- (3) Ignition System
 - (i) Spark Plugs
 - (ii) Magneto or electronic ignition system
 - (iii) Spark advance/retard system
- (4) Exhaust Gas Recirculation (EGR) System
 - (i) EGR valve body, and carburetor spacer if applicable
 - (ii) EGR rate feedback and control system
- (5) Air Injection System
 - (i) Air pump or pulse valve
 - (ii) Valves affecting distribution of flow
 - (iii) Distribution manifold
- (6) Catalyst or Thermal Reactor System
 - (i) Catalytic converter
 - (ii) Thermal reactor
 - (iii) Exhaust manifold
- (7) Particulate Control Traps
 - (i) Filters, precipitators, and any other device used to capture particulate emissions
- (8) Miscellaneous Items Used in Above Systems
 - (i) Vacuum, temperature, and time sensitive valves and switches
 - (ii) Electronic controls
 - (iii) Hoses, belts, connectors, and assemblies
- (9) Evaporative Emissions Components
 - (i) Fuel Line
 - (ii) Fuel Line Clamps
 - (iii) Fuel Tank and Fuel Cap
 - (iv) Carbon Canister and connecting parts
 - (v) ROV

Introduction

Lorsque vous utilisez ce moteur, votre sécurité et la sécurité des autres devrait être votre priorité principale.

Pour vous aider à prendre des décisions éclairées concernant la sécurité, nous avons fourni des procédures d'utilisations et d'autres informations sur des étiquettes et dans ce manuel. Cette information vous avertit des risques des dangers qui pourraient vous blesser ou blesser quelqu'un d'autres.

Veillez rester conscient de la sécurité en utilisant ce moteur. Nous avons fourni des informations de sécurité importantes dans une variété de formes, incluant :

- Étiquettes de sécurité : situées sur le moteur.
- Messages de sécurité : précédés par un symbole d'alerte de sécurité et l'un des trois mots de signal : DANGER, AVERTISSEMENT ou PRUDENCE.
Ces symboles d'alerte de sécurité signifient :



DANGER

Si vous ne suivez pas ces instructions, cela vous CAUSERA DES BLESSURES SÉRIEUSES ou PEUVENT MÊME ENTRAÎNER LA MORT.



AVERTISSEMENT

Si vous ne suivez pas ces instructions, cela vous CAUSERA DES BLESSURES SÉRIEUSES ou PEUVENT MÊME ENTRAÎNER LA MORT.



PRUDENCE

Si vous ne suivez pas ces instructions, cela vous CAUSERA DES BLESSURES SÉRIEUSES ou PEUVENT MÊME ENTRAÎNER LA MORT.

- En-têtes de sécurité : tels que INSTRUCTIONS DE SÉCURITÉ IMPORTANTES.
- Section de sécurité : telle que SÉCURITÉ DU MOTEUR.
- Instructions : Comment utiliser ce moteur correctement et sécuritairement.

Lisez et passez en revue ce manuel pour savoir comment rester sécuritaire et obtenir le maximum d'avantages et de plaisir de l'utilisation de ce moteur.

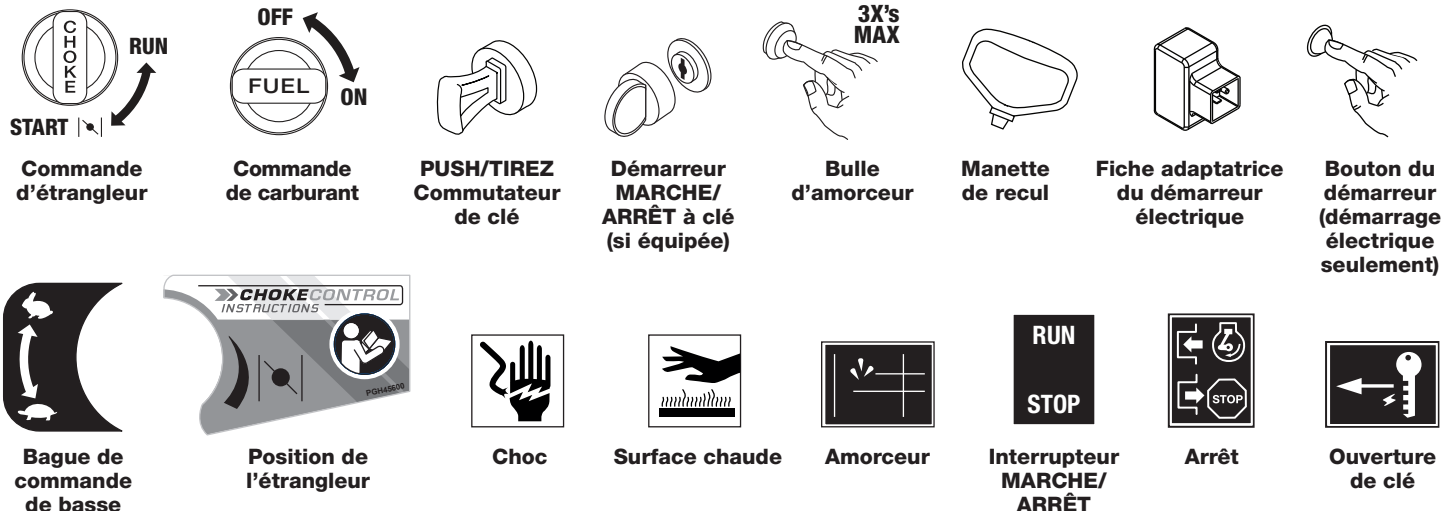
Symboles de sécurité et du moteur



AVERTISSEMENT

IMPORTANTS SYMBOLES DE SÉCURITÉ

Vous trouverez plus bas d'importants symboles de sécurité présents dans ce guide. Il est important de se familiariser avec ces symboles car ils sont importants pour un fonctionnement sûr et efficace de votre moteur.



Sécurité du moteur

⚠ AVERTISSEMENT

INSTRUCTIONS DE SÉCURITÉ IMPORTANTES

Les accidents se produisent moins fréquemment lorsque les instructions sont observées, que l'opérateur est conscient de la sécurité et que le moteur est correctement entretenu. Certains des risques les plus communs sont discutés ci-dessous, avec la meilleure façon de vous protéger ainsi que de protéger les autres.

- **Ce moteur est destiné à UTILISATION PAR TEMPS FROIDS SEULEMENT.**
- **UN STABILISATEUR DE CARBURANT EST RECOMMANDÉ POUR UN ENTREPOSAGE À LONG TERME.**

Responsabilités du propriétaire et de l'utilisateur

Les propriétaires et les utilisateurs devraient accomplir les suggestions suivantes :

- Lisez soigneusement le manuel du propriétaire.
- Suivez les instructions de ce manuel soigneusement.
- Familiarisez-vous avec toutes les commandes et sachez comment arrêter le moteur rapidement en cas d'urgence.
- Tenez les enfants loin du moteur et ne les laissez pas l'actionner. Tenez les enfants et les animaux de compagnie loin du lieu d'opération.
- Faites fonctionner ce moteur dans des secteurs bien aérés. NE JAMAIS faire fonctionner le moteur à l'intérieur.

Ravitaillement en combustible du moteur

L'essence est extrêmement inflammable, et la vapeur d'essence peut exploser. Lorsque vous ravitaillez le moteur, prenez les précautions suivantes :

- Le ravitaillement devrait se faire que lorsque le moteur est froid.
- Ravitaillez à l'extérieur dans des secteurs bien aérés.
- Le moteur ne doit pas tourner.
- Assurez-vous que le moteur est mis à la terre pour empêcher une étincelle d'électricité statique.
- Ne fumez pas ou n'utilisez pas de téléphone cellulaire en effectuant le ravitaillement.
- Restez loin des armes ou des étincelles.
- Si un déversement se produit, assurez-vous que toutes les zones sont sèches et que la vapeur s'est dissipée avant de mettre en marche le moteur.

Échappement

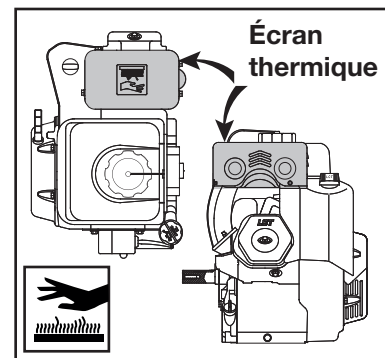
⚠ DANGER

RISQUE DE MONOXYDE DE CARBONE :

L'échappement du moteur est dangereux en raison de la chaleur intense et de l'émission de monoxyde de carbone, un gaz toxique. Éviter d'inhaler les vapeurs de l'échappement. Toujours faire fonctionner le moteur dans un endroit bien aéré. Ne jamais faire fonctionner le moteur à l'intérieur.

Écran à chaleur

- Le moteur à neige est muni d'un écran à chaleur conçu pour permettre au moteur de fonctionner à basse température (voir procédures de démarrage pour corriger l'emplacement de l'étrangleur afin de démarrer le moteur). L'écran à chaleur et les composants à l'intérieur sont chauds. S'assurer que le moteur ait suffisamment de temps pour refroidir avant de toucher à l'écran ou d'effectuer un entretien à l'intérieur de l'écran. Voir la section sur l'entretien pour plus d'informations.
- Pour prévenir les risques d'incendie et assurer une ventilation suffisante, garder le moteur à au moins 3 pieds (1 mètre) des murs d'un bâtiment et d'autres équipements durant le fonctionnement. Ne pas placer d'objets inflammables près du moteur.



Autre équipement

Passez en revue les instructions fournies avec l'équipement actionné par ce moteur pour toutes les mesures de sécurité additionnelles qui devraient être observées en même temps que le démarrage du moteur, l'arrêt, le fonctionnement ou l'engrenage de sécurité qui peuvent être nécessaires pour actionner l'équipement.

⚠ AVERTISSEMENT



**Ne pas toucher aux sections chaudes du moteur (voir illustration plus haut).
Les sections chaudes du moteur peuvent causer des brûlures graves.**

Commandes & fonctions

CONTRÔLES

1. Bouton de commande de l'étrangleur

Le bouton de commande de l'étrangleur ouvre et ferme la valve de l'étrangleur dans le carburateur. La position «DÉMARRAGE» enrichit le mélange de carburant pour faciliter le démarrage d'un moteur froid. La position «MARCHE» offre le mélange adéquat de carburant une fois que le moteur se réchauffe. Ne jamais tenter d'éteindre le moteur en utilisant le bouton de commande de l'étrangleur.

2. Bague de commande de basse vitesse (si équipée) (non illustrée)

La bague de commande de basse vitesse fait passer le moteur de haute vitesse à basse vitesse. Tournez la bague dans le sens des aiguilles d'une montre et mettez-la sur la position RUN (Marche) pour faire tourner le moteur à haute vitesse. Pour démarrer le moteur à froid, vous DEVEZ la régler sur la position RUN (Marche). Pour réduire la vitesse du moteur, tournez la bague dans le sens inverse des aiguilles d'une montre et réglez-la sur la position IDLE (Attente). N'UTILISEZ PAS L'APPAREIL LORSQUE LA VITESSE DU MOTEUR EST RÉGLÉE SUR LA POSITION IDLE (ATTENTE). Remarque : la commande de basse vitesse a été conçue pour être réglée soit sur la position RUN (Marche), soit la position IDLE (Attente).

3. Interrupteur à bascule MARCHE/ARRÊT du moteur

L'interrupteur à bascule du moteur actionne et désamorçe le système d'allumage. Tourner l'interrupteur du moteur en position MARCHE pour démarrer le moteur. Tourner l'interrupteur à bascule du moteur en position ARRÊT pour éteindre le moteur.

4. Bouton de commande de carburant

Le bouton de commande de carburant ouvre et ferme le passage entre le réservoir de carburant et le carburateur. Le bouton de commande de carburant doit être en position «MARCHE» pour que le moteur puisse fonctionner. Lorsque le moteur n'est pas utilisé, s'assurer de tourner le bouton de commande de carburant en position «ARRÊT».

5. Interrupteur à clé de sûreté

L'interrupteur à clé de sûreté permet au système électrique du moteur de fonctionner et doit être installé pour démarrer le moteur.

6. Pompe d'amorçage

Le système de pompe d'amorçage est conçu pour enrichir le mélange de carburant lors du démarrage d'un moteur froid. NE PAS trop amorcer le système de carburant. Pour bien utiliser le système d'amorçage, appuyer sur la pompe à 3 reprises maximum lors du démarrage d'un moteur froid. Ne pas utiliser le système d'amorçage pour tenter de démarrer un moteur chaud.

7. Poignée à rappel surdimensionnée

Le moteur est démarré en tirant sur la poignée à rappel. Toujours agripper fermement la poignée en plaçant le corps en position adéquate pour tirer. Pour démarrer le moteur :

- Tirer lentement la poignée à rappel jusqu'à sentir une résistance.
- Puis tirer fermement sur toute la longueur de corde pour démarrer le moteur.
- Ne jamais enrouler le pouce autour de la poignée à rappel au cas où le moteur effectuerait un recul.



Moteur combiné en option Marche/Arrêt et le contacteur d'allumage (3 et 5)

8. Bouchon de carburant surdimensionné

Le bouchon de carburant surdimensionné facilite l'ouverture et la fermeture lors du réapprovisionnement de carburant.

9. Démarreur électrique (le cas échéant)

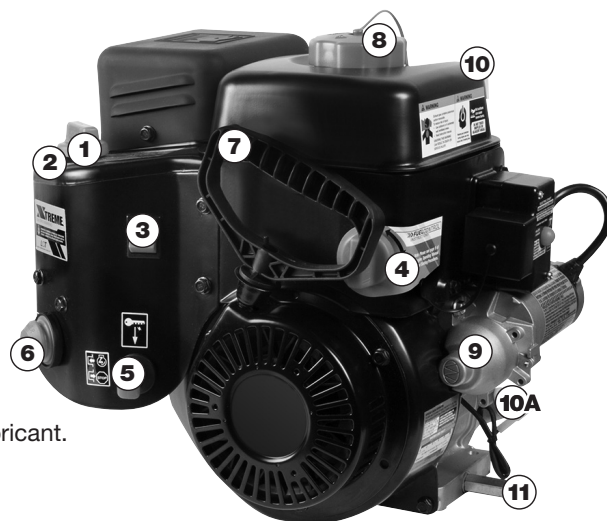
Le démarreur électrique est utilisé pour démarrer le moteur avec une rallonge de 120 VAC. Toujours utiliser une rallonge de calibre adéquat pour empêcher les dommages au démarreur électrique.

10. Grand tube de remplissage d'huile (le cas échéant)

Le tube est situé dans un emplacement commode pour ajouter de l'huile au moteur. Vérifier le niveau d'huile avec le bouchon de remplissage d'huile (10A) plus bas selon le guide d'utilisation du fabricant.

11. Vidange d'huile

La vidange de l'huile peut être situé de chaque côté et sur certains modèles étendre au-dessous du boîtier de recul.



Avant l'utilisation

VÉRIFICATIONS AVANT L'UTILISATION

Par mesure de sécurité et pour maximiser la durée de l'équipement, il est très important de prendre quelques minutes avant d'utiliser le moteur pour vérifier son état. S'assurer de régler tout problème identifié ou de faire appel à un technicien avant de faire fonctionner le moteur.

AVERTISSEMENT

Un mauvais entretien du moteur ou le défaut de régler un problème avant le fonctionnement pourrait engendrer un mauvais fonctionnement au cours duquel des blessures graves pourraient survenir.

Toujours procéder à une inspection avant chaque opération et corriger tout problème.

Avant de débiter les vérifications, s'assurer que le moteur soit de niveau et que le commutateur du moteur soit en position ARRÊT.

Vérifier l'état général du moteur

- Retirer tout excès de saleté ou de débris, surtout autour de l'écran à chaleur, du démarreur à rappel et des ailettes de la culasse.
- Inspecter le moteur à la recherche de signe de dommage ou de fuite d'huile.
- S'assurer que tous les écrans et couvercles soient en place. Tous les écrous, boulons et vis doivent être serrés.

Vérifier le moteur

- Vérifier le niveau d'huile du moteur. Faire fonctionner le moteur avec un faible niveau d'huile ou le mauvais type d'huile peut causer des dommages au moteur. Pour éviter les inconvénients d'un arrêt imprévu, toujours vérifier l'huile à moteur sur une surface de niveau avant le démarrage. Le moteur peut être expédié avec ou sans huile. L'huile 5W-30 est recommandée pour usage général. L'huile synthétique est une alternative acceptable (se référer à la Vérification du niveau d'huile du moteur pour les niveaux d'huile adéquats).
- Vérifier le niveau de carburant avant le démarrage. Étant donné que le moteur doit être froid avant le remplissage, démarrer avec un réservoir plein éliminera ou réduira les interruptions nécessaires au remplissage.

Démarrage électrique

- Déterminer dans quel type de prise de courant l'appareil sera branché. Si le démarreur est conforme aux exigences de courant 120 VCA, s'assurer d'utiliser l'entrée adéquate 120 VCA de la maison.
- Déterminer si la source d'alimentation à un système à trois fils de disjoncteur de fuite à la terre (GFI) en vérifiant auprès d'un électricien. Si la prise ne possède pas un tel système, NE PAS UTILISER LE DÉMARREUR ÉLECTRIQUE en raison du risque potentiel.

Vérifier tout équipement alimenté par ce moteur

Revoir et suivre toutes les consignes et procédures émises dans les directives fournies pour l'équipement alimenté avant de démarrer le moteur.

CONSIGNES DE FONCTIONNEMENT SÉCURITAIRE

Revoir toutes les consignes émises dans les directives fournies pour l'équipement alimenté par ce moteur relativement au démarrage, à l'arrêt ou au fonctionnement du moteur.

AVERTISSEMENT

Ce moteur est conçu pour UTILISATION PAR TEMPS FROID SEULEMENT.

AVERTISSEMENT

Le monoxyde de carbone est un gaz toxique. Le respirer peut causer une perte de conscience ou la mort. Éviter tout endroit ou toute démarche vous exposant au monoxyde de carbone.

AVERTISSEMENT

NE PAS placer les mains sur ou près du système d'échappement lors du démarrage.

Utilisation

AVANT DE DÉMARRER LE MOTEUR (fig. 1)

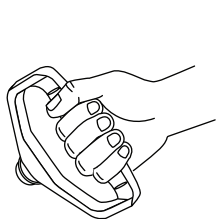
Avant de démarrer le moteur, prendre note des consignes suivantes :

- Laisser le moteur se réchauffer durant environ 15-20 secondes avant de tourner le bouton de l'étrangleur en position Marche.
 - Dans le cas d'une vitesse inconstante du moteur lorsque le bouton de l'étrangleur est tourné en position Marche.
 - Vérifier le niveau d'huile moteur :
1. Déplacer le bouton de l'étrangleur au milieu entre les positions Marche et Démarrage et laisser le moteur se réchauffer davantage.
 2. Lorsque le moteur s'est réchauffé, tourner le bouton de l'étrangleur en position Marche.

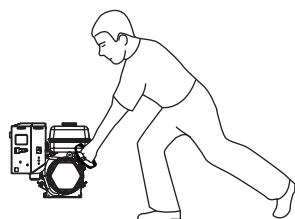
DÉMARRAGE DU MOTEUR (DÉMARRAGE MANUEL) (fig. 1)

1. Tourner le bouton de l'étrangleur en position DÉMARRAGE. Tournez la bague de commande de basse vitesse (si équipée) dans le sens des aiguilles d'une montre et mettez-la sur la position RUN (Marche). Remarque : Le moteur illustré sur ces pages ne présente pas d'option de commande de basse vitesse.
2. Sélectionner MARCHÉ sur l'interrupteur à bascule Marche/Arrêt.
3. Faire tourner le bouton de contrôle du carburant en position MARCHÉ.
4. Installation de l'interrupteur à clé de sûreté. Insérer l'interrupteur à clé de sûreté dans l'ouverture (NE PAS TOURNER L'INTERRUPTEUR À CLÉ DE SÛRETÉ). S'assurer d'entendre un «cléclic» lorsque l'interrupteur à clé de sûreté est inséré au fond.
5. Injecter du carburant au système : 3 amorces maximum. NE PAS trop amorcer le système. S'assurer de couvrir le trou de ventilation avant d'appuyer sur la pompe d'amorce. Tenir la pompe d'amorce en position comprimée durant une seconde à chaque pression. Répéter trois fois.
6. Tenir fermement la poignée de la corde. Placer le corps près du moteur. Tirer lentement la poignée jusqu'à sentir une résistance et tirer ensuite fermement et rapidement pour démarrer le moteur et éviter un recul. NE PAS se tenir loin du moteur ni étirer la poignée de la corde. Cela pourrait endommager le lanceur à rappel.

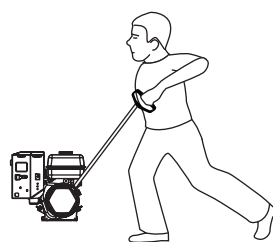
PROCÉDURE DE DÉMARRAGE À RAPPEL



1. Tenir fermement la poignée à rappel.



2. Placer le corps près du moteur.



3. TIRER LENTEMENT JUSQU'À SENTIR UNE RÉSISTANCE puis tirer fermement et rapidement la corde pour démarrer le moteur et éviter le recul.



⚠ AVERTISSEMENT

Ne pas se tenir éloigné du moteur ni trop étirer la poignée de la corde car cela endommagerait le lanceur à rappel.

DÉMARRAGE DU MOTEUR (DÉMARRAGE ÉLECTRIQUE) (fig. 1)

Suivre les étapes 1 à 5 de la procédure de démarrage du moteur.

6A. Utiliser une rallonge à 3 fils et brancher d'abord le cordon dans l'adaptateur du moteur du démarreur. Puis brancher le cordon dans une prise murale. Utiliser une rallonge de calibre suffisant (au moins 16 gage, à 3 fils, 13 ampli, non plus long que 25 pieds, et convenable pour l'utilisation à l'extérieur) pour prévenir les dommages au démarreur électrique.

7. Appuyer et tenir le bouton du démarreur.

⚠ PRUDENCE

Ne pas tenir le bouton du démarreur électrique enfoncé plus de 5 secondes. Attendre au moins 1 minute avant de tenter de nouveau le démarrage.

⚠ **IMPORTANT** : Après le démarrage du moteur, débrancher le cordon de l'adaptateur du démarreur.

⚠ AVERTISSEMENT



Si une rallonge additionnelle est requise, utiliser un cordon à trois fils. Ne pas excéder la longueur maximale de la rallonge fournie par le fabricant de l'équipement. Utiliser uniquement une rallonge de calibre AWG égal ou supérieur fourni par le fabricant de l'équipement.

Moteur combiné en option marche/arrêt et interrupteur à clé de sécurité

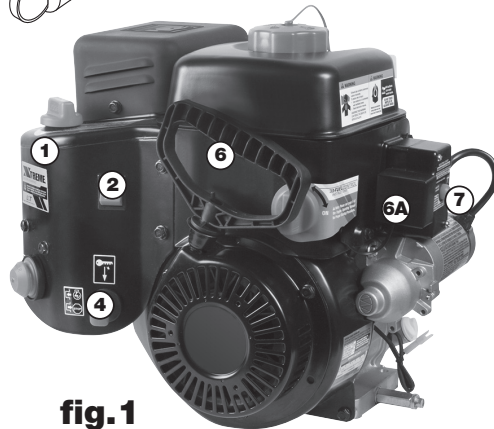


fig. 1

ARRÊT DU MOTEUR (fig. 2)

Pour arrêter le moteur d'urgence :

1. Basculer l'interrupteur à bascule en position ARRÊT ou
2. Retirer la clé de sûreté du moteur.

Dans des conditions normales, utiliser la procédure suivante :

1. Basculer l'interrupteur à bascule en position ARRÊT.
2. Retirer la clé de sûreté du moteur et la ranger dans un endroit sûr pour usage ultérieur.



Moteur combiné en option marche/arrêt et interrupteur à clé de sécurité



fig.2

UTILISATION À HAUTE ALTITUDE

Modification du Carburateur

Le mélange air-carburant standard du carburateur peut s'avérer trop épais dans le cadre d'une utilisation à haute altitude, ce qui peut nuire aux performances et entraîner une plus grande consommation de carburant. Adressez-vous à un centre de services agréé pour faire modifier le carburateur de votre moteur si vous prévoyez l'utiliser de façon continue à plus de 5 000 pieds. En l'absence d'une telle modification, vous risquez d'obtenir un rendement moteur insatisfaisant, d'encrasser les bougies d'allumage, de rencontrer des difficultés au démarrage et d'augmenter les émissions de gaz d'échappement.

En faisant modifier votre carburateur par un centre de services agréé, vous améliorerez le rendement du moteur et vous vous conformerez aux normes définies par l'Agence de protection de l'environnement (EPA) des États-Unis et le Comité des ressources de l'air (ARB) de Californie.

Avis Important

Une fois le carburateur modifié en vue d'une utilisation à haute altitude, le mélange air-carburant peut s'avérer trop dilué pour un fonctionnement à 5 000 pieds ou en dessous. Cela pourrait provoquer une surchauffe du moteur et engendrer des dommages importants. Si vous prévoyez utiliser un carburateur modifié pour la haute altitude à moins de 5 000 pieds, demandez à un centre de services agréé de rétablir ses caractéristiques d'origine.

Pour trouver le concessionnaire le plus proche, visitez notre site Web ou appelez notre numéro sans frais :

www.lctusa.com

Numéro sans frais : 1 800 558-5402

L'entretien de votre moteur

L'IMPORTANTANCE DE L'ENTRETIEN

Protégez-vous et votre équipement en entretenant correctement votre moteur. L'entretien approprié du moteur est nécessaire pour une utilisation sécuritaire, économique et sans panne.

AVERTISSEMENT

Entretenir ce moteur de façon négligente ou ne pas corriger un problème avant son utilisation, peut causer un mauvais fonctionnement dans lequel vous pouvez être sérieusement blessé ou même tué. Suivez toujours les recommandations et les programmes d'entretien et d'inspection dans ce manuel du propriétaire.

Pour vous aider à entretenir correctement votre moteur, les pages suivantes incluent des procédures pour des inspections de routine et des procédures d'entretien simples à l'aide d'outils à main de base. Les tâches d'entretien qui sont plus difficiles ou qui exigent des outils spéciaux, devraient être effectuées par des professionnels et plus normalement exécutées par un technicien d'entretien ou un mécanicien qualifié.

AVIS

Consulter le calendrier d'entretien pour connaître les écarts des conditions de fonctionnement normales et extrêmes.

INSTRUCTIONS DE SÉCURITÉ D'ENTRETIEN

Ce manuel contient des mesures de sécurité très importantes. Cependant, nous ne pouvons pas vous avertir de chaque risque imaginable qui peut surgir tout en exécutant l'entretien. Vous devez décider par vous-même, si vous devriez ou non exécuter une tâche donnée et toujours être conscient de la sécurité.

Précautions de sécurité

- S'assurer que le moteur ne fonctionne pas, que l'alimentation est COUPÉE, que le capuchon est retiré de la bougie et que le moteur est refroidi avant de débuter l'entretien ou les réparations. Ceci peut vous aider à éliminer plusieurs dangers potentiels, tels que :

Empoisonnement au monoxyde de carbone de l'échappement du moteur.

Faire fonctionner le moteur dans un secteur bien aéré.

Brûlures causées par des pièces chaudes.

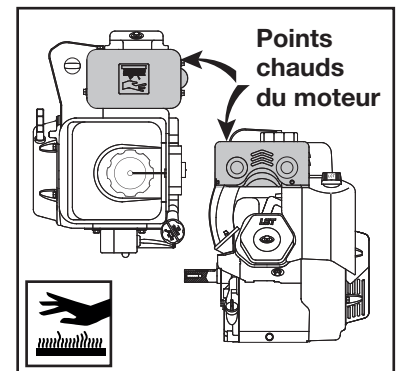
Laissez le moteur et le dispositif d'échappement du moteur se refroidir avant de les toucher.

Blessures causées par des pièces mobiles.

Ne pas faire fonctionner le moteur à moins d'avis contraire.

- Avant que vous commenciez l'entretien, lisez toutes les instructions et assurez-vous que vous avez les outils et les qualifications requises.
- Pour réduire la possibilité d'incendie ou d'explosion, soyez alerte en travaillant près de l'essence. Utilisez seulement un dissolvant non inflammable et non de l'essence, pour nettoyer les pièces. Gardez les cigarettes, les étincelles et les armes loin de toutes les pièces connexes au carburant.
- Nous suggérons de garder un extincteur tout près lors de l'exécution de l'entretien.

Votre concessionnaire de service connaît votre moteur et est équipé pour l'entretenir et le réparer.



L'entretien de votre moteur SUITE

REPLISSAGE

Lorsque le moteur est arrêté et refroidi, retirer le bouchon du réservoir de carburant et vérifier le niveau de carburant. Remplir le réservoir si le niveau est bas. Laisser suffisamment d'espace dans le réservoir pour permettre l'expansion du carburant causé par la chaleur. Cela empêchera le carburant d'être éjecté du réservoir sur une surface chaude. **NE JAMAIS REMPLIR LE RÉSERVOIR AU-DESSUS DES LIMITES INDIQUÉES SUR LE GOULOT DE REMPLISSAGE.**

⚠ AVERTISSEMENT

L'essence est très inflammable et explosive. Des brûlures et des blessures graves peuvent survenir en manipulant le carburant.

- Éteindre le moteur et garder les étincelles de chaleur et les flammes éloignées.
- Manipuler le carburant uniquement à l'extérieur.
- Essuyer tout déversement sur-le-champ.
- Laisser le moteur refroidir avant le remplissage.

Remplir dans un endroit bien aéré avec le moteur en position ARRÊT et froid. Éviter de renverser du carburant. **NE PAS** remplir au-dessus de la marque de la crépine de carburant. Le bouchon du réservoir devrait faire entendre un déclic lorsqu'il est bien fermé. Après le remplissage, refermer solidement le bouchon du réservoir. Remplir le moteur dans un endroit bien aéré et loin des flammes ou des étincelles pour éviter que des vapeurs de carburant entrent en contact. Garder le carburant éloigné des lampes témoins des appareils, barbecues, appareils électriques, outils électriques et autres appareils similaires.

Le carburant renversé constitue un risque d'incendie et cause des dommages à l'environnement. Essuyer les déversements sur-le-champ. Ne pas utiliser de téléphone cellulaire ni d'autre appareil électronique durant le remplissage. Prévenir l'électricité statique lors du remplissage. Le carburant peut endommager la peinture et le plastique. Ne pas renverser de carburant lors du remplissage du réservoir. Le dommage causé par le carburant renversé n'est pas couvert par la garantie.

RECOMMANDATIONS SUR LE CARBURANT

Utiliser de l'essence sans plomb avec un indice d'octane de 85 ou plus. Ces moteurs fonctionnent mieux avec l'essence sans plomb.

⚠ PRUDENCE

NE PAS utiliser d'essence éventée ou contaminée ni de mélange d'huile et d'essence. Éviter de laisser la saleté ou l'eau pénétrer dans le réservoir de carburant. Utiliser uniquement des contenants prévus pour le carburant et identifiés clairement.

⚠ PRUDENCE

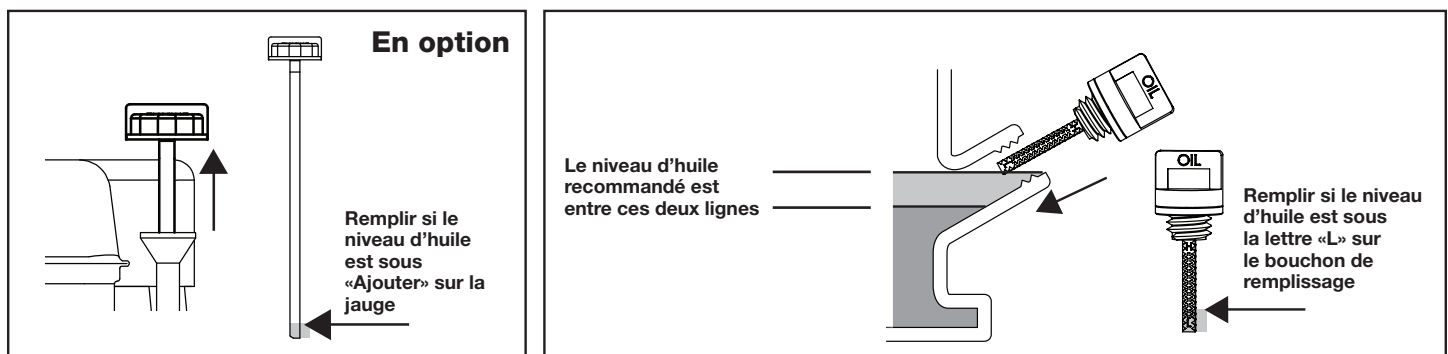
Ne pas utiliser les mélanges de carburant E85. Ce moteur n'est pas compatible avec E15.

Le contenu maximal en éthanol recommandé est de 10 %.

VÉRIFICATION DU NIVEAU D'HUILE DU MOTEUR

Vérifier le niveau d'huile lorsque le moteur est éteint et de niveau.

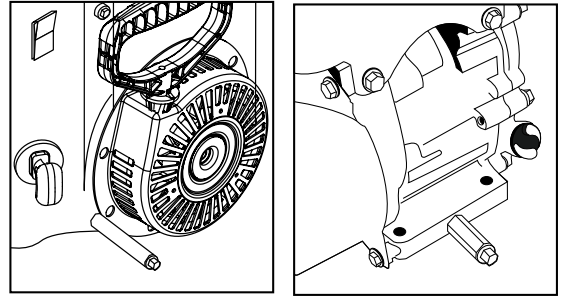
1. Retirer la jauge du bouchon de remplissage ou la longue jauge et l'essuyer.
2. Insérer la jauge dans le goulot de remplissage et tourner dans le sens des aiguilles d'une montre jusqu'au bout. Puis, retirer la jauge en la tournant dans le sens inverse. Vérifier le niveau d'huile indiqué sur la jauge.
3. Visser solidement le bouchon de remplissage de la jauge. Faire fonctionner le moteur avec un faible niveau d'huile peut endommager le moteur. Toujours vérifier l'huile du moteur avant de démarrer.



L'entretien de votre moteur SUITE

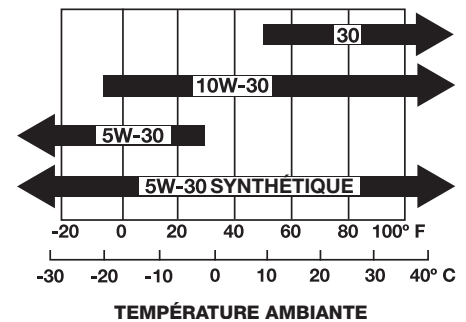
CHANGEMENT DE PÉTROLE DE MOTEUR

1. Commencer le changement de pétrole avec un moteur froid.
2. Le début et a couru le moteur pour 1-2 minutes.
3. Eteindre le moteur.
4. Placer le commutateur de bascule dans la position d'arrêt.
5. Enlever la clef de sécurité de neige.
6. Le corps du tube d'égout de pétrole devrait être soutenu comme le bouchon d'égout de pétrole est enlevé. Soutenir le corps du tube d'égout de pétrole avec un 14 mm la clé plate dans une direction dans le sens des aiguilles d'une montre. Desserrer le 10 mm le bouchon d'égout de pétrole en tournant le contraire—dans le sens des aiguilles d'une montre. Enlever le bouchon d'égout de pétrole et la rondelle de bousculade.
7. Drainer le pétrole complètement.
8. Vérifier le tube d'égout de pétrole est tendu dans le bloc de cylindre de moteur - 36 NM & 320-330 in. lbs.
9. Réinstaller le bouchon d'égout de pétrole et la rondelle de bousculade. La rondelle de bousculade doit être réinstallée entre le tube d'égout de pétrole et le bouchon d'égout de pétrole pour empêcher de la fuite de pétrole. Resserrer le bouchon d'égout de pétrole à 31 NM & 270-280 in. lbs.
10. Recharger le carter avec le pétrole par la neige instructions manuelles.
11. Vérification de l'huile avec une jauge ; visser la jauge casquette serrée , puis retirer et vérifier le niveau d'huile.



RECOMMANDATIONS D'HUILE À MOTEUR

- L'huile à moteur aecte la performance et la durée de vie. Utilisez l'huile détersive de véhicule moteur à cycle quatre temps.
- L'huile 5W-30 est recommandée pour usage général. Une huile synthétique est une alternative acceptable.
- La classification de viscosité d'huile SAE et de service se trouve sur l'étiquette API du récipient d'huile. SJ de catégorie de SERVICE D'API d'usage pétrole de moteur, ou mieux.



ENTRETIEN DE LA BOUGIE

Bougie F6RTC (torche) recommandée / F6RTP (le Platine) Facultatif

Références :

- La référence pour la fiche Champion est : RN9YC (certains tableaux indiquent RN9YCC)
- La référence pour la fiche NGK est : BPR6ES
- La référence pour la fiche BOSCH est : WR6DC

⚠ AVIS

L'utilisation de la mauvaise bougie peut endommager le moteur.

Changement de la bougie

⚠ AVERTISSEMENT



La boîte de radiateur peut être chaude et doit refroidir complètement avant toute intervention. Le silencieux et les composants à l'intérieur de l'écran à chaleur sont CHAUDS ! Laisser refroidir avant d'effectuer l'entretien de la bougie ou de toute zone à l'intérieur de l'écran à chaleur.

1. Lorsque le moteur est froid, retirer l'interrupteur à clé de sûreté
2. Débrancher le capuchon de bougie et retirer tout débris de la zone de la bougie avec de l'air à haute pression.
3. Retirer la bougie avec une clé à bougie 13/16 po.
4. Inspecter la bougie. La remplacer si les électrodes sont usées ou si l'isolateur est craqué ou éraflé. L'écart de la bougie devrait être réglé à 0,027 – 0,030 po.
5. Installer la bougie soigneusement pour éviter de déformer le filetage. Visser la bougie à la main jusqu'au bout.
6. Serrer la bougie avec une clé à bougie 13/16 po. Serrer 1/4 tour après que la bougie soit au fond.

⚠ AVIS

Une bougie lâche peut surchauffer et endommager le moteur. Trop serrer la bougie peut endommager le filetage dans la tête de cylindre.

7. Attacher le capuchon de bougie. S'assurer que le capuchon soit enclenché solidement en place.
8. Réinstaller l'interrupteur à clé de sûreté avant de tenter de démarrer le moteur.

Capacités de Pétrole de Moteur

136cc / 179cc / 208cc	16 oz (.473 liter)
254cc	20 oz (.591 liter)
291cc / 306cc	32 oz (.946 liter)
369cc / 414cc / 420cc	38 oz (1.123 liter)

Remarque: La capacité totale de pétrole pourrait être autant que quatre onces supplémentaires sur les volumes ci-dessus en raison de l'angle de montage du moteur et assurer un bon drainage.

Suggestions et conseils utiles

ENTREPOSAGE DE VOTRE MOTEUR

Préparation de l'entreposage

Une préparation d'entreposage appropriée aide à maintenir votre moteur propre et éviter les problèmes. Les étapes suivantes aideront à empêcher la rouille et la corrosion d'altérer le fonctionnement et l'apparence de votre moteur, et faciliteront le démarrage du moteur pour une utilisation ultérieure.

Nettoyage

Si le moteur a fonctionné, le laisser refroidir durant au moins 30 minutes avant de le nettoyer. Nettoyer toutes les surfaces extérieures et appliquer une légère couche de lubrifiant en vaporisateur.

- Ne pas vaporiser d'eau directement dans les ports d'échappement ou les ouvertures de l'écran thermique. L'eau qui traverse ces surfaces peut endommager le moteur. Utiliser un linge pour essuyer l'écran thermique si un nettoyage est requis.
- L'eau entrant en contact avec un moteur chaud peut causer des dommages. Si le moteur a fonctionné, laissez-le refroidir pour au moins une demi-heure avant le lavage.

Ajout de stabilisant d'essence pour prolonger la durée du carburant

⚠ AVIS

Un stabilisant d'essence est recommandé pour un entreposage prolongé.

1. Tourner le bouton de carburant rouge en position ARRÊT durant le fonctionnement du moteur et laisser le moteur tourner jusqu'à ce qu'il s'arrête. Mettre le moteur en position ARRÊT lorsqu'il commence à réagir pour éviter de l'endommager.
2. Ajouter le stabilisant d'essence en suivant les directives du fabricant
3. Tourner le bouton de carburant rouge en position MARCHÉ après l'ajout de stabilisant d'essence.
4. Redémarrer le moteur
5. Faire fonctionner le moteur à l'extérieur durant 1 minute pour s'assurer que l'essence traitée a remplacé l'essence non traitée dans le carburateur.
6. Ralentir la vitesse du moteur.
7. Répéter l'étape 1 précédente.

CALENDRIER D'ENTRETIEN

Conditions normales de fonctionnement (moins de 40 heures par année)

	À CHAQUE UTILISATION	PREMIER MOS	À TOUS LES 6 MOIS	UN FOIS PAR AN
Niveau d'huile à moteur	Vériez			
Huile à moteur		Remplacez	Remplacez	
Bougie*			Vériez	Remplacez
Cylindre / Ailettes de tête				Nettoyez
Fuites d'huile	Vériez/ Remplacez			
Boulons	Vériez/ Remplacez			
Pinces du tuyau de combustible	Vériez/ Remplacez			

* L'écart de la bougie devrait être réglé à 0,027 – 0,030 pouce.

Conditions de fonctionnement extrêmes (supérieures à 40 heures par année)

	À CHAQUE UTILISATION	TOUTES LES 40 HEURES
Niveau d'huile à moteur	Vériez	
Huile à moteur		Purger et remplacer
Bougie*		Remplacez
Cylindre / Ailettes de tête	Vériez	Nettoyez
Fuites d'huile	Vériez/ Remplacez	
Boulons	Vériez/ Remplacez	
Pinces du tuyau de combustible	Vériez/ Remplacez	

* L'écart de la bougie devrait être réglé à 0,027 – 0,030 pouce.

⚠ PRUDENCE

Effectuer un entretien adéquat est vital dans des conditions de fonctionnement extrêmes.

Suggestions et conseils utiles SUITE

PRÉCAUTIONS D'ENTREPOSAGE

Si votre moteur sera entreposé avec de l'essence dans le réservoir de carburant et dans le carburateur, il y a un risque possible d'allumage de la vapeur d'essence. Choisir un lieu de rangement bien aéré, loin de la chaleur, des étincelles, des flammes et de tout appareil qui fonctionne avec une flamme tel qu'une fournaise, un chauffe-eau ou un séchoir à linge. Évitez tout endroit avec un moteur électrique qui produit des étincelles, des ouvres portes de garage ou dans des endroits où des outils électriques sont utilisés.

Évitez l'entreposage dans des endroits très humides car cela causera la rouille et la corrosion. Laissez le levier de soupape de carburant dans la position arrêt pour réduire la possibilité de fuite de carburant.

Positionnez l'équipement an que le moteur soit de niveau pour éviter la fuite de carburant ou d'huile. Lorsque le dispositif d'échappement et le moteur sont froids, couvrez le moteur pour le protéger de la poussière. Un dispositif d'échappement et un moteur chaud peuvent mettre le feu ou faire fondre certains matériaux. N'utilisez pas une feuille de plastique comme cache-poussière. Une couverture non poreuse peut emprisonner l'humidité autour du moteur causant de la rouille et de la corrosion.

Retrait de l'entreposage

Vérifiez votre moteur comme décrit dans le chapitre AVANT UTILISATION de ce manuel. Si le ravitaillement en carburant est requis, utilisez seulement de l'essence fraîche.

TRANSPORT

Transportez le moteur seulement lorsqu'il est froid. Un dispositif d'échappement et un moteur chaud peuvent vous brûler et mettre le feu à certains matériaux. Gardez le moteur de niveau lors du transport an de réduire la possibilité de fuite de carburant. Positionnez la soupape de carburant à la position ARRÊT. Fixez le moteur pour empêcher le mouvement pendant le transport an de prévenir des blessures potentiels et des dommages au moteur.

Information technique & du consommateur

INFORMATION DU SYSTÈME DE CONTRÔLE D'ÉMISSION

Les actes pour la propreté de l'air des État-Unis et de la Californie

Les règlements EPA et de la Californie exigent que tous les fabricants fournissent des instructionsécrites décrivant l'utilisation et l'entretien des systèmes de contrôle d'émission.

Les instructions et les procédures suivantes doivent être suivies an de garder les émissions de votre moteur à l'intérieur des normes d'émission.

Modication et altération

La modication ou l'altération du système de contrôle d'émission peut faire augmenter les émissions au-delà de la limite légale. Parmi ces actes qui constitue la modication sont :

- Retrait ou altération de toutes les pièces des dispositifs d'échappement, d'admission ou de carburant.
- Altérer ou défaire la tringlerie du régulateur de régime ou du mécanisme d'ajustement de vitesse peut faire en sorte que le moteur fonctionne en dehors de ses paramètres de conception.

INFORMATION DU CONSOMMATEUR

Publications du fabricant

Ces publications vous fourniront l'information additionnelle pour entretenir et réparer votre moteur. Vous pouvez les commander en ligne dans la plupart des sites Web de détaillants de livres.

Réparation de petit moteur – Manuel de Chilton

Ce manuel couvre des procédures complètes d'entretien et de révision. Il est fait pour être utilisé par un technicien compétent.

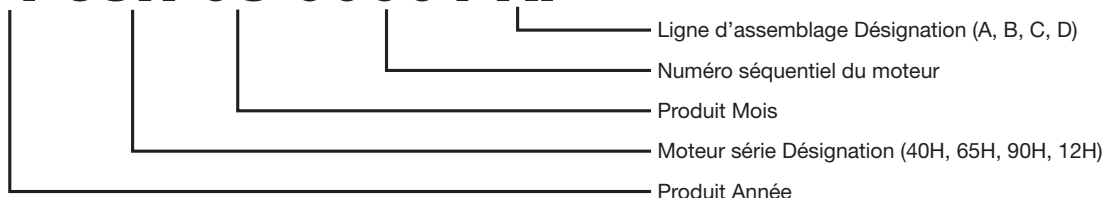
Information technique & du consommateur SUITE

NUMÉRO DE MODÈLE DU MOTEUR & SYSTÈME DE NUMÉROS DE SÉRIE

Les deux premières lignes d'un moteur le numéro est le numéro de modèle. Il est au format alphanumérique et gravé sur le côté du bloc à droite du recul. La troisième ligne est alphanumérique et est également le numéro de série.

Numéro de série du moteur Séquence

14 65H 03 00001 A:



Exemple :

Numéro de série du moteur 1465H0300001A représente :

14: 2014

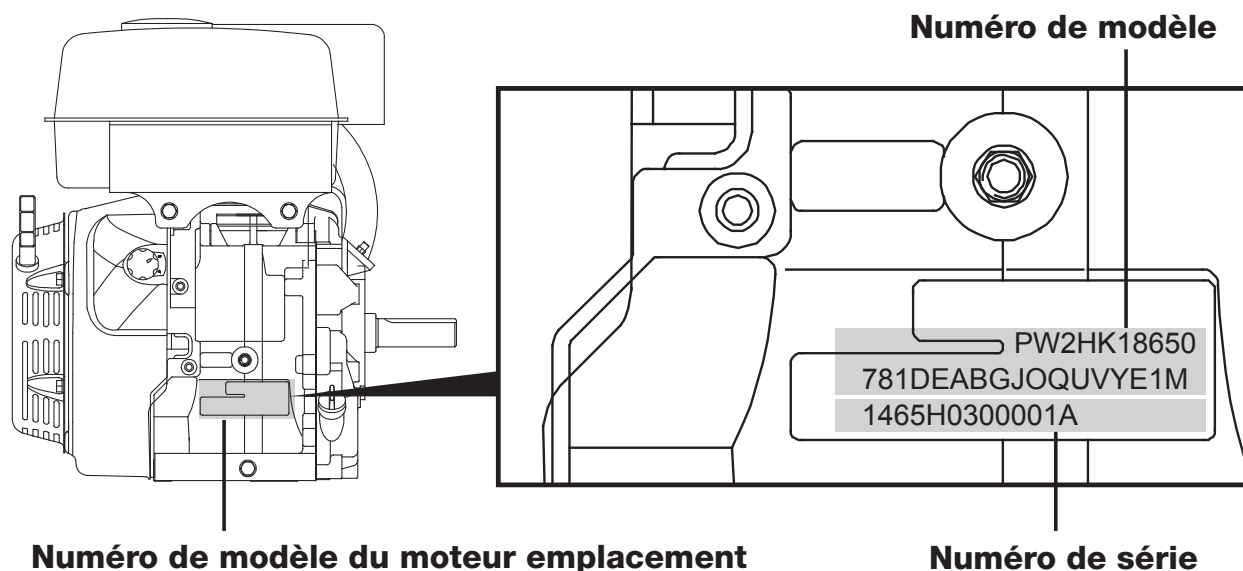
65H: 208cc moteur Horizontal série (se reporter au numéro de modèle du moteur système)

03: Mars

00001: Premier moteur produites au cours du mois de Mars

A: Horizontal ligne d'assemblage

Remarque : La LCT Numéro de modèle du moteur et système de numéros de série est sujet à être modifié ou modifié à tout moment.



Garantie

LIQUID COMBUSTION TECHNOLOGY, LLC DÉCLARATION DE GARANTIE DU SYSTÈME ANTIPOLLUTION

VOS DROITS ET OBLIGATIONS DANS LE CADRE DE LA GARANTIE

Les agences California Air Resources Board et United States Environmental Protection Agency (US EPA), ainsi que la société Liquid Combustion Technology, LLC (LCT) sont heureuses de vous présenter la garantie sur le système antipollution de votre petit moteur hors route 2016 et plus tard. En Californie, les nouveaux petits moteurs hors route doivent être conçus, construits et équipés afin d'être conformes aux normes anti-smog strictes de l'État. Liquid Combustion Technology, LLC est tenue de garantir le système antipollution de votre petit moteur hors route pour la période mentionnée ci-dessous, à condition qu'il n'ait fait l'objet d'aucune utilisation abusive, d'aucune négligence et d'aucun entretien inapproprié.

Votre système antipollution pourrait comprendre des pièces telles qu'un carburateur ou des réservoirs de carburant, des canalisations d'essence, des bouchons de réservoir d'essence, des soupapes, des absorbeurs de vapeur d'essence, des filtres, des tuyaux d'évacuation des vapeurs, des colliers de serrage, des connecteurs et d'autres éléments associés.

PÉRIODE DE GARANTIE DU FABRICANT

Ce système antipollution est garanti pendant deux ans. Toute pièce du système antipollution que s'avère défectueuse sera réparée ou remplacée par Liquid Combustion Technology, LLC.

RESPONSABILITÉS DU PROPRIÉTAIRE DANS LE CADRE DE LA GARANTIE

En tant que propriétaire d'un petit moteur hors route, vous êtes responsable d'effectuer l'entretien requis comme indiqué dans le manuel du propriétaire. Liquid Combustion Technology, LLC vous recommande de conserver tous les reçus couvrant l'entretien de votre petit moteur hors route. Cependant, Liquid Combustion Technology, LLC ne peut pas refuser la garantie uniquement sur la base d'absence de reçus ou votre incapacité à vous assurer que toutes les mesures d'entretien planifiées ont été exécutées.

En tant que propriétaire d'un petit moteur hors route, vous devez toutefois être conscient que Liquid Combustion Technology, LLC peut refuser votre garantie si votre petit moteur hors route ou une de ses parties tombe en panne à la suite d'un abus, d'une négligence, du mauvais entretien ou des modifications non approuvées.

Il vous revient de présenter votre petit moteur hors route dans un revendeur Liquid Combustion Technology, LLC aussitôt qu'un problème apparaît. Pour de plus amples renseignements concernant vos droits et responsabilités dans le cadre de la garantie, veuillez communiquer avec LCT à l'une des adresses suivantes :

Certified Parts Corporation
1029 South Jackson Street
Janesville, WI 53546
800-558-5402
www.lausonpower.com

Liquid Combustion Technology
100 Roe Road
Travelers Rest, SC 29690
877-274-2214
www.lctusa.com
support@lctlc.com

COUVERTURE GÉNÉRALE DE GARANTIE ANTIPOLLUTION

La demande de certification de Liquid Combustion Technology, LLC garantit à l'acheteur final et à chaque acheteur suivant que le moteur est :

conçu, construit et équipé de manière à respecter toutes les réglementations applicables;

exempt de défauts de matériaux et de fabrication causant la non-conformité d'une pièce garantie qui est identique à tous égards importants à la pièce décrite dans la demande de certification de Liquid Combustion Technology, LLC.

La période de garantie commence à la date où le moteur ou l'équipement est livré à un acheteur final. La période de garantie est de deux ans.

Sous réserve de certaines conditions et exclusions énumérées ci-dessous, la garantie sur les pièces du système antipollution est la suivante :

Toute pièce garantie, pour laquelle les instructions écrites fournies ne prévoient pas le remplacement dans le calendrier des entretiens requis, est garantie pour la période de garantie spécifiée ci-dessus. Si la pièce en question s'avère défectueuse pendant la période couverte par la garantie, elle sera réparée ou remplacée par Liquid Combustion Technology, LLC selon le paragraphe (4) ci-dessous. Toute pièce réparée ou remplacée en vertu de la garantie est garantie pour le solde de la période de garantie.

Toute pièce garantie, pour laquelle les instructions écrites fournies prévoient seulement une inspection régulière, est garantie pour la période de garantie spécifiée ci-dessus. Toute pièce réparée ou remplacée en vertu de la garantie est garantie pour le solde de la période de garantie.

Toute pièce garantie, pour laquelle les instructions écrites fournies prévoient le remplacement dans le calendrier des entretiens requis, est garantie pour la période précédant le premier remplacement prévu. Si la pièce en question s'avère défectueuse pendant la période précédant le premier remplacement prévu, elle sera réparée ou remplacée par Liquid Combustion Technology, LLC selon le paragraphe (4) ci-dessus. Toute pièce réparée ou remplacée en vertu de la garantie est garantie pour le solde de la période précédant le premier remplacement prévu pour la pièce en question.

La réparation ou le remplacement de toute pièce garantie en vertu des dispositions de la présente seront réalisés dans un centre de réparation agréé, sans frais pour le propriétaire.

Nonobstant les dispositions de la présente, les réparations ou les opérations de maintenance couvertes par la garantie seront offertes dans tout centre de distribution Liquid Combustion Technology, LLC franchisé pour l'entretien de ce type de moteur.

Aucun frais ne sera imposé au propriétaire pour l'émission du diagnostic portant directement sur une pièce défectueuse couverte par la garantie antipollution, à condition que ce diagnostic soit réalisé dans un centre de réparation agréé.

Liquid Combustion Technology, LLC est responsable des dommages à d'autres composants du moteur susceptibles d'avoir été causés par la défaillance d'une pièce garantie encore sous garantie.

Liquid Combustion Technology, LLC assurera, tout au long de la période de garantie du moteur spécifiée ci-dessus, un approvisionnement suffisant de pièces garanties pour satisfaire la demande prévue pour de telles pièces.

Des pièces de rechange peuvent être utilisées pour des mesures de maintenance ou des réparations couvertes par la garantie, sans frais pour le propriétaire. Une telle utilisation n'affectera pas les obligations de garantie de Liquid Combustion Technology, LLC.

Des ajouts ou des pièces modifiées qui ne sont pas exemptés par Air Resource Board ne peuvent pas être utilisés. L'utilisation par l'acheteur final de toute pièce non exemptée ou modifiée peut justifier le refus d'une réclamation au titre de la garantie. Liquid Combustion Technology, LLC ne sera pas responsable pour des dommages aux pièces sous garantie causés par l'utilisation d'une pièce non exemptée ou modifiée.

PIÈCES GARANTIES

La réparation ou le remplacement de toute pièce garantie, admissible à la garantie, peuvent être exclus de celle-ci si Liquid Combustion Technology, LLC peut prouver que le moteur ou l'équipement ont fait l'objet d'un abus, d'une négligence ou d'un entretien incorrect, ou si cet abus, cette négligence ou l'entretien incorrect ont été causés de façon directe par la nécessité de réparation ou de remplacement de la pièce en question. Nonobstant cette situation, tout ajustement d'une pièce équipée d'un dispositif de limitation correctement installé et en bon état de fonctionnement, demeure admissible à la garantie. Les listes de pièces suivantes sont couvertes par la garantie si l'usine a installé les éléments ci-dessous :

- (1) Système de mesure du carburant
 - (i) Carburateur et pièces internes (et/ou régulateur de pression ou système d'injection de carburant)
 - (ii) Système de contrôle de rapport air/carburant
 - (iii) Système d'enrichissement pour démarrage à froid
- (2) Système d'injection d'air
 - (i) Système d'admission contrôlée d'air chaud
 - (ii) Collecteur d'admission
 - (iii) Filtre à air
- (3) Système d'allumage
 - (i) Bougies d'allumage
 - (ii) Système d'allumage magnétique ou électronique
 - (iii) Système d'avance/de retard à l'allumage
- (4) Système de recirculation des gaz d'échappement (RGE)
 - (i) Corps de vanne RGE et entretoise de carburateur, le cas échéant
 - (ii) Système de contrôle et d'analyse du taux RGE
- (5) Système d'injection d'air
 - (i) Pompe à air ou vanne d'impulsion
 - (ii) Vannes de répartition du flux
 - (iii) Collecteur de distribution
- (6) Catalyseur ou système à réaction thermique
 - (i) Convertisseur catalytique
 - (ii) Réacteur thermique
 - (iii) Collecteur d'échappement
- (7) Collecteurs de particules
 - (i) Filtres, dépoussiéreurs électriques et tout autre dispositif utilisé pour collecter les particules émises
- (8) Divers éléments utilisés dans les systèmes ci-dessus
 - (i) Vannes et interrupteurs sensibles au vide, à la température et au temps
 - (ii) Unités de commande électronique
 - (iii) Flexibles, courroies, connecteurs et autres unités
- (9) Composantes relatives aux émissions par évaporation
 - (i) Canalisation d'essence
 - (ii) Colliers de serrage des canalisations d'essence
 - (iii) Réservoir d'essence et bouchon
 - (iv) Réservoir à charbon activé et composantes correspondantes
 - (v) Véhicule télécommandé

