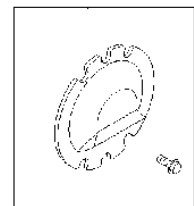
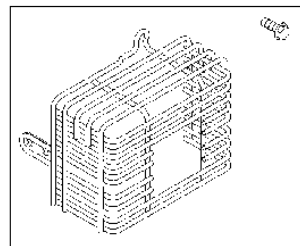
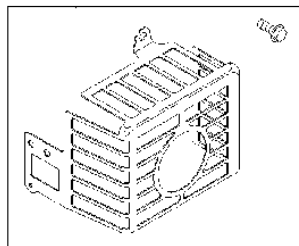
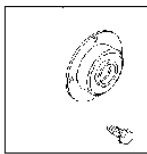
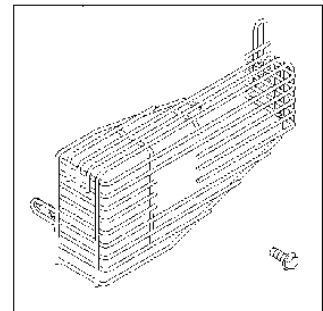
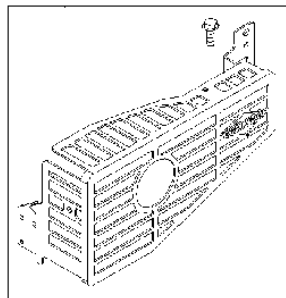
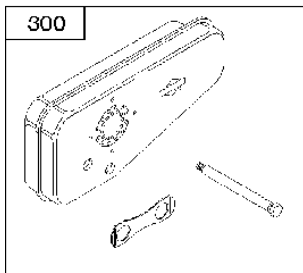
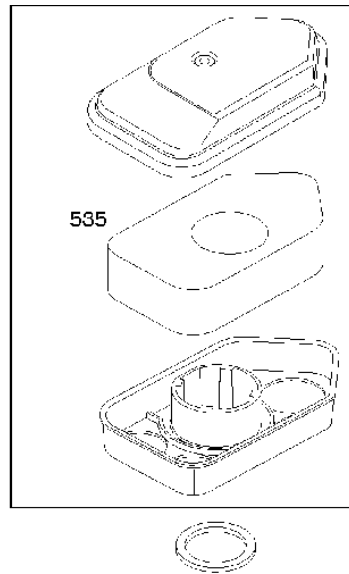




# SPARE PARTS LIST

ENGINES & TRANSMISSIONS

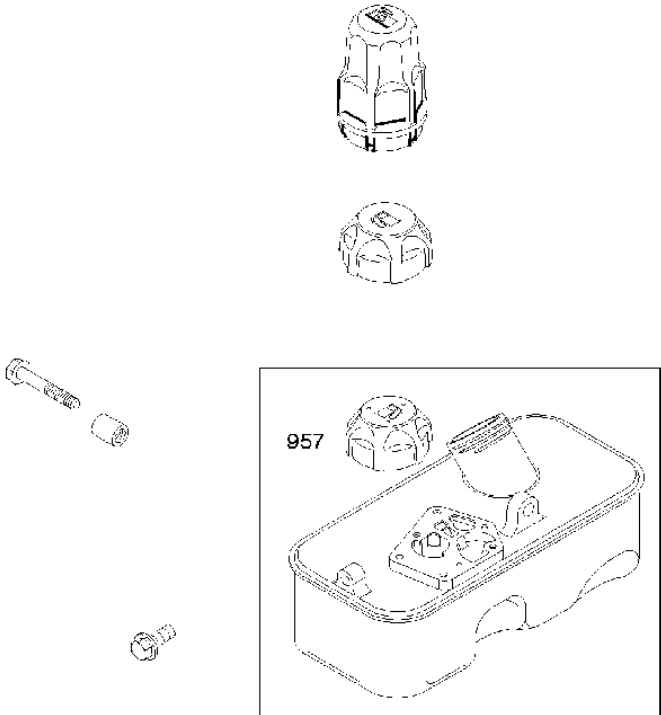
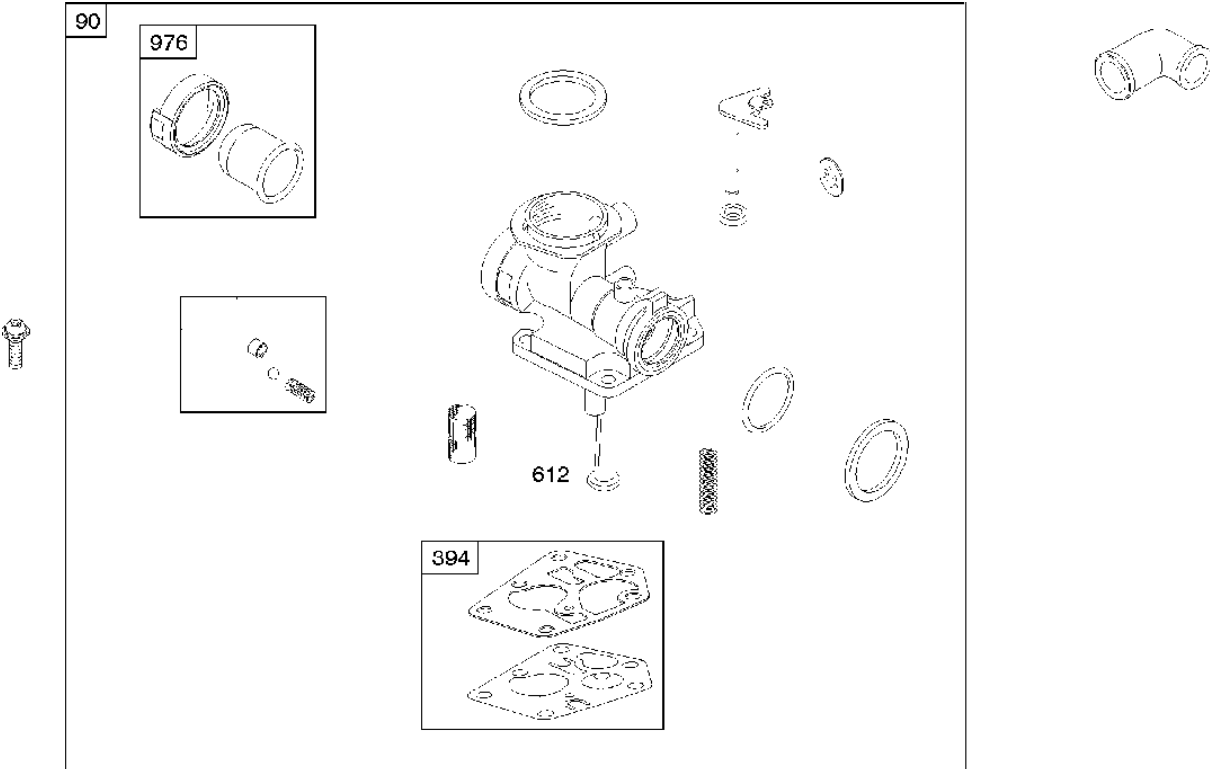
BRIGGS & STRATTON ENGINES,  
10T5020188H1, 2017-01



## Air filter

BRIGGS &amp; STRATTON ENGINES, 10T5020188H1, 2017-01

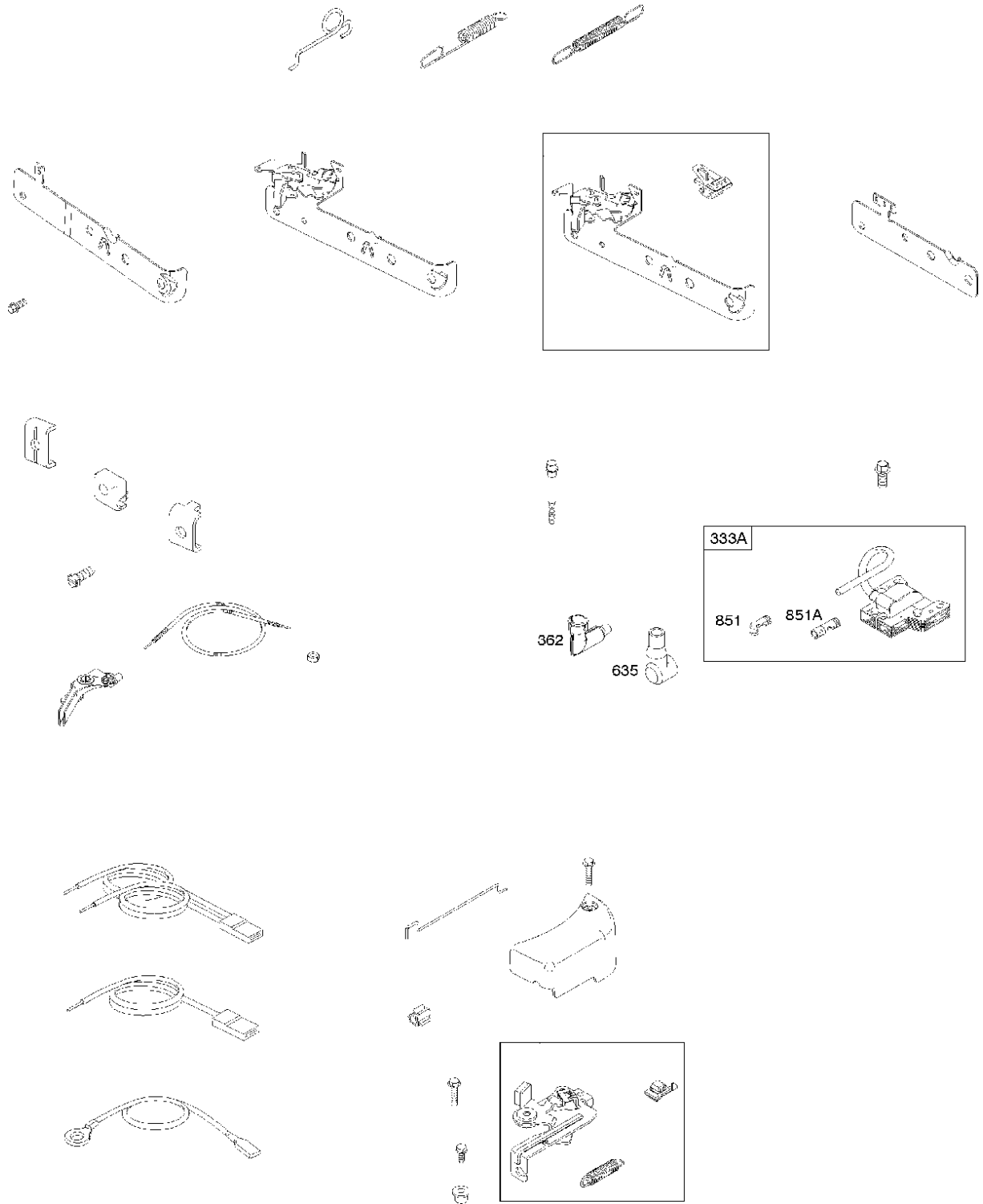
Ref	Part No	Description	Remark	QTY KIT
300	582 31 08-03	MUFFLER	692307	1
535	585 61 49-01	AIR FILTER	698369	1
N/A	589 66 98-94	SERVICE KIT	Tune up kit, Workshop package, 992230	1
N/A	589 66 98-16	AIR FILTER	Foam, Workshop package, 4216	6



## Carburetor

BRIGGS &amp; STRATTON ENGINES, 10T5020188H1, 2017-01

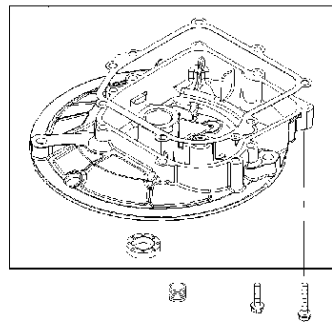
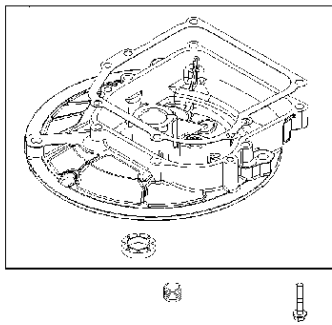
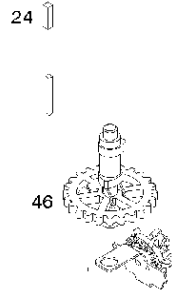
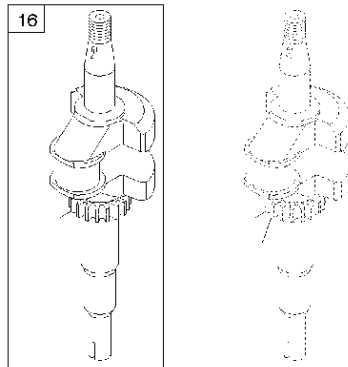
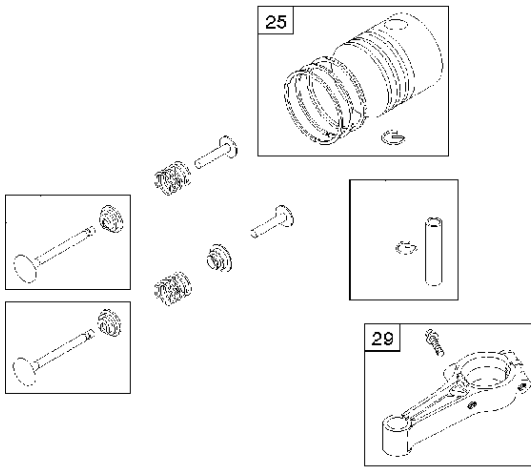
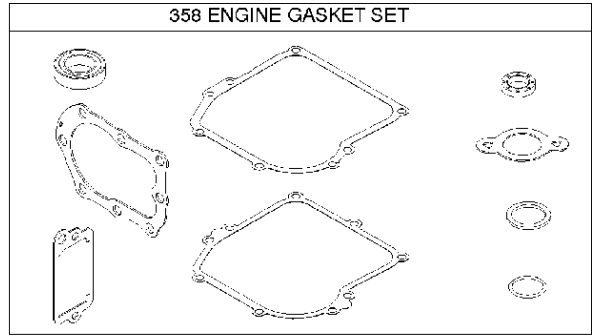
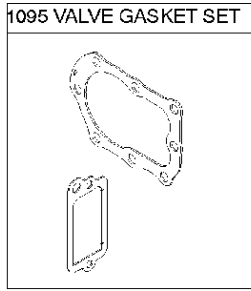
Ref	Part No	Description	Remark	QTY KIT
90	585 61 64-01	CARBURETTOR	795477	1
394	585 61 51-01	DIAPHRAGM	795083	1
612	589 66 98-96	TUBE	496046S	1
957	585 61 52-01	CAP	497929S	1
976	582 31 08-54	PURGE	694394	1
N/A	589 66 98-09	FUEL CAP	Workshop package, 4150	20
N/A	589 66 98-06	FUEL CAP	Workshop package, 4132	5
N/A	589 66 98-11	PURGE	Workshop package, 4178	5



## Controls

BRIGGS &amp; STRATTON ENGINES, 10T5020188H1, 2017-01

Ref	Part No	Description	Remark	QTY KIT
333A	585 61 68-01	ARMATURE	591420	1
362	585 39 09-01	SPARK PLUG CAP	793351	1
635	582 31 35-85	SPARK PLUG CAP	66538S	1
851	584 96 04-01	SPARK PLUG CAP	493880S	1
851A	585 24 24-01	SPARK PLUG CAP	692424	1





## Crankshaft

BRIGGS &amp; STRATTON ENGINES, 10T5020188H1, 2017-01

Ref	Part No	Description	Remark	QTY KIT
16	589 66 98-76	CRANKSHAFT	796216	1
24	582 28 90-90	WOODRUFF KEY	222698S	1
25	585 61 66-01	PISTON	795691	1
29	585 61 72-01	CONNECTING ROD	699654	1
46	585 61 69-01	CAMSHAFT	691998	1
358	585 61 59-01	GASKET KIT	590777	1
1095	585 61 58-01	GASKET KIT	498526	1
N/A	589 66 98-12	KEY	Flywheel, Workshop package, 4181	10
N/A	589 66 98-07	KEY	Flywheel, Workshop package, 4144	50

**WARNING LABEL**

**REQUIRED** when replacing parts with warning labels affixed.

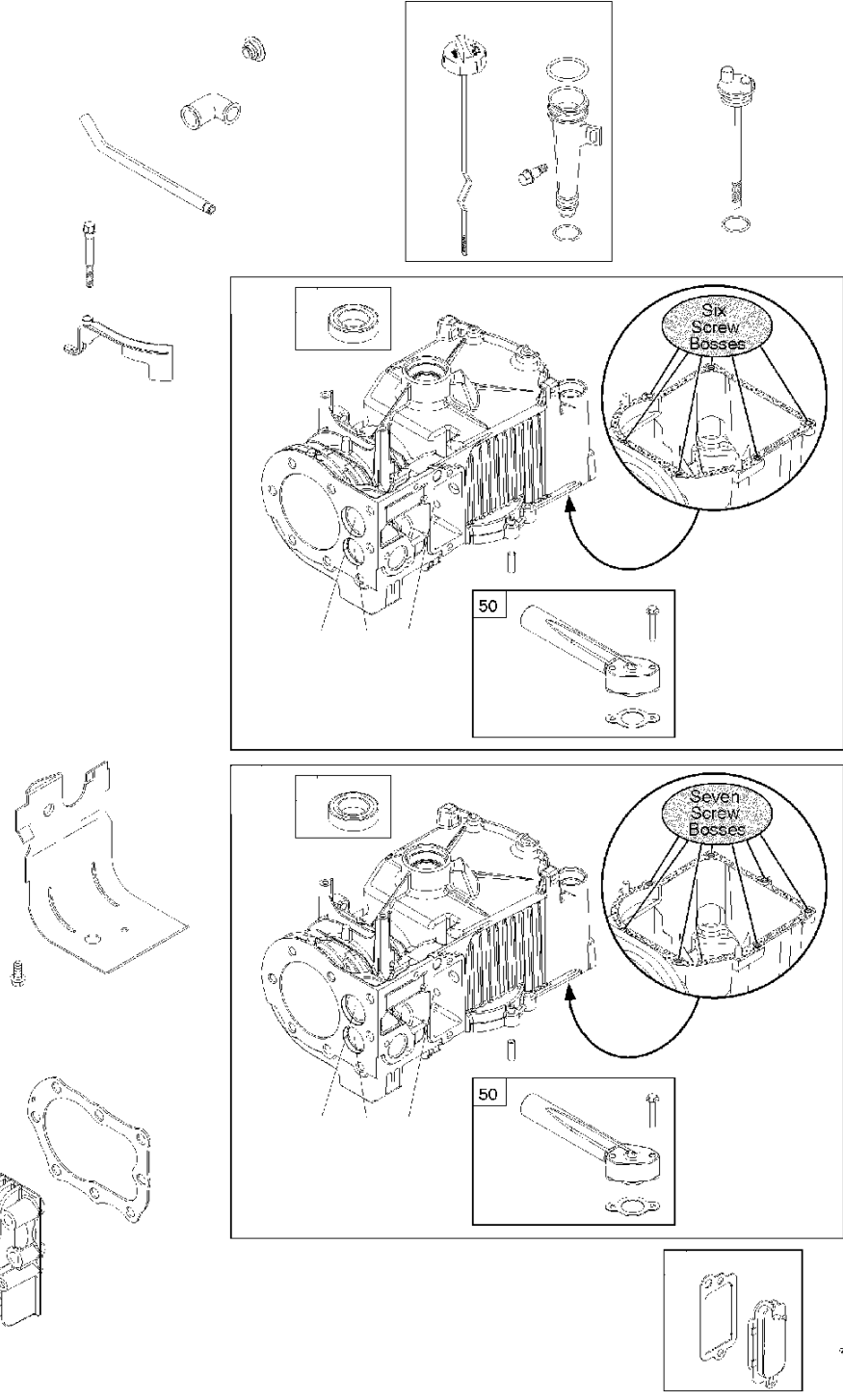
**WARNING LABEL**

**REQUIRED** when replacing parts with warning labels affixed.

**OPERATOR'S MANUAL**

**REPAIR MANUAL**

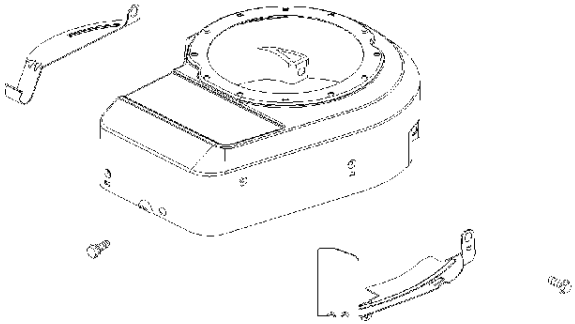
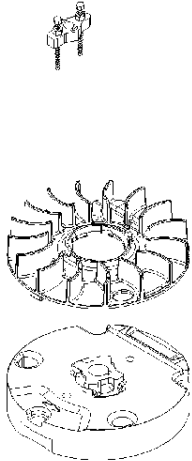
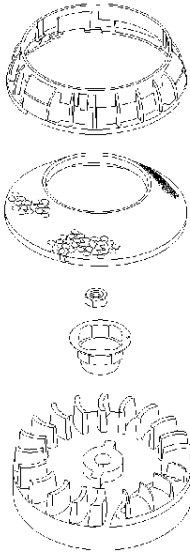
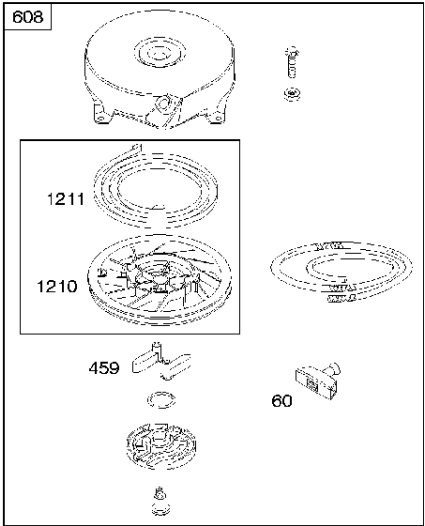
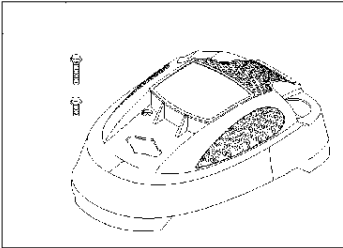
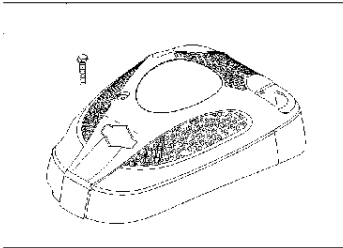
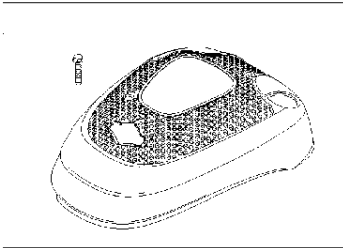
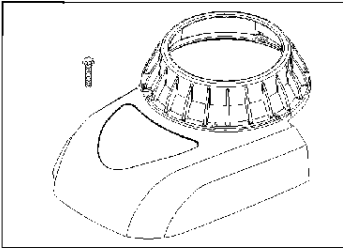
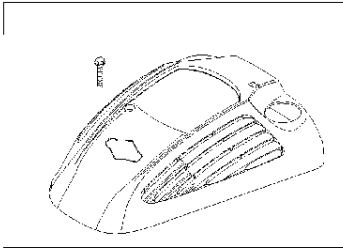
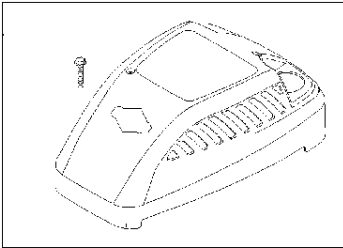
**EMISSIONS LABEL**



Cylinder

BRIGGS & STRATTON ENGINES, 10T5020188H1, 2017-01

Ref	Part No	Description	Remark	QTY KIT
50	525 26 67-01	INLET PIPE ASSY	699644	1
337	582 31 23-71	SPARK PLUG CAP	796112S	1
362	585 39 09-01	SPARK PLUG CAP	793351	1
635	582 31 35-85	SPARK PLUG CAP	66538S	1



## Starter

BRIGGS &amp; STRATTON ENGINES, 10T5020188H1, 2017-01

Ref	Part No	Description	Remark	QTY KIT
60	585 61 53-01	GRIP	691915	1
459	582 31 05-24	GRIPPER	281505S	1
608	585 61 55-01	ROPE	499706	1
1210	585 61 54-01	PULLEY	499901	1
1211	585 61 54-01	PULLEY	499901	1
N/A	589 66 98-11	PURGE	Workshop package, 4204	5