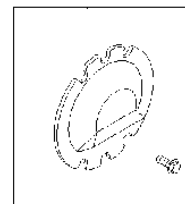
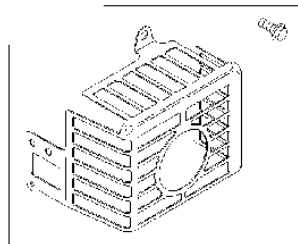
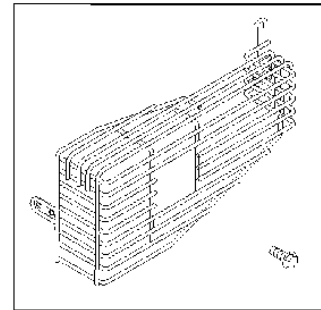
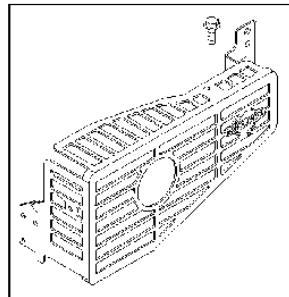
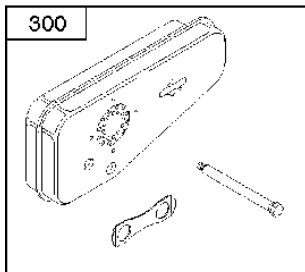
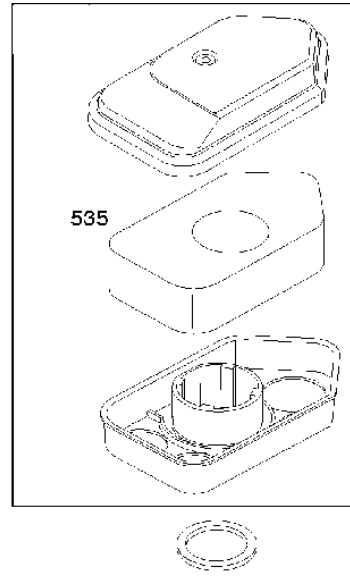
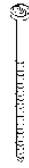
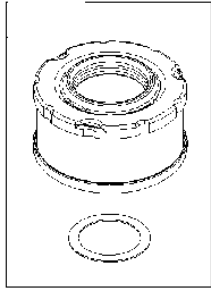
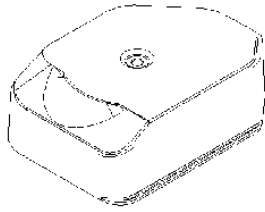




SPARE PARTS LIST

ENGINES & TRANSMISSIONS

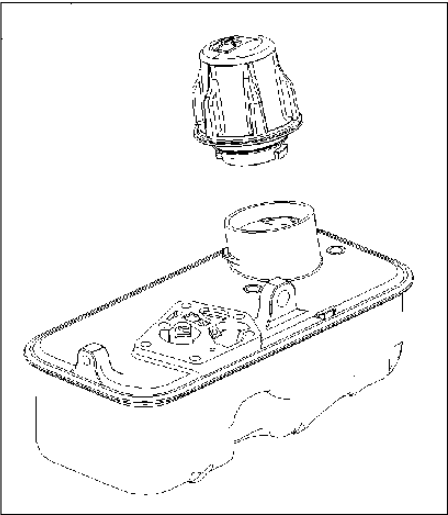
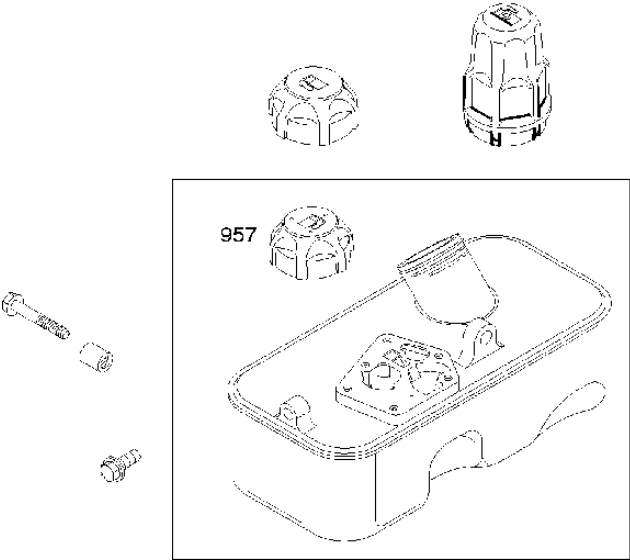
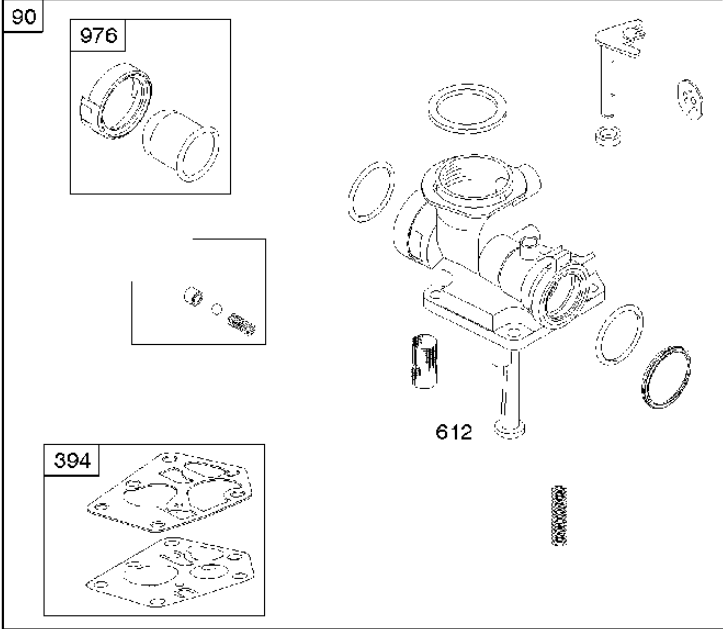
BRIGGS & STRATTON ENGINES,
10T8020136H1, 2017-01



Air filter

BRIGGS & STRATTON ENGINES, 10T8020136H1, 2017-01

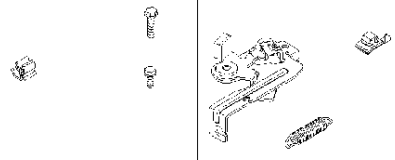
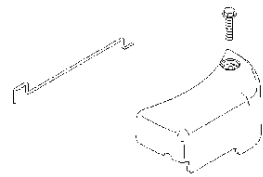
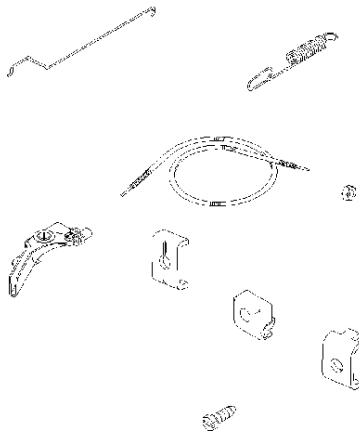
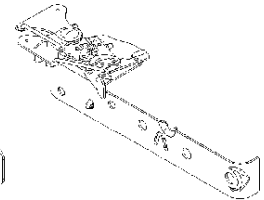
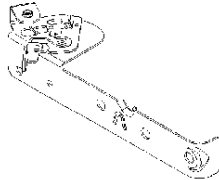
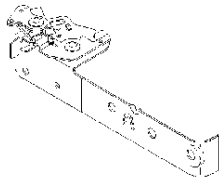
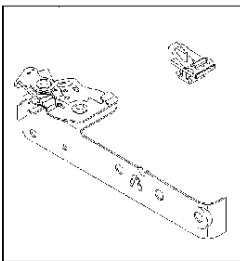
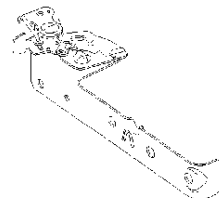
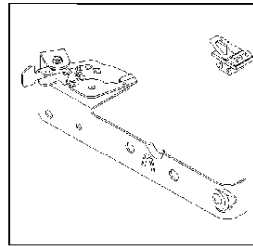
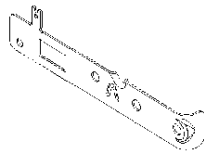
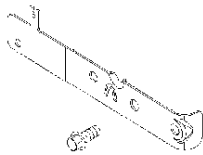
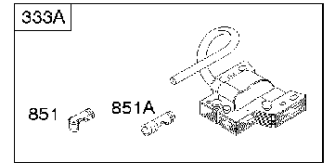
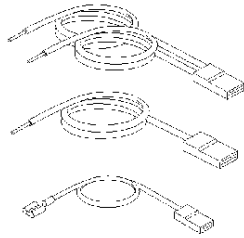
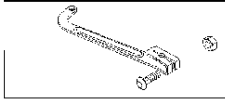
Ref	Part No	Description	Remark	QTY KIT
300	582 31 08-03	MUFFLER	692307	1
535	585 61 49-01	AIR FILTER	698369	1
N/A	589 66 98-16	AIR FILTER	Foam, Workshop package, 4216	6
N/A	589 66 98-94	SERVICE KIT	Tune up kit, Workshop package, 992230	1



Carburetor

BRIGGS & STRATTON ENGINES, 10T8020136H1, 2017-01

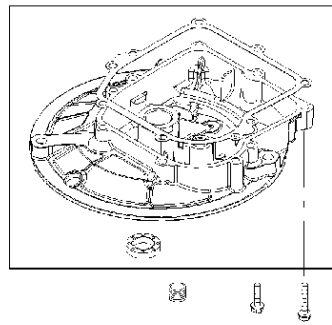
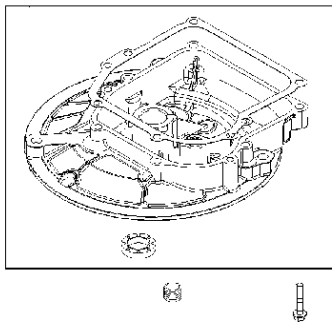
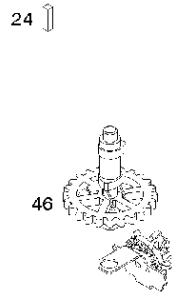
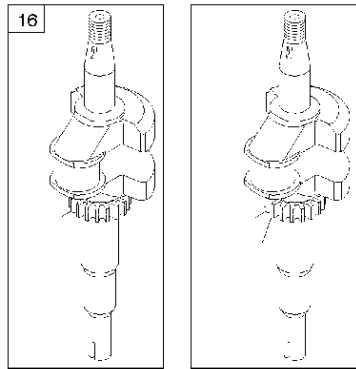
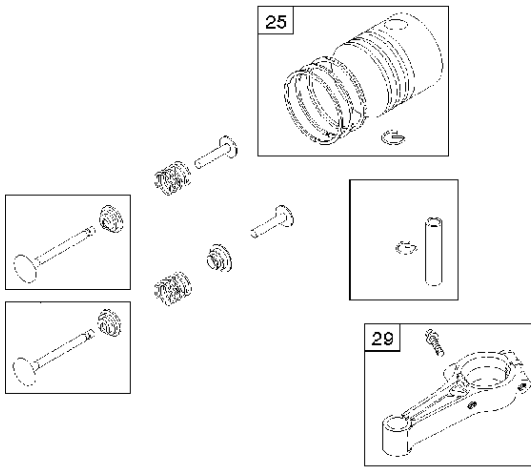
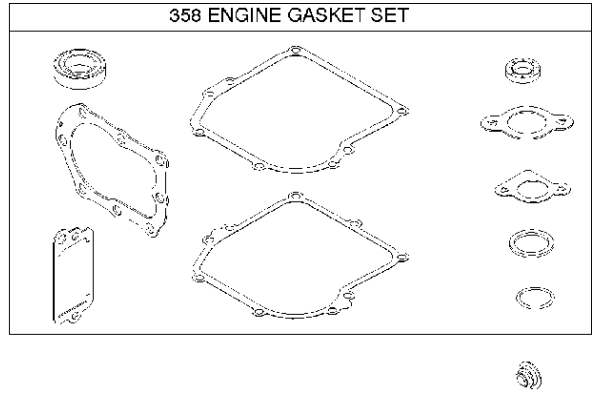
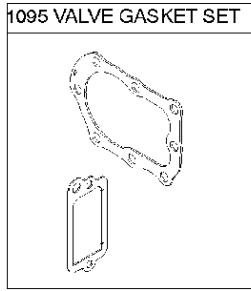
Ref	Part No	Description	Remark	QTY KIT
90	582 28 75-90	CARBURETTOR	798758	1
394	585 61 51-01	DIAPHRAGM	795083	1
612	589 66 98-96	TUBE	496046S	1
957	585 61 52-01	CAP	497929S	1
976	582 31 08-54	PURGE	694394	1
N/A	589 66 98-09	FUEL CAP	Workshop package, 4150	20
N/A	589 66 98-06	FUEL CAP	Workshop package, 4132	5
N/A	589 66 98-11	PURGE	Workshop package, 4178	5



Controls

BRIGGS & STRATTON ENGINES, 10T8020136H1, 2017-01

Ref	Part No	Description	Remark	QTY KIT
333A	585 61 68-01	ARMATURE	591420	1
362	585 39 09-01	SPARK PLUG CAP	793351	1
635	582 31 35-85	SPARK PLUG CAP	66538S	1
851	584 96 04-01	SPARK PLUG CAP	493880S	1
851A	585 24 24-01	SPARK PLUG CAP	692424	1



Crankshaft

BRIGGS & STRATTON ENGINES, 10T8020136H1, 2017-01

Ref	Part No	Description	Remark	QTY KIT
16	589 66 98-76	CRANKSHAFT	796216	1
24	582 28 90-90	WOODRUFF KEY	222698S	1
25	585 61 66-01	PISTON	795691	1
29	585 61 72-01	CONNECTING ROD	699654	1
46	585 61 69-01	CAMSHAFT	691998	1
358	585 61 59-01	GASKET KIT	590777	1
1095	585 61 58-01	GASKET KIT	498526	1
N/A	589 66 98-12	KEY	Flywheel, Workshop package, 4181	10
N/A	589 66 98-07	KEY	Flywheel, Workshop package, 4144	50

WARNING LABEL

WARNING

Read and follow all safety instructions on the product label or any label on the engine.

Exhaust is hot. Allow engine to cool at least 5 minutes before refueling.

Engines emit carbon monoxide. **DO NOT** use in enclosed space.

While in use, temperature may exceed 150°F. Do not touch hot parts.

REQUIRED when replacing parts with warning labels affixed.

WARNING LABEL



REQUIRED when replacing parts with warning labels affixed.

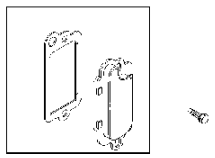
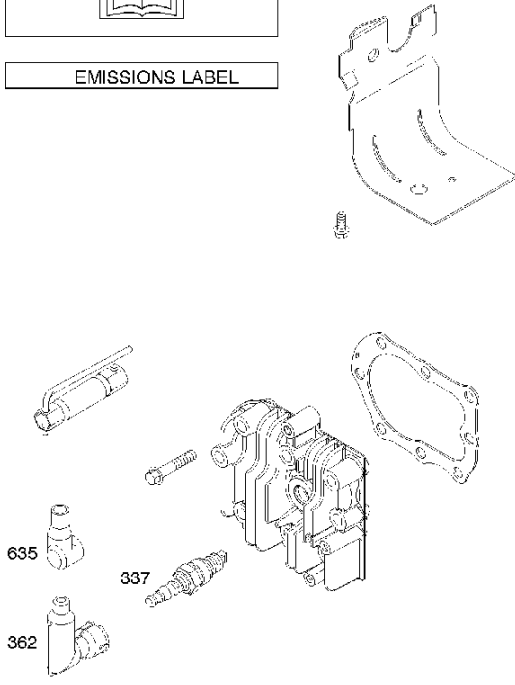
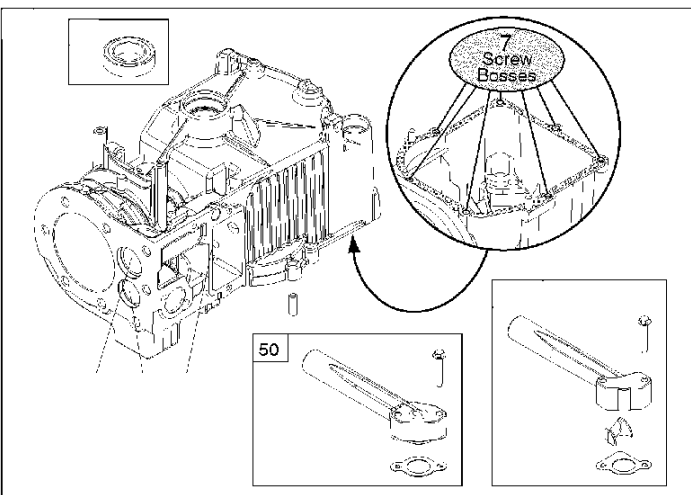
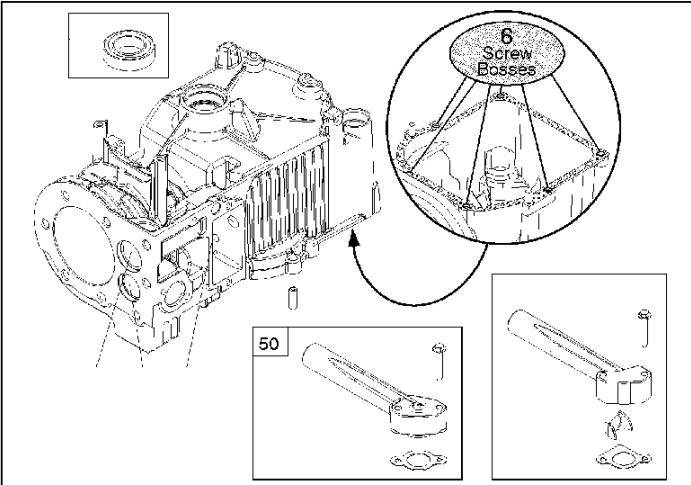
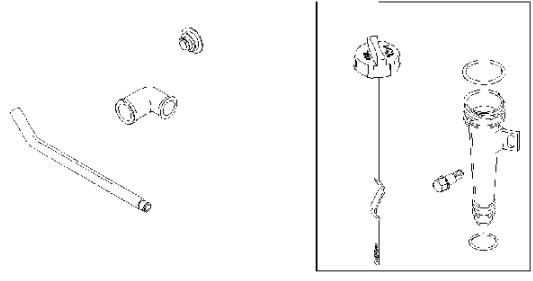
OPERATOR'S MANUAL



REPAIR MANUAL



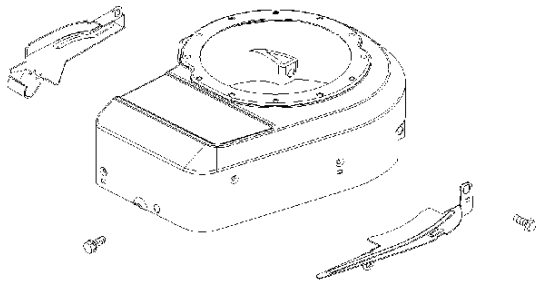
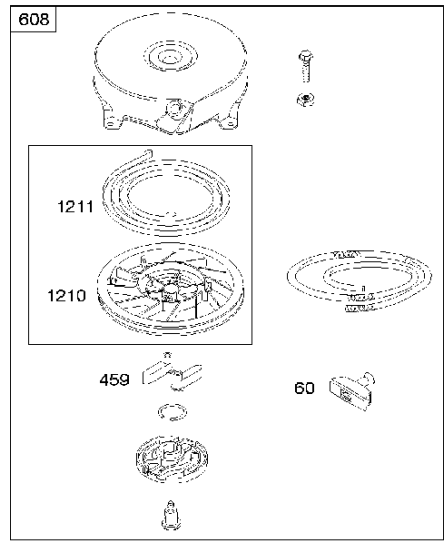
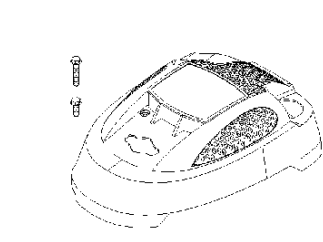
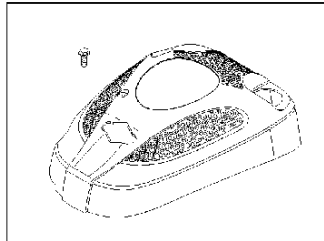
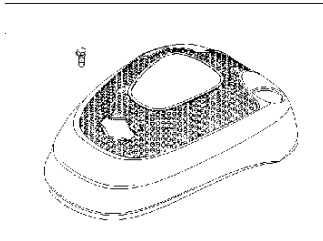
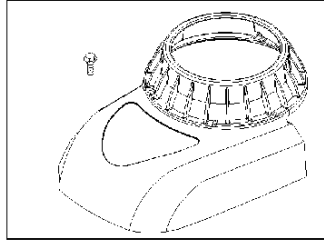
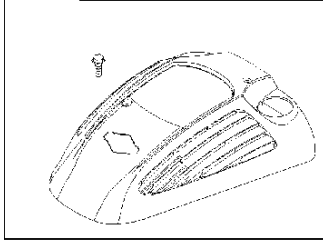
EMISSIONS LABEL



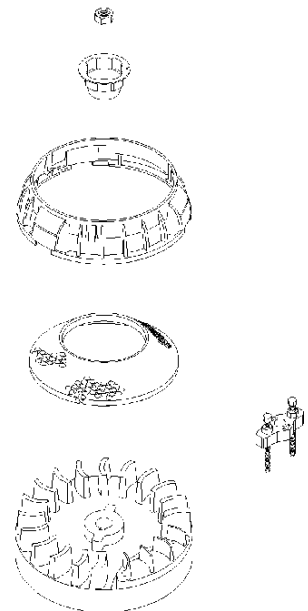
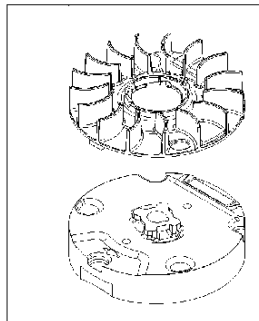
Cylinder

BRIGGS & STRATTON ENGINES, 10T8020136H1, 2017-01

Ref	Part No	Description	Remark	QTY KIT
50	525 26 67-01	INLET PIPE ASSY	699644	1
337	582 31 23-71	SPARK PLUG CAP	796112S	1
362	585 39 09-01	SPARK PLUG CAP	793351	1
635	582 31 35-85	SPARK PLUG CAP	66538S	1



60A



Starter

BRIGGS & STRATTON ENGINES, 10T8020136H1, 2017-01

Ref	Part No	Description	Remark	QTY KIT
60	585 61 53-01	GRIP	691915	1
60A	585 39 07-01	HANDLE	281434S	1
459	582 31 05-24	GRIPPER	281505S	1
608	585 61 55-01	ROPE	499706	1
1210	585 61 54-01	PULLEY	499901	1
1211	585 61 54-01	PULLEY	499901	1
N/A	589 66 98-14	RATCHET	Workshop package, 4204	10