

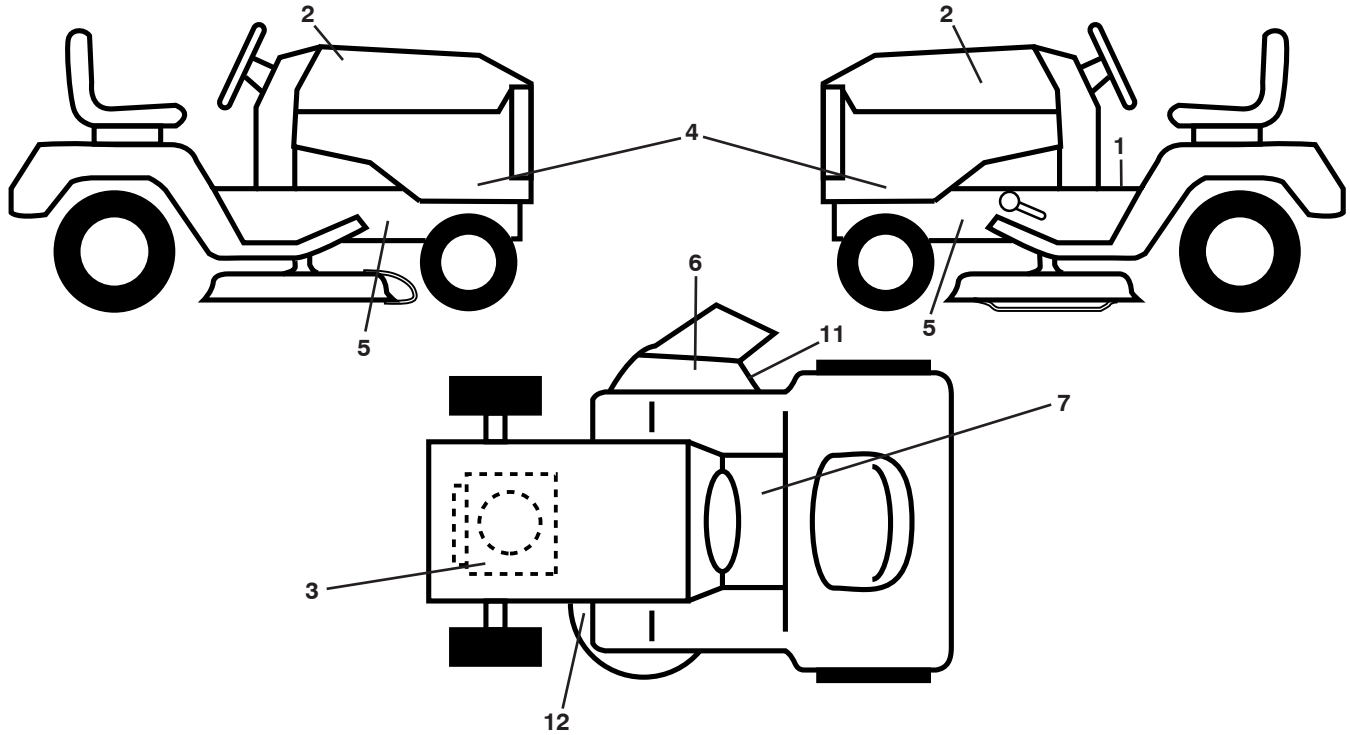
# **ILLUSTRATED PARTS LIST**

**MODEL NO. 96041041100**

**CUSTOMER CATALOG NO. LT1597**

**PRODUCT NO. 904 10 41-11**

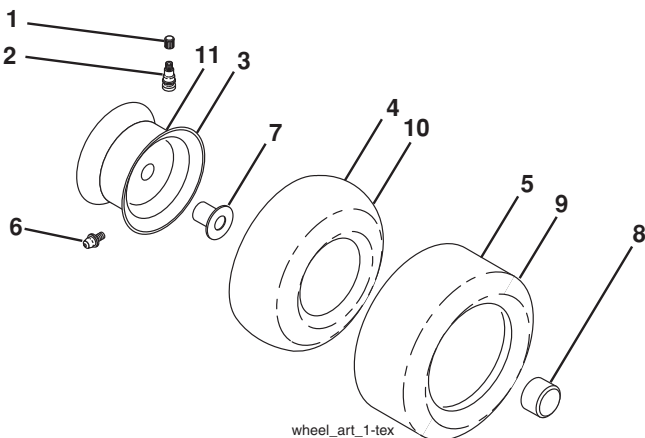
**TRACTOR - - MODEL NO. LT1597 (960410041100), PRODUCT NO. 960 41 04-11  
DECALS 27**



| KEY NO. | PART NO.     | DESCRIPTION                   |
|---------|--------------|-------------------------------|
| 1       | 581 57 83-01 | Decal, Operators              |
| 2       | 581 62 73-01 | Decal, Hood                   |
| 3       | 581 57 97-01 | Decal, Warning Eng. Symbols   |
| 4       | 532 44 82-46 | Decal, Hood Panel             |
| 5       | 581 57 96-01 | Decal, Chassis Hot Muffler    |
| 6       | 584 90 46-01 | Decal, Deck/Deflect. Warning  |
| 7       | 586 75 71-01 | Decal, Consumpt.              |
| 11      | 581 57 92-01 | Decal, Warning                |
| 12      | 581 58 00-03 | Decal, Mower V-Belt Schematic |

| KEY NO. | PART NO.     | DESCRIPTION                  |
|---------|--------------|------------------------------|
| --      | 532 43 96-81 | Pad, Footrest, LH            |
| --      | 532 43 99-66 | Pad, Footrest, RH            |
| --      | 581 72 46-01 | Decal, Drawbar Load Limit    |
| --      | 115 94 13-49 | Manual Oper. English/Spanish |
| --      | 115 94 14-59 | Manual Oper. Portugués       |

**WHEELS AND TIRES**

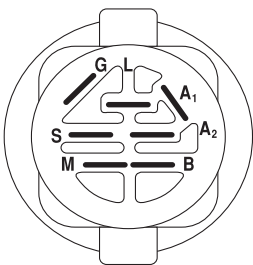
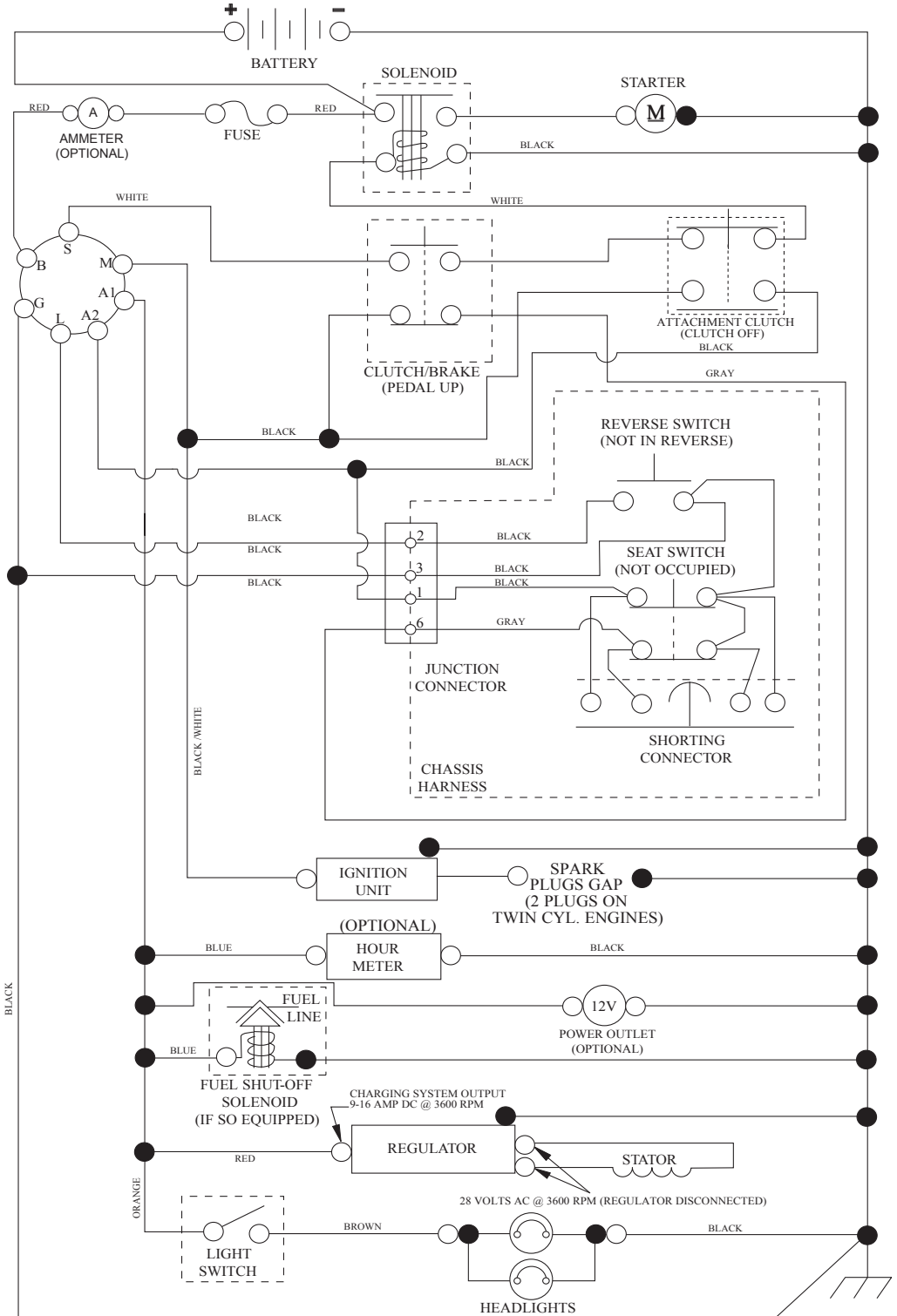


| KEY NO. | PART NO.     | DESCRIPTION                       |
|---------|--------------|-----------------------------------|
| 1       | 532 05 91-92 | Cap Valve Tire                    |
| 2       | 532 06 51-39 | Stem Valve                        |
| 3       | 532 13 83-36 | Rim Asm 6" Front                  |
| 4       | 532 05 99-04 | Tube Front                        |
| 5       | 532 10 62-22 | Tire Front 15 x 6-6               |
| 6       | 532 12 49-57 | Fitting Grease (Front Wheel Only) |
| 7       | 532 12 49-59 | Bearing Flange (Front Wheel Only) |
| 8       | 532 17 50-39 | Cap Axle Blk 1 50 x 1 00          |
| 9       | 532 42 05-31 | Tire Rear 18 x 9.5-8              |
| 10      | 532 12 49-26 | Tube Rear                         |
| 11      | 532 13 83-37 | Rim Asm 8" Rear                   |
| --      | 532 14 43-34 | Sealant, Tire (10 oz. Tube)       |

**NOTE:** All component dimensions given in U.S. inches  
1 inch = 25.4 mm

# TRACTOR - - MODEL NO. LT1597 (960410041100), PRODUCT NO. 960 41 04-11 SCHEMATIC 38

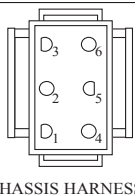
SCH10



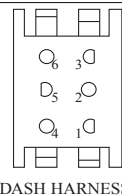
IGNITION SWITCH

| POSITION     | CIRCUIT    | "MAKE" |
|--------------|------------|--------|
| OFF          | M+G+A1     |        |
| RUN/OVERRIDE | B+A1       |        |
| RUN          | B+A1       | L+A2   |
| START        | B + S + A1 |        |

03107



CHASSIS HARNESS CONNECTOR (MATING SIDE)



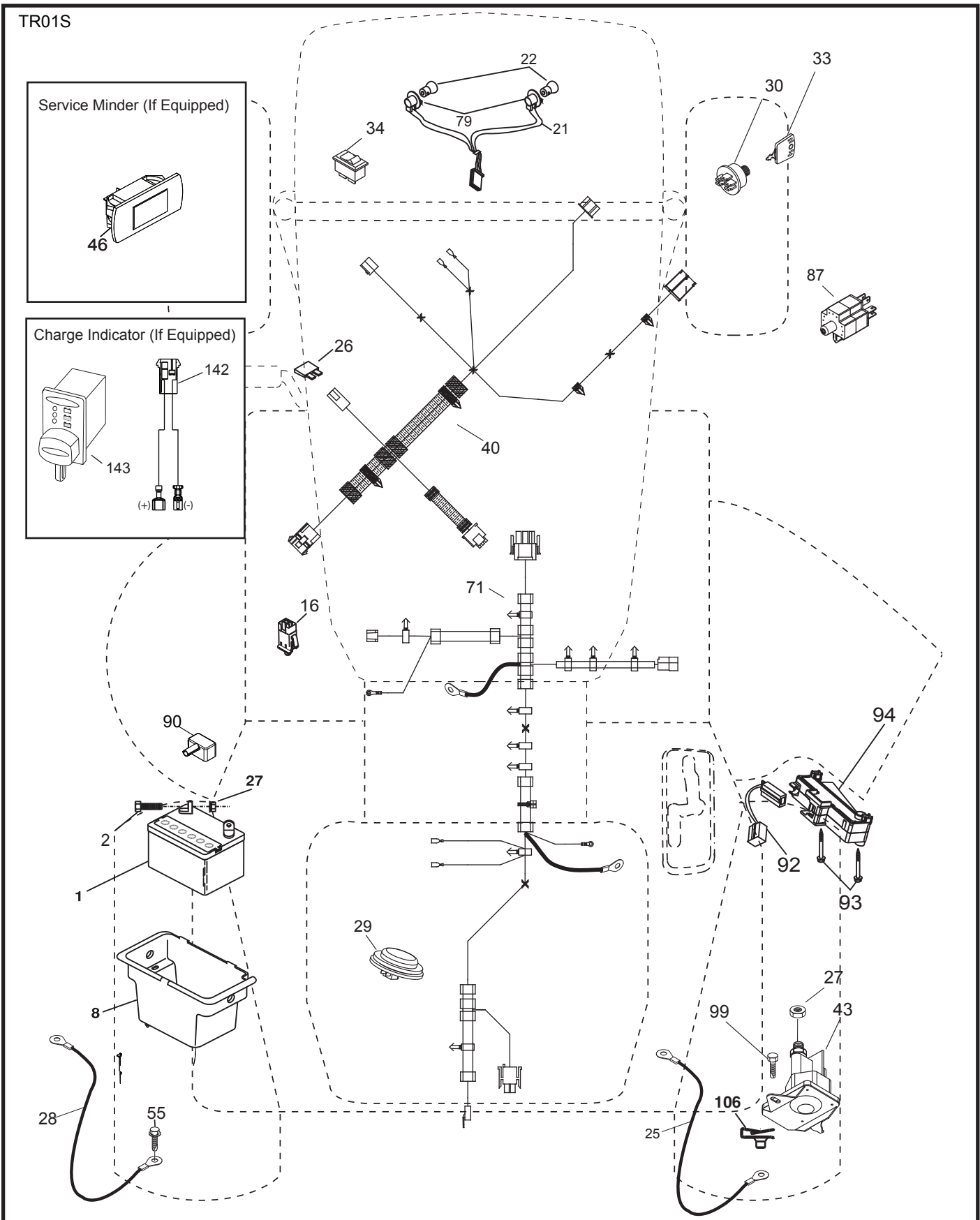
DASH HARNESS CONNECTOR (MATING SIDE)

WIRING INSULATED CLIPS  
NOTE: IF WIRING INSULATED CLIPS WERE REMOVED FOR SERVICING OF UNIT, THEY SHOULD BE RE-INSTALLED TO PROPERLY SECURE YOUR WIRING.

● NON-REMOVABLE CONNECTIONS

○ REMOVABLE CONNECTIONS

**TRACTOR - - MODEL NO. LT1597 (960410041100), PRODUCT NO. 960 41 04-11  
ELECTRICAL 32**

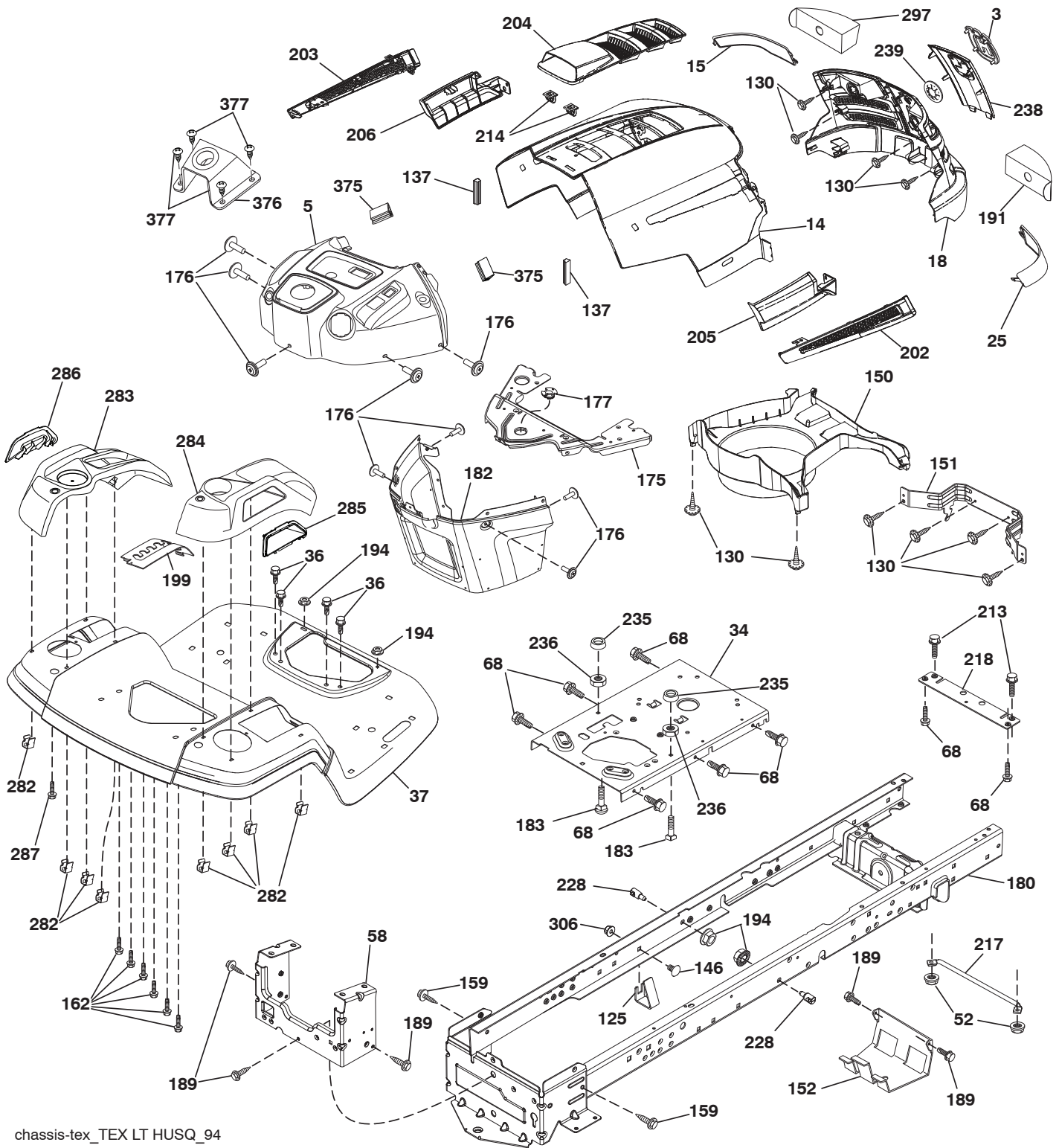


**TRACTOR - - MODEL NO. LT1597 (960410041100), PRODUCT NO. 960 41 04-11  
ELECTRICAL 32**

| <b>KEY NO.</b> | <b>PART NO.</b> | <b>DESCRIPTION</b>               |
|----------------|-----------------|----------------------------------|
| 1              | 532 16 34-65    | Battery                          |
| 2              | 874 76 04-12    | Bolt Hex Head 1/4-20 x 3/4       |
| 8              | 532 19 32-28    | Box Battery                      |
| 16             | 532 17 61-38    | Switch Interlock Push-In         |
| 21             | 532 40 02-52    | Harness Socket Light w/4152J     |
| 22             | 532 00 41-52    | Bulb Light                       |
| 25             | 581 49 80-01    | Cable Starter                    |
| 26             | 532 17 51-58    | Fuse                             |
| 27             | 873 51 04-00    | Nut Keps Hex 1/4-20 unc          |
| 28             | 532 42 16-86    | Cable,Ground                     |
| 29             | 532 40 15-45    | Switch, Seat                     |
| 30             | 532 19 33-50    | Switch, Ign                      |
| 33             | 532 41 19-33    | Key, Ignition                    |
| 34             | 532 11 07-12    | Switch Light/Reset               |
| 40             | 581 02 31-01    | Harness Ign. Dash                |
| 43             | 582 04 28-01    | Solenoid                         |
| 46             | 586 16 18-01    | Gauge Hourmeter                  |
| 55             | 817 06 05-12    | Screw Thdrol 5/16-18 x 3/4 TYTT  |
| 71             | 501 13 37-01    | Harness Chassis                  |
| 79             | 532 17 52-42    | Socket Asm                       |
| 87             | 532 19 78-02    | Switch Interlock Clutch Cable    |
| 90             | 532 43 53-95    | Cover Terminal                   |
| 92             | 532 19 66-15    | Harness Pigtail Reverse Switch   |
| 93             | 532 19 25-40    | Screw Plastite 10-14 x 2.0       |
| 94             | 532 19 18-34    | Module Reverse ROS               |
| 99             | 817 67 04-12    | Screw Hexwsh Thdrol 1/4-20 x 3/4 |
| 106            | 532 17 48-14    | Palnut 1/4 Lugs                  |

**NOTE:** All component dimensions given in U.S. inches  
1 inch = 25.4 mm

**TRACTOR - - MODEL NO. LT1597 (960410041100), PRODUCT NO. 960 41 04-11**  
**CHASSIS AND ENCLOSURES 39**



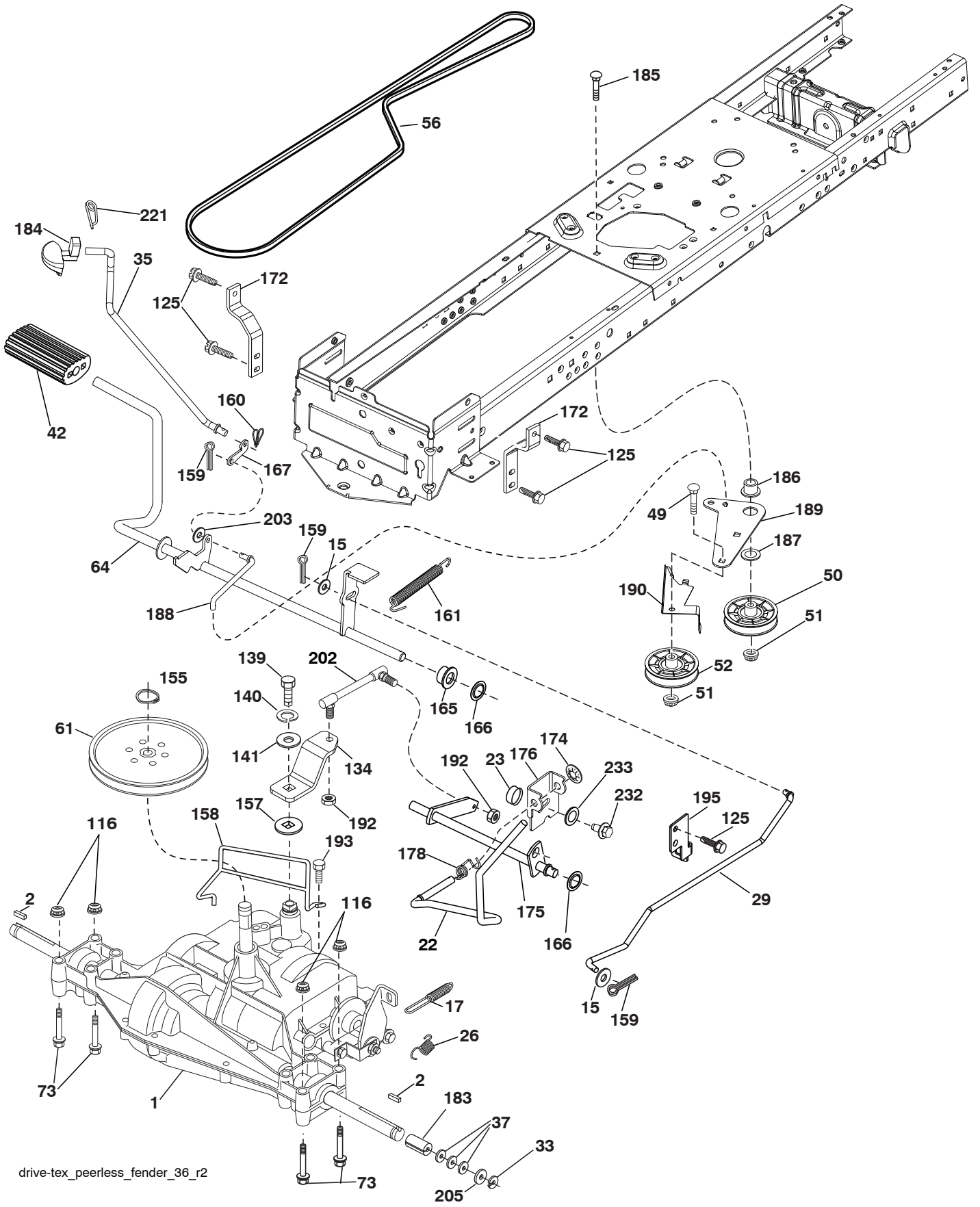
chassis-tex\_TEX LT HUSQ\_94

**TRACTOR - - MODEL NO. LT1597 (960410041100), PRODUCT NO. 960 41 04-11  
CHASSIS AND ENCLOSURES **39****

| KEY NO. | PART NO.     | DESCRIPTION                       |
|---------|--------------|-----------------------------------|
| 3       | 581 05 63-01 | Logo                              |
| 5       | 501 86 11-01 | Dash                              |
| 14      | 532 44 12-67 | Hood                              |
| 15      | 532 44 14-28 | Lens LH                           |
| 18      | 532 44 13-68 | Grille                            |
| 25      | 532 44 14-27 | Lens RH                           |
| 34      | 580 91 08-01 | Plate Engine                      |
| 36      | 817 06 05-12 | Screw 5/16-18 x 3/4               |
| 37      | 532 44 12-66 | Fender                            |
| 52      | 873 68 05-00 | Nut Crown Lock 5/16-18            |
| 58      | 532 41 22-80 | Drawbar Upper                     |
| 68      | 539 99 08-58 | Screw Thdrol. 5/16-18 x 1/2       |
| 125     | 581 68 48-01 | Clip Fuel Line                    |
| 130     | 532 41 63-58 | Screw #10 x 0.75                  |
| 137     | 532 40 75-90 | Bumper Dash                       |
| 146     | 581 85 79-01 | Bolt                              |
| 150     | 532 40 75-37 | Air Duct                          |
| 151     | 532 40 78-07 | Bracket Pivot                     |
| 152     | 532 19 95-35 | Shield Browning                   |
| 159     | 817 00 06-12 | Screw 3/8-16 x 3/4                |
| 162     | 532 14 24-32 | Screw Hex Wsh Hi-Lo 1/4 x 1/2 unc |
| 175     | 532 19 94-72 | Crossmember                       |
| 176     | 532 40 07-76 | Screw 10-24 x 5/8                 |
| 177     | 532 19 52-28 | Bushing Steering                  |
| 180     | 532 41 50-63 | Chassis                           |
| 182     | 532 40 71-76 | Dash Lower                        |
| 183     | 874 52 05-20 | Bolt 5/16-18 x 1-1/4              |
| 189     | 817 00 05-12 | Screw 5/16-18 x 3/4               |
| 191     | 532 41 65-01 | Insert Reflective RH              |
| 194     | 873 90 05-00 | Nut Lock Hex Flange 5/16-18       |
| 199     | 532 41 34-85 | Plate Deck Lift                   |
| 202     | 532 44 13-42 | Vent Side Hood RH                 |
| 203     | 532 44 13-43 | Vent Side Hood LH                 |
| 204     | 532 44 13-75 | Vent Top Hood                     |
| 205     | 532 44 13-44 | Skirt Side RH                     |
| 206     | 532 44 13-45 | Skirt Side LH                     |
| 213     | 874 76 05-12 | Bolt Hex HD 5/16-18 x 3/4         |
| 214     | 532 19 91-45 | Clip Retainer                     |
| 217     | 532 40 91-67 | Rod Pivot Hood                    |
| 218     | 532 19 63-95 | X-Piece Hood Stop                 |
| 228     | 532 19 51-61 | Stud Fastener                     |
| 235     | 532 40 61-29 | Spacer Fender                     |
| 236     | 873 93 05-00 | Nut Center Lock 5/16-18 unc       |
| 238     | 532 44 13-74 | Trim                              |
| 239     | 532 40 48-83 | CLIP TINNERMAN                    |
| 282     | 532 41 41-10 | Clip retainer Console             |
| 283     | 532 44 33-30 | Console Shift                     |
| 284     | 532 44 20-39 | Console Deck Lift                 |
| 285     | 532 41 63-15 | Console INSRT RH HUSQ             |
| 286     | 532 41 63-17 | Console INSRT LH HUSQ             |
| 287     | 817 60 04-06 | Screw Hex Washhead. 1/4-20 x 3/8  |
| 297     | 532 40 66-65 | Insert Reflective LH              |
| 306     | 873 90 06-00 | Nut Lock                          |
| 375     | 586 90 82-01 | Dash Clip-On Bumper               |
| 376     | 589 45 87-01 | Mount Asm Huslt Upper Steering    |
| 377     | 589 45 53-01 | Screw 10 x 1/2 ZN PL              |
| --      | 532 40 09-44 | Kit Bumper                        |

**NOTE:** All component dimensions given in U.S. inches  
1 inch = 25.4 mm

TRACTOR - - MODEL NO. LT1597 (960410041100), PRODUCT NO. 960 41 04-11  
DRIVE **40**



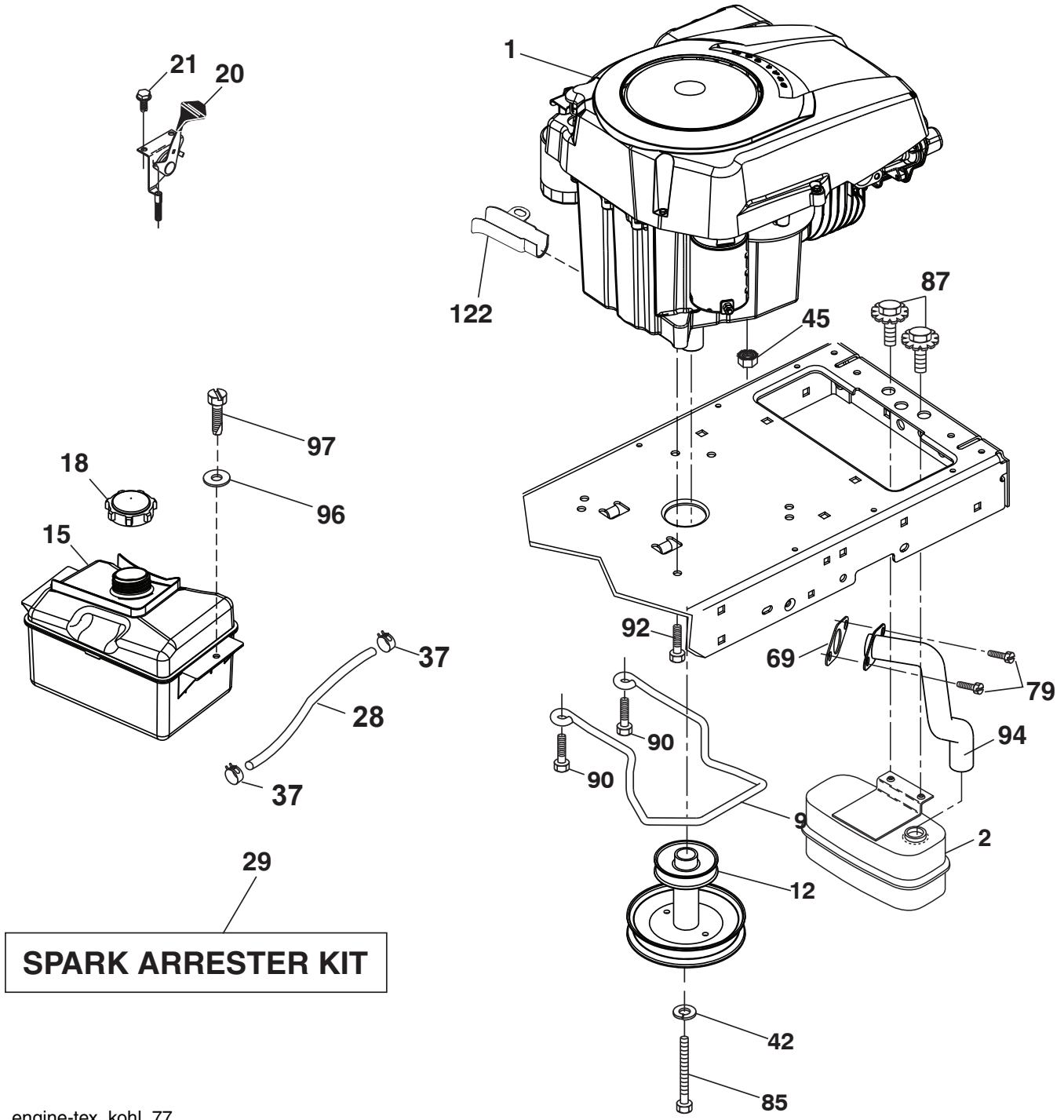
drive-tex\_peerless\_fender\_36\_r2



**TRACTOR - - MODEL NO. LT1597 (960410041100), PRODUCT NO. 960 41 04-11  
DRIVE 40**

| KEY<br>NO. | PART<br>NO.  | DESCRIPTION   | KEY<br>NO. | PART<br>NO.  | DESCRIPTION                      |
|------------|--------------|---|------------|--------------|----------------------------------|
| 1          | -----        | Transaxle, Peerless 206-565<br>(197941) (Order parts from trans-<br>axle manufacturer.) | 160        | 532 16 94-84 | Retainer Clip                    |
| 2          | 532 12 35-83 | Key Square  | 161        | 532 10 57-09 | Spring, Return, Clutch           |
| 15         | 819 13 13-16 | Washer 13/32 x 13/16 x 16 Ga.   | 165        | 532 19 62-12 | Bushing Shaft Brake Hand Control |
| 17         | 532 19 72-97 | Spring, Brake   | 166        | 532 42 91-64 | Nut Push .625                    |
| 22         | 532 19 76-60 | Rod Shift   | 167        | 532 40 52-57 | Latch Brake Parking              |
| 23         | 532 12 12-74 | Knob Duckhead 1/2-13  | 172        | 532 19 76-57 | Strap Torque LH                  |
| 26         | 532 19 74-55 | Spring Brake Return   | 174        | 532 19 72-89 | Nut Push                         |
| 29         | 532 19 72-67 | Rod, Brake  | 175        | 532 19 78-58 | Shaft Asm. Shift                 |
| 33         | 812 00 00-01 | Ring E  | 176        | 532 19 62-14 | Arm Clevis Rod Shift             |
| 35         | 532 40 10-31 | Rod, Brake, Park  | 178        | 532 19 74-56 | Spring Shift                     |
| 37         | 532 12 17-49 | Washer 25/32 x 1-1/4 x 16 Ga.   | 183        | 532 13 70-57 | Spacer Axle                      |
| 42         | 532 12 48-72 | Cover, Foot Pedal   | 184        | 532 41 14-84 | Knob                             |
| 49         | 872 11 06-14 | Bolt  | 185        | 872 11 06-22 | Bolt                             |
| 50         | 532 19 43-27 | Pulley Idler Flat   | 186        | 532 19 43-21 | Spacer Retainer                  |
| 51         | 873 90 06-00 | Lock Nut 3/8-16   | 187        | 819 13 32-10 | Washer                           |
| 52         | 532 19 43-26 | Idler V-Groove  | 188        | 582 21 70-01 | Link Clutch Ground Drive, Long   |
| 56         | 532 19 43-46 | V-Belt, Drive   | 189        | 532 19 43-17 | Bellcrank Ground Drive           |
| 61         | 532 12 36-66 | Pulley transaxle  | 190        | 532 19 43-18 | Keeper Bellcrank Ground Drive    |
| 64         | 532 19 62-00 | Shaft Asm. Pedal Brake Control  | 192        | 532 15 03-60 | Nut Lock Center 1/4-28 Fnthd     |
| 73         | 874 49 05-40 | Bolt Hx Flghd 5/16-18 x 2-1/2 Gr. 5   | 193        | 817 06 05-12 | Screw 5/16-18 x 3/4              |
| 116        | 873 90 05-00 | Nut Lock Hex Flange 5/16-18   | 195        | 532 19 73-32 | Bracket Brake Rod                |
| 125        | 817 00 05-12 | Screw 5/16-18 x 3/4   | 202        | 532 19 78-59 | Link Transaxle                   |
| 134        | 532 19 78-57 | Asm Shift   | 203        | 819 11 11-16 | Washer 11/32 x 11/16 x 16 Ga.    |
| 139        | 874 55 04-12 | Bolt 1/4-28 unf Gr. 8 w/Patch   | 205        | 532 12 17-48 | Washer 25/32 x 1-5/8 16 Ga.      |
| 140        | 810 04 04-00 | Washer Lock Hvy Helical 1/4   | 221        | 532 40 31-87 | Retainer Spring Clip Handle      |
| 141        | 819 09 12-10 | Washer 9/32 x 3/4 x 10 Ga.  | 232        | 874 78 07-16 | Bolt Fin Hex 7/16-14 x 1 Gr 5    |
| 155        | 812 00 00-28 | Ring Retainer   | 233        | 532 40 52-96 | Washer Serrated                  |
| 157        | 532 10 57-01 | Washer Plate Shift  |            |              |                                  |
| 158        | 532 19 43-52 | Belt Keeper   |            |              |                                  |
| 159        | 876 02 04-12 | Pin Cotter 1/8 x 3/4  |            |              |                                  |

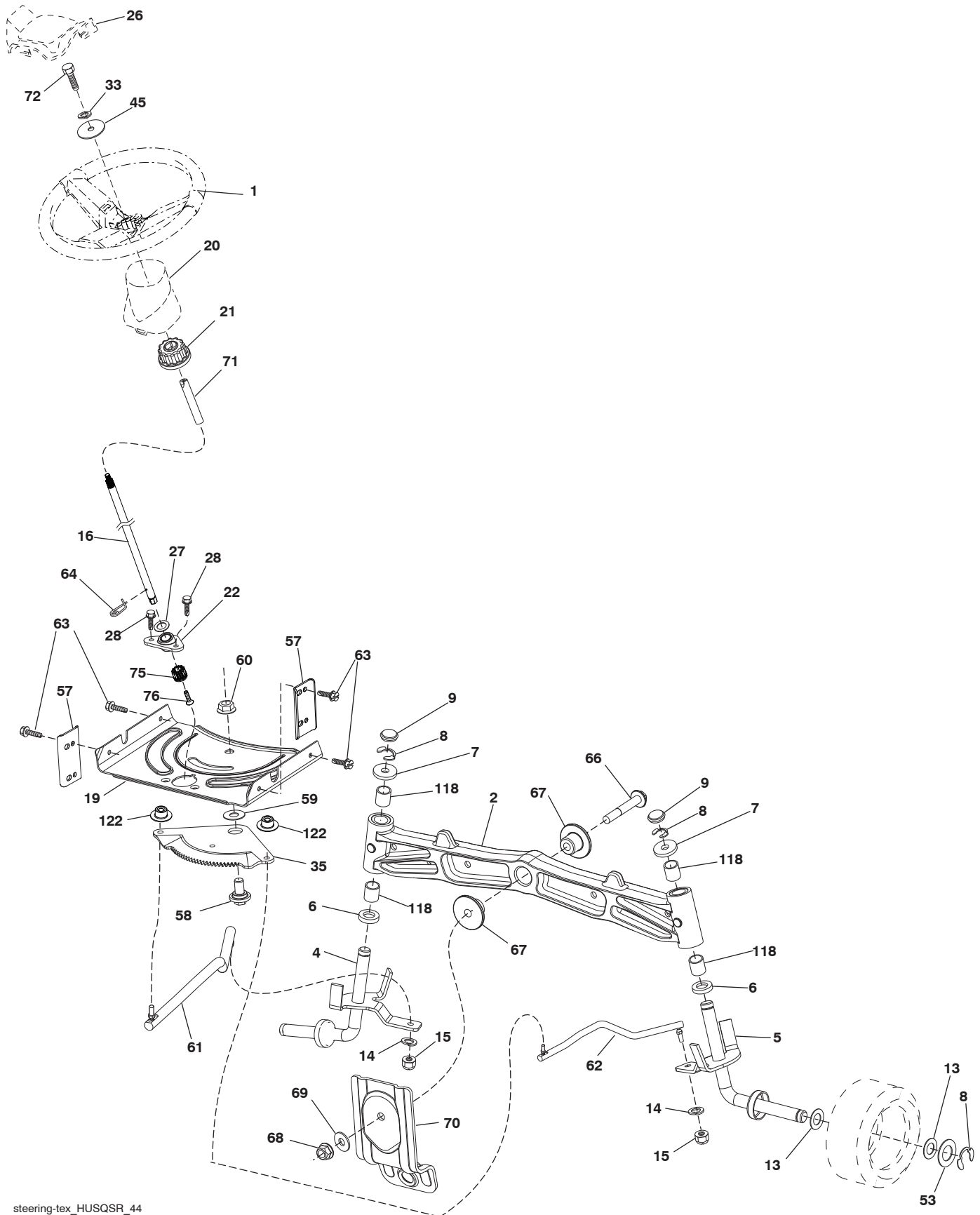
**NOTE:** All component dimensions given in U.S. inches  
1 inch = 25.4 mm



engine-tex\_kohl\_77



**TRACTOR - - MODEL NO. LT1597 (960410041100), PRODUCT NO. 960 41 04-11**  
**STEERING ASSEMBLY 41**



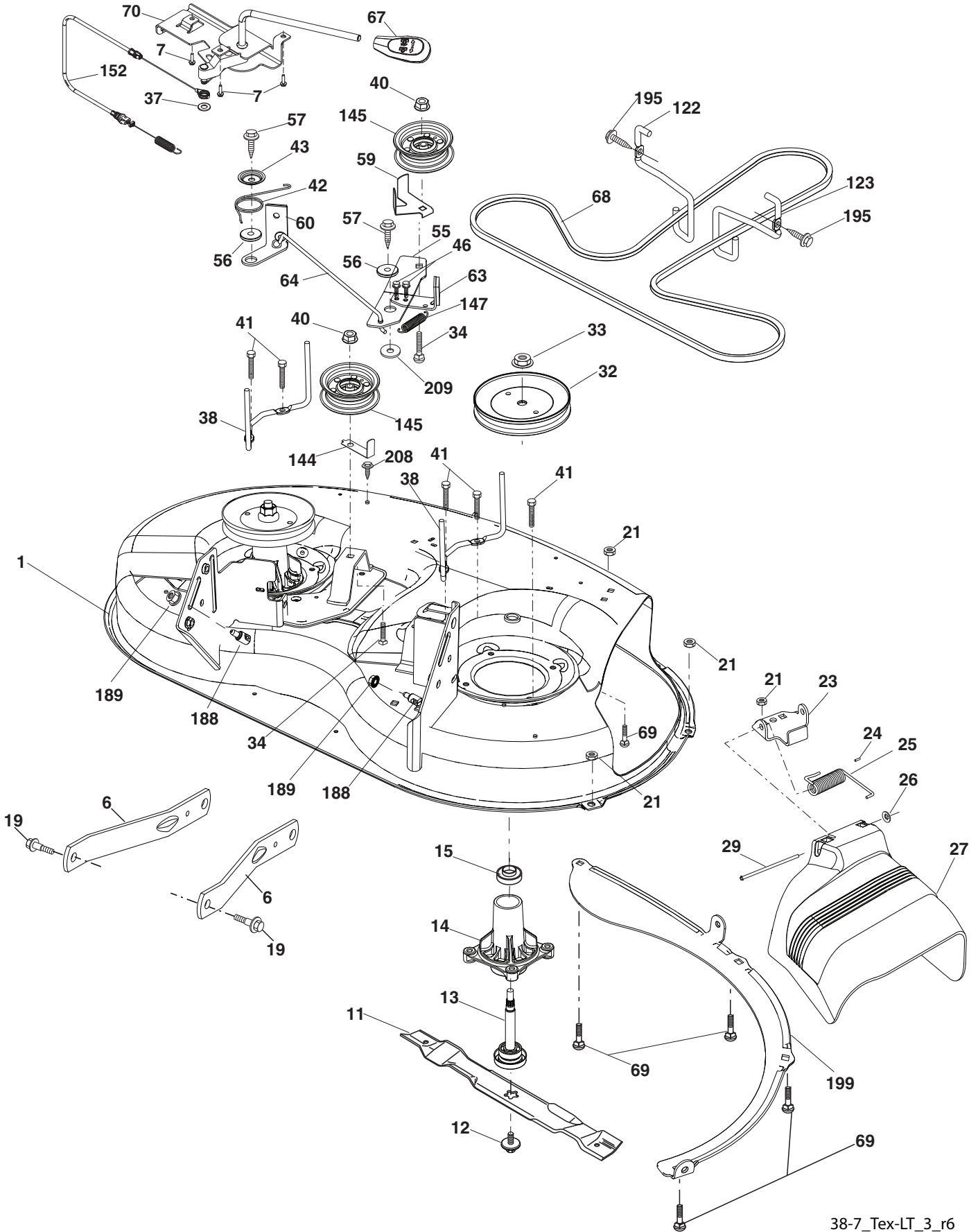
steering-tex\_HUSQSR\_44

**TRACTOR - - MODEL NO. LT1597 (960410041100), PRODUCT NO. 960 41 04-11  
STEERING ASSEMBLY **41****

| <b>KEY NO.</b> | <b>PART NO.</b> | <b>DESCRIPTION</b>                  |
|----------------|-----------------|-------------------------------------|
| 1              | 532 43 97-40    | Wheel, Steering                     |
| 2              | 532 41 35-91    | Axle Asm., Front                    |
| 4              | 532 40 30-87    | Spindle Asm., LH                    |
| 5              | 532 40 30-88    | Spindle Asm., RH                    |
| 6              | 532 12 49-31    | Washer .75 x 1.230, Thrust          |
| 7              | 532 12 17-48    | Washer 25/32 x 1-5/8 x 16 Ga.       |
| 8              | 812 00 00-29    | Ring, clip #T5304-75                |
| 9              | 532 12 12-32    | Cap, Spindle                        |
| 13             | 532 12 17-49    | Washer 25/32 x 1-1/4 x 16 Ga.       |
| 14             | 539 99 01-18    | Washer, SLW ZD                      |
| 15             | 873 54 06-00    | Nut, Crown Lock 3/8-24 unf          |
| 16             | 585 86 92-02    | Steering Shaft                      |
| 19             | 532 19 47-29    | Plate Steering                      |
| 20             | 532 44 14-25    | Boot, Steering                      |
| 21             | 532 18 67-37    | Adapter, Wheel Steering             |
| 22             | 585 02 98-02    | Bearing                             |
| 26             | 532 43 97-43    | Insert, Wheel Steering              |
| 27             | 819 21 16-16    | Washer 21 x 32 x 1 x 16 Ga.         |
| 28             | 817 00 06-12    | Screw 3/8-16 x 3/4                  |
| 33             | 539 99 01-87    | Washer Lock 5/16                    |
| 35             | 532 19 47-32    | Gear, Sector Plate                  |
| 45             | 819 11 38-12    | Washer 11/32 x 3/8 x 12 Ga.         |
| 53             | 532 18 89-67    | Washer Hardened .793 x 1.637 x .060 |
| 57             | 532 40 74-65    | Bracket Upstop                      |
| 58             | 532 19 47-47    | Bolt Shoulder Sector Pivot CFM      |
| 59             | 532 19 47-48    | Washer Thrust Sector Steering       |
| 60             | 873 97 10-00    | Nut Flange Lock 5/8-11              |
| 61             | 532 19 47-40    | Draglink, LH                        |
| 62             | 532 19 47-41    | Draglink, RH                        |
| 63             | 817 00 05-12    | Screw 5/16-18 x 3/4                 |
| 64             | 532 19 98-49    | Retainer Clip Spring Steering       |
| 66             | 871 02 07-48    | Bolt Hex Fghd 7/16-14 x 3 Serr      |
| 67             | 532 19 47-37    | Bushing PM Front Axle               |
| 68             | 873 90 07-00    | Nut Lock Flange 7/16-14 Gr. 5       |
| 69             | 532 19 91-62    | Washer 1.5 x .505 x .118            |
| 70             | 585 33 88-01    | Bracket Deck Susp. Front            |
| 71             | 532 19 07-52    | Shaft Extension Steering            |
| 72             | 532 42 89-82    | Bolt Fin Hx 5/16-18 x 4             |
| 75             | 580 68 37-01    | Pinion                              |
| 76             | 580 68 36-01    | Screw Head Sock                     |
| 118            | 532 40 60-13    | Bushing                             |
| 122            | 532 44 49-62    | Cap Gear Sector                     |

**NOTE:** All component dimensions given in U.S. inches  
1 inch = 25.4 mm

TRACTOR - - MODEL NO. LT1597 (960410041100), PRODUCT NO. 960 41 04-11  
MOWER DECK 44

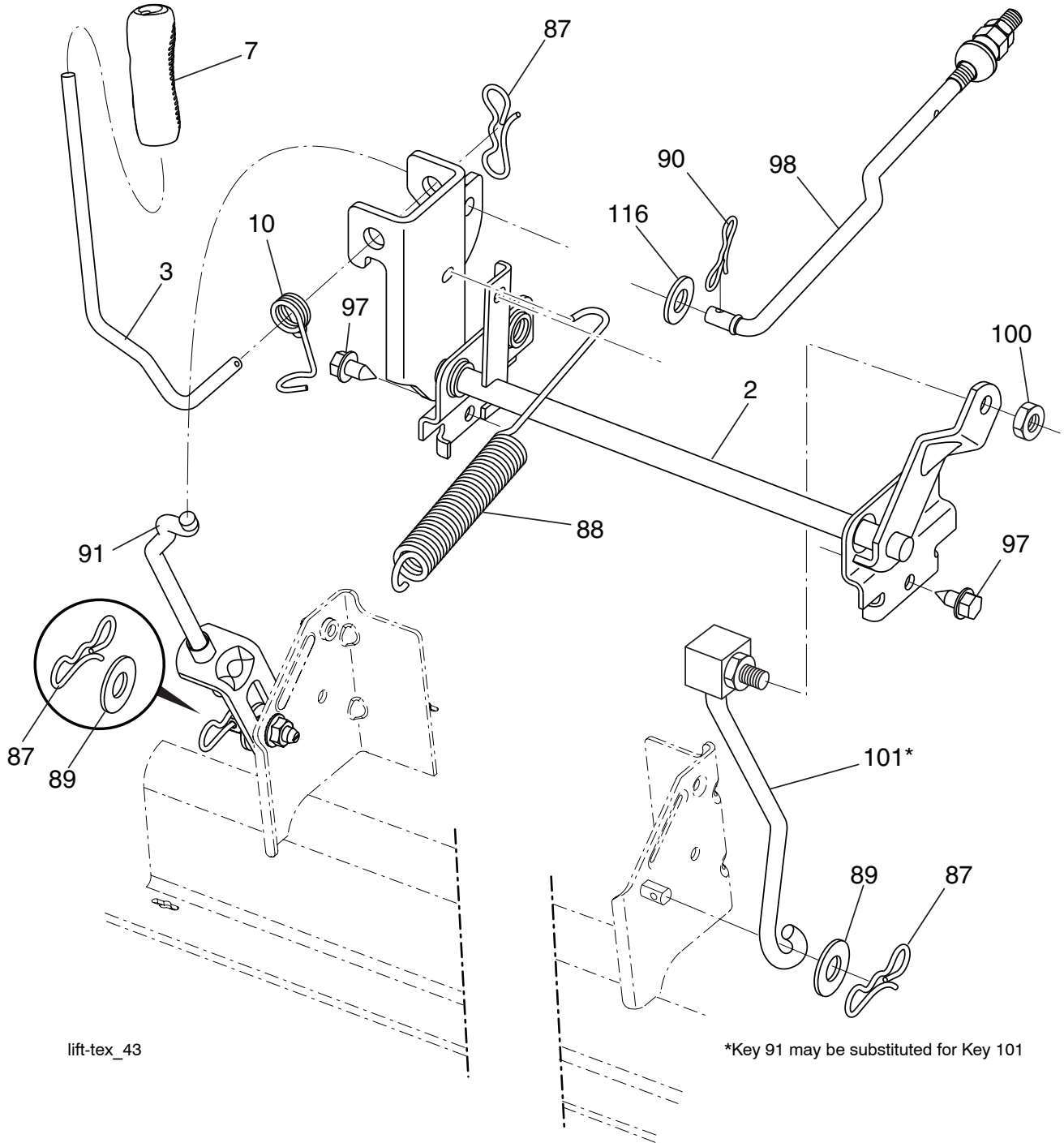


**TRACTOR - - MODEL NO. LT1597 (960410041100), PRODUCT NO. 960 41 04-11  
MOWER DECK 44**

| KEY<br>NO. | PART<br>NO.  | DESCRIPTION                        | KEY<br>NO. | PART<br>NO.  | DESCRIPTION  |
|------------|--------------|------------------------------------|------------|--------------|--|
| 1          | 587 77 18-07 | Mower Housing                      | 60         | 532 19 94-71 | Arm Brake Mower  |
| 6          | 532 19 51-86 | Arm Suspension                     | 63         | 532 19 94-70 | Arm Brake Mower  |
| 7          | 532 41 63-58 | Screw #10 x 0.750 BOS Thread       | 64         | 532 19 97-90 | Link Brake   |
| 11         | 581 11 63-01 | Blade                              | 67         | 532 40 30-12 | Handle Clutch Cable  |
| 12         | 584 30 93-01 | Screw 7/16-20 x 1 Hex              | 68         | 532 40 83-81 | V-Belt   |
| 13         | 587 25 65-01 | Shaft Assembly Mandrel             | 69         | 872 14 05-05 | Bolt   |
| 14         | 532 18 72-81 | Housing Mandrel                    | 70         | 532 40 12-46 | Clutch Asm Manual  |
| 15         | 585 32 39-01 | Bearing, Mandrel                   | 122        | 532 19 72-58 | Keeper Belt Engine LH  |
| 19         | 532 19 65-39 | Bolt, Shoulder                     | 123        | 532 19 72-59 | Keeper Belt Engine RH  |
| 21         | 873 68 05-00 | Nut, Crownlock 5/16-18 unc         | 144        | 532 19 34-14 | Keeper Belt  |
| 23         | 532 19 25-57 | Bracket, Deflector                 | 145        | 532 19 31-97 | Pulley Idler   |
| 24         | 532 10 53-04 | Cap, Sleeve                        | 147        | 532 40 18-72 | Spring Return  |
| 25         | 532 19 70-26 | Spring, Torsion, Deflector         | 152        | 532 43 51-11 | Manual Clutch Cable  |
| 26         | 532 11 04-52 | Nut, Push                          | 188        | 532 19 51-61 | Stud Fastener  |
| 27         | 532 40 14-72 | Shield, Deflector                  | 189        | 873 90 05-00 | Nut Lock Hex Flange  |
| 29         | 532 13 14-91 | Rod, Hinge                         | 195        | 817 00 06-12 | Screw 3/8-16 x 3/4   |
| 32         | 532 19 97-89 | Pulley, Mandrel                    | 199        | 532 40 00-95 | Baffle Vortex  |
| 33         | 532 40 02-34 | Nut, Toplock, Flanged              | 208        | 817 67 06-08 | Screw Thdrol 3/8-16 x 1/2  |
| 34         | 872 11 06-12 | Bolt Carr Sh. 3/8-16 x 1-1/2 Gr. 5 | 209        | 819 13 32-10 | Washer 13/32 x 2 x 10  |
| 37         | 819 13 13-16 | Washer                             | --         | 587 25 33-01 | Mandrel Assembly (Includes hous-<br>ing (#14), shaft assembly (#13),<br>and bearing (#15) only - pulley/nut/<br>washer and blade bolt/washers not<br>included) |
| 38         | 532 19 95-41 | Keeper Belt LH Mandrel             | --         | 532 40 04-22 | Replacement Mower, Complete  |
| 40         | 873 90 06-00 | Nut, Lock Flg. 3/8-16 unc          |            |              |  |
| 41         | 584 95 39-01 | Bolt Hex Wshr                      |            |              |  |
| 42         | 532 19 84-10 | Spring Torsion Brake               |            |              |  |
| 43         | 532 19 72-56 | Spring Torsion Retainer            |            |              |  |
| 46         | 532 13 77-29 | Screw 1/4-20 x 5/8                 |            |              |  |
| 55         | 532 19 72-49 | Arm, Idler                         |            |              |  |
| 56         | 532 19 90-92 | Spacer, Retainer                   |            |              |  |
| 57         | 817 00 06-16 | Screw 3/8-16 x 1                   |            |              |  |
| 59         | 532 14 10-43 | Guard, Tuv Idler                   |            |              |  |

**NOTE:** All component dimensions given in U.S. inches  
1 inch = 25.4 mm

**TRACTOR - - MODEL NO. LT1597 (960410041100), PRODUCT NO. 960 41 04-11**  
**MOWER LIFT 45**



lift-tex\_43

\*Key 91 may be substituted for Key 101

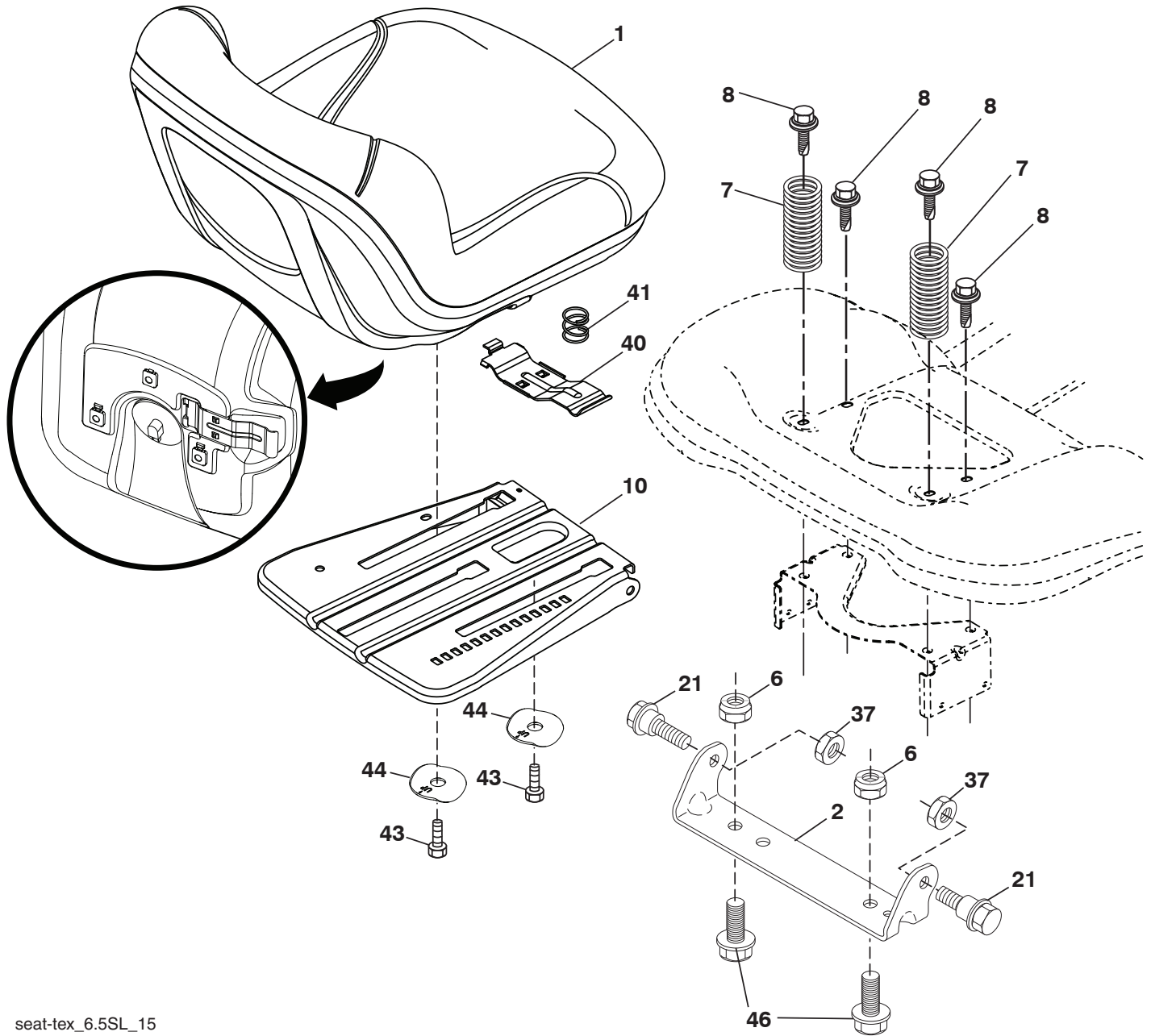
| KEY NO. | PART NO.     | DESCRIPTION                  |
|---------|--------------|------------------------------|
| 2       | 532 42 20-27 | Shaft Asm., Lift             |
| 3       | 532 19 52-31 | Lever Asm., Lift RH          |
| 7       | 580 96 23-01 | Grip, Lever                  |
| 10      | 532 19 63-14 | Spring Torsion               |
| 87      | 532 19 42-09 | Pin Cotter 7/16 Bow Tie Lock |
| 88      | 532 41 07-10 | Spring Lift Assist           |
| 89      | 819 19 19-12 | Washer Clear Zinc            |
| 90      | 532 19 42-08 | Pin Cotter 5/16 Bow Tie Lock |
| 91      | 532 19 51-81 | Link Lift Susp Mower Rear    |

| KEY NO. | PART NO.     | DESCRIPTION                      |
|---------|--------------|----------------------------------|
| 97      | 817 00 06-12 | Screw 3/8-16 x .75 Smgml Tap/R.Z |
| 98      | 532 19 52-70 | Link Lift Susp. Front Mower      |
| 100     | 873 93 06-00 | Nut Centerlock 3/8-16            |
| 101     | 532 40 70-03 | Link Asm. Lift                   |
| 116     | 819 15 15-16 | Washer 15/32 x 15/16 x 16 Ga.    |

**NOTE:** All component dimensions given in U.S. inches  
 1 inch = 25.4 mm



**TRACTOR - - MODEL NO. LT1597 (960410041100), PRODUCT NO. 960 41 04-11  
SEAT ASSEMBLY 42**



seat-tex\_6.5SL\_15

| KEY NO. | PART NO.     | DESCRIPTION                   |
|---------|--------------|-------------------------------|
| 1       | 532 43 98-19 | Seat                          |
| 2       | 532 18 01-66 | Bracket Pivot Fender          |
| 6       | 873 80 06-00 | Nut, Lock w/Ins. 3/8-16 unc   |
| 7       | 589 48 35-01 | Spring, Seat Cprsn            |
| 8       | 532 17 18-77 | Bolt 5/16-18 unc x 3/4 w/Sems |
| 10      | 587 23 20-02 | Pan, Seat Plate               |
| 21      | 587 90 78-01 | Bolt, Shoulder 5/16-18 x 5/8  |
| 37      | 873 80 05-00 | Nut, Lock 5/16-18 unc         |

| KEY NO. | PART NO.     | DESCRIPTION                 |
|---------|--------------|-----------------------------|
| 40      | 532 19 76-61 | Handle Slide                |
| 41      | 532 19 82-00 | Spring Latch                |
| 43      | 874 76 06-12 | Bolt 3/8-16 unc x 3/4       |
| 44      | 501 05 18-01 | Washer Winged 3/8 ID 1.5 OD |
| 46      | 588 09 04-01 | Bolt 3/8-16 x 1; 1.25 OD    |

**NOTE:** All component dimensions given in U.S. inches  
1 inch = 25.4 mm

