

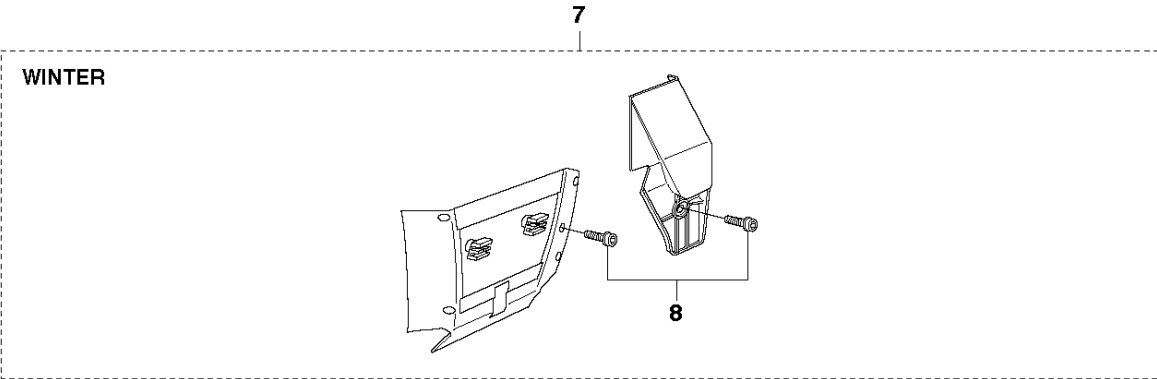
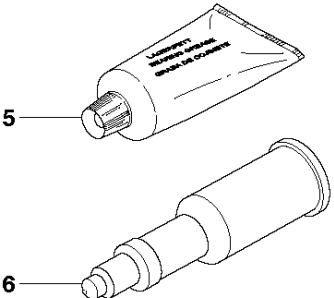
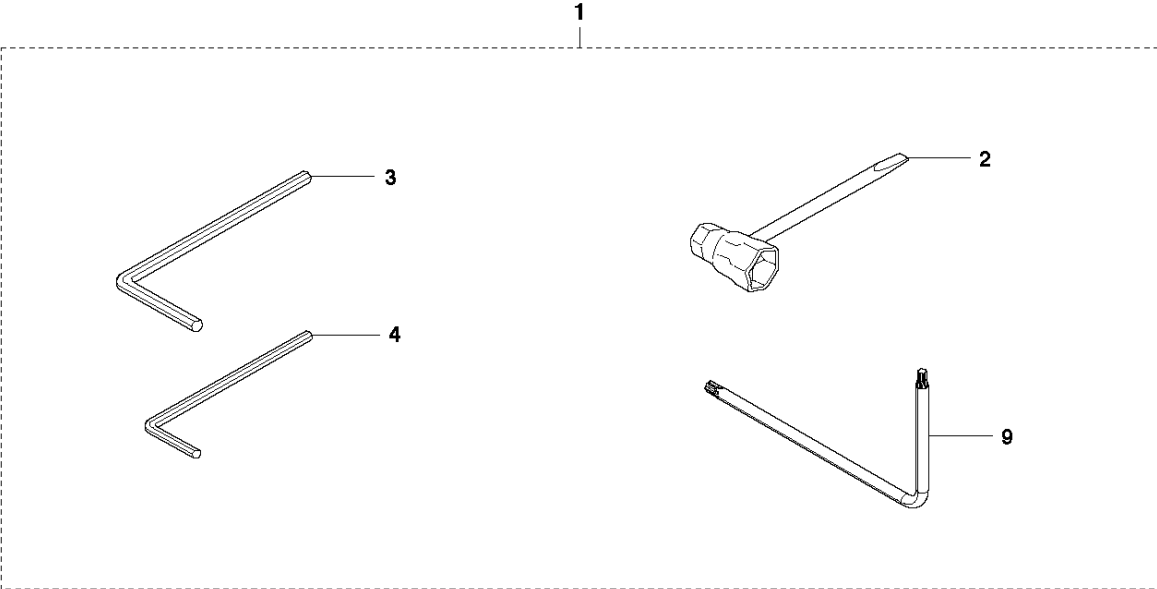


SPARE PARTS LIST

CHAIN SAWS

372 XP from 2017-11 -

Q 372XP
ACCESSORIES



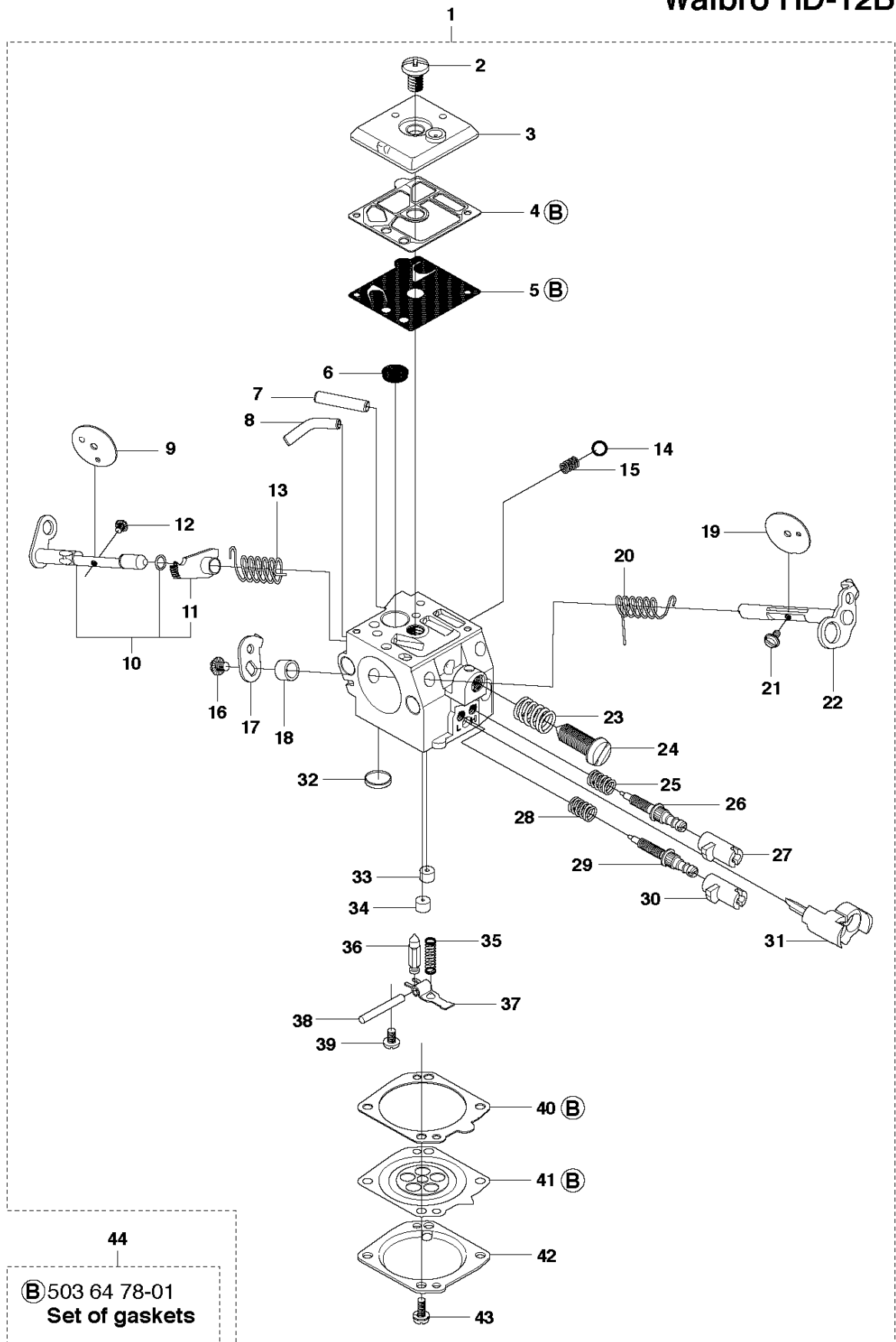
ACCESSORIES

372 XP from 2017-11 -

Ref	Part No	Description	Remark	QTY	KIT
1	588 79 74-01	TOOL		1	
2	501 69 17-01	COMBINATION WRENCH		1	1
3	503 55 86-02	SPANNER	NV5	1	1
4	503 55 86-01	SPANNER	NV4	1	1
5	503 62 12-01	GREASE		1	
6	501 91 14-01	GREASE GUN		1	
7	503 96 90-11	WINTER KIT	WINTER	1	
8	586 50 52-01	SCREW CITXPANT		1	7
9	575 88 07-01	WRENCH	TORX T27/T20	1	1

P 372XP
CARBURETOR

**Walbro HD-6B
Walbro HD-12B**

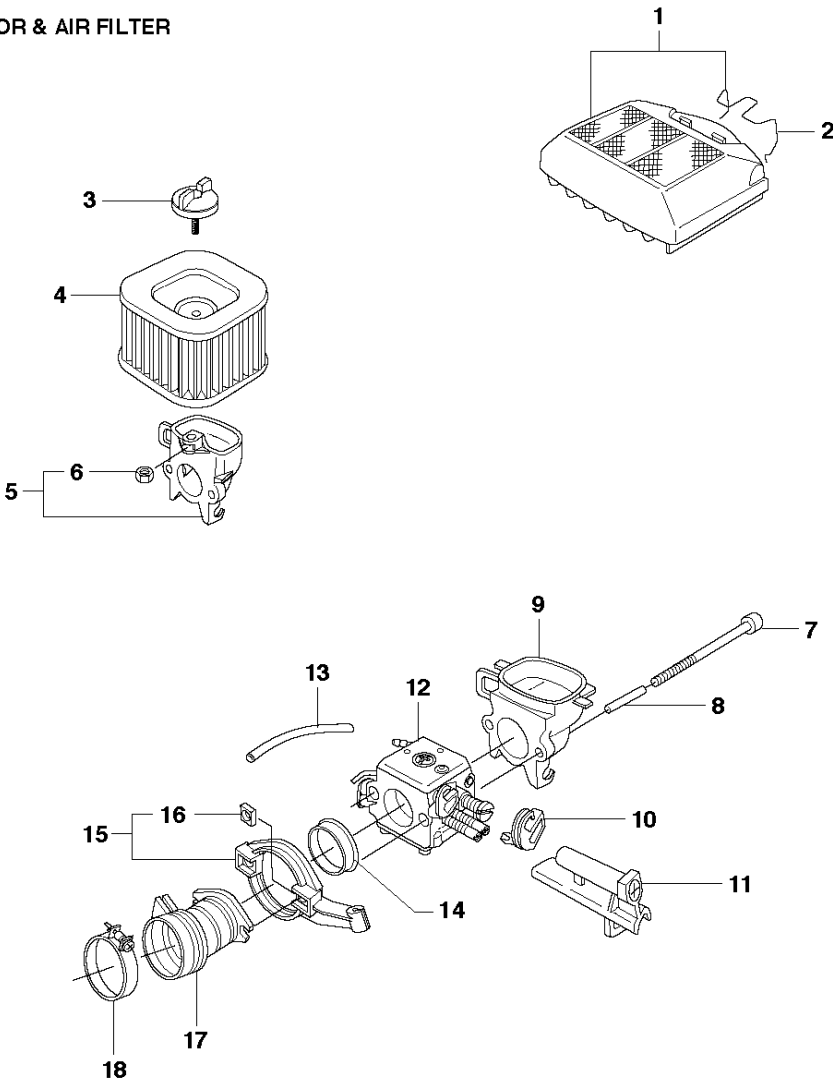


CARBURETOR

372 XP from 2017-11 -

Ref	Part No	Description	Remark	QTY	KIT
1	503 28 18-04	CARBURETTOR	Walbro HD-6B	1	
1	503 28 18-05	CARBURETTOR	Walbro HD-12B	1	
2	501 46 69-01	SCREW		1	
3	503 79 98-01	COVER		1	
4	501 66 69-01	GASKET		1	1, 44
5	502 25 47-01	DIAPHRAGM PUMP		1	1, 44
6	501 66 61-01	SCREEN		1	
7	503 85 59-01	FITTING		1	
8	503 80 14-01	FITTING		1	
9	503 85 58-01	VALVE		1	
10	537 01 91-01	SHAFT ASSY		1	
11	537 01 89-01	LEVER		1	1, 10
12	501 46 87-01	SCREW		1	
13	537 01 90-01	SPRING		1	
14	501 46 85-01	BALL		1	
15	501 46 84-01	SPRING		1	
16	501 46 87-01	SCREW		1	
17	503 79 96-01	LEVER		1	
18	503 80 15-01	WASHER		1	
19	503 80 00-01	VALVE		1	
20	503 80 09-01	SPRING		1	
21	530 03 50-15	SCREW		1	
22	503 79 99-01	SHAFT		1	
23	501 66 78-01	SPRING		1	
24	503 80 08-01	SCREW		1	
25	501 66 77-01	SPRING		1	
26	503 80 11-01	NEEDLE	H Walbro HD-6B	1	
26	503 94 39-01	NEEDLE	H Walbro HD-12B	1	
27	503 91 39-01	LIMITER CAP	Walbro HD-12B	1	
28	501 66 77-01	SPRING		1	
29	504 02 72-13	NEEDLE-IDLE SPEED	L Walbro HD-6B	1	
29	503 94 38-01	NEEDLE	Walbro HD-12B	1	
30	503 91 40-01	LIMITER CAP	Walbro HD-12B	1	
31	503 91 54-01	RETAINER	Walbro HD-12B	1	
32	503 57 42-01	PLUG		1	
33	503 80 04-01	NOZZLE	Walbro HD-6B	1	
33	503 94 36-01	NOZZLE ASSY	Walbro HD-12B	1	
34	503 68 82-01	JET	Walbro HD-6B	1	
34	537 00 33-01	JET	Walbro HD-12B	1	
35	503 56 24-01	SPRING	Walbro HD-6B	1	
35	503 94 37-01	SPRING	Walbro HD-12B	1	
36	503 56 34-01	INLET		1	
37	501 66 83-01	LEVER-METERING		1	
38	505 52 01-25	PIN-METERING LEVER		1	
39	505 31 67-17	SCREW		1	
40	504 13 09-05	GASKET		1	1, 44
41	503 80 07-01	DIAPHRAGM		1	1, 44
42	537 07 76-01	COVER		1	
43	503 10 87-01	SCREW		4	
44	503 64 78-01	REPAIR KIT	B = Set of gaskets	1	

G 372
CARBURETOR & AIR FILTER

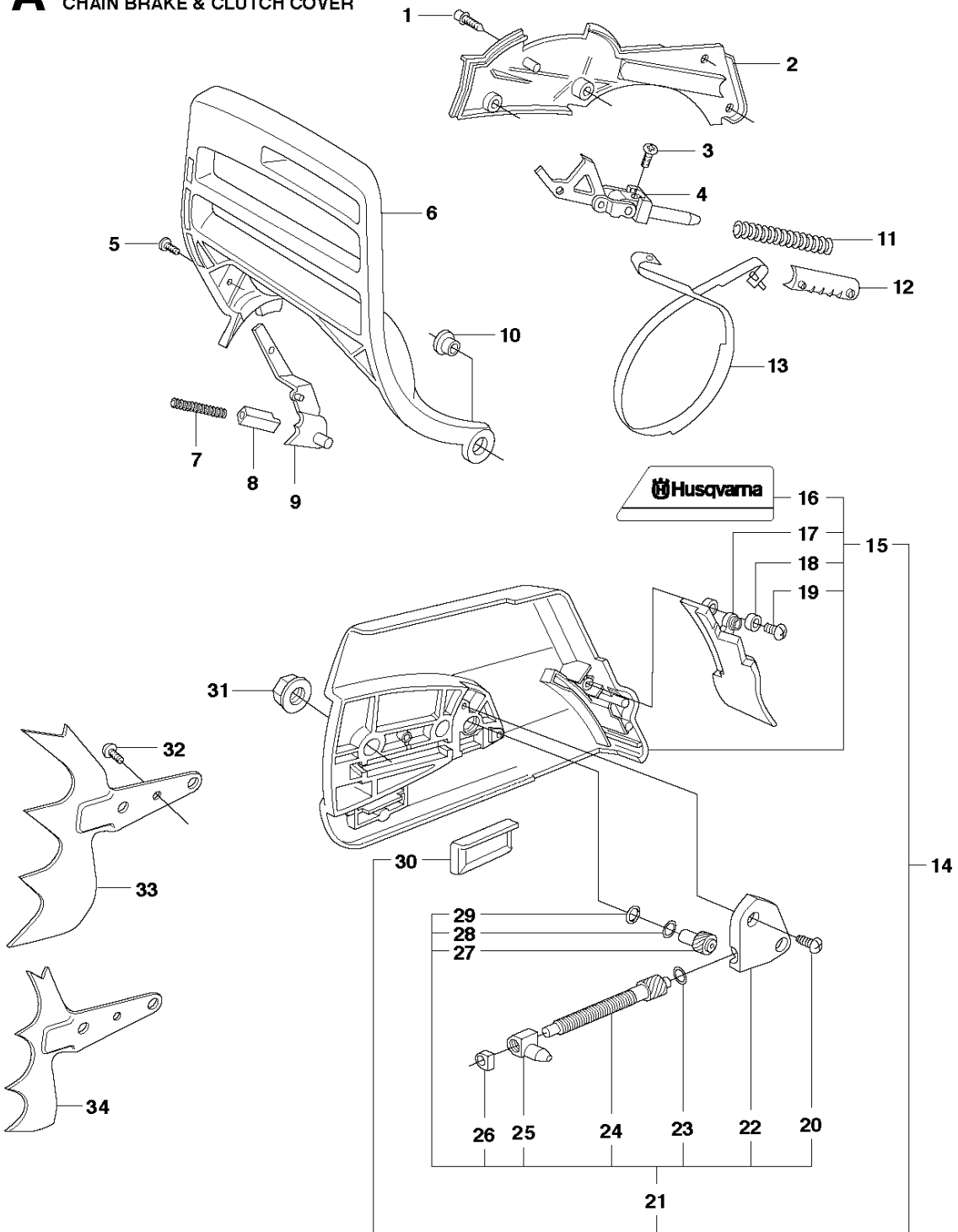


CARBURETOR & AIR FILTER

372 XP from 2017-11 -

Ref	Part No	Description	Remark	QTY	KIT
1	575 26 91-01	AIR FILTER ASSY	80μ	1	
1	575 26 91-02	AIR FILTER ASSY	44μ	1	
1	575 26 91-03	AIR FILTER ASSY	Felt	1	
2	503 73 54-01	CLAMP		1	
3	537 21 32-04	KNOB		1	
4	503 81 80-05	AIR FILTER	80μ	1	
4	503 81 80-06	AIR FILTER	44μ	1	
4	503 81 80-04	AIR FILTER	Felt	1	
5	503 81 78-01	FILTERBLOCK ASSY		1	
6	731 23 14-01	HEXAGON NUT		1	5
7	581 14 30-01	SCREW ITXSCM		2	
8	503 70 11-01	TUBE		2	
9	503 62 75-01	FILTER HOLDER		1	
10	503 68 41-01	LEVER		1	
11	503 66 53-01	GUIDE BUSHING	Walbro HD-6B	1	
11	503 66 74-01	GUIDE BUSHING	Walbro HD-12B	1	
12	503 28 18-04	CARBURETTOR	Walbro HD-6B	1	
12	503 28 18-05	CARBURETTOR	Walbro HD-12B	1	
13	503 40 06-06	IMPULSE HOSE		1	
14	503 43 18-01	SUPPORT SLEEVE		1	
15	503 71 27-01	FLANGE		1	
16	503 22 65-03	SQUARE NUT		2	15
17	503 96 45-02	INLET PIPE	For cold conditions	1	
17	503 96 45-01	INLET PIPE		1	
18	505 28 33-09	HOSE CLAMP		1	

A 372XP
CHAIN BRAKE & CLUTCH COVER

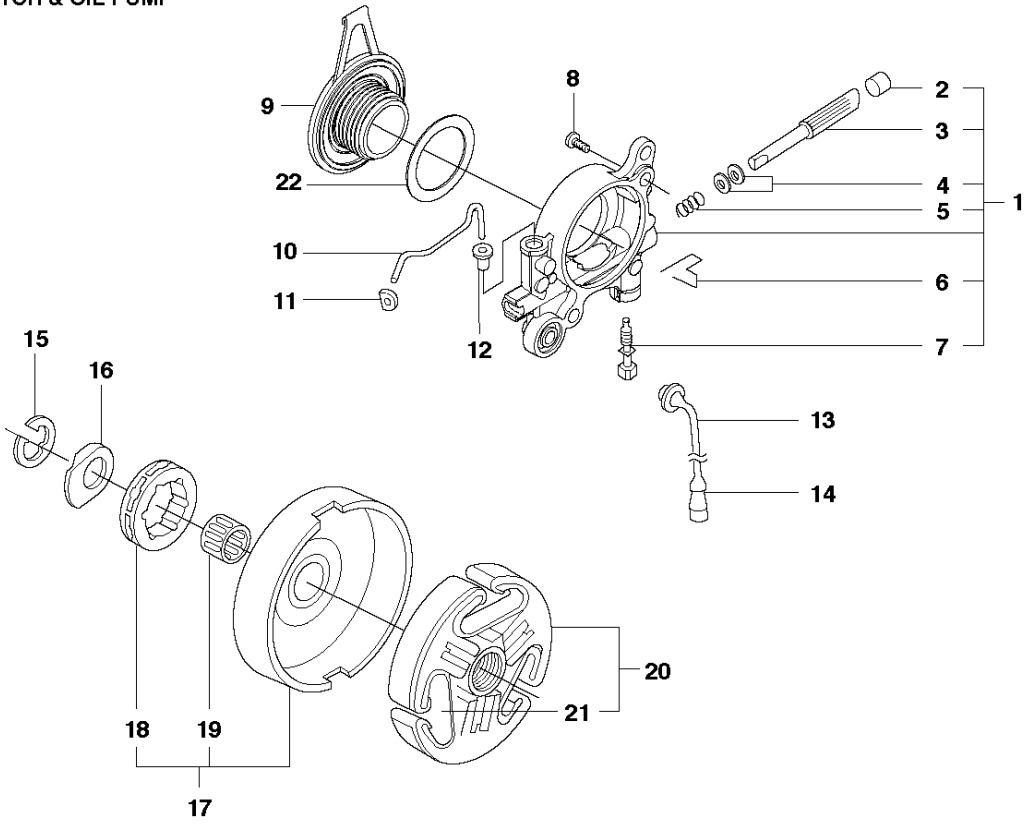


CHAIN BRAKE & CLUTCH COVER

372 XP from 2017-11 -

Ref	Part No	Description	Remark	QTY	KIT
1	525 75 52-01	SCREW ITXSCFM		4	
2	503 75 11-03	HUB CAP		1	
3	525 88 74-02	SCREW CITXPANT		1	
4	501 87 53-03	KNEE JOINT		1	
5	586 43 85-01	SCREW ITXSCM		1	
6	503 76 49-03	HAND GUARD		1	
7	503 43 65-01	POSITION SPRING		1	
8	503 83 81-02	LOCK		1	
9	537 00 87-01	BRAKE LEVER		1	
10	503 77 52-01	BUSHING		1	
11	503 70 99-02	BRAKE SPRING		1	
12	503 79 27-02	SUPPORT		1	
13	503 75 22-02	BRAKE BAND ASSY		1	
14	537 03 35-01	CLUTCH COVER ASSY		1	
15	537 03 35-71	CLUTCH COVER ASSY		1	14
16	537 03 38-03	LABEL		1	14, 15
17	503 76 29-02	CHIP GUARD		1	14, 15
18	503 89 70-01	SLEEVE		1	14, 15
19	525 88 74-02	SCREW CITXPANT		1	14, 15
20	525 88 74-02	SCREW CITXPANT		2	21
21	537 04 41-02	CHAIN TENSIONER		1	14
22	537 01 68-01	COVER		1	14, 21
23	503 23 00-66	WASHER		1	14, 21
24	537 07 95-02	WORM SCREW		1	14, 21
25	503 99 83-01	PAWL		1	14, 21
26	537 01 74-01	BEARING SLEEVE		1	14, 21
27	537 07 94-02	WORM WHEEL		1	14, 21
28	503 23 00-63	WASHER		1	14, 21
29	740 48 07-02	O-RING		1	14, 21
30	501 51 72-01	CHAIN GUIDE		1	14
31	503 22 00-01	HEXAGON NUT		2	
32	525 88 74-02	SCREW CITXPANT		1	
33	503 92 27-01	SPIKE	372 WRAP	1	
34	503 71 97-01	SPIKE		1	

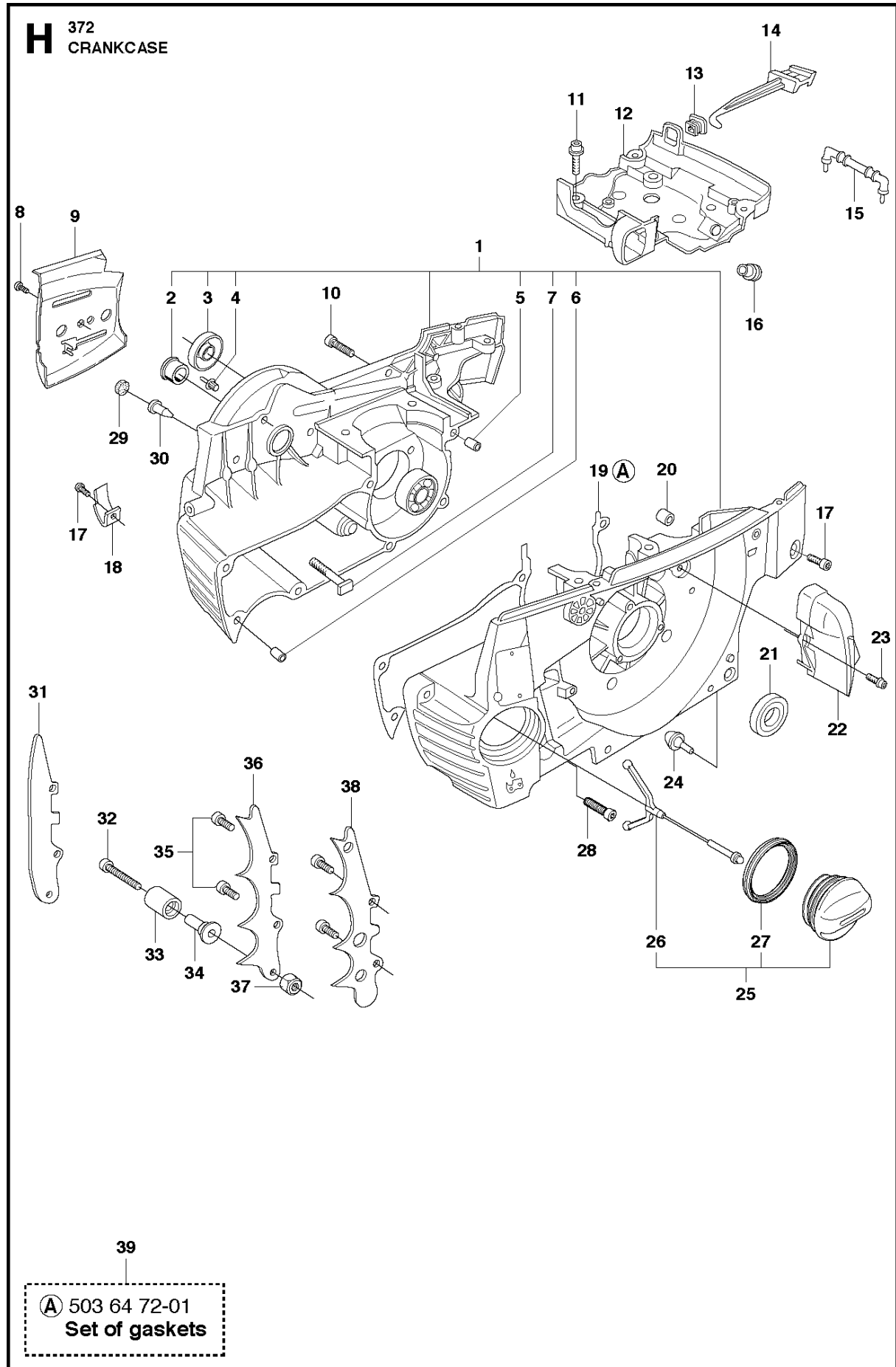
B 372XP
CLUTCH & OIL PUMP



CLUTCH & OIL PUMP

372 XP from 2017-11 -

Ref	Part No	Description	Remark	QTY	KIT
1	503 52 13-03	OIL PUMP ASSY		1	
2	503 62 49-01	SEALING PLUG		1	1
3	503 52 15-01	PUMP PISTON		1	1
4	503 23 00-04	WASHER		2	1
5	501 61 58-01	SPRING		1	1
6	503 81 30-01	SPRING		1	1
7	503 81 13-01	PIN SCREW		1	1
8	525 82 49-12	SCREW ITXSCM		2	
9	537 20 78-07	PUMP PINION		1	
10	503 77 43-01	OIL PIPE		1	
11	503 64 47-01	INLET PIPE		1	
12	504 30 00-26	SEALING		1	
13	503 42 67-01	OIL HOSE		1	
14	501 54 41-02	OIL SCREEN		1	
15	503 27 21-01	E-CLIP		1	
16	503 75 24-01	WASHER		1	
17	586 98 06-01	CLUTCH DRUM ASSY	"3/8"x7T"	1	
17	586 98 06-02	CLUTCH DRUM ASSY	"3/8"x8T"	1	
18	501 59 80-02	RIM	"3/8"x7T"	1	17
18	505 30 36-61	RIM	"3/8"x8T"	1	17
19	503 43 20-01	NEEDLE HOLDER	"3/8"	1	17
20	586 79 84-01	CLUTCH ASSY		1	
21	537 36 06-01	CLUTCH SPRING		3	
22	503 23 00-59	WASHER		1	

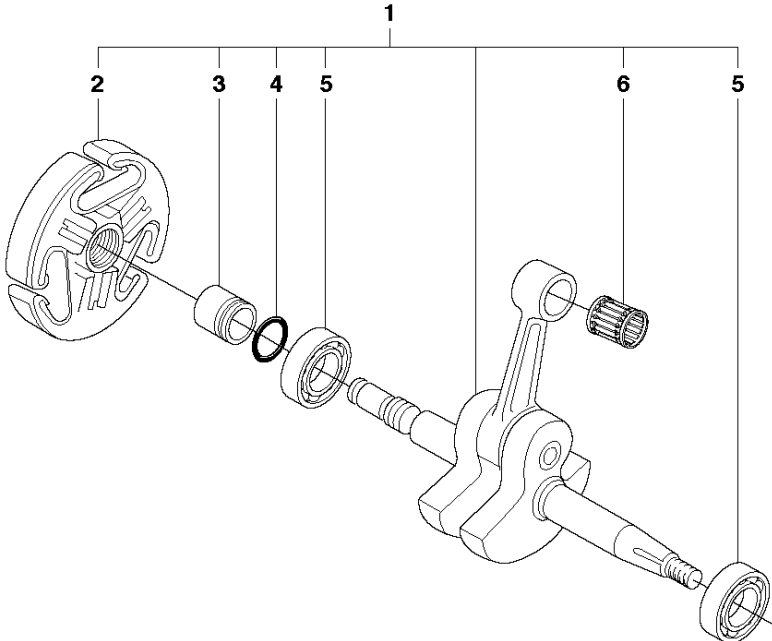


CRANKCASE

372 XP from 2017-11 -

Ref	Part No	Description	Remark	QTY	KIT
1	503 62 68-13	CRANKCASE ASSY		1	
2	503 96 70-01	BUSHING		1	1
3	503 26 03-01	SEALING RING		1	1
4	503 75 18-01	PIN KNEE-JOINT		1	1
5	501 27 08-01	GUIDE BUSHING		1	1
6	501 27 08-01	GUIDE BUSHING		1	1
7	537 05 13-01	BAR BOLT		2	1
8	525 88 74-02	SCREW CITXPANT		1	
9	537 04 66-01	KIT		1	
10	586 44 54-01	SCREW ITXSCM		1	
11	525 75 52-01	SCREW ITXSCFM		4	
12	588 09 37-01	CARBURETTOR AREA BASE		1	
13	503 73 44-01	GROMMET		1	
14	503 62 77-01	CHOKE CONTROL		1	
15	579 46 89-01	SUPPORT		1	
16	537 09 54-01	GROMMET		1	
17	525 82 49-13	SCREW ITXSCM		2	
18	501 68 68-01	CHAIN CATCHER		1	
19	503 62 72-01	GASKET		1	39
20	503 85 73-01	COVER		1	
21	505 27 57-19	SEALING RING		1	
22	503 62 84-01	AIR NOZZLE		1	
23	525 75 52-01	SCREW ITXSCFM		1	
24	503 84 61-01	BUFFER		1	
25	537 21 52-07	TANK CAP ASSY		1	
26	503 57 89-01	HOLDER		1	25
27	589 24 11-01	GASKET		1	25
28	575 79 12-02	SCREW ITXSCM		6	
29	537 40 35-01	FILTER		1	
30	530 02 61-19	CHECK VALVE		1	
31	537 04 29-01	BUMPER		1	
32	525 75 51-03	SCREW ITXSCFM		1	
33	537 02 44-01	WEAR PROTECTION		1	
34	537 08 92-01	CHAIN CATCHER		1	
35	575 79 35-01	SCREW ITXPANM		2	
36	537 01 71-01	SPIKE		1	
37	503 22 24-01	LOCK NUT		1	
38	503 64 79-02	SPIKE		1	
39	503 64 72-01	GASKET KIT	A = Set of gaskets	1	

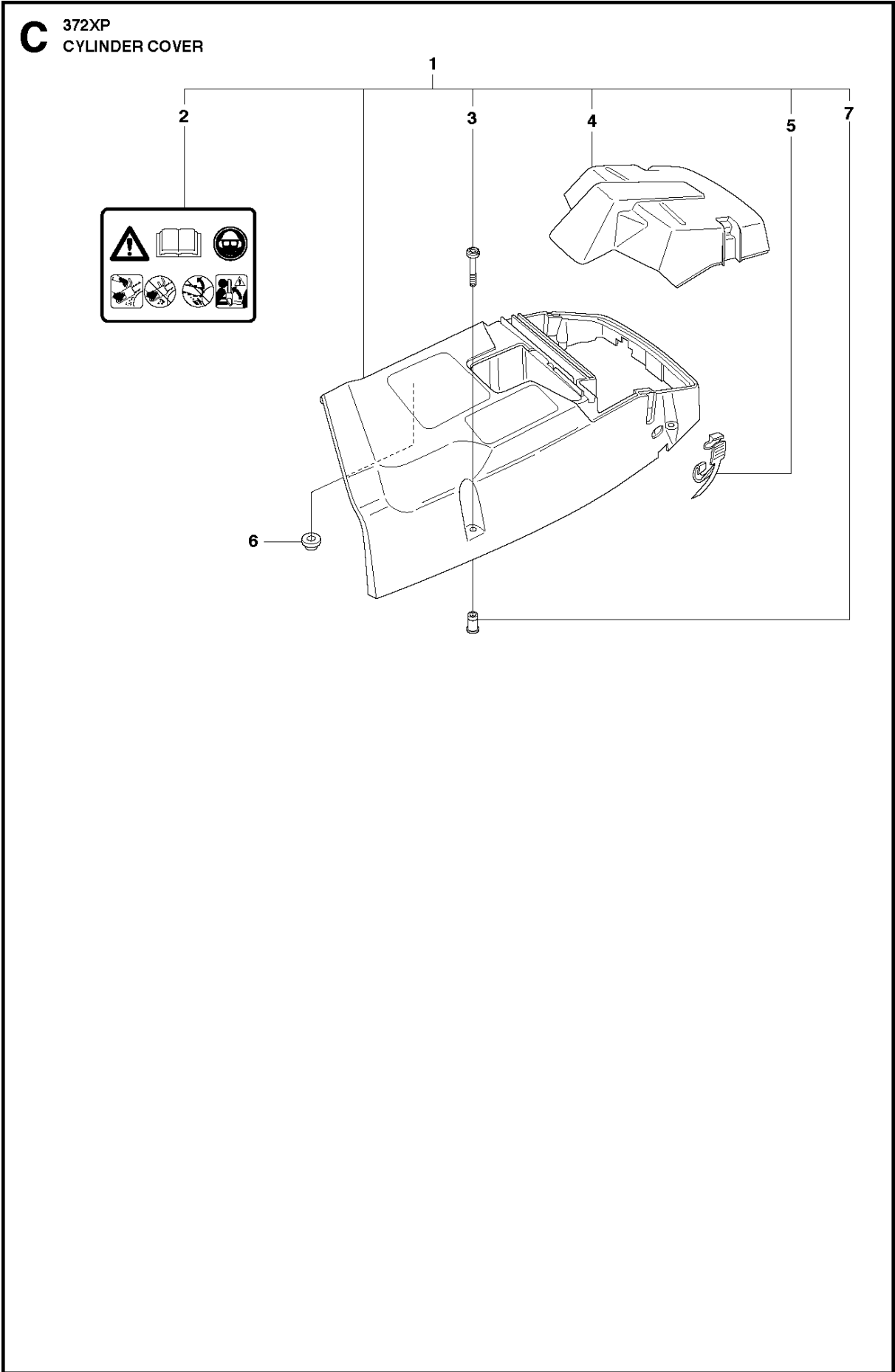
E 372
CRANKSHAFT



CRANKSHAFT

372 XP from 2017-11 -

Ref	Part No	Description	Remark	QTY	KIT
1	503 74 87-05	CRANKSHAFT ASSY		1	
2	586 79 84-01	CLUTCH ASSY		1	1
3	503 77 91-01	SLEEVE		1	1
4	503 26 30-19	O-RING		1	1
5	585 97 50-01	BALL BEARING		2	1
6	577 57 24-01	NEEDLE BEARING		1	1

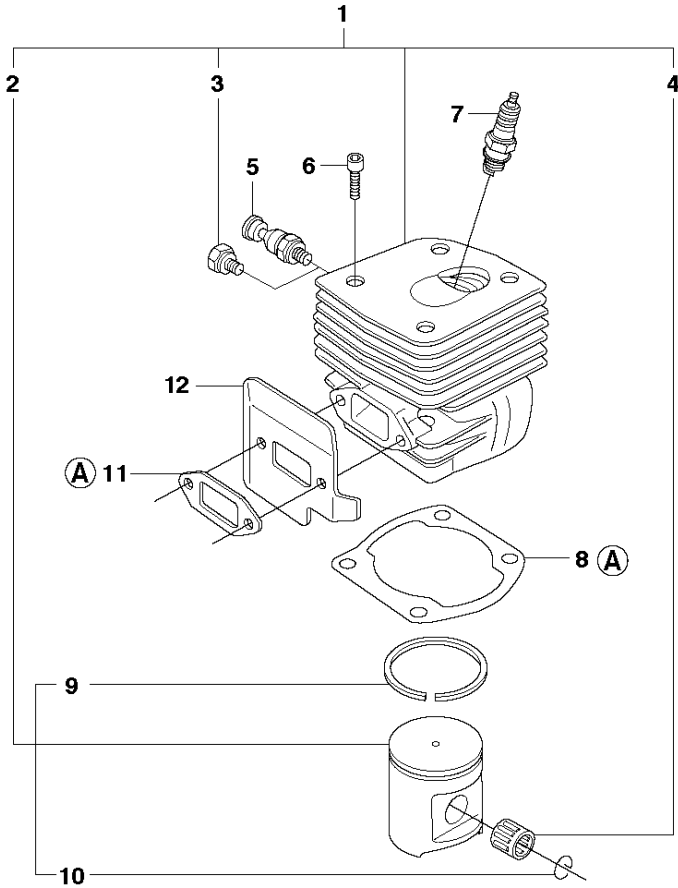


CYLINDER COVER

372 XP from 2017-11 -

Ref	Part No	Description	Remark	QTY KIT	
1	503 62 78-07	CYLINDER COVER ASSY	Std	1	
1	503 62 78-08	CYLINDER COVER ASSY	Hd	1	
2	503 98 74-01	LABEL		1	1
3	525 88 70-01	SCREW CITXPANMO		3	1
4	503 62 80-01	FILTER COVER	Std	1	1
4	503 81 77-01	FILTER COVER	Hd	1	1
5	503 74 01-02	SNAP		2	1
6	537 01 65-01	SUPPORT		1	
7	537 05 59-03	SLEEVE		3	1

D 372
CYLINDER PISTON



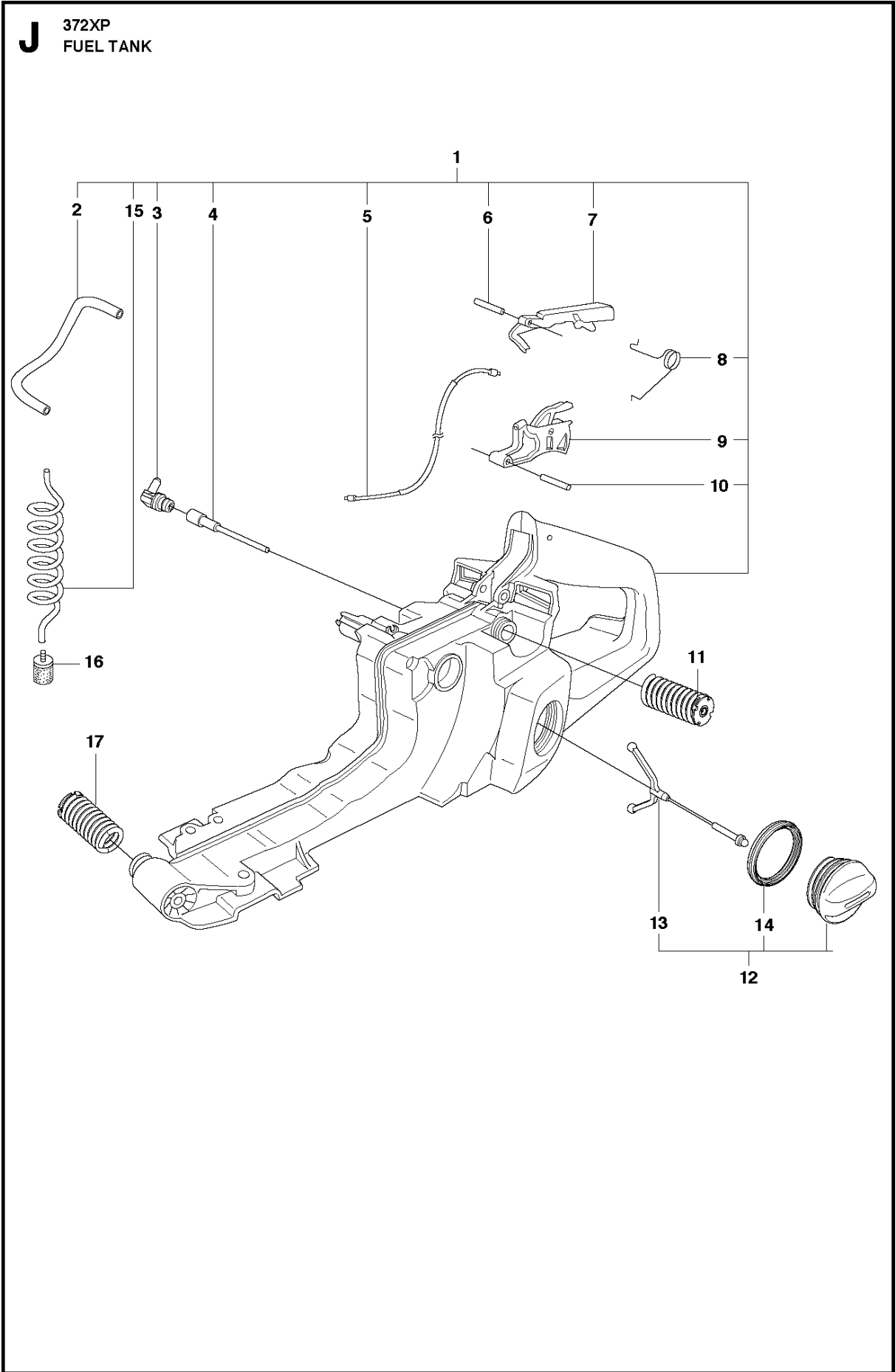
13

A 503 64 72-01
Set of gaskets

CYLINDER PISTON

372 XP from 2017-11 -

Ref	Part No	Description	Remark	QTY	KIT
1	503 62 64-73	CYLINDER ASSY		1	
1	503 93 93-72	CYLINDER ASSY	EPA	1	
2	503 69 12-71	PISTON ASSY		1	1
2	503 93 92-71	PISTON ASSY	EPA	1	1
3	503 55 22-01	PLUG		1	1
4	577 57 24-01	NEEDLE BEARING		1	1
5	503 71 53-01	DECOMPRESSION VALVE		1	
6	525 82 49-03	SCREW ITXSCM		4	
7	503 23 51-11	SPARK PLUG	BPMR7A	1	
8	503 96 15-01	GASKET		1	13
9	503 28 90-42	PISTON RING		1	1, 2
9	503 28 90-36	PISTON RING	EPA	2	1, 2
10	737 43 12-00	SNAP RING		2	1, 2
11	503 77 59-01	GASKET		1	13
12	503 77 58-02	HEAT DEFLECTOR		1	
13	503 64 72-01	GASKET KIT	A = Set of gaskets	1	

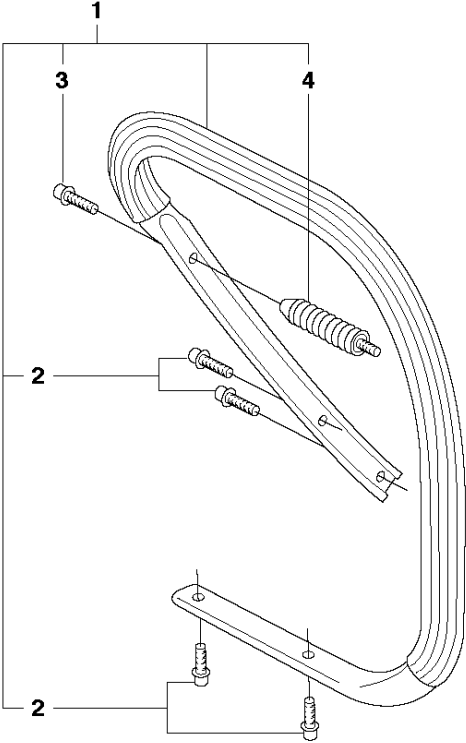


FUEL TANK

372 XP from 2017-11 -

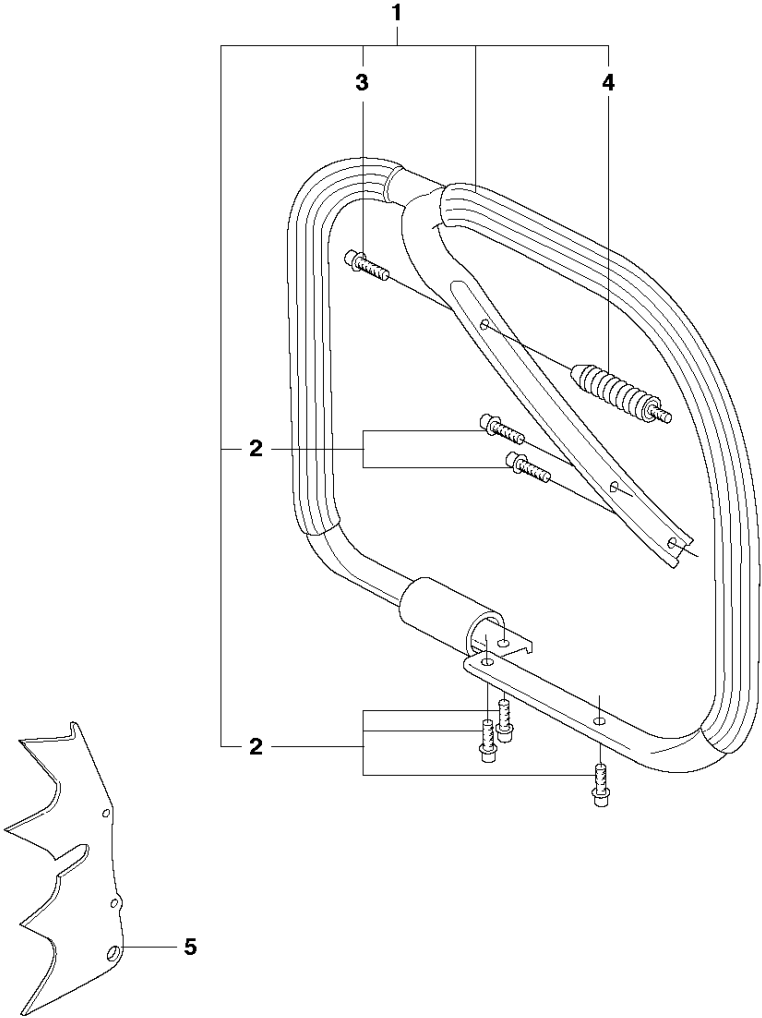
Ref	Part No	Description	Remark	QTY	KIT
1	544 11 40-07	FUEL TANK		1	1
2	581 75 61-06	FUEL HOSE		1	1
3	537 09 93-01	CONNECTION BEND		1	1
4	537 09 22-01	TANK VENT ASSY		1	1
5	503 71 76-01	THROTTLE WIRE ASSY		1	1
6	720 12 40-20	PARALLEL PIN		1	1
7	503 55 66-01	THROTTLE LOCKOUT		1	1
8	503 73 64-01	SPRING		1	1
9	503 82 98-01	TRIGGER		1	1
10	720 12 72-20	PARALLEL PIN		1	
11	503 89 56-01	ANTIVIBRATION ELEMENT	Std	1	
11	503 89 56-02	ANTIVIBRATION ELEMENT	Hard	1	
12	537 21 52-07	TANK CAP ASSY		1	
13	503 57 89-01	HOLDER		1	12
14	589 24 11-01	GASKET		1	12
15	581 75 62-02	FUEL HOSE		1	1
16	503 44 32-01	FUEL FILTER		1	
17	503 63 76-01	ANTIVIBRATION ELEMENT	Std	1	
17	503 63 76-02	ANTIVIBRATION ELEMENT	Hard	1	

K1 372
HANDLE



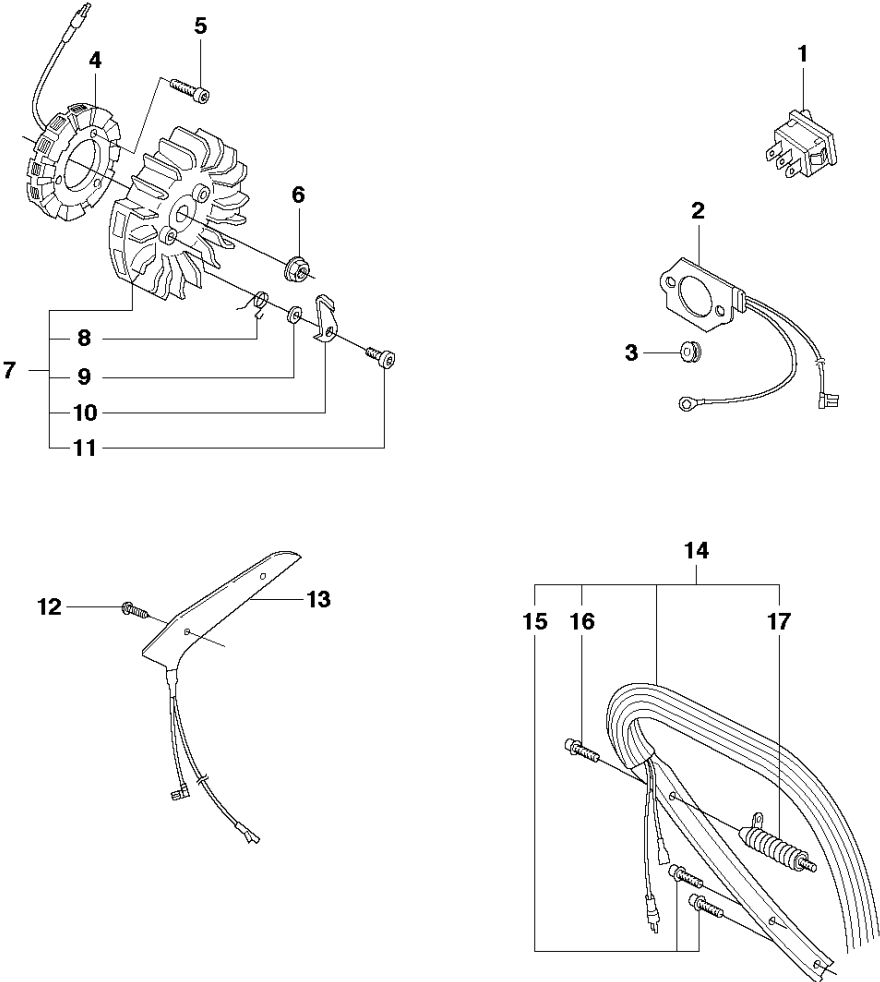
Ref	Part No	Description	Remark	QTY KIT	
1	503 62 67-71	FRONT HANDLE ASSY		1	
2	586 44 30-01	SCREW ITXSCFT		4	1
3	586 44 00-01	SCREW ITXSCFT		1	1
4	503 63 75-04	ANTIVIBRATION ELEMENT	Std	1	1
4	503 63 75-05	ANTIVIBRATION ELEMENT	Hard	1	

K2 372XP
HANDLE



Ref	Part No	Description	Remark	QTY KIT	
1	503 62 86-71	HANDLE	WRAP	1	
1	503 62 86-02	HANDLE	WRAP G No screws or antivibration element included.	1	
2	586 44 30-01	SCREW ITXSCFT		5	1
3	586 44 00-01	SCREW ITXSCFT		1	1
4	503 63 75-04	ANTIVIBRATION ELEMENT	Wrap	1	1
4	503 68 45-04	ANTIVIBRATION ELEMENT	WRAP G	1	
5	537 01 72-01	SPIKE		1	

L2 372XP
HEATED HANDLES/HEATED CARB. MANUAL

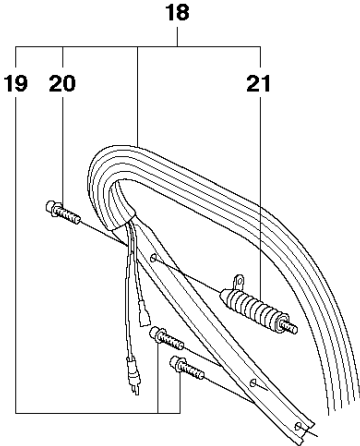
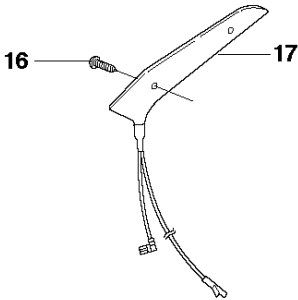
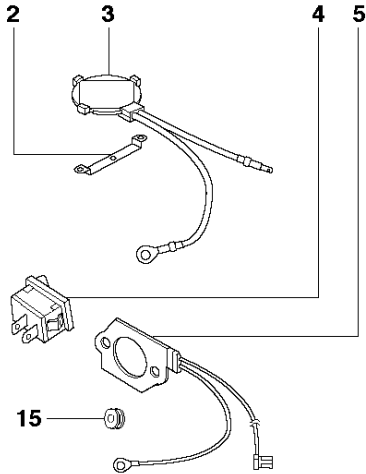
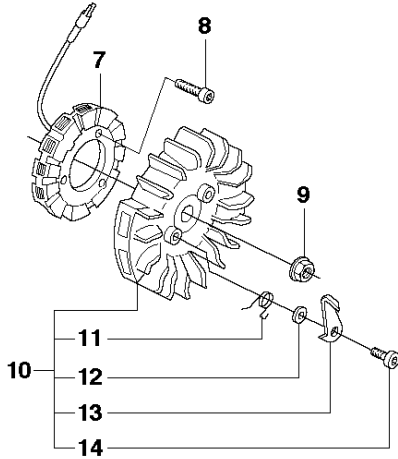


HANDLES HEATED

372 XP from 2017-11 -

Ref	Part No	Description	Remark	QTY KIT	
1	503 64 02-01	SWITCH		1	
2	537 15 37-01	FOIL ELEMENT		1	
3	501 43 00-01	CABLE GROMMET		1	
4	501 80 24-03	STATOR ASSY		1	
5	586 43 85-02	SCREW ITXSCM		3	
6	503 22 04-01	NUT		1	
7	537 05 16-04	FLYWHEEL ASSY		1	
8	501 67 35-01	SPRING		2	7
9	503 23 00-42	WASHER		2	7
10	537 01 55-01	STARTER PAWL		2	7
11	506 00 69-01	SCREW		2	7
12	586 50 54-01	SCREW ITXCSRT		2	
13	503 70 59-01	HEATING PLATE		1	
14	503 62 67-72	FRONT HANDLE ASSY	G	1	
15	586 44 30-01	SCREW ITXSCFT		4	14
16	586 44 00-01	SCREW ITXSCFT		1	14
17	503 68 45-04	ANTIVIBRATION ELEMENT	G	1	14

L1 372XP
HEATED HANDLES/HEATED CARB. THERMOSTAT

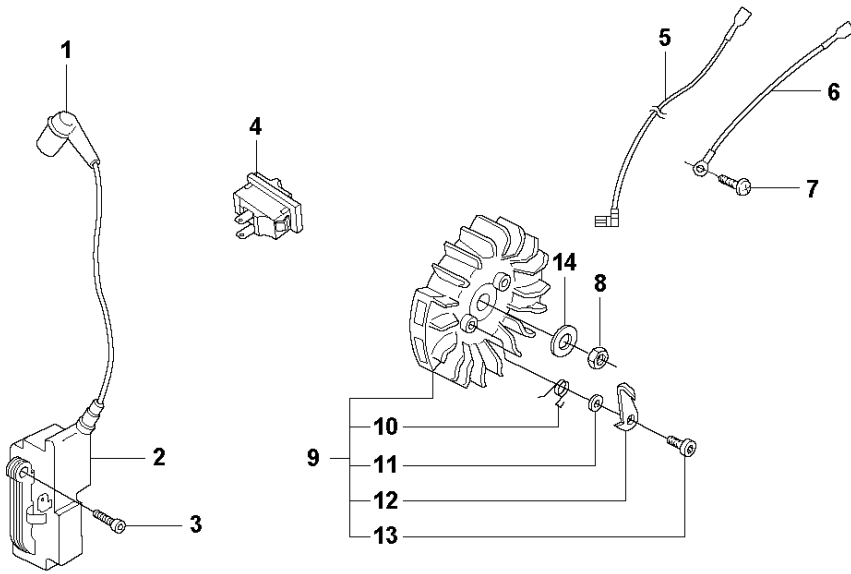


HANDLES HEATED

372 XP from 2017-11 -

Ref	Part No	Description	Remark	QTY	KIT
2	537 06 04-01	RETAINER		1	
3	537 18 98-01	THERMOSTAT ASSY		1	
4	503 55 49-01	SWITCH		1	
5	537 07 14-02	FOIL ELEMENT		1	
7	537 07 18-02	STATOR ASSY		1	
8	586 43 85-02	SCREW ITXSCM		3	
9	503 22 04-01	NUT		1	
10	537 05 16-06	FLYWHEEL ASSY		1	
11	501 67 35-01	SPRING		2	10
12	503 23 00-42	WASHER		2	10
13	537 01 55-01	STARTER PAWL		2	10
14	506 00 69-01	SCREW		2	10
15	501 43 00-01	CABLE GROMMET		1	
16	503 21 38-01	SCREW CRCSRT		2	
17	503 70 59-01	HEATING PLATE		1	
18	503 62 67-72	FRONT HANDLE ASSY	G	1	
19	503 21 49-72	SCREW IHSCFT		4	18
20	586 44 00-01	SCREW ITXSCFT		1	18
21	503 68 45-04	ANTIVIBRATION ELEMENT	G	1	18

M 372XP
IGNITION SYSTEM

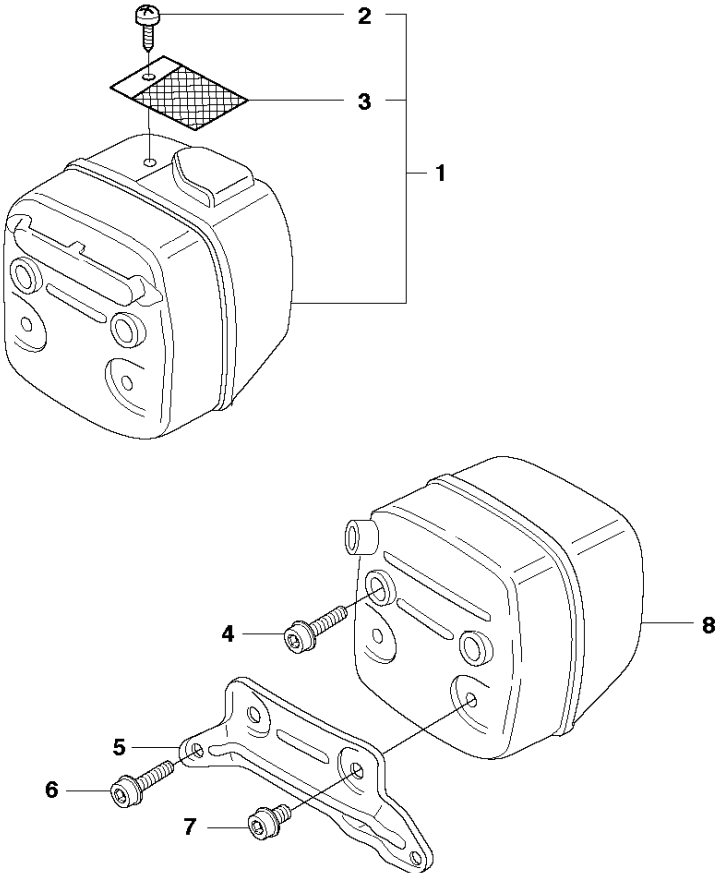


IGNITION SYSTEM

372 XP from 2017-11 -

Ref	Part No	Description	Remark	QTY	KIT
1	501 48 54-02	SPARK PLUG CAP		1	
2	586 88 03-04	IGNITION MODULE		1	
3	582 02 97-01	SCREW ITXSCM		2	
4	503 71 82-01	SWITCH		1	
5	503 62 61-01	CABLE		1	
6	503 89 76-01	CABLE		1	
7	525 88 74-02	SCREW CITXPANT		1	
8	503 22 10-11	HEXAGON NUT		1	
9	537 05 16-05	FLYWHEEL ASSY		1	
10	501 67 35-01	SPRING		2	9
11	503 23 00-42	WASHER		2	9
12	537 01 55-01	STARTER PAWL		2	9
13	506 00 69-01	SCREW		2	9
14	503 23 01-01	WASHER		1	

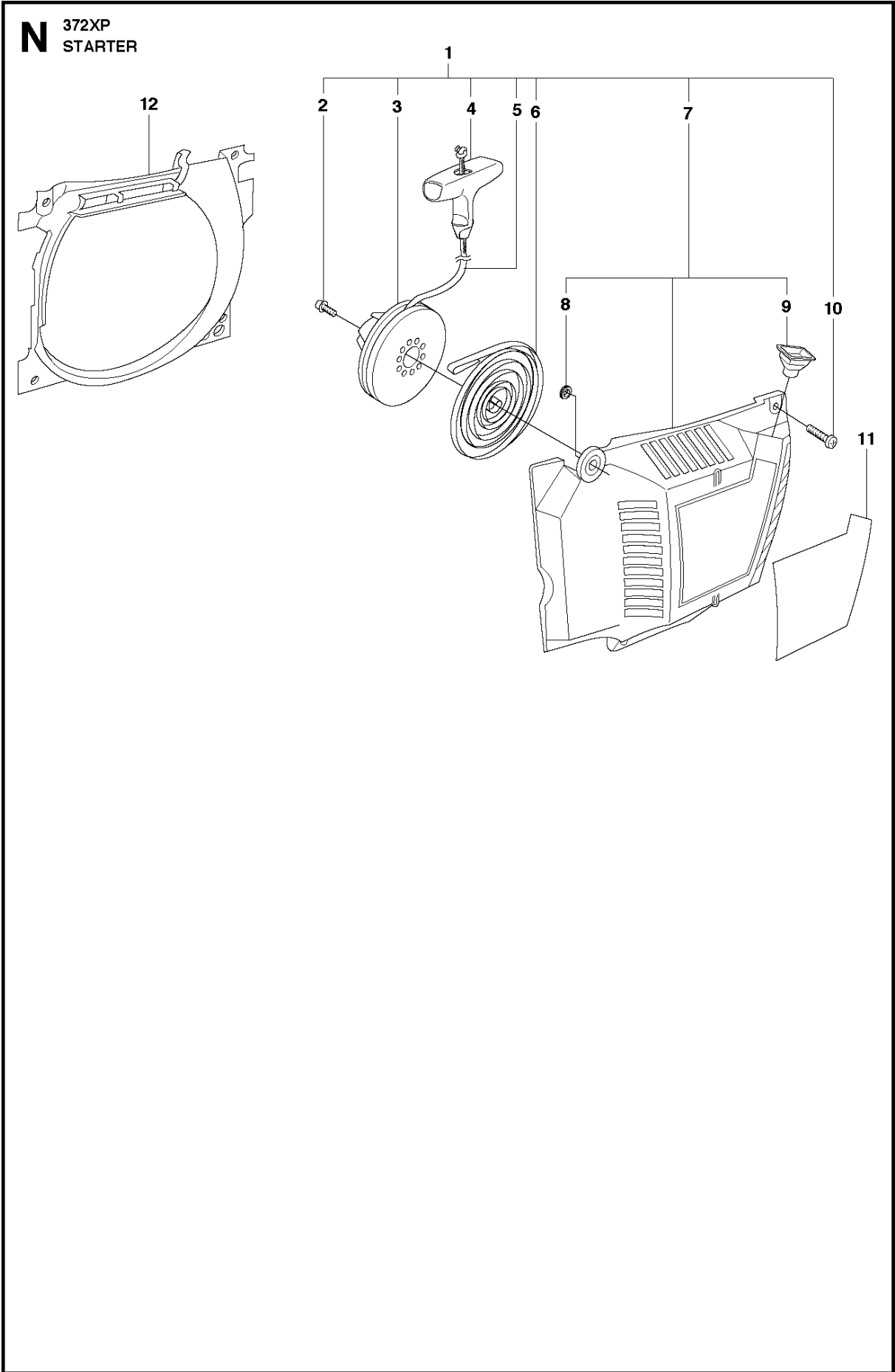
F 372XP
MUFFLER



MUFFLER

372 XP from 2017-11 -

Ref	Part No	Description	Remark	QTY	KIT
1	544 02 97-02	MUFFLER ASSY	DF	1	
2	724 12 87-59	SCREW CRPANM		1	1
3	503 76 64-02	SPARK ARRESTER SCREEN		1	1
4	525 82 51-01	SCREW ITXSCM		2	
5	579 02 59-01	SUPPORT		1	
6	503 20 07-74	SCREW IHSCFM		2	
7	503 20 07-02	SCREW IHSCFM		2	
8	544 02 95-01	MUFFLER ASSY	Tube	1	
8	544 02 95-02	MUFFLER ASSY	Jungle	1	



STARTER

372 XP from 2017-11 -

Ref	Part No	Description	Remark	QTY	KIT
1	503 62 81-71	STARTER ASSY		1	
2	586 44 31-01	SCREW ITXSCFT		1	1
3	503 85 96-01	STARTER PULLEY		1	1
4	522 03 73-01	STARTER HANDLE		1	1
5	503 43 29-02	STARTER CORD		1	1
6	537 28 36-02	RECOIL SPRING		1	1
7	503 62 82-02	STARTER HOUSING		1	1
8	537 08 67-01	BUSHING		1	1, 7
9	501 63 06-01	SLEEVE		1	1, 7
10	525 82 45-01	SCREW CITXPANMO		4	1, 7
11	537 23 02-01	LABEL	XP	1	1, 7
11	537 23 02-06	LABEL	XPG	1	1, 7
12	503 62 83-01	AIR CONDUCTOR		1	