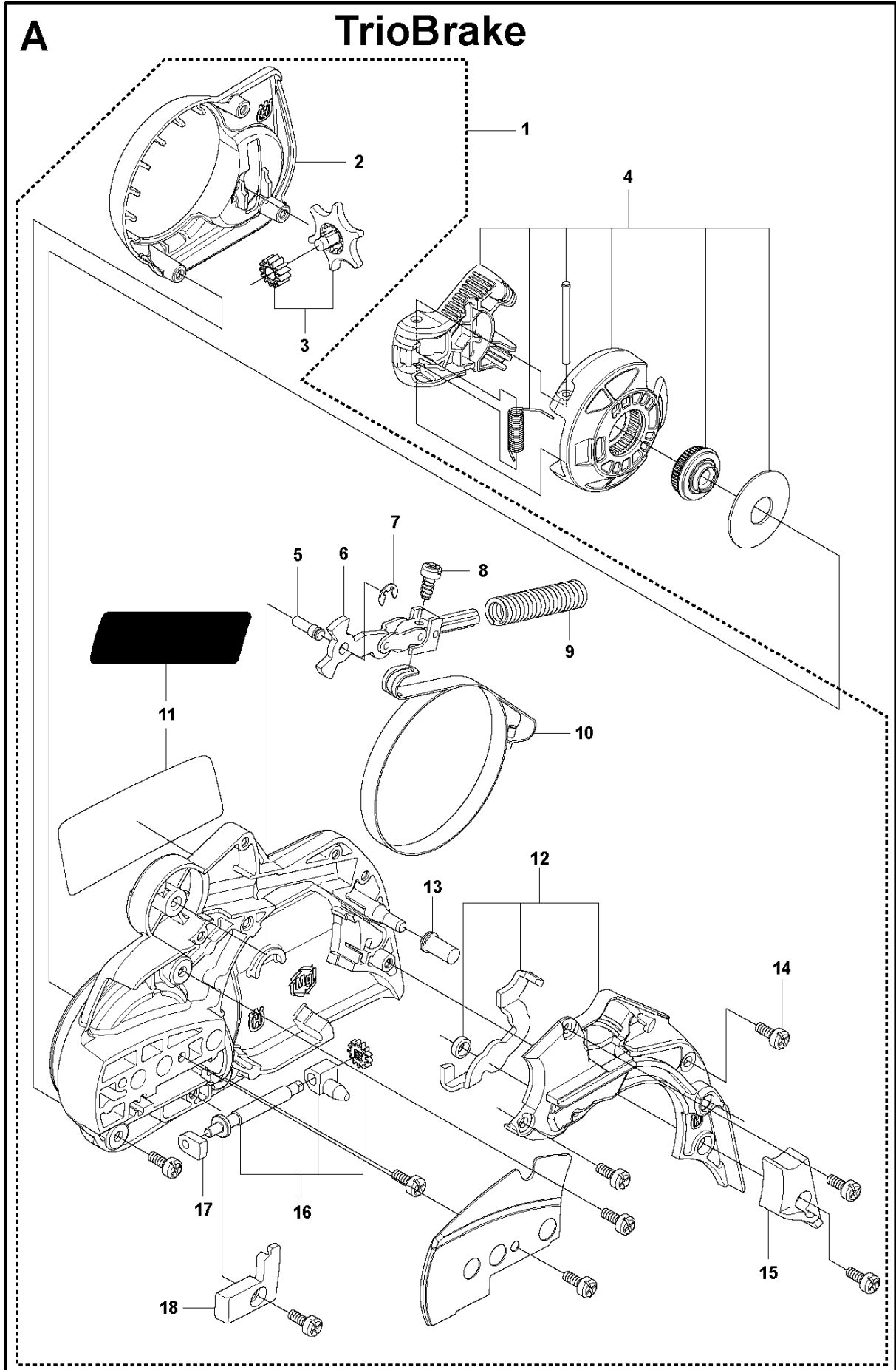




# SPARE PARTS LIST

CHAIN SAWS

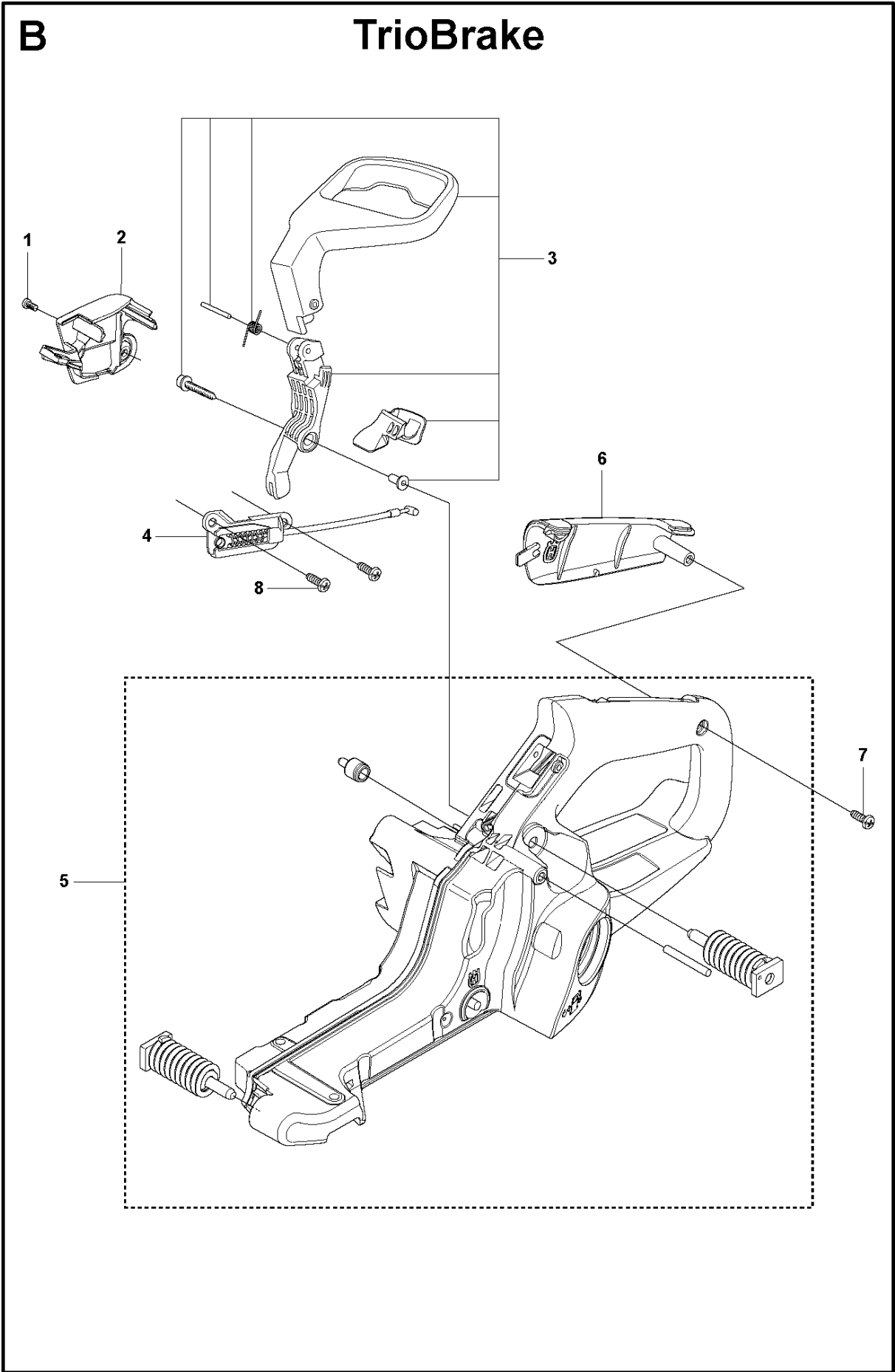
445 E TRIOBRAKE, 2011-05 -



## CHAIN BRAKE &amp; CLUTCH COVER

445 E TRIOBRAKE, 2011-05 -

Ref	Part No	Description	Remark	QTY	KIT
1	505 32 42-01	CLUTCH COVER ASSY		1	
2	537 39 26-01	HEAT PROTECTOR		1	1
3	537 34 72-01	CHAIN TENSIONER		1	1
4	537 34 78-01	KNOB		1	
5	503 89 29-01	PIN KNEE-JOINT		1	1
6	503 89 08-02	KNEE JOINT ASSY		1	1
7	735 31 08-20	E-CLIP		1	1
8	503 21 70-10	SCREW CCRPANT		1	1
9	503 46 59-01	BRAKE SPRING		1	1
10	537 04 30-01	BRAKE BAND ASSY		1	1
11	544 35 75-01	LABEL		1	1
12	502 30 61-01	COVER LID		1	1
13	503 85 52-01	GUIDE BUSHING		1	1
14	503 21 70-10	SCREW CCRPANT		9	1
15	544 08 30-01	WEAR PROTECTION		1	1
16	537 39 29-01	SCREW		1	1
17	544 84 55-01	BEARING SLEEVE		1	1
18	504 54 28-01	COVER LID		1	1



## FUEL TANK &amp; HANDLE

445 E TRIOBRAKE, 2011-05 -

Ref	Part No	Description	Remark	QTY KIT
1	503 21 70-72	SCREW CCRPANT		1
2	504 10 62-01	COVER LID		1
3	510 06 87-01	HAND GUARD		1
4	505 52 96-01	WIRE ASSY		1
5	504 10 60-02	FUEL TANK ASSY		1
6	504 10 63-01	HANDLE INSERT		1
7	503 21 28-10	SCREW CCRPANT		1
8	503 21 70-72	SCREW CCRPANT		2

# Illustrated Parts List - IPL Update



Product Name(s)

**H445e Triobrake**

Description of change

1. New improved Fuel tank ventilation 501 15 29-01 added on tank 504 10 60-02. Tank ventilation improved regarding higher opening pressure.

Comments

Fully exchangeable

Introduced from

Serial number / Date	Remark
s/n 20163600193	Valid for Fuel tank, assy.

IPL updates

Page Title	Ref. no	New part no	Name	Excl. part no.	Remark
Fuel tank	1	504 10 60 -02	Fuel tank, assy	504 10 60 -01	