

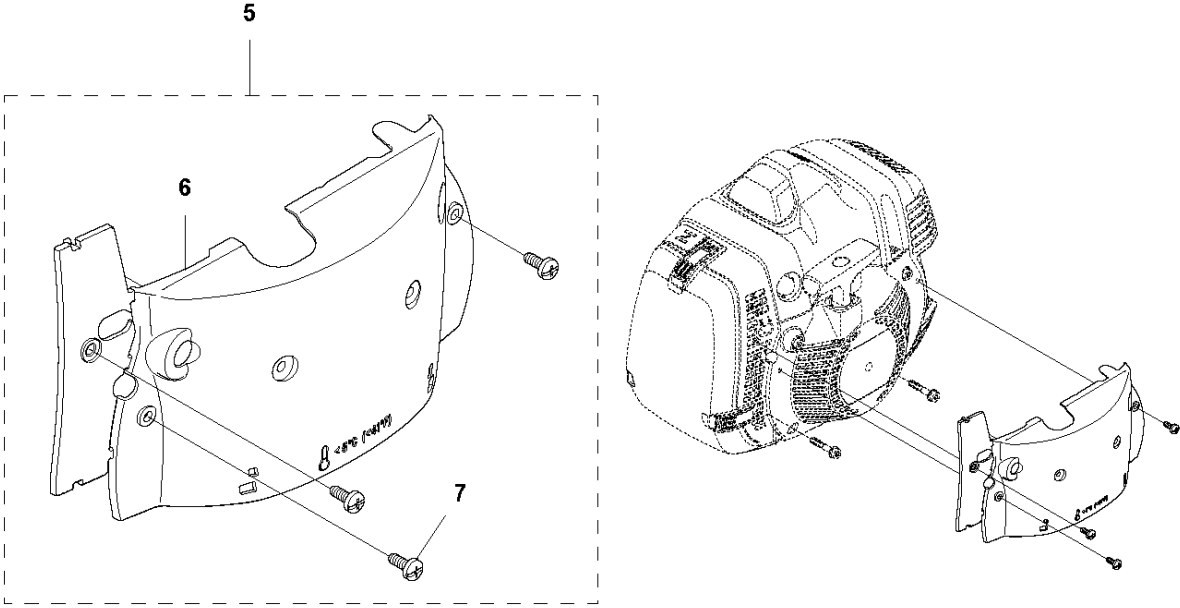
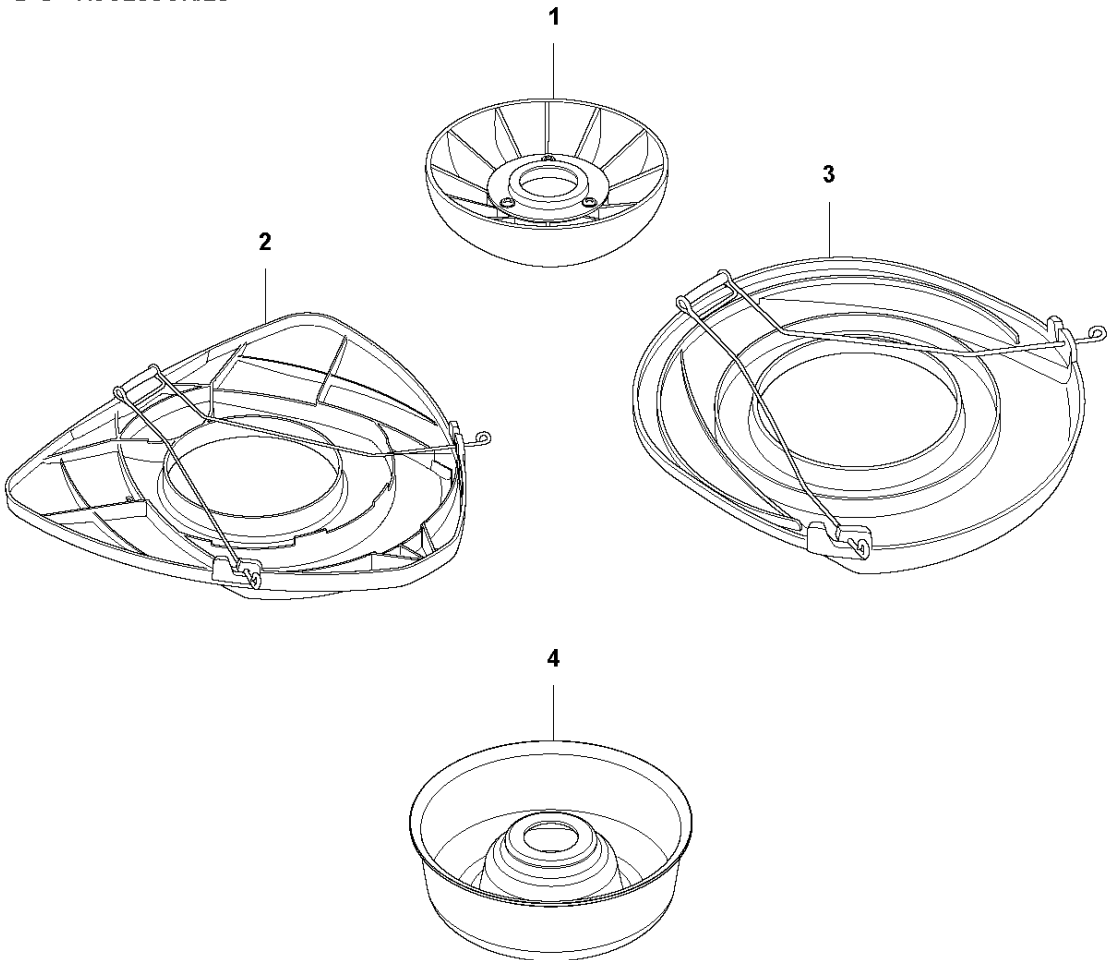


SPARE PARTS LIST

BRUSHCUTTERS/CLEARING SAWS

545 RXT

R4 545 FX, 545 FXT, 545 RX, 545 RXT, 345 FR
ACCESSORIES



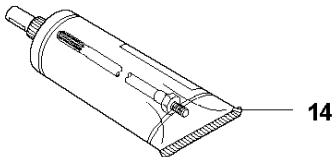
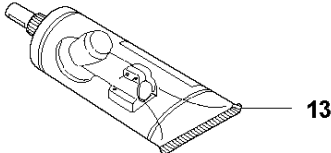
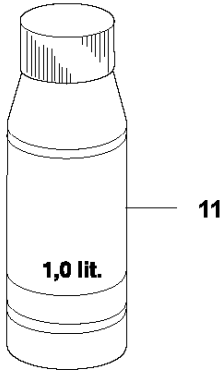
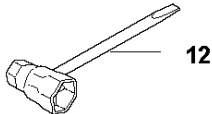
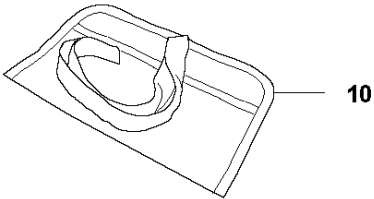
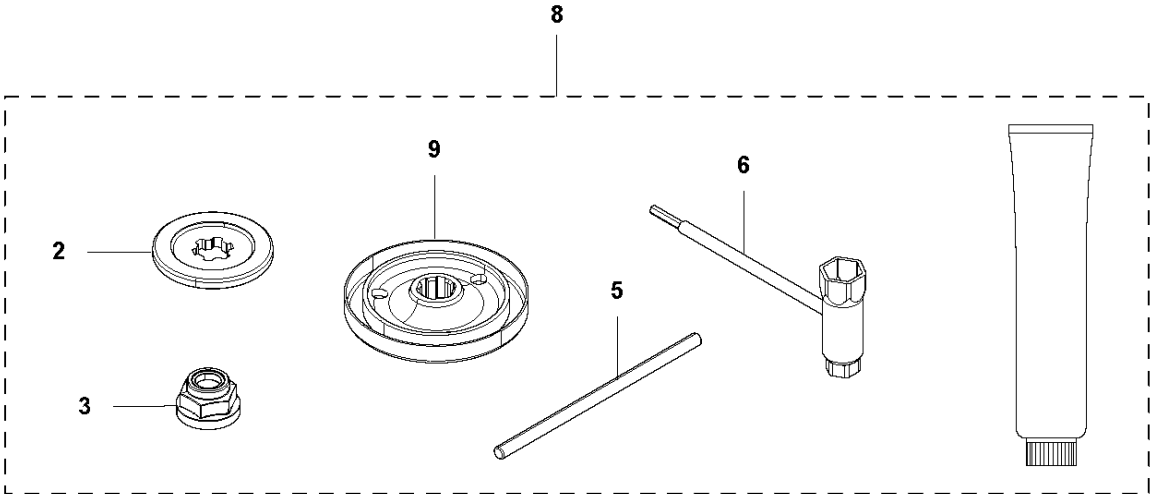
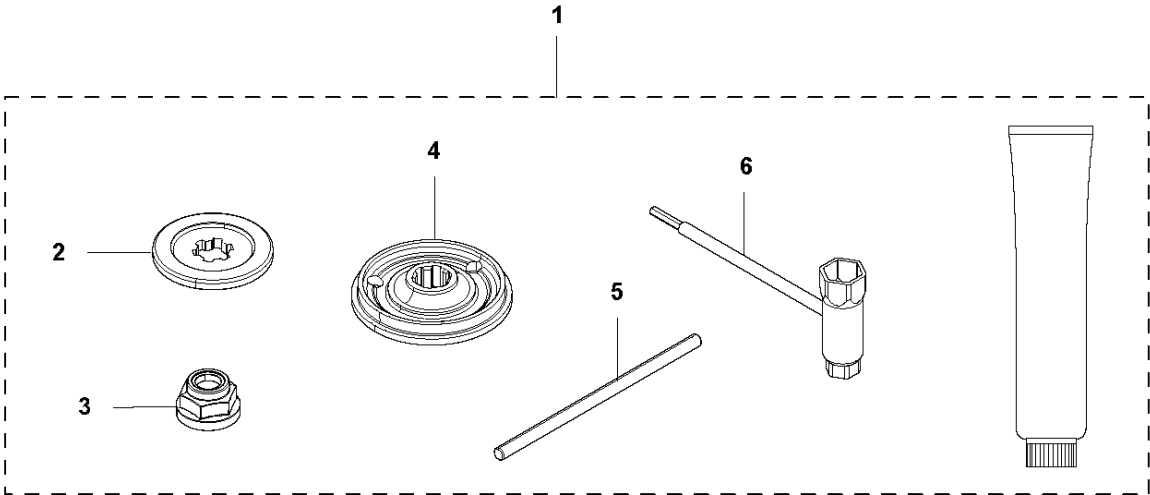
ACCESSORIES

545 RXT

Ref	Part No	Description	Remark	QTY	KIT
1	502 15 70-02	SUPPORT CUP		1	
2	544 35 91-01	TRANSPORT GUARD		1	
3	537 31 29-01	SAW BLADE GUARD		1	
4	544 38 02-01	SUPPORT CUP		1	
5	577 04 39-01	KIT		1	
6	522 55 09-01	WINTER COVER		1	5
7	503 21 70-10	SCREW CCRPANT		3	5

R1 545 FX, 545 FXT, 545 RX, 545 RXT, 345 FR

ACCESSORIES

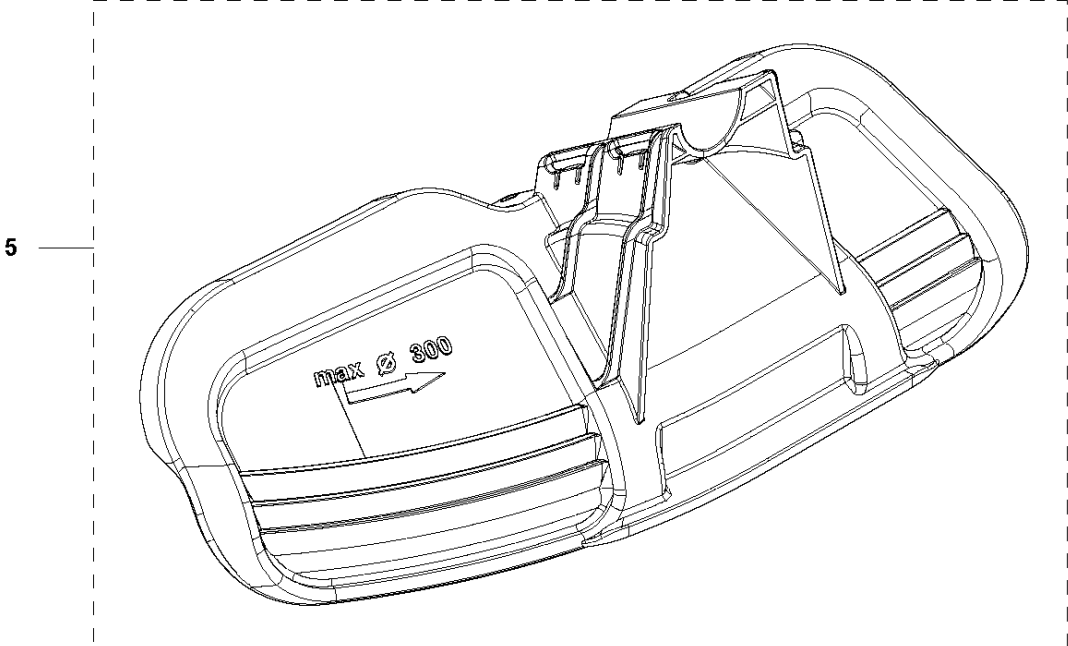
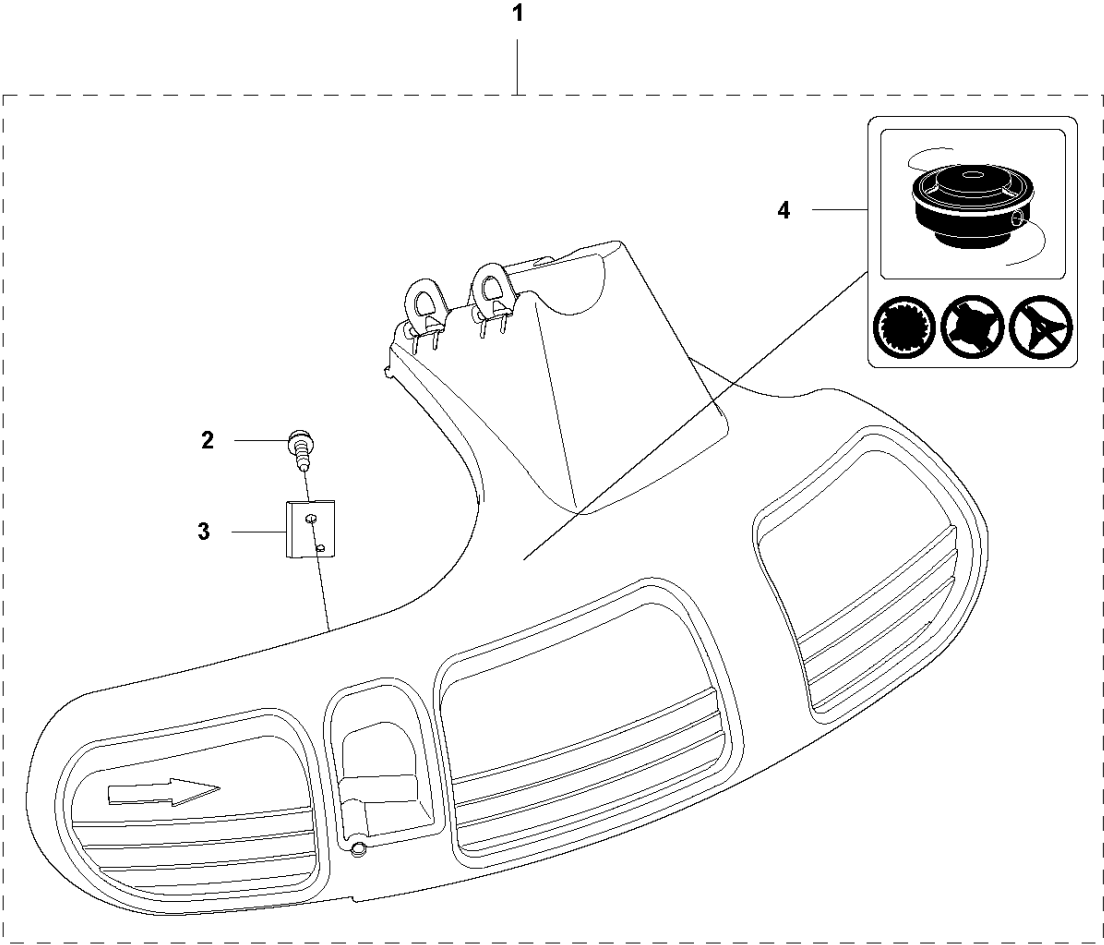


ACCESSORIES

545 RXT

Ref	Part No	Description	Remark	QTY	KIT
1	502 21 60-24	ACCESSORY BAG	545FX, 545FXT	1	
2	537 34 35-02	SUPPORT FLANGE		1	1,8
3	502 29 11-01	NUT BLADE		1	1,8
4	544 19 78-01	DRIVER		1	1
5	502 28 59-01	STOP		1	1,8
6	537 36 21-02	COMBINATION WRENCH		1	1,8
8	502 21 60-27	ACCESSORY BAG	545RX, 545RXT, 345FR	1	
9	537 35 14-02	DRIVER		1	8
10	501 19 22-01	TOOL		1	
11	531 00 92-48	FILTER OIL		1	
12	537 36 21-01	COMBINATION WRENCH		1	
13	503 97 64-01	GREASE		1	
14	503 80 17-01	GREASE		1	

R10 545 RXT
ACCESSORIES

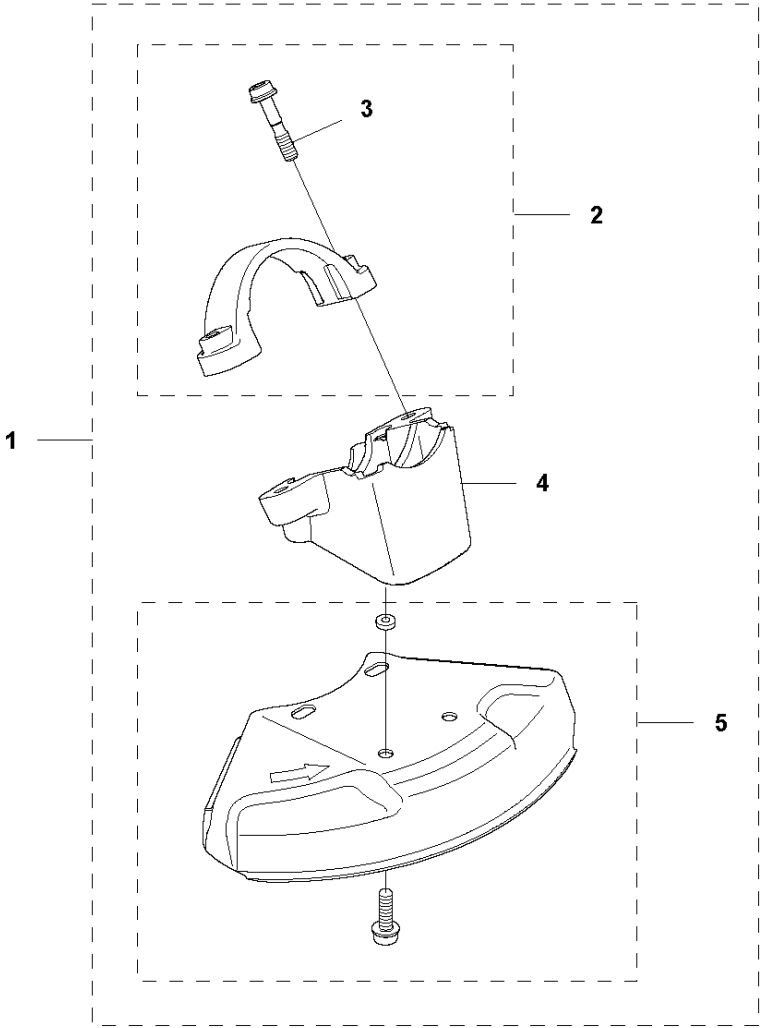


ACCESSORIES

545 RXT

Ref	Part No	Description	Remark	QTY	KIT
1	503 95 43-01	TRIMMER GUARD		1	
2	503 21 07-16	SCREW IHST		1	1
3	503 79 88-01	BLADE		1	1
4	503 74 29-01	DECAL		1	1
5	537 28 85-01	GRASS BLADE GUARD		1	

R12 545 RXT
ACCESSORIES

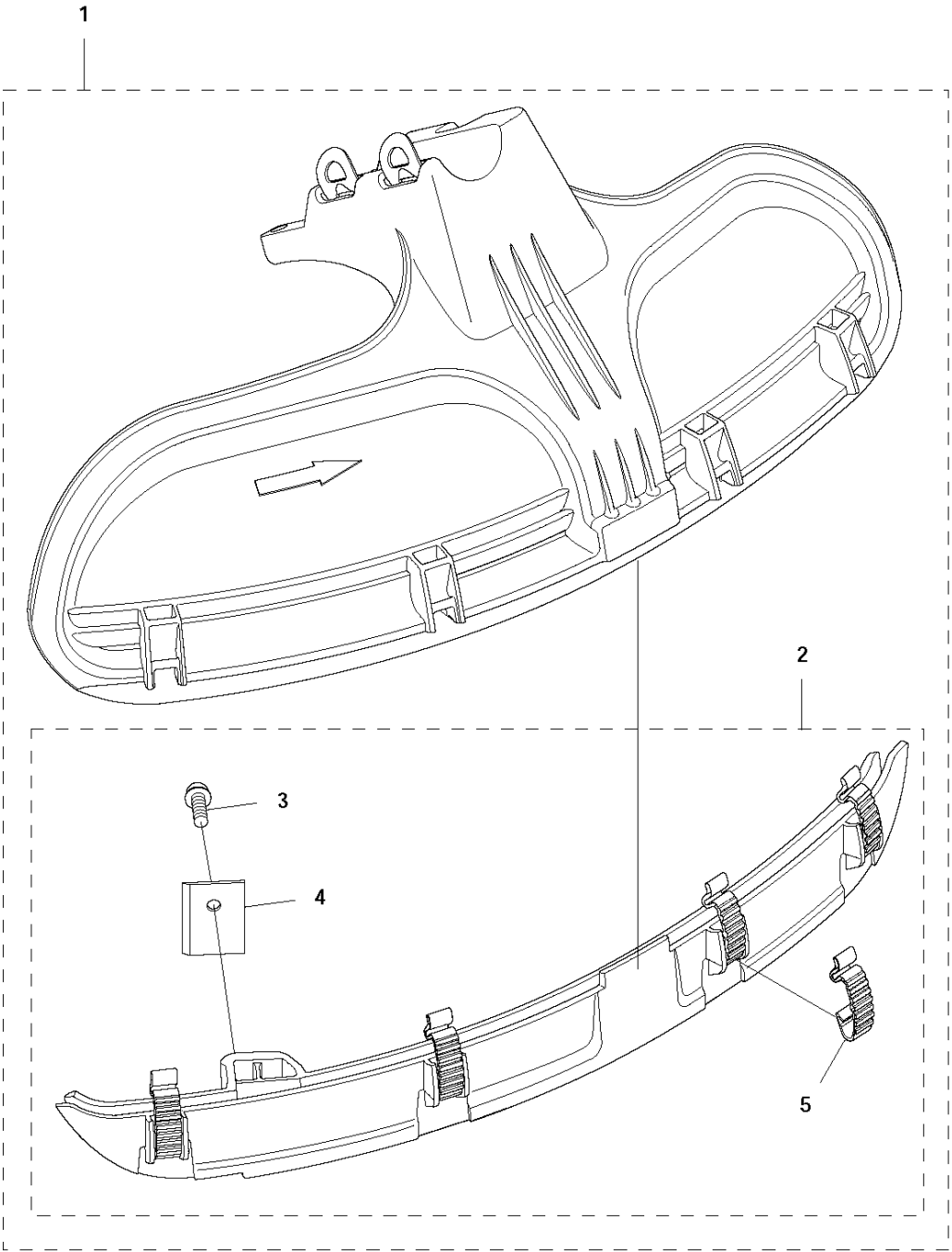


ACCESSORIES

545 RXT

Ref	Part No	Description	Remark	QTY	KIT
1	537 31 09-02	SAW BLADE GUARD		1	
2	574 55 54-01	CLAMP	Spare part with Captive Screw	1	1
3	573 99 43-04	SCREW IHSCFMO	Captive Screw	2	1, 2
4	504 00 33-01	ADAPTER		1	1
5	574 53 26-01	BLADE GUARD		1	

R3 545 RX, 545 RXT, 345 FR
ACCESSORIES



ACCESSORIES

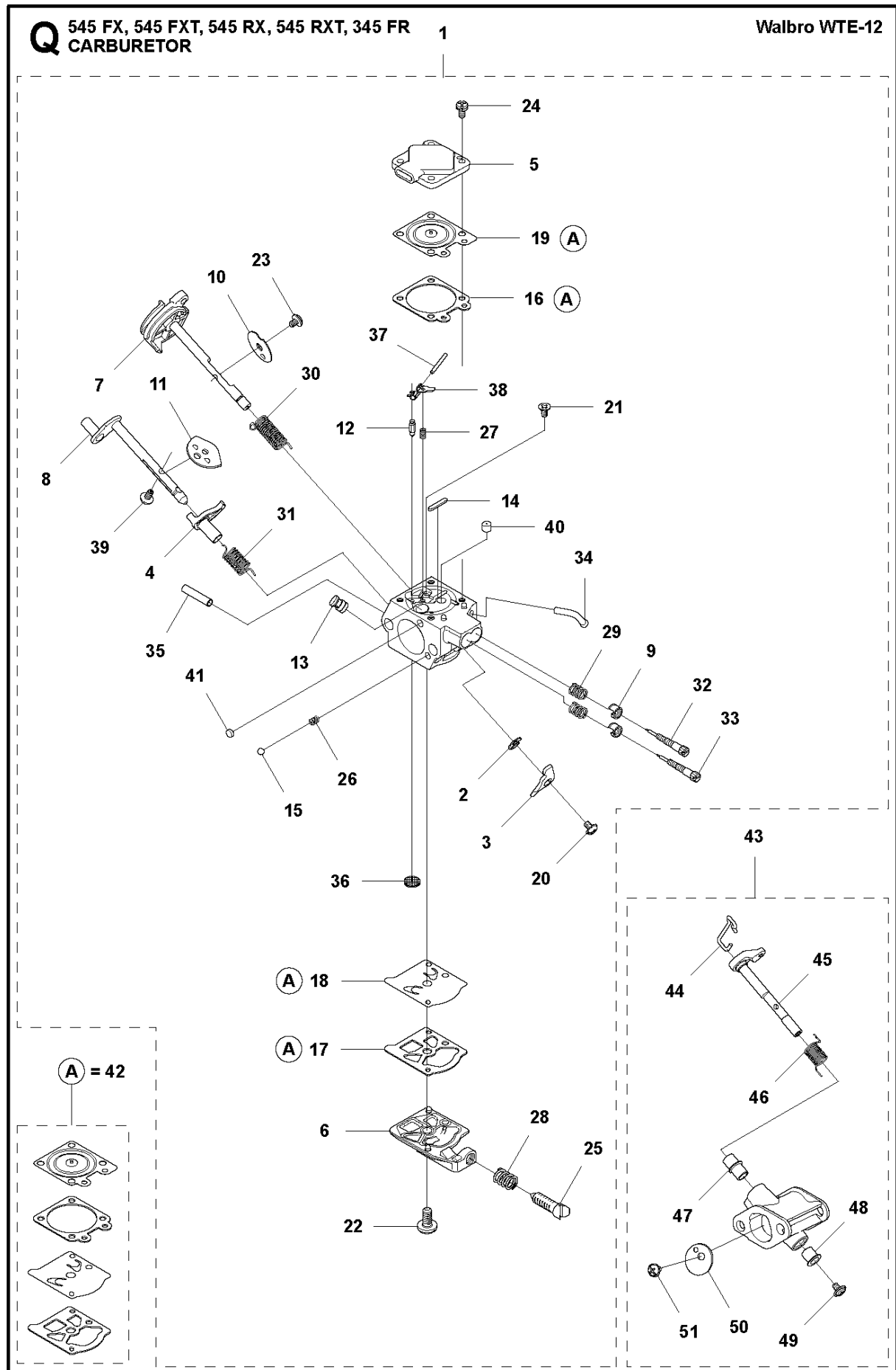
545 RXT

Ref	Part No	Description	Remark	QTY	KIT
1	544 46 43-01	COMBI GUARD		1	
2	537 39 63-01	SPLASH GUARD		1	1
3	503 21 07-16	SCREW IHST		1	1, 2
4	503 79 88-01	BLADE		1	1, 2
5	537 38 72-01	SNAP		1	1, 2

BEVEL GEAR

545 RXT

Ref	Part No	Description	Remark	QTY	KIT
1	502 23 52-01	GEAR ASSY		1	
2	738 21 01-10	BALL BEARING		1	1
3	503 25 08-01	BEARING		1	1
4	503 26 17-01	SEALING		1	1
5	503 75 89-01	COVER WASHER		1	1
6	735 31 33-10	CIRCLIP		1	1
7	738 21 87-12	BALL BEARING		2	1
8	735 31 17-00	CIRCLIP		1	1
9	735 31 31-10	CIRCLIP		1	1
10	503 20 15-01	SCREW IHHM		1	1
11	503 20 02-25	SCREW IHSCFM		2	1
12	537 29 07-01	SP PARTS KIT		1	1
13	502 23 51-01	GEAR HOUSING		1	1
14	537 35 14-02	DRIVER		1	
15	537 24 03-01	GRASS SEALING		1	14
16	537 34 35-02	SUPPORT FLANGE		1	
17	502 29 11-01	NUT BLADE		1	
18	503 95 45-01	ATTACHMENT PLATE		1	
19	537 18 95-01	SCREW		1	
20	732 21 16-01	NUT		1	

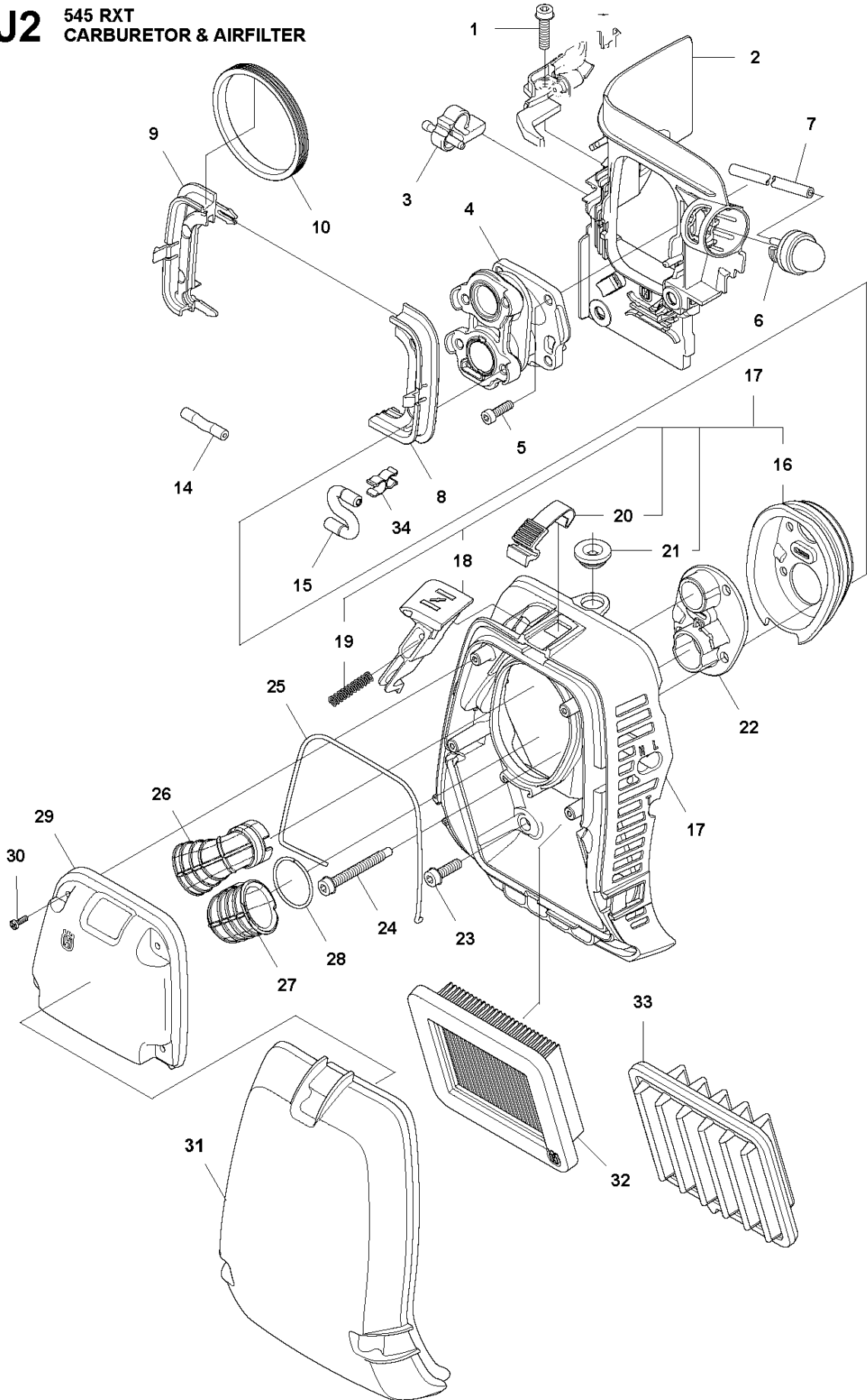


CARBURETOR

545 RXT

Ref	Part No	Description	Remark	QTY	KIT
1	580 80 39-01	CARBURETTOR		1	
2	503 79 95-01	RING		1	1
3	575 46 37-01	LEVER		1	1
4	544 17 77-01	LEVER		1	1
5	574 35 81-01	COVER		1	1
6	503 58 43-01	COVER		1	1
7	577 01 67-01	SHAFT ASSY		1	1
8	544 04 40-01	SHAFT		1	1
9	544 97 08-01	LIMITER CAP		2	1
10	503 93 51-01	VALVE		1	1
11	537 10 96-01	VALVE		1	1
12	503 56 34-01	INLET		1	1
13	502 84 68-01	NOZZLE ASSY		1	1
14	502 84 69-01	PLUG		1	1
15	501 46 85-01	BALL		1	1
16	504 35 09-06	GASKET		1	1, 42
17	504 13 09-06	GASKET		1	1, 42
18	577 01 66-01	DIAPHRAGM		1	1, 42
19	580 80 42-01	DIAPHRAGM		1	1, 42
20	501 46 87-01	SCREW		1	1
21	502 84 71-01	SCREW		1	1
22	501 46 69-01	SCREW		1	1
23	537 00 34-01	SCREW		1	1
24	537 00 31-01	SCREW		4	1
25	537 40 82-01	SCREW		1	1
26	501 46 84-01	SPRING		1	1
27	501 79 59-01	SPRING		1	1
28	501 66 78-01	SPRING		1	1
29	525 75 54-01	SPRING		2	1
30	544 17 76-01	SPRING		1	1
31	544 97 11-01	SPRING		1	1
32	502 84 72-01	NEEDLE		1	1
33	502 84 73-01	NEEDLE		1	1
34	577 01 68-01	FITTING		1	1
36	501 66 61-01	SCREEN		1	1
37	505 52 01-25	PIN-METERING LEVER		1	1
38	502 84 74-01	LEVER		1	1
39	544 11 15-01	SCREW		1	1
40	505 42 69-01	JET		1	1
41	503 57 43-01	PLUG-WELCH		1	1
42	515 99 96-01	KIT		1	
43	574 29 79-01	HOUSING		1	
44	522 54 33-01	LINK		1	43
45	574 32 39-01	SHAFT		1	43
46	544 97 18-01	SPRING		1	43
47	501 02 19-01	BUSHING		1	43
48	501 02 20-01	BUSHING		1	43
49	503 62 52-01	SCREW ASSY		1	43
50	522 54 35-01	VALVE		1	43
51	537 00 34-01	SCREW		1	43

J2 545 RXT
CARBURETOR & AIRFILTER



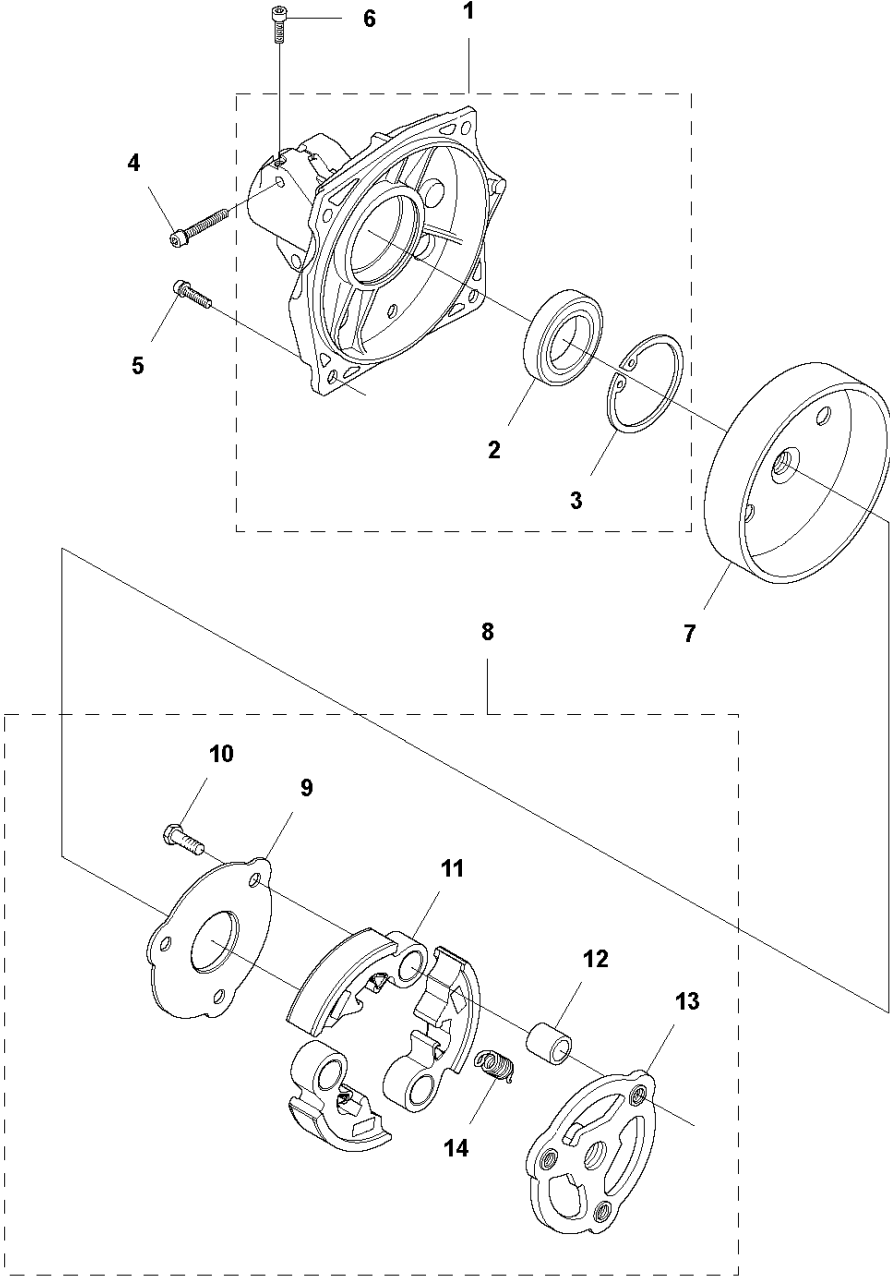
CARBURETOR & AIR FILTER

545 RXT

Ref	Part No	Description	Remark	QTY	KIT
1	503 20 07-76	SCREW IHSCFM		1	
2	525 28 92-01	INSULATION WALL		1	
3	575 23 95-01	GROMMET		1	
4	574 44 03-01	INLET PIPE		1	
5	503 20 25-16	SCREW IHSCM		4	
6	503 93 66-01	PRIMER HOUSING		1	
7	537 04 24-07	FUEL HOSE		1	
8	576 12 27-01	FRAME		1	
9	576 12 37-01	FRAME		1	
10	576 22 37-01	SEALING RING		1	
14	581 75 61-40	FUEL HOSE		1	
15	523 05 68-01	FUEL HOSE		1	
16	574 85 12-01	SEALING		1	17
17	523 04 48-01	FILTER HOLDER ASSY		1	
18	522 44 99-01	CHOKE CONTROL		1	17
19	524 85 30-01	SPRING		1	17
20	503 74 01-02	SNAP		3	17
21	537 01 65-01	SUPPORT		1	17
22	577 47 97-01	COVER PLATE		1	
23	503 20 07-74	SCREW IHSCFM		2	
24	537 31 60-01	SCREW IHSCFM		4	
25	503 26 32-04	O-RING		1	
26	586 94 69-01	INLET PIPE		1	
27	587 73 65-01	INLET PIPE ASSY		1	
28	576 47 59-01	LOCKING SPRING		1	
29	575 26 84-01	COVER LID		1	
30	503 21 29-10	SCREW CCRPANT		4	
31	510 18 97-01	FILTER COVER		1	
32	574 66 80-03	FILTER		1	
33	537 41 08-01	FILTER		1	
34	580 45 17-01	CLIP		1	

F 545 FX, 545 FXT, 545 RX, 545 RXT, 345 FR

CLUTCH

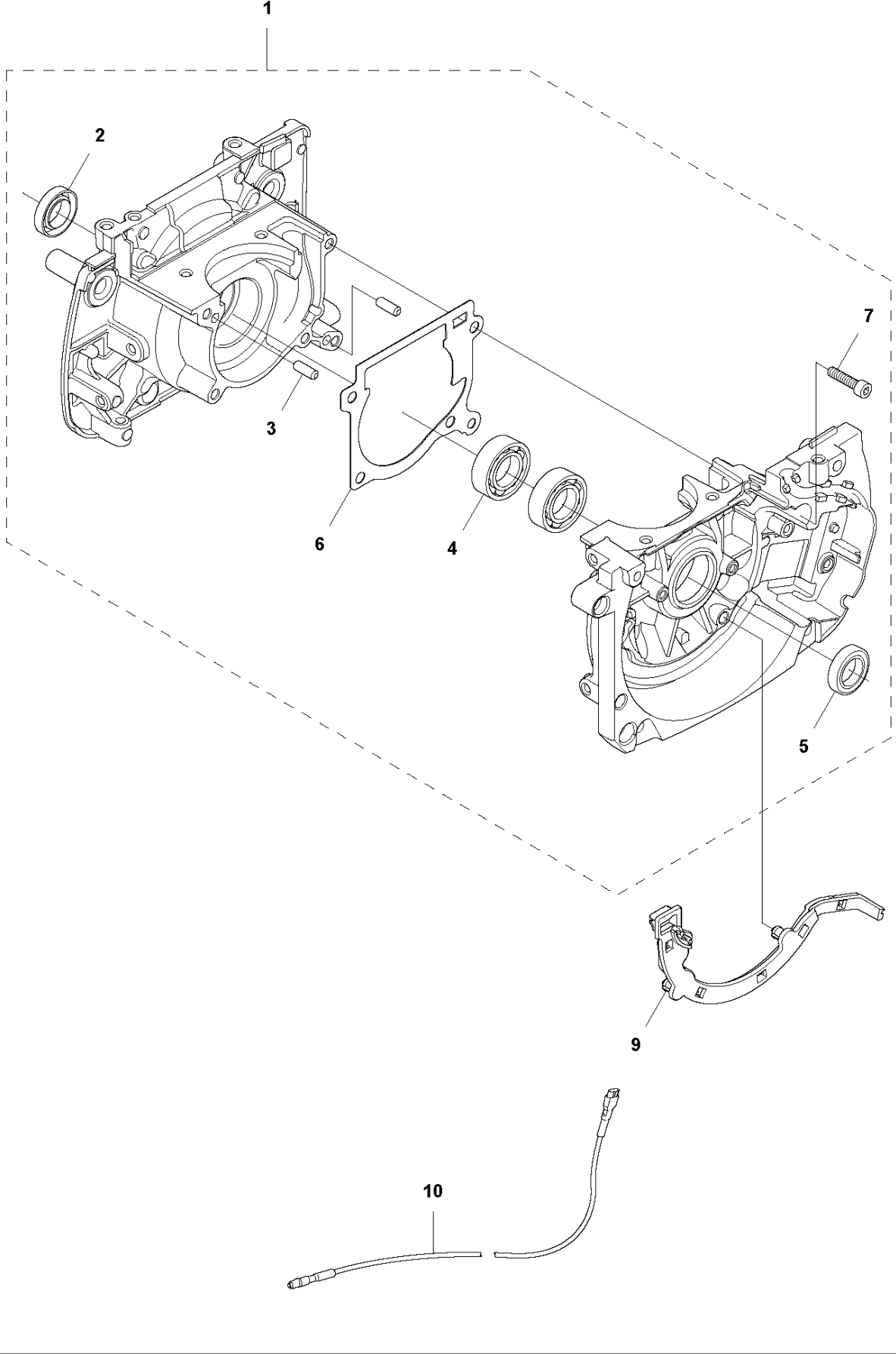


CLUTCH

545 RXT

Ref	Part No	Description	Remark	QTY	KIT
1	503 95 41-04	CLUTCH COVER		1	
2	738 22 02-19	BALL BEARING		1	1
3	735 31 33-10	CIRCLIP		1	1
4	503 20 02-30	SCREW IHSCFM		2	
5	503 20 02-20	SCREW IHSCFM		4	
6	503 20 20-01	SCREW IHSCM	QTY:1 bag containing 10 screws	1	
7	544 90 07-01	CLUTCH DRUM ASSY		1	
8	588 46 66-01	CLUTCH ASSY		1	
9	537 13 53-01	WASHER		1	8
10	503 20 18-02	SCREW EHHM		3	8
11	503 95 36-01	CLUTCH SHOE		3	8
12	537 13 54-01	BEARING BUSH		3	8
13	503 95 37-01	CLUTCH HUB		1	8
14	505 43 53-01	CLUTCH SPRING		3	8

P2 545 RX, 545 RXT, 345 FR
CRANKCASE



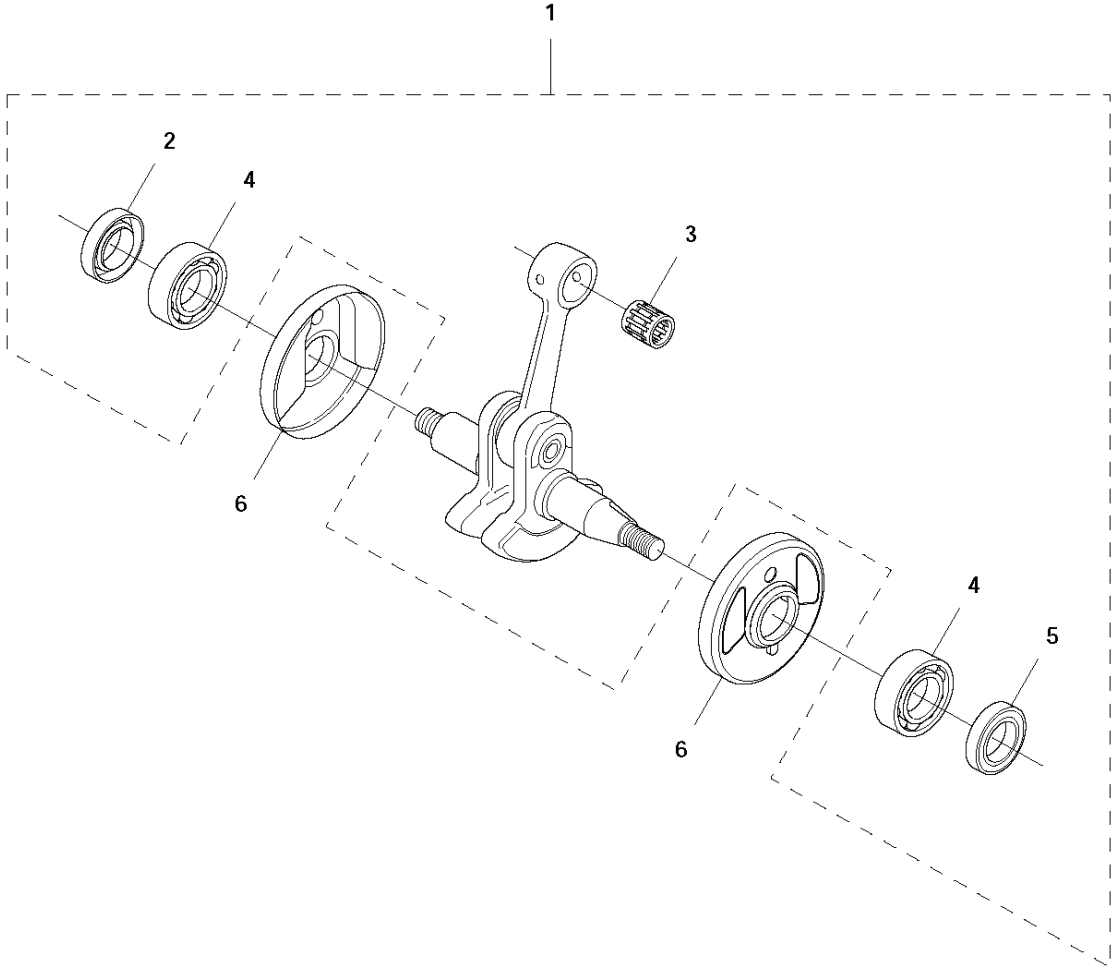
CRANKCASE

545 RXT

Ref	Part No	Description	Remark	QTY	KIT
1	585 47 02-01	CRANKCASE ASSY	s/n up to - 20151601100	1	
1	588 67 63-01	CRANKCASE ASSY	s/n from 20151601101 -	1	
2	577 32 49-01	RADIAL SEAL		1	1
3	501 27 08-01	GUIDE BUSHING	s/n from 20132700001 -	2	1
3	720 13 07-10	PARALLEL PIN	s/n up to - 20132699999	2	1
4	503 25 08-01	BEARING		2	1
5	505 27 57-19	SEALING RING		1	1
6	510 24 11-01	GASKET	s/n up to - 20132699999	1	1
6	584 46 96-01	GASKET	s/n 20132700001 - 20151601100	1	1
6	587 20 68-01	GASKET	s/n from 20151601101 -	1	1
7	725 53 35-55	SCREW IHSCM		5	1
9	510 17 99-01	CABLE HOLDER		1	
10	525 85 84-01	SHORT CIRCUIT CABLE		1	

N 545 FX, 545 FXT, 545 RX, 545 RXT, 345 FR

CRANK SHAFT

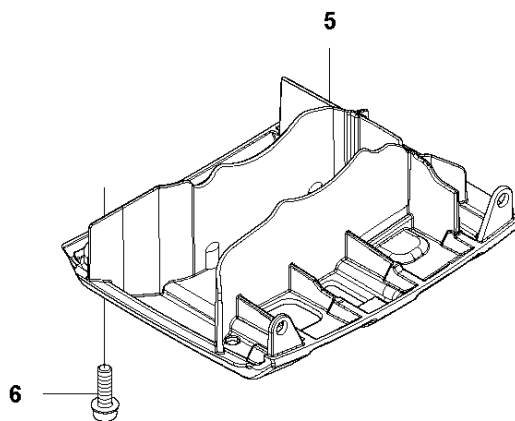
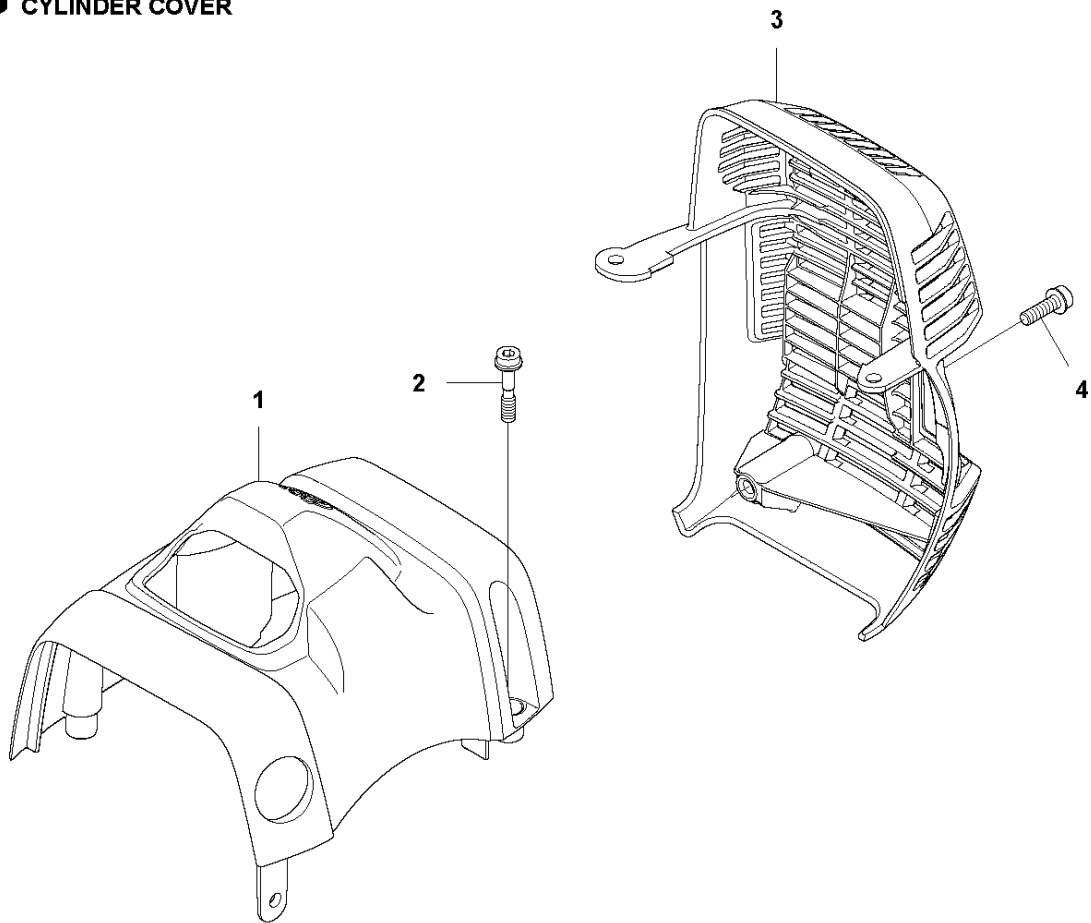


CRANKSHAFT

545 RXT

Ref	Part No	Description	Remark	QTY	KIT
1	577 27 48-01	CRANKSHAFT KIT		1	
2	577 32 49-01	RADIAL SEAL		1	1
3	503 25 63-01	NEEDLE BEARING		1	1
4	503 25 08-01	BEARING		2	1
5	505 27 57-19	SEALING RING		1	1
6	537 15 85-01	CUP		2	

G 545 FX, 545 FXT, 545 RX, 545 RXT, 345 FR
CYLINDER COVER



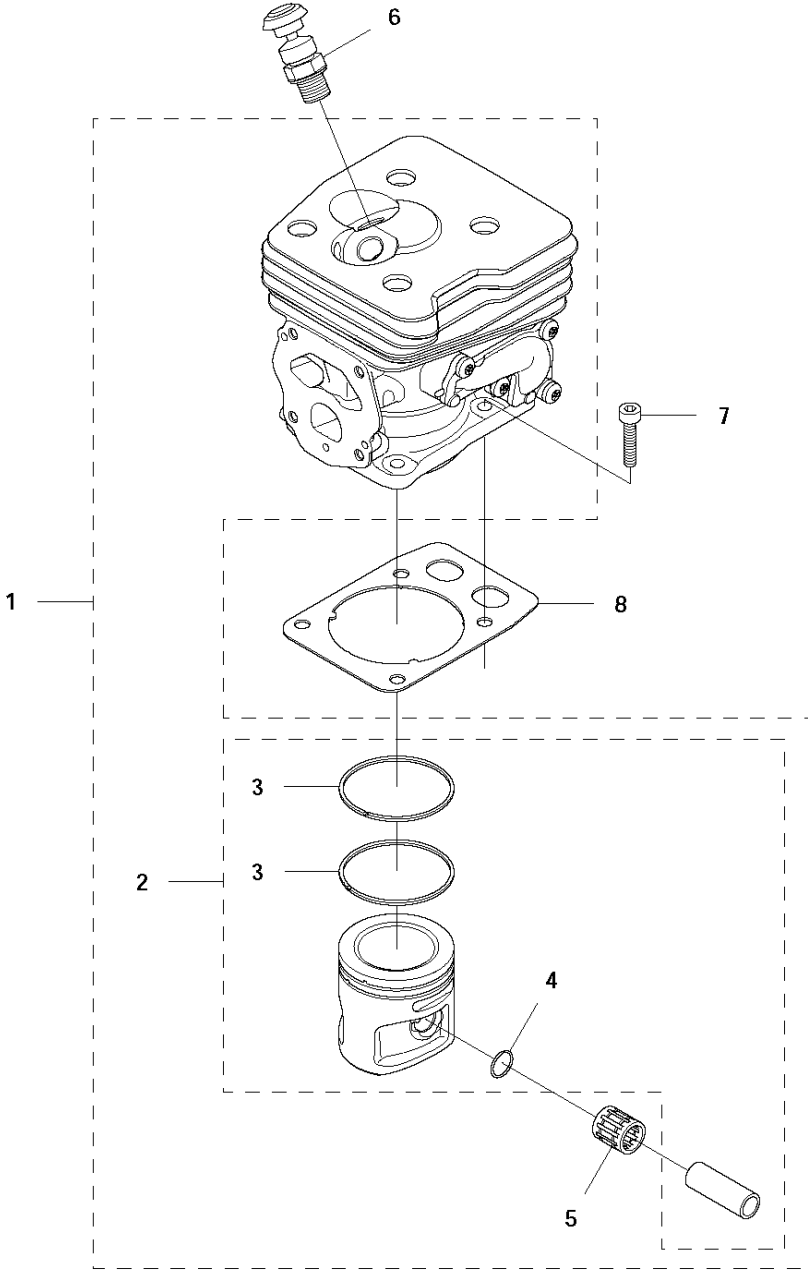
- 7 — **545 FX**
- 8 — **545 FXT**
- 9 — **545 RXT**
- 10 — **545 RX**
- 11 — **345 FR**

CYLINDER COVER

545 RXT

Ref	Part No	Description	Remark	QTY KIT
1	510 04 75-01	CYLINDER COVER		1
2	574 47 70-04	SCREW IHSCFMO	Captive Screw	3
3	576 92 00-05	HEAT PROTECTOR		1
4	503 20 07-74	SCREW IHSCFM		1
5	510 42 22-01	PROTECTIVE COVER		1
6	503 20 07-74	SCREW IHSCFM		2
7	576 99 86-01	LABEL	FX	1
8	576 99 86-02	LABEL	FXT	1
9	576 99 86-03	LABEL	RXT	1
10	576 99 86-04	LABEL	RX	1
11	576 99 86-05	LABEL	FR	1

M 545 FX, 545 FXT, 545 RX, 545 RXT, 345 FR
CYLINDER & PISTON

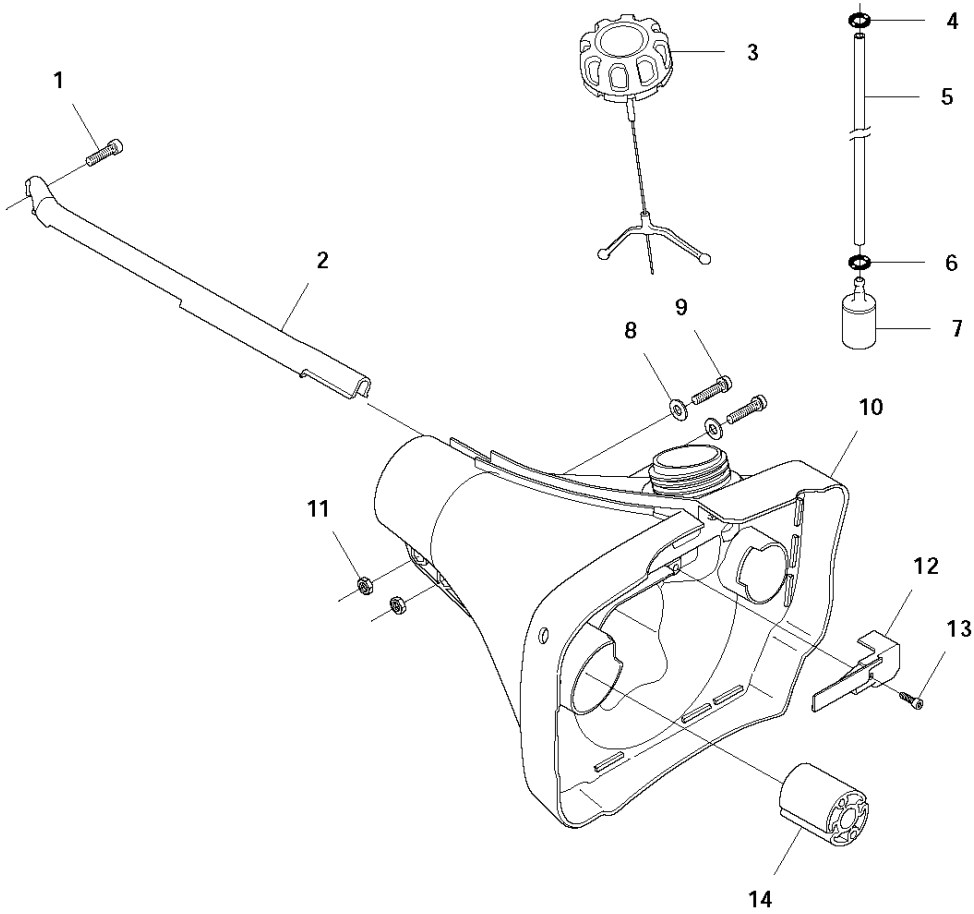


CYLINDER PISTON

545 RXT

Ref	Part No	Description	Remark	QTY	KIT
1	577 27 49-01	CYLINDER KIT		1	
2	576 28 27-02	PISTON ASSY		1	1
3	576 28 30-01	PISTON RING		2	1, 2
4	737 44 10-00	SNAP RING		2	1, 2
5	503 25 63-01	NEEDLE BEARING		1	1
6	544 20 00-01	DECOMPRESSION VALVE		1	
7	725 53 33-55	SCREW IHSCM		4	
8	587 15 34-01	GASKET		1	

E 545FX, 545 FXT, 545 RX, 545 RXT, 345 FR
FUEL TANK

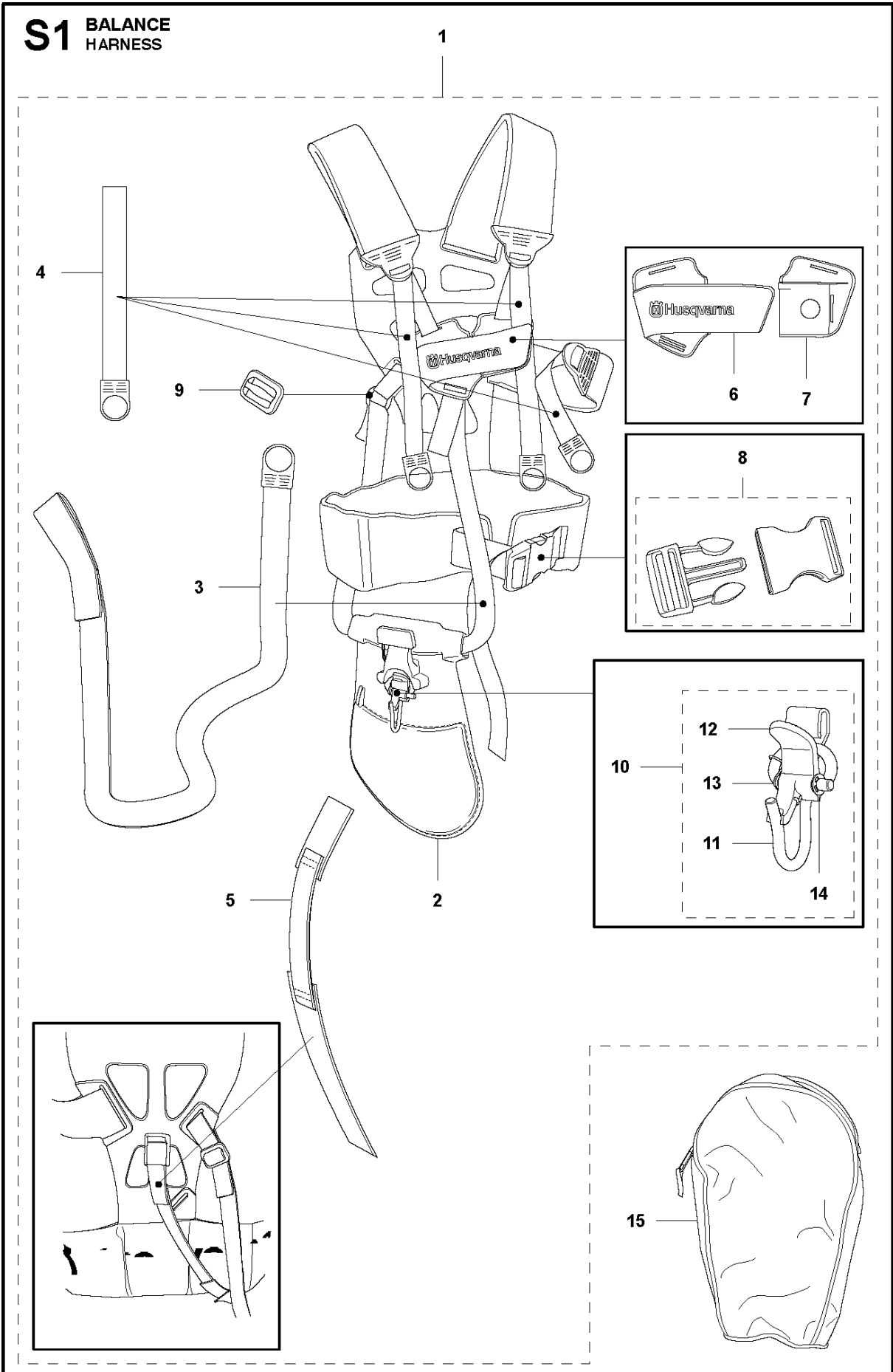


FUEL TANK

545 RXT

Ref	Part No	Description	Remark	QTY KIT
1	503 20 02-16	SCREW IHSCFM		1
2	537 17 25-01	COVER	RXT	1
3	504 11 32-01	TANK CAP		1
4	537 18 49-01	O-RING		1
5	581 75 61-16	FUEL HOSE		1
6	537 18 49-01	O-RING		1
7	503 44 32-01	FILTER	One bag containing 10 pcs	1
8	503 23 00-11	WASHER	One bag containing 10 pcs	2
9	503 20 03-16	SCREW IHSCFM		2
10	503 94 93-01	FUEL TANK		1
11	503 22 10-12	HEXAGON NUT		2
12	537 21 99-01	HOSE GUARD		1
13	503 21 71-16	SCREW IHST	One bag containing 10 pcs	1
14	510 20 87-01	ANTIVIBRATION ELEMENT		2

S1 BALANCE HARNESS

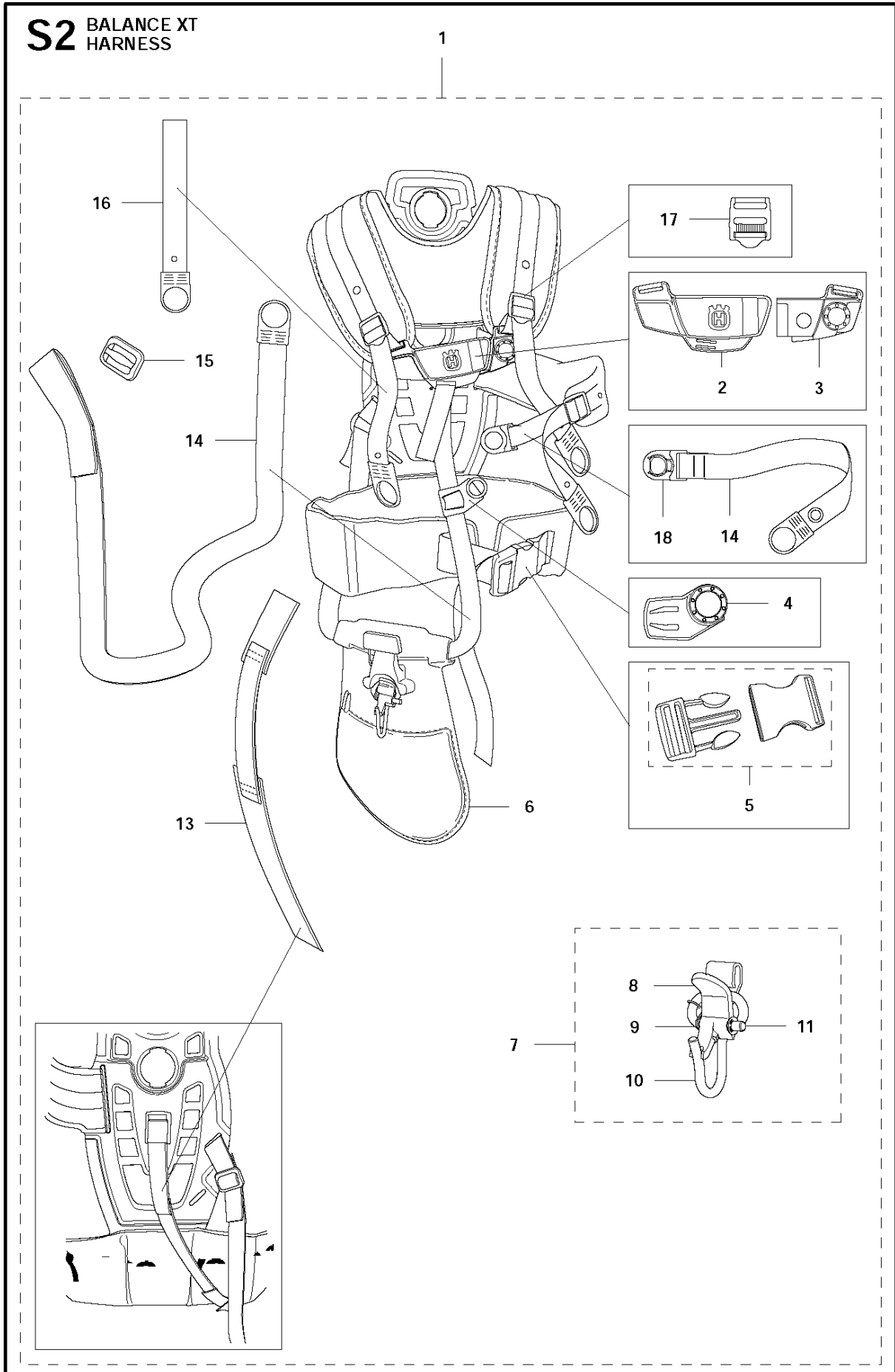


HARNESS

545 RXT

Ref	Part No	Description	Remark	QTY	KIT
1	578 44 97-01	HARNESS		1	
1	505 40 62-01	HARNESS	US	1	1
2	544 90 17-01	HARNESS		1	1
3	503 99 61-03	BAND		1	1
4	503 99 61-01	HARNESS		3	1
5	537 15 35-01	HARNESS		1	1
6	537 28 84-01	FRONT PIECE		1	1
7	537 28 83-01	FRONT PIECE		1	1
8	537 33 15-01	HARNESS		1	1
9	537 28 70-01	HARNESS		1	1
10	544 96 07-02	HARNESS		1	1
11	502 02 29-02	HARNESS		1	1, 10
12	502 02 30-02	HARNESS		1	1, 10
13	586 34 10-01	SPRING		1	1, 10
14	735 31 09-20	HARNESS		1	1, 10
15	537 30 66-01	BAG	Triobalance Tool bag	1	

S2 BALANCE XT HARNES

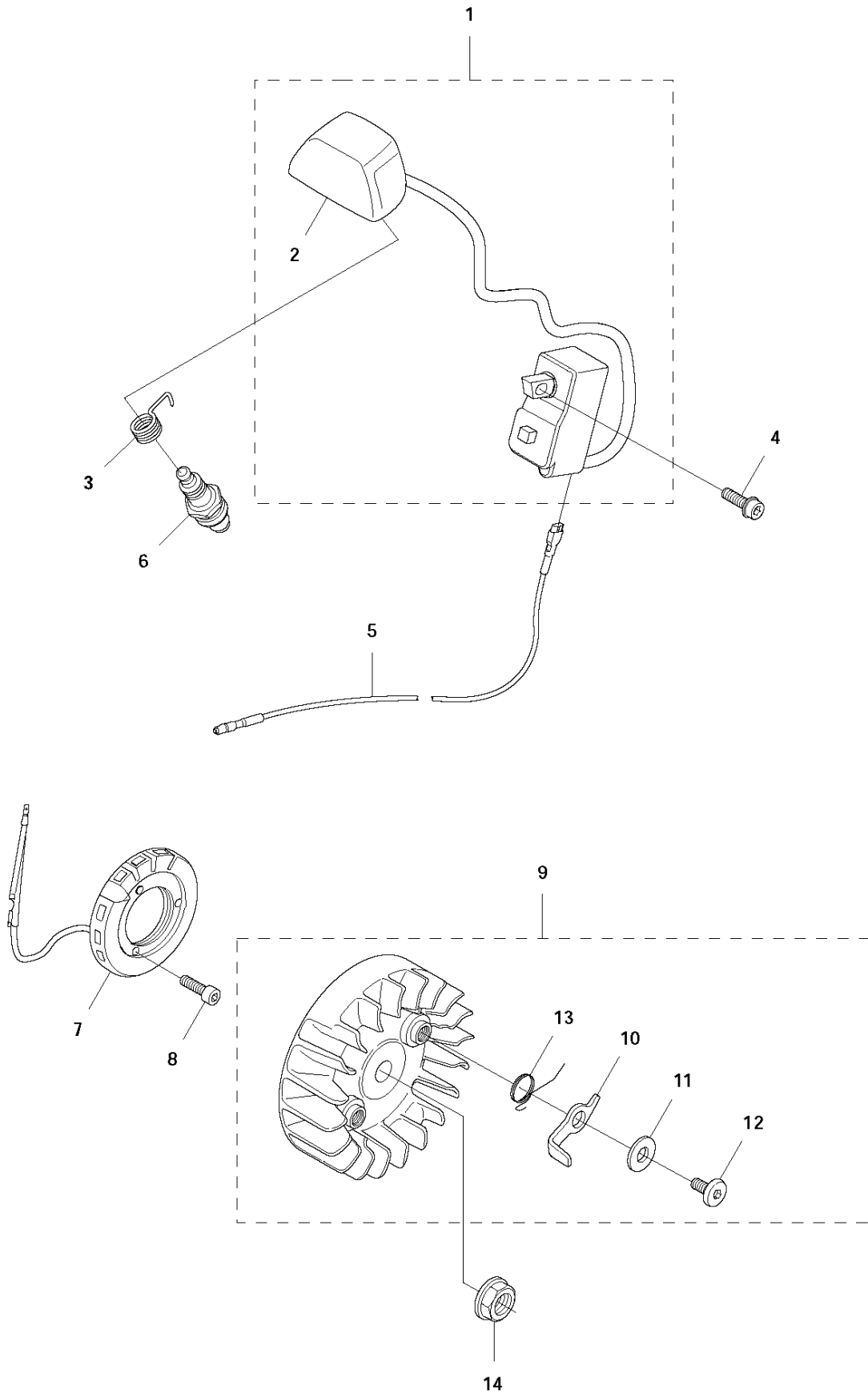


HARNESS

545 RXT

Ref	Part No	Description	Remark	QTY	KIT
1	578 44 98-01	HARNESS		1	
2	504 54 52-01	HARNESS	US	1	1
3	504 54 51-01	HARNESS		3	1
4	504 63 75-01	HARNESS		1	1
5	537 33 15-01	HARNESS		1	1
6	544 90 17-01	HARNESS		1	1
7	544 96 07-02	HARNESS		1	1
8	502 02 30-02	HARNESS		1	1, 7
9	586 34 10-01	SPRING		1	1, 7
10	502 02 29-02	HARNESS		1	1, 7
11	735 31 09-20	HARNESS		1	1, 7
13	537 15 35-01	HARNESS		1	1
14	503 99 61-04	HARNESS		1	1
15	537 28 70-01	HARNESS		1	1
16	503 99 61-07	HARNESS		1	
17	505 44 46-01	HARNESS		1	
18	504 63 74-01	HARNESS		1	

L 545 FX, 545 FXT, 545 RX, 545 RXT, 345 FR
IGNITION SYSTEM

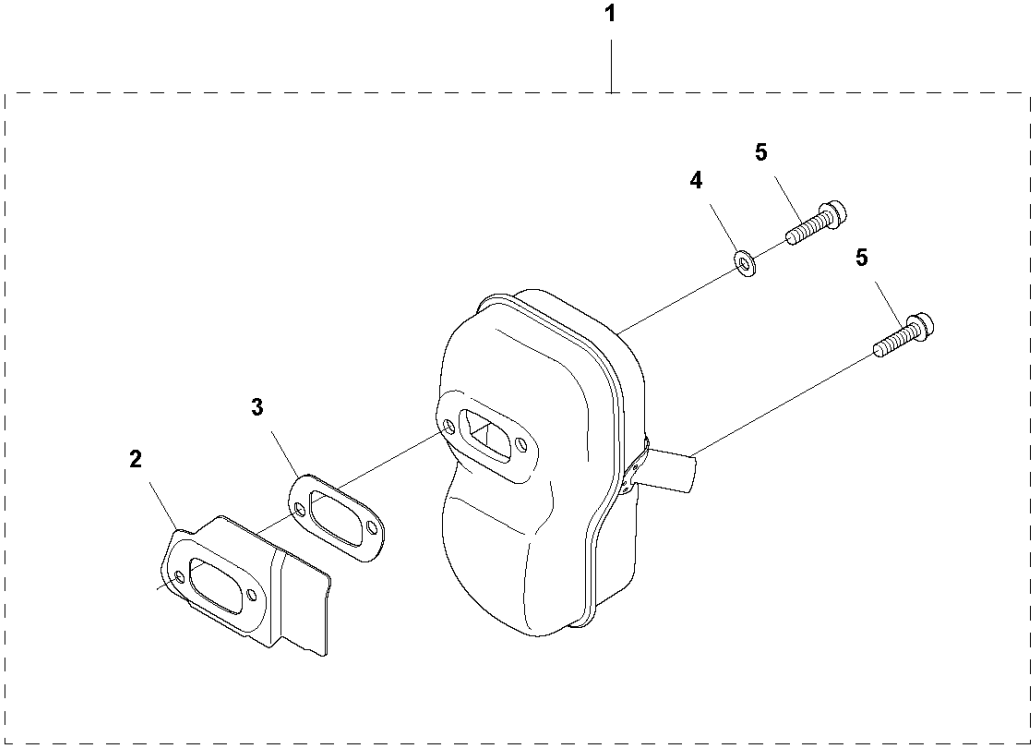


IGNITION SYSTEM

545 RXT

Ref	Part No	Description	Remark	QTY	KIT
1	585 07 39-04	IGNITION SYSTEM	FR, RX, RXT	1	
2	576 88 95-01	SPARK PLUG CAP		1	1
3	537 32 38-01	CONTACT SPRING		1	
4	503 20 07-74	SCREW IHSCFM		2	
5	525 85 84-01	SHORT CIRCUIT CABLE		1	
6	574 51 96-01	SPARK PLUG	NGK CMR6H	1	
7	537 25 63-01	GENERATOR STATOR		1	
8	503 21 66-18	SCREW IHST		2	
9	503 95 33-01	FLYWHEEL		1	
10	503 81 24-01	STARTER PAWL		2	9
11	503 23 00-42	WASHER		2	9
12	501 81 99-03	SCREW		2	9
13	503 81 29-01	SPRING		2	9
14	503 22 04-01	NUT		1	

H4 545 RXT
MUFFLER, PIPE

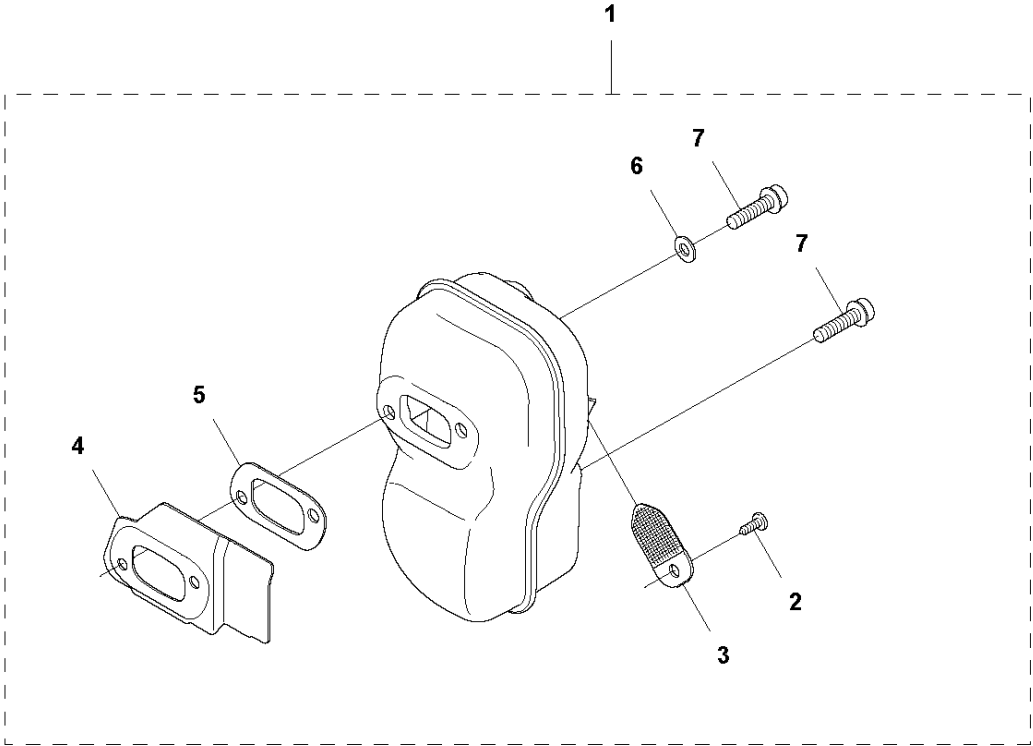


MUFFLER

545 RXT

Ref	Part No	Description	Remark	QTY KIT
1	574 38 11-01	MUFFLER KIT		1
2	522 93 87-01	HEAT DEFLECTOR		1
3	522 95 44-01	GASKET		1
4	503 23 04-02	WASHER		1
5	503 20 07-76	SCREW IHSCFM		3

H3 545 RXT
MUFFLER, FF

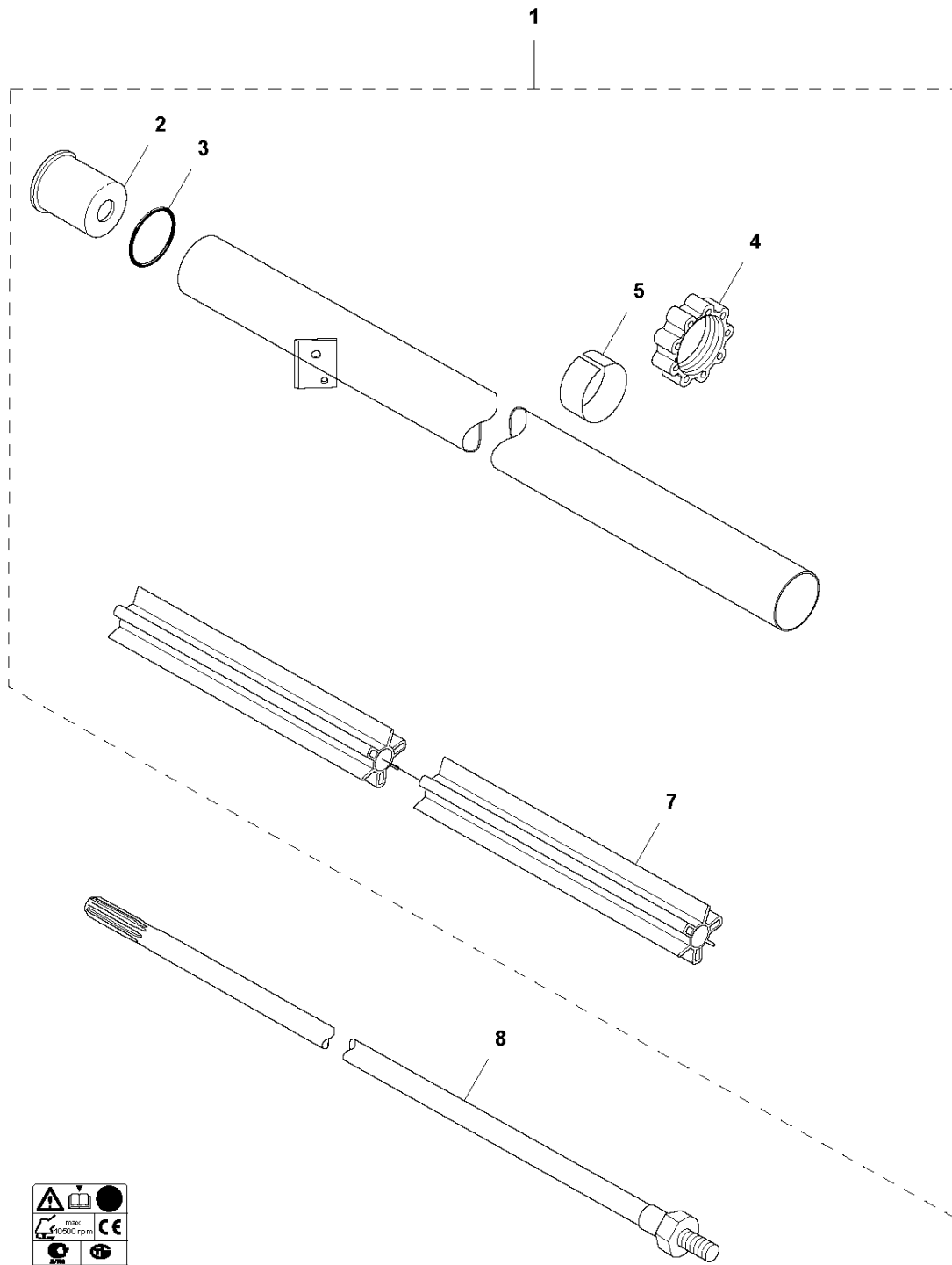


MUFFLER

545 RXT

Ref	Part No	Description	Remark	QTY	KIT
1	574 38 11-02	MUFFLER KIT	CAT	1	
2	724 12 87-59	SCREW CRPANM		1	1
3	522 60 95-01	SPARK ARRESTER SCREEN		1	1
4	522 93 87-01	HEAT DEFLECTOR		1	1
5	522 95 44-01	GASKET		1	1
6	503 23 04-02	WASHER		1	1
7	503 20 07-76	SCREW IHSCFM		3	1

B 545 FX, 545 FXT, 545 RX, 545 RXT, 345FR
SHAFT



9

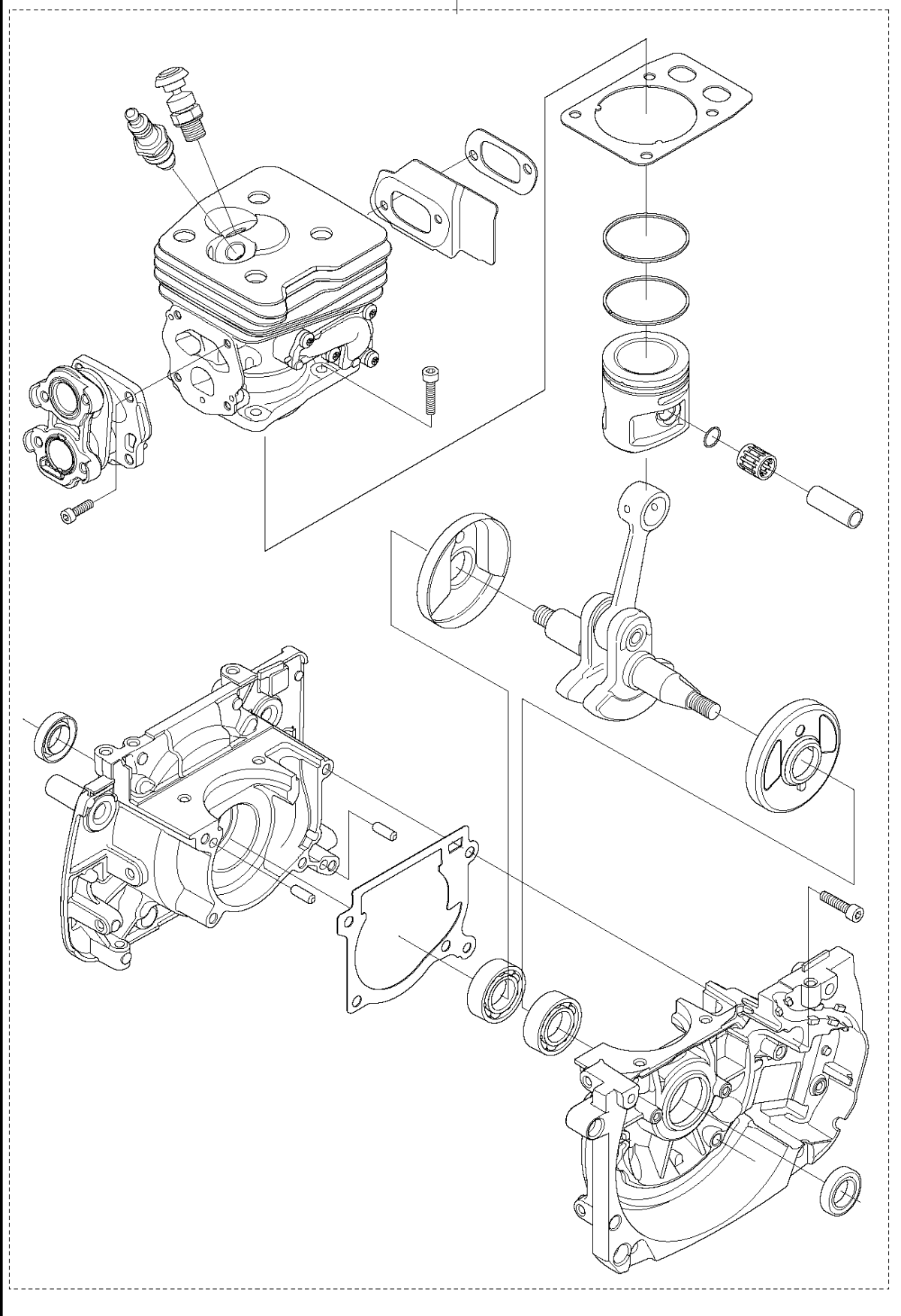
SHAFT

545 RXT

Ref	Part No	Description	Remark	QTY	KIT
1	586 26 26-02	TUBE ASSY	RXT, RX	1	
2	544 02 94-01	SPACER		1	1
3	506 11 03-01	O-RING		1	1
4	537 30 98-01	ANTIVIBRATION ELEMENT		1	1
5	537 30 97-02	TAPE		1	1
7	523 01 88-01	BEARING SHAFT		1	1
8	503 95 54-02	DRIVE SHAFT	RXT	1	
9	589 29 51-01	LABEL		1	

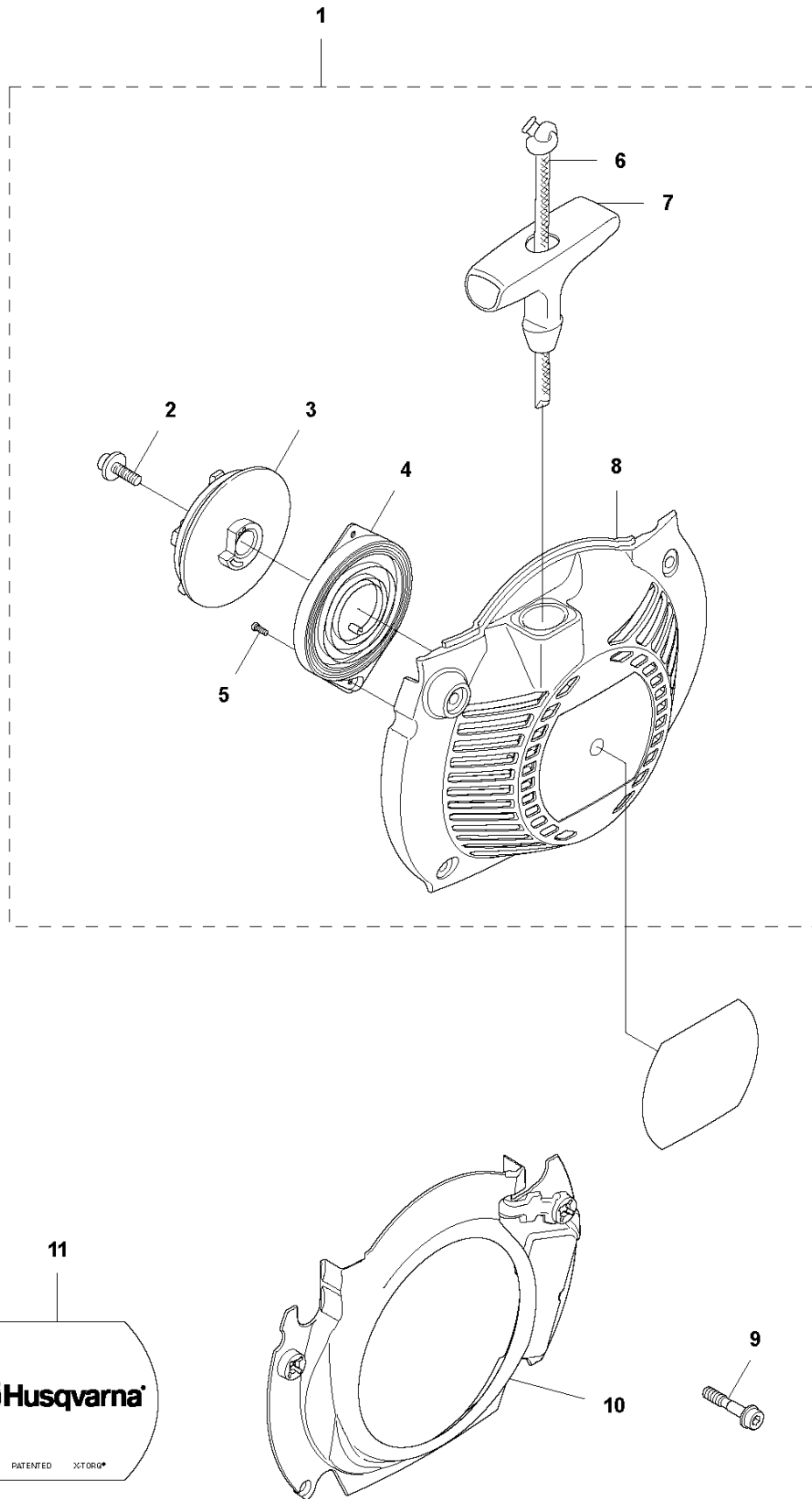
T 545 FX, 545 FXT, 545 RX, 545 RXT, 345FR
SHORT BLOCK

1



Ref	Part No	Description	Remark	QTY KIT
1	585 45 15-01	CRANKCASE SYSTEM		1

K 545 FX, 545 FXT, 545 RX, 545 RXT, 345 FR
STARTER

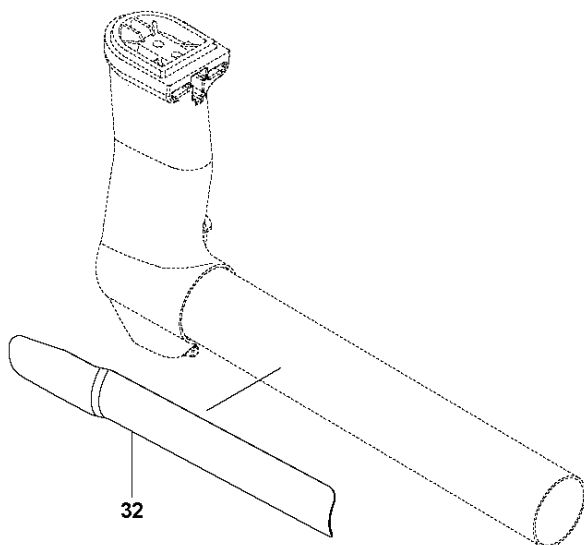
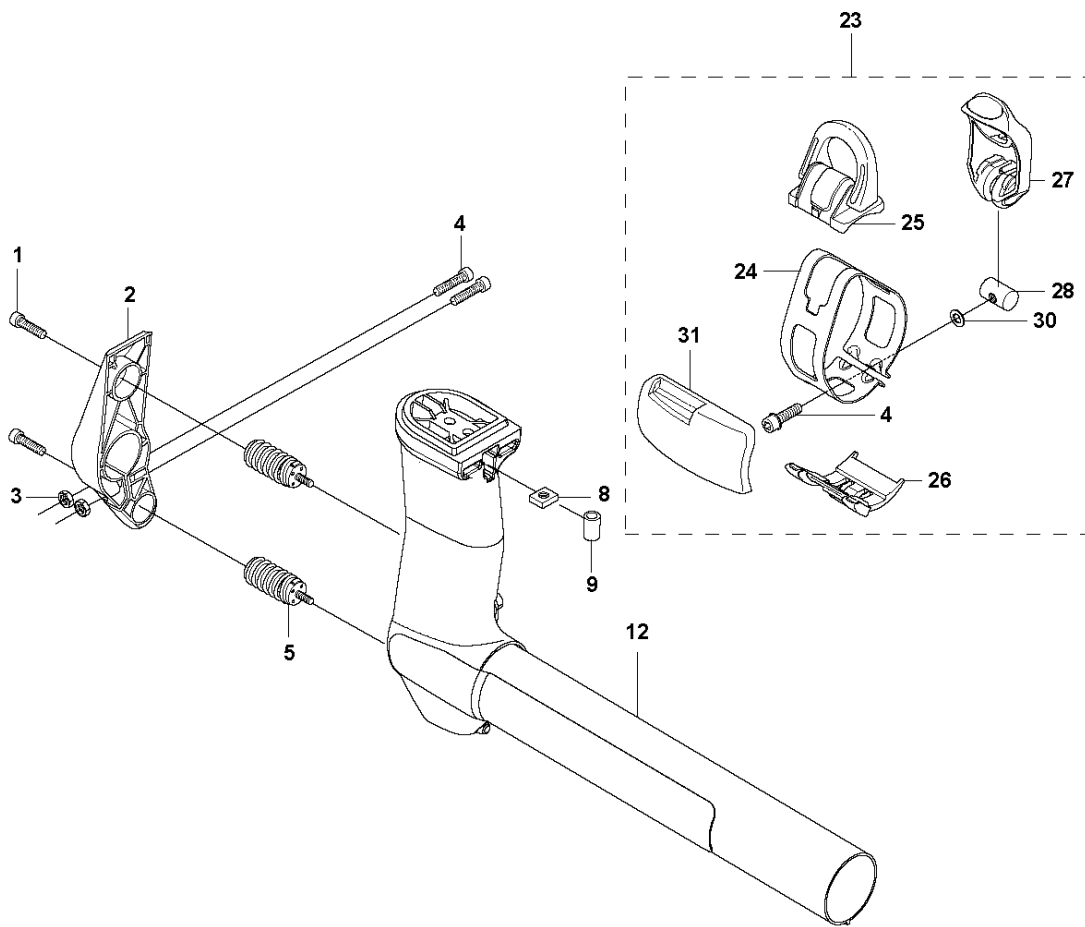


STARTER

545 RXT

Ref	Part No	Description	Remark	QTY	KIT
1	573 96 08-01	STARTER		1	
2	503 21 69-16	SCREW IHSC T		1	1
3	503 95 73-01	STARTER PULLEY		1	1
4	502 20 06-01	SPRING CASSETTE ASSY		1	1
5	503 21 29-10	SCREW CCRPANT		2	1
6	505 30 51-25	STARTER CORD		1	1
7	537 23 25-01	STARTER HANDLE		1	1
8	523 34 30-01	STARTER HOUSING		1	1
9	574 47 70-04	SCREW IHSCFMO	Captive Screw	4	
10	510 20 50-01	AIR CONDUCTOR		1	
11	576 46 81-01	LABEL		1	

C2 545 RX, 545 RXT
SUSPENSION

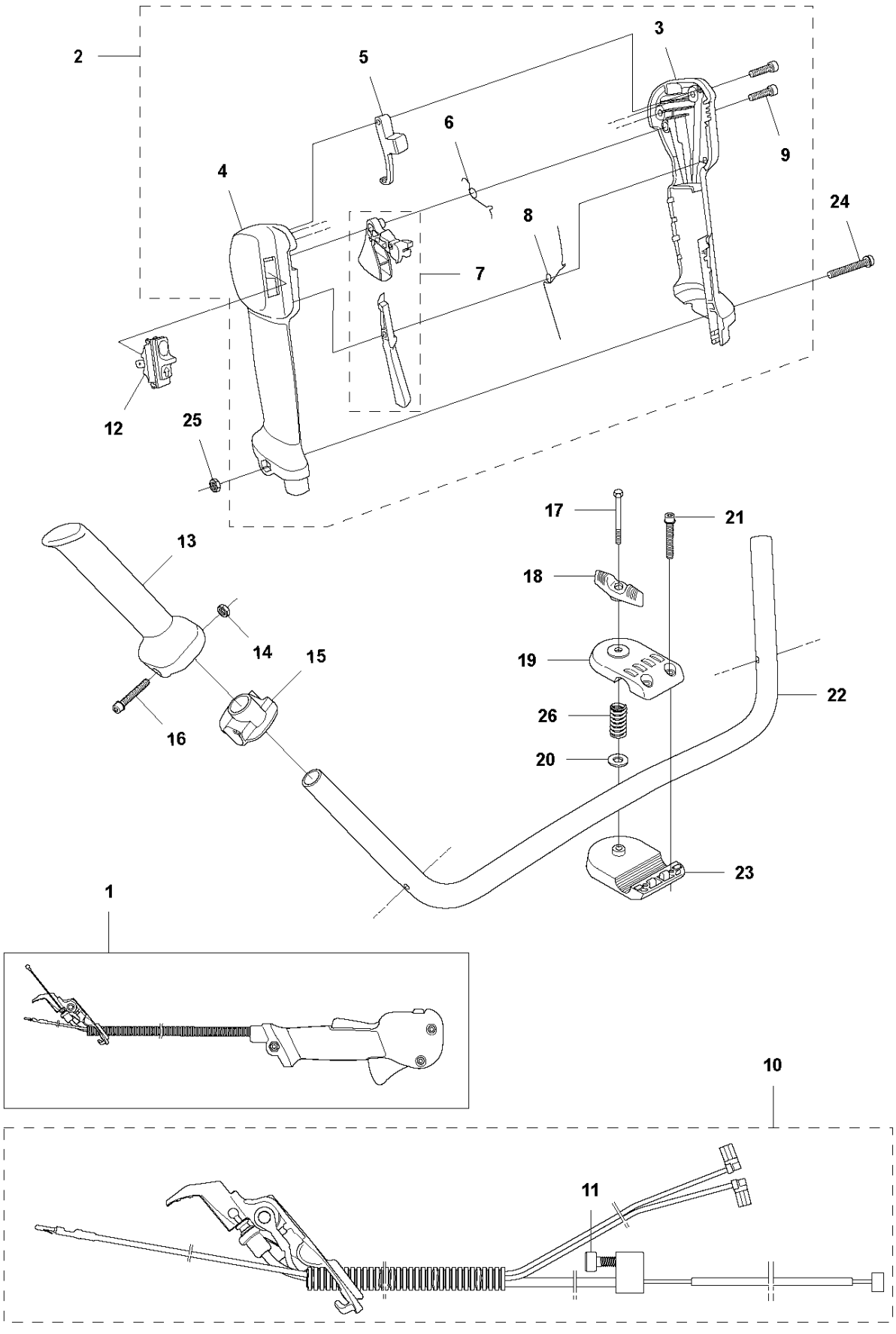


SUSPENSION

545 RXT

Ref	Part No	Description	Remark	QTY	KIT
1	503 20 03-16	SCREW IHSCFM		2	
2	503 95 53-06	HOLDER ANTIVIBRATION		1	
3	503 22 10-12	HEXAGON NUT		2	
4	503 20 02-25	SCREW IHSCFM		2	
5	537 29 97-01	ANTIVIBRATION ELEMENT		2	
8	502 19 71-01	SQUARE NUT		1	
9	503 85 73-02	COVER		1	
12	581 97 90-03	SUSPENSION	RX, RXT, Magnesium	1	
23	577 37 57-01	LOOP		1	
24	537 19 79-01	BAND		1	23
25	537 20 18-03	LOOP		1	23
26	577 29 93-01	GUIDE RAIL		1	23
27	577 20 83-01	LEVER		1	23
28	537 42 73-01	NUT		1	23
30	503 23 00-11	WASHER	One bag containing 10 pcs	1	23
31	544 25 07-01	WEAR PROTECTION		1	
32	501 01 55-01	WEAR PLATE	RX, RXT, FR	1	

D1 545 RX, 545 RXT, 345 FR
THROTTLE CONTROLS



THROTTLE CONTROLS

545 RXT

Ref	Part No	Description	Remark	QTY	KIT
1	577 07 19-01	THROTTLE HANDLE ASSY	RX	1	
2	504 20 98-04	THROTTLE HANDLE ASSY		1	1
3	537 18 08-11	HANDLE HALF		1	1, 2
4	537 18 07-11	HANDLE HALF		1	1, 2
5	537 16 07-03	STARTER THROTTLE LOC		1	1, 2
6	537 17 42-01	SPRING THROTTLE TRIG		1	1, 2
7	506 49 77-01	THROTTLE CONTROL		1	1, 2
8	537 17 43-01	SPRING		1	1, 2
9	503 21 66-18	SCREW IHSC T		2	1, 2
10	525 41 98-01	WIRING ASSY		1	1
11	503 21 66-18	SCREW IHSC T		1	1, 10
12	537 41 90-01	SWITCH		1	
13	537 17 28-03	HANDLE		1	
14	731 23 14-05	HEXAGON NUT		1	
15	537 17 29-02	BRACKET		1	
16	503 20 02-45	SCREW IHSCFM		1	
17	725 23 83-81	SCREW EHHM		1	
18	502 20 38-01	KNOB		1	
19	537 12 90-01	HANDLEBAR BRACKET		1	
20	502 28 21-01	WASHER		1	
21	503 20 02-25	SCREW IHSCFM		2	
22	505 43 33-03	HANDLEBAR		1	
23	537 12 91-01	HANDLEBAR BRACKET		1	
24	503 20 07-82	SCREW IHSCFM		1	
25	503 22 10-13	HEXAGON NUT		1	
26	537 04 83-01	CLUTCH SPRING		1	

Illustrated Parts List - IPL Update



Product Name(s)

545RXT

Description of change

1. Increased thread length on crankcase screw (30 mm), to improve durability.
2. Crankcase gasket was changed to reduce the number of spare part articles.
3. Increased spring force for slightly higher engagement speed.

Comments

1. Backward compatible from s/n 201645000000.
2. Backward compatible from s/n 20151601101.
3. Fully backward compatible.

Introduced from

Serial number / Date	Remark
s/n 201645000000	Screw
s/n 20151601101	Gasket
2017-02	Clutch assy

IPL updates

Page title	Ref. no	New part no	Name	Excl. part no.	Remark
Crankcase	7	725 53 35-55	Screw IHSCM	725 53 33-55	
Crankcase	6	588 57 41-01	Gasket	587 20 68-01	
Clutch	8	588 46 66-01	Clutch assy	503 95 35-01	