



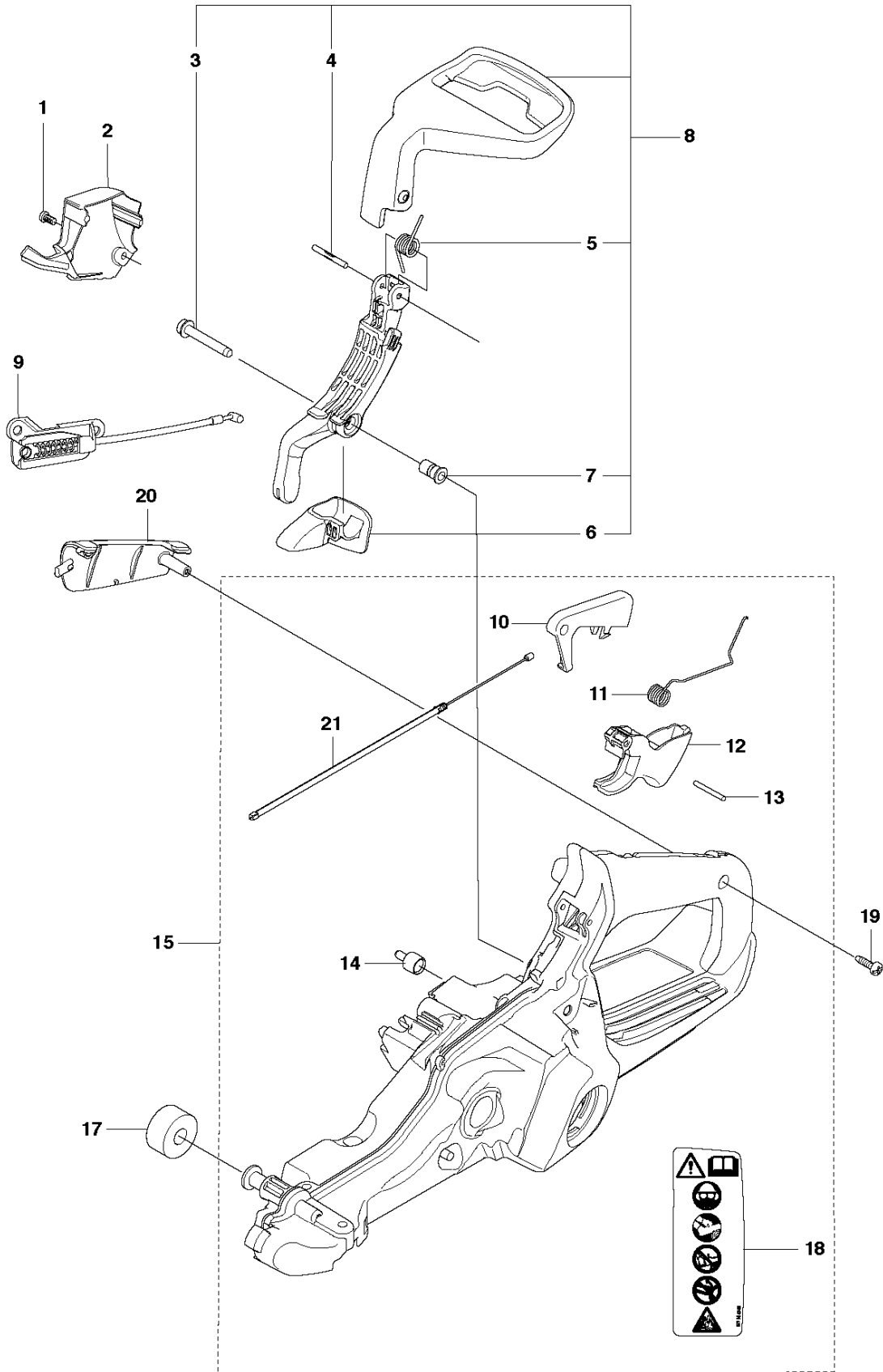
SPARE PARTS LIST

CHAIN SAWS

550 XP TRIOBRAKE, 2011-11

B

TrioBrake



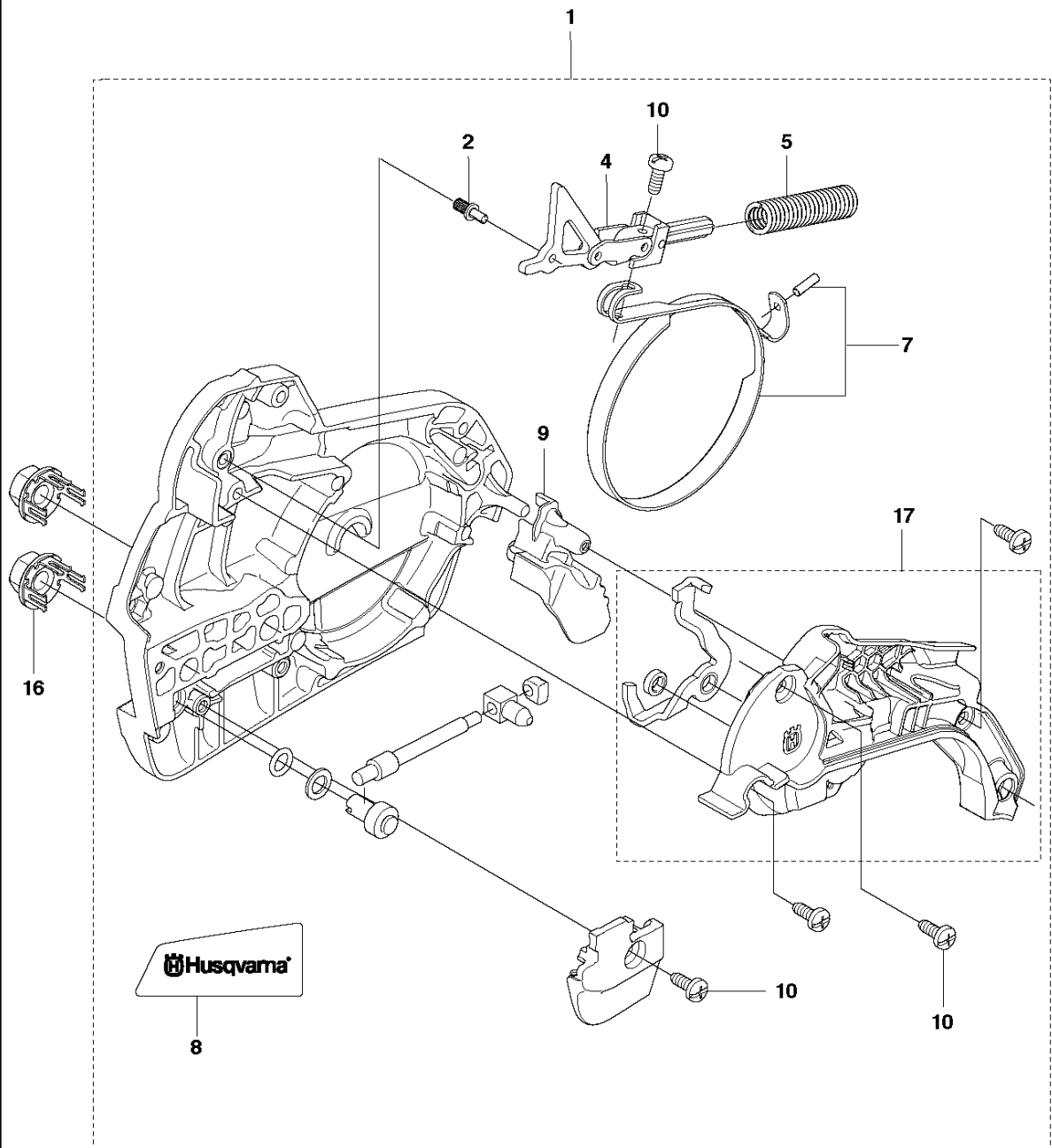
PRODUCT COMPLETE

550 XP TRIOBRAKE, 2011-11

Ref	Part No	Description	Remark	QTY	KIT
1	503 21 70-72	SCREW CCRPANT		1	
2	576 70 80-01	COVER LID		1	
3	503 21 07-45	SCREW IHSCT		1	8
4	721 12 13-30	GROOVED PIN		1	8
5	537 05 92-01	TORSION SPRING		1	8
6	576 70 81-01	BELLOWS		1	8
7	540 05 80-01	SLEEVE		1	8
8	578 00 33-01	HAND GUARD ASSY		1	
9	576 70 82-01	WIRE ASSY		1	
10	544 09 98-01	THROTTLE LOCKOUT		1	15
11	544 09 99-01	SPRING		1	15
12	505 15 77-01	THROTTLE		1	15
13	720 18 25-20	PARALLEL PIN		1	15
14	501 15 29-01	TANK VENT ASSY		1	15
15	577 79 02-04	FUEL TANK ASSY		1	
17	523 08 55-01	DEFLECTION LIMITER		1	
18	577 84 43-01	DECAL		1	15
19	503 21 28-13	SCREW CCRPANT		1	
20	504 10 63-01	HANDLE INSERT		1	
21	579 48 24-01	THROTTLE CABLE ASSY		1	15

A

TrioBrake



PRODUCT COMPLETE

550 XP TRIOBRAKE, 2011-11

Ref	Part No	Description	Remark	QTY KIT	
1	576 70 86-01	CLUTCH COVER ASSY	550XP	1	
1	576 70 86-02	CLUTCH COVER ASSY	545	1	
2	503 75 18-01	PIN KNEE-JOINT		1	1
4	505 19 93-01	KNEE JOINT ASSY		1	1
5	503 90 83-01	BRAKE SPRING		1	1
7	505 19 95-02	BRAKE BAND ASSY		1	1
8	523 05 80-01	LABEL		1	1
9	505 20 16-01	GUARD		1	1
10	503 21 70-10	SCREW CCRPANT		5	1
16	505 19 73-01	NUT		2	
17	576 70 87-01	COVER LID		1	1

Illustrated Parts List - IPL Update



Product Name(s)

H550XP Triobrake

Description of change

1. New improved Fuel tank ventilation 501 15 29-01 added on tank 577 79 02-04. Tank ventilation improved regarding higher opening pressure.

Comments

This update is fully exchangeable.

Introduced from

Serial number / Date	Remark
s/n 20163500361	Valid for new Fuel Tank ventilation 501 15 29-01.

IPL updates

Page Title	Ref. no	New part no	Name	Excl. part no.	Remark
Fuel tank	14	501 15 29-01	Tank vent assy	537 35 95-01	