

ILLUSTRATED PARTS LIST

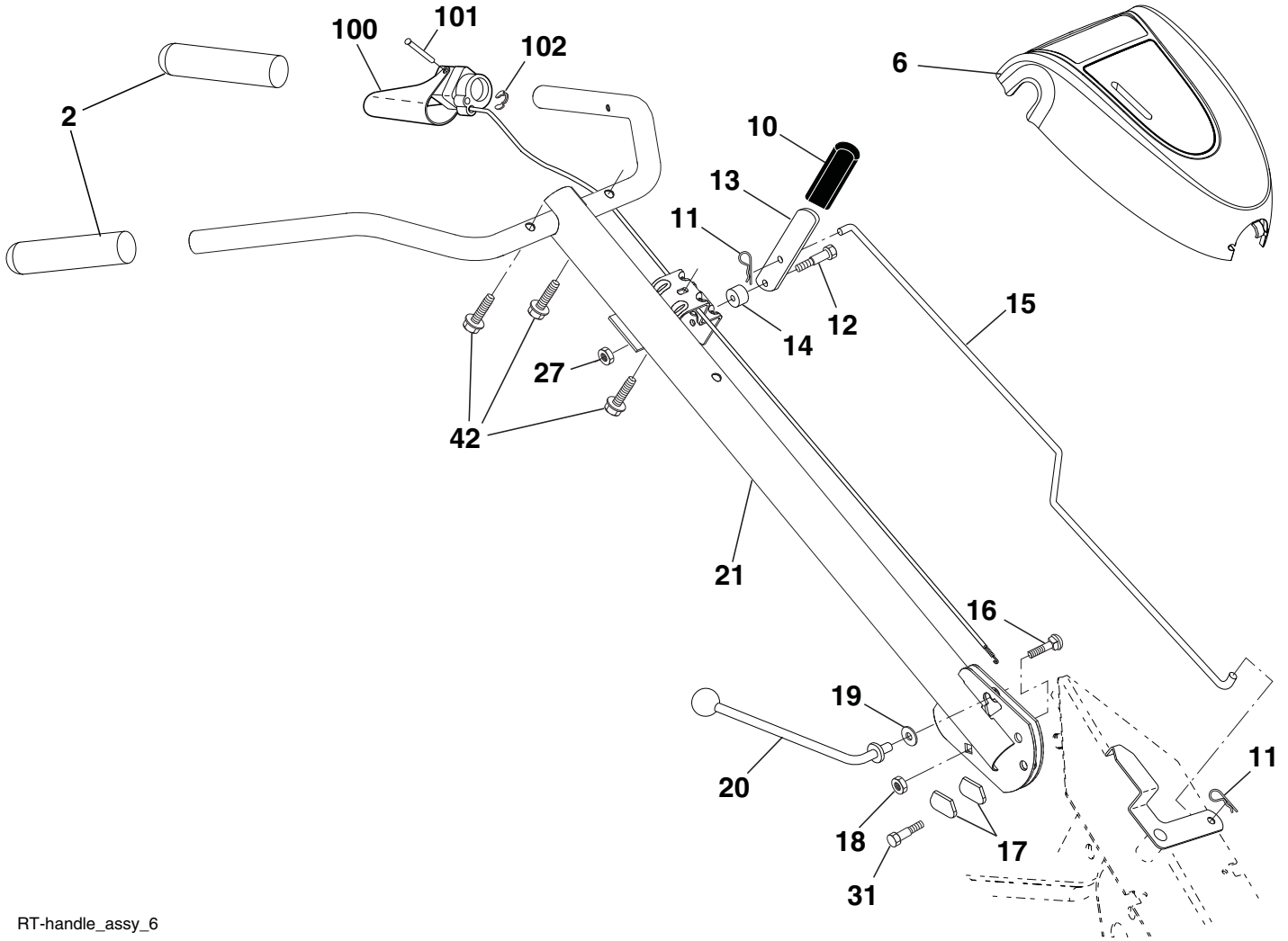


**REAR TINE TILLER**

**MODEL NUMBER: DRT900H**

**MFG. ID. NUMBER: 96093001209**

**HUSQVARNA TILLER - MODEL NUMBER DRT900H (MFG. ID. NO. 96093001209)**  
**HANDLE ASSEMBLY**



RT-handle\_assy\_6

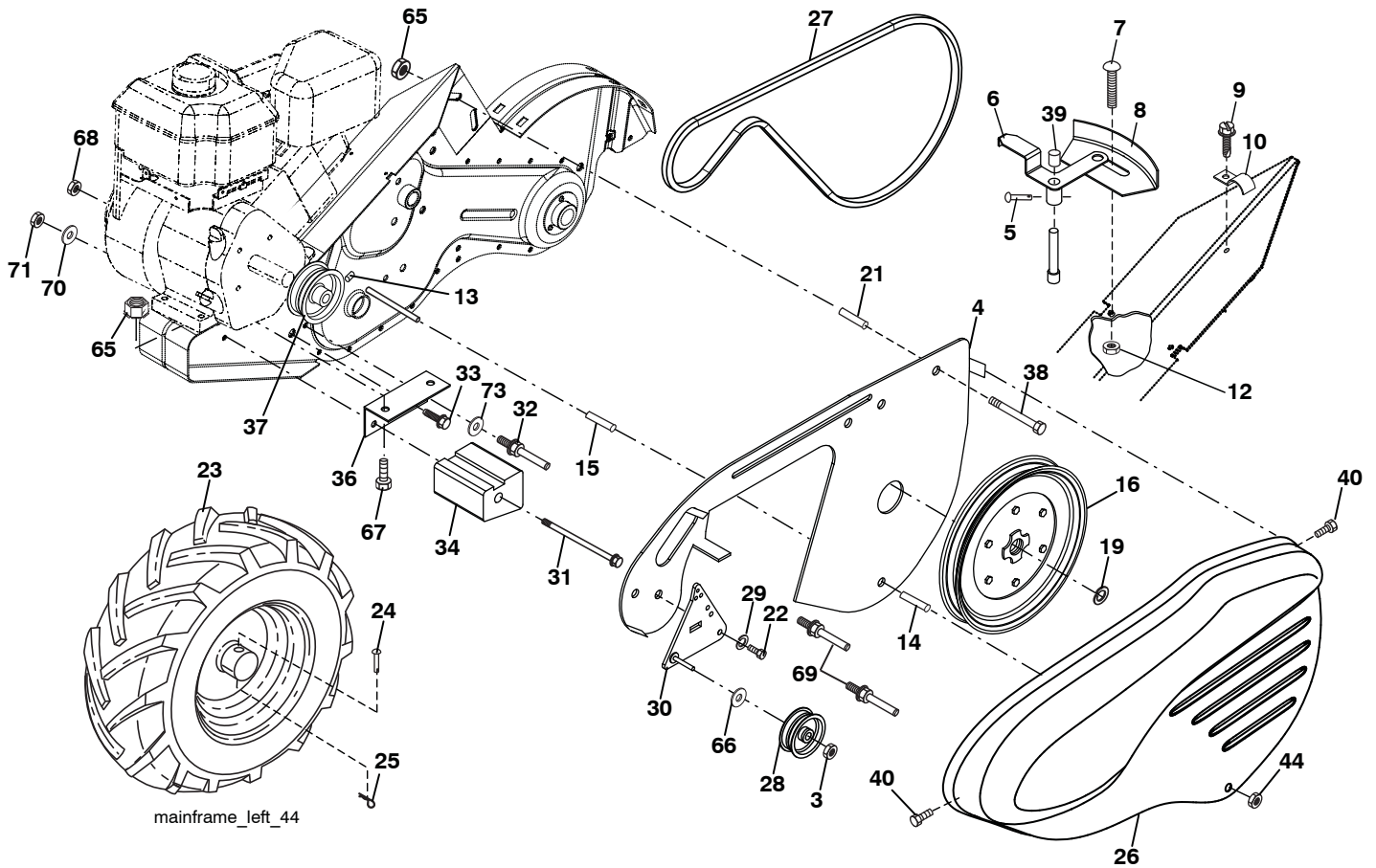
KEY NO.	PART NO.	DESCRIPTION
2	532 42 76-43	Grip, Handle
6	501 85 71-15	Panel, Control
10	532 00 82-06	Grip, Handle
11	532 12 47-88	Clip, Hairpin
12	532 08 13-28	Bolt, Shoulder
13	581 85 12-01	Handle, Shift
14	532 10 93-13	Grommet, Rubber
15	501 72 13-01	Rod, Shift
16	872 11 06-08	Bolt, Carriage, Grade 5, 3/8-16 x 1
17	532 10 92-29	Lock, Handle
18	873 68 06-00	Nut, Crownlock 3/8-16 UNC
19	819 13 16-11	Washer 13/32 x 1 x 11 Gauge

KEY NO.	PART NO.	DESCRIPTION
20	532 10 92-28	Lever, Lock, Handle
21	532 44 61-56	Handle
27	873 90 04-00	Nut, Hex, Flanged, 1/4-20 UNC
31	532 15 06-96	Bolt, Pivot
42	532 41 63-58	Screw
100	532 19 31-33	Lever
101	532 18 85-55	Pin, Pivot
102	812 00 00-59	Retaining Ring
--	581 64 02-02	Bag of Parts (Includes Key Numbers 11, 16-20, and 31)

**NOTE:** All component dimensions given in U.S. inches.  
 1 inch = 25.4 mm

# HUSQVARNA TILLER - MODEL NUMBER DRT900H (MFG. ID. NO. 96093001209)

## MAINFRAME, LEFT SIDE

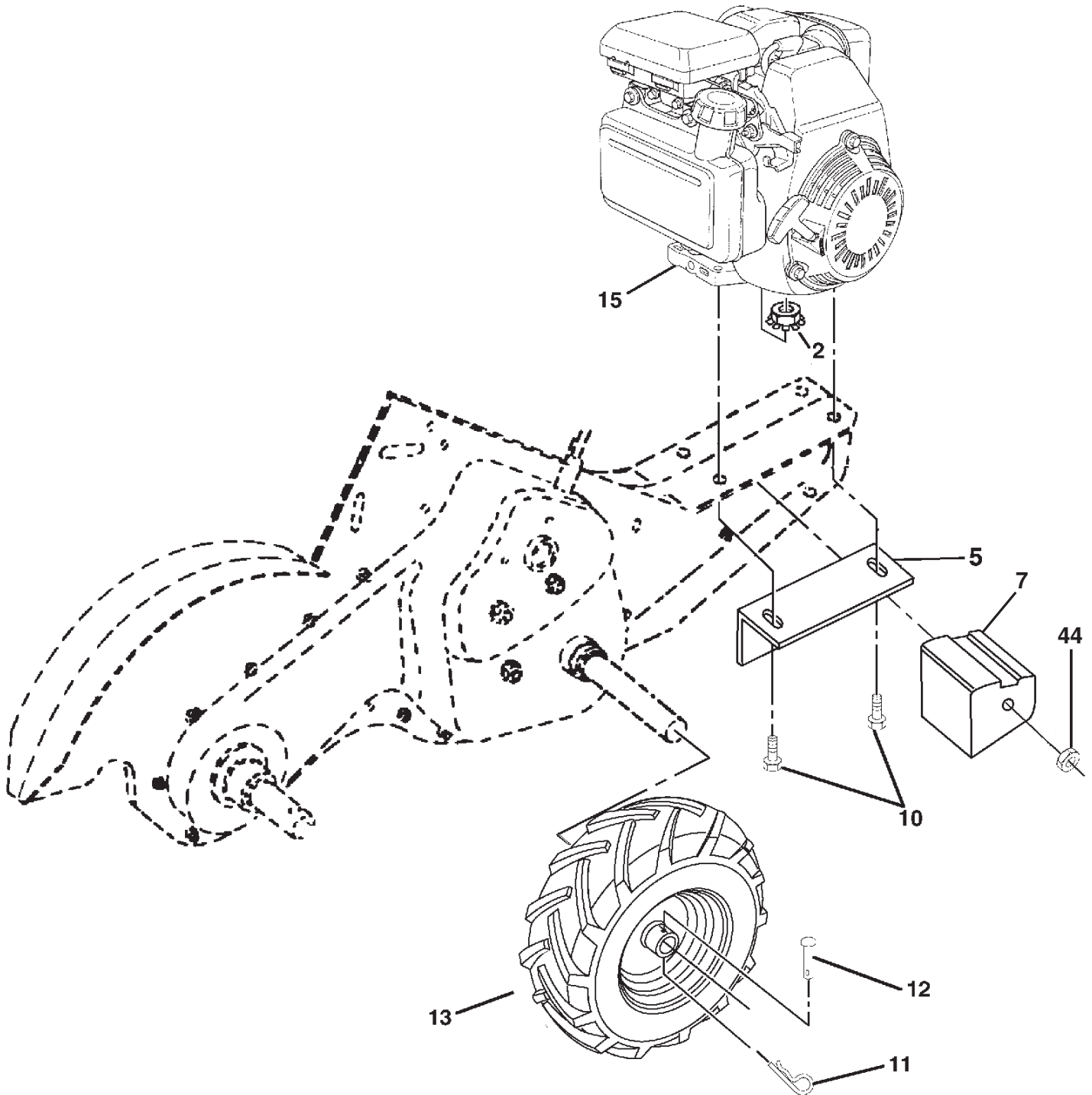


KEY NO.	PART NO.	DESCRIPTION
3	873 93 06-00	Nut, Centerlock, 3/8-16 UNC
4	583 87 77-01	Shield, Inner, Belt Guard, R.H.
5	532 16 43-29	Pin, Spiral Flared
6	532 16 27-56	Lever, Shift
7	872 11 04-04	Bolt, Carriage, Grade 5 1/4-20 x 1/2
8	583 87 92-01	Plate, Shift Indicator
9	532 08 67-77	Screw, Hex Washer Head, Slotted #10-24 x 1/2
10	532 44 60-45	Clip
12	873 51 04-00	Nut, Hex, Keps 1/4-20 UNC
13	823 23 05-06	Screw, Set, Hex 5/16-18 x 3/8
14	532 15 61-17	Spacer, Split, .420 x .327 x 1.220
15	585 83 12-01	Spacer .324 x .420 x 1.40
16	532 14 51-02	Sheave, Transmission
19	812 00 00-28	Retainer, Ring
21	585 83 08-01	Spacer, Split, .420 x .327 x 1.40
22	874 77 05-08	Bolt, Hex Head, 5/16-24 UNF x 1/2
23	581 50 99-02	Wheel & Tire Assembly
24	532 17 12-71	Rivet, Drilled
25	532 12 47-88	Clip, Hairpin
26	532 44 04-38	Guard, Belt
27	532 13 28-01	Belt, V
28	532 10 46-79	Pulley, Idler
29	812 00 00-32	Ring, Klip

KEY NO.	PART NO.	DESCRIPTION
30	584 28 92-01	Bracket, Idler
31	581 74 72-01	Bolt, Hex Head, 5/16-16 x 12
32	532 10 21-41	Shaft, Idler Arm
33	874 76 06-16	Bolt, Hex Head, 3/8-16 x 1
34	581 01 06-01	Counterweight, L.H.
36	581 86 48-01	Bracket, Reinforcement, L.H.
37	582 03 20-01	Sheave, Engine
38	874 76 05-44	Bolt, Hex Head 5/16-18 UNC x 2-3/4
39	532 14 00-62	Cap, Plunger, Black
40	532 17 04-88	Screw, Hex Washer Head, Slotted #10-24 x 1/2
44	873 80 05-00	Locknut, Hex, with Washer Insert 5/16-18 UNC
65	873 97 05-00	Locknut, Hex, Flanged
66	819 13 13-16	Washer, Flat, 3/8 SAE
67	874 76 05-24	Bolt, Hex Head, 5/16-18 x 1-1/2
68	873 51 06-00	Nut, Hex, Keps, 3/8-16 UNC
69	532 16 41-73	Keeper, Belt, Engine
70	819 13 20-12	Washer, Flat
71	873 68 06-00	Nut, Hex
73	819 13 13-12	Washer 13/32 x 13/16 x 12 Gauge

**NOTE:** All component dimensions given in U.S. inches.  
1 inch = 25.4 mm

**HUSQVARNA TILLER - MODEL NUMBER DRT900H (MFG. ID. NO. 96093001209)**  
**MAINFRAME, RIGHT SIDE**



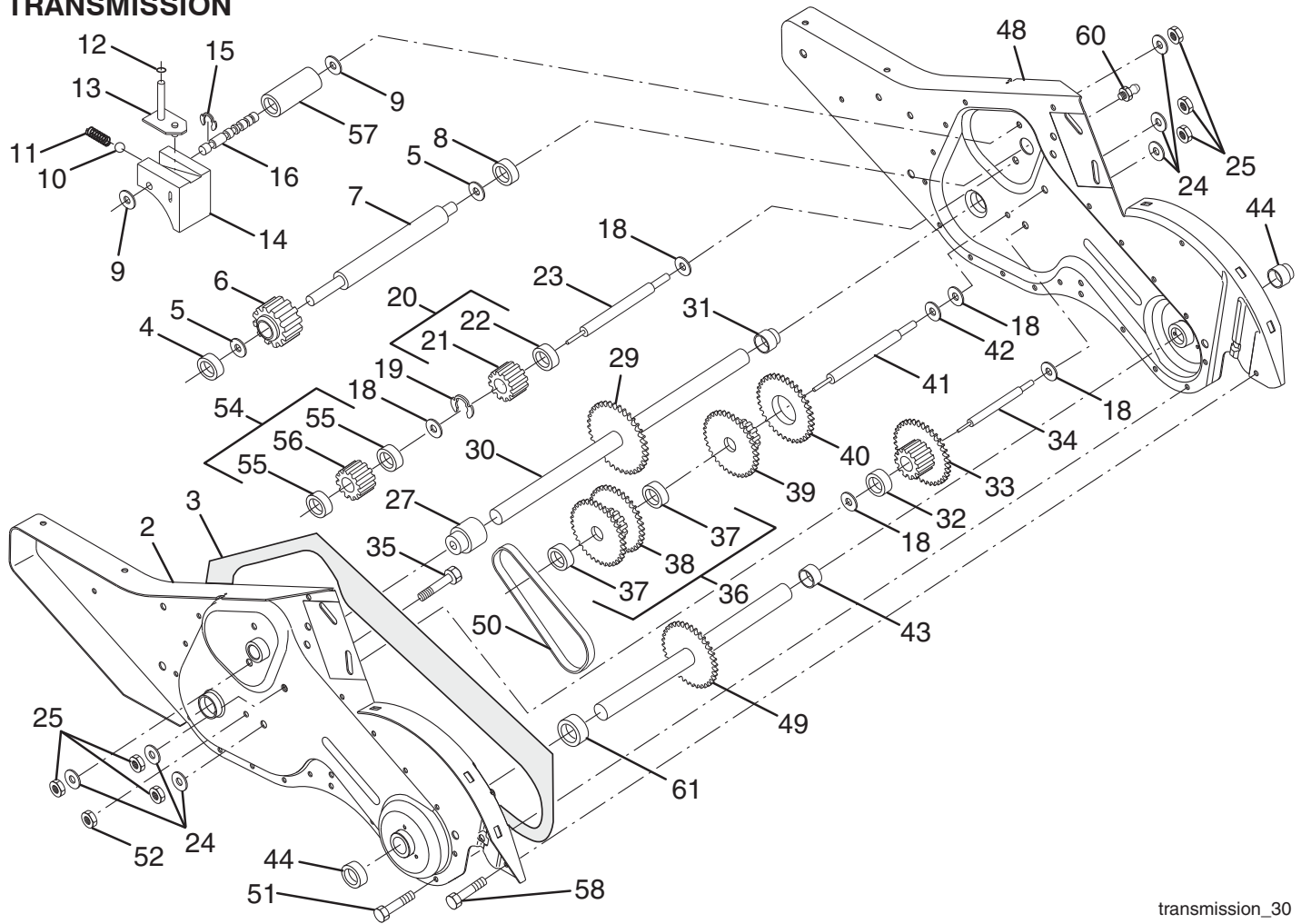
KEY NO.	PART NO.	DESCRIPTION
2	873 97 05-00	Locknut, Hex, Flanged, 5/16-18
5	581 86 47-01	Bracket, Reinforcement
7	581 01 04-01	Counter Weight, R.H.
10	874 76 05-28	Bolt, Hex Head, 5/16-18 x 1-3/4
11	532 12 47-88	Clip, Hairpin
12	532 17 12-71	Rivet, Drilled
13	581 50 99-01	Wheel & Tire Assembly

KEY NO.	PART NO.	DESCRIPTION
15	---	Engine, Honda, Model Number GC160LA-MHAB (Order parts from Honda Engines)
44	873 51 06-00	Nut, Hex, Keps, 3/8-16 UNC

**NOTE:** All component dimensions given in U.S. inches  
 1 inch = 25.4 mm

# HUSQVARNA TILLER - MODEL NUMBER DRT900H (MFG. ID. NO. 96093001209)

## TRANSMISSION



transmission\_30

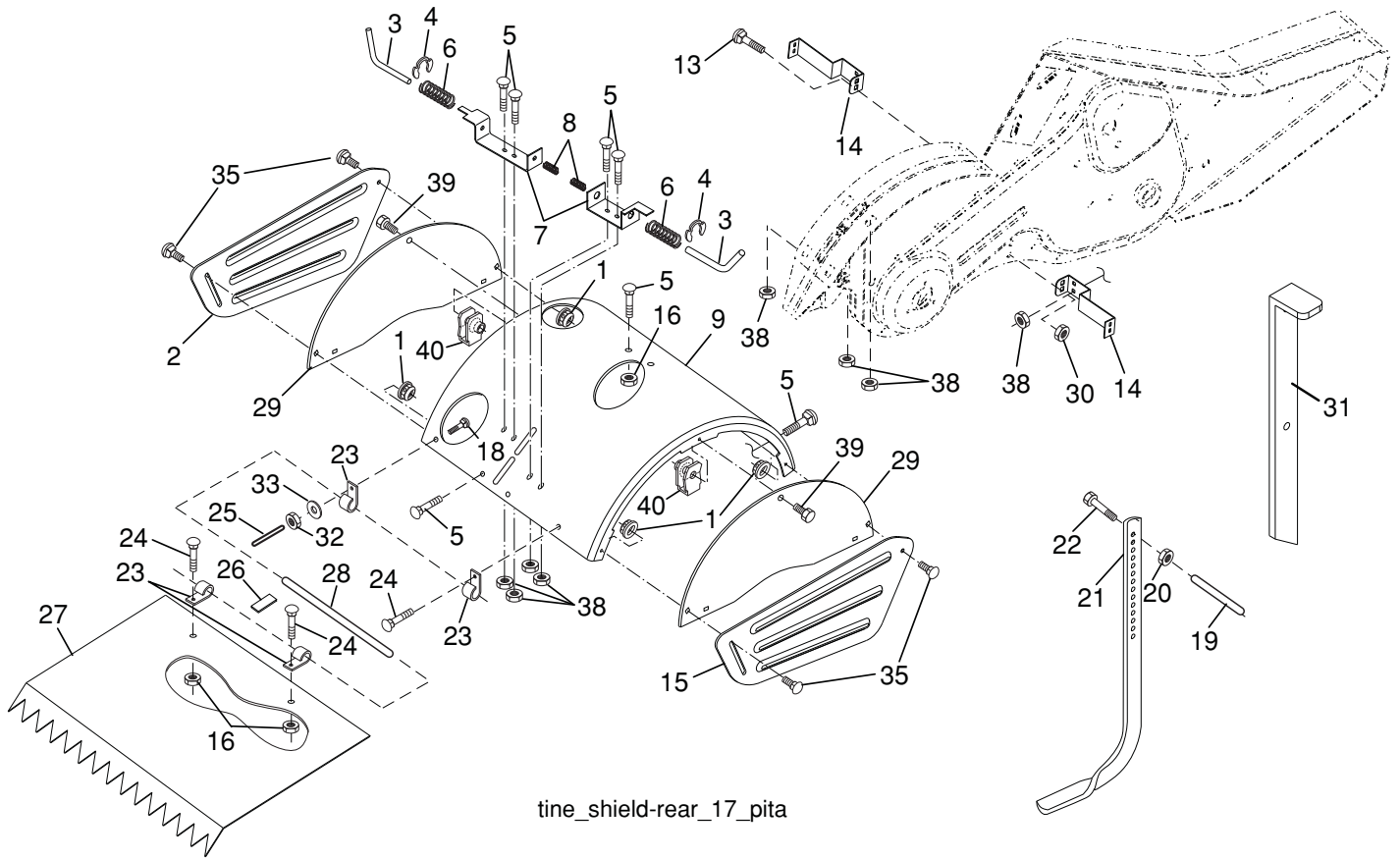
KEY NO.	PART NO.	DESCRIPTION
1	532 18 11-04	Transmission Assembly (Includes Key Numbers 2-52)
2	532 18 82-20	Gearcase, L.H., w/Bearing (Includes Key Number 4)
3	501 60 63-01	Gasket, Gearcase
4	532 00 50-20	Bearing, Needle
5	532 00 13-70	Washer, Thrust, 5/8 x 1.10 x 1/32
6	586 19 62-01	Pinion, Input
7	532 16 15-18	Shaft, Input
8	532 00 48-95	Bearing, Needle
9	532 15 44-67	Washer, Seal
10	532 00 73-92	Ball, Steel
11	532 10 03-71	Spring, Shift, Fork
12	532 10 61-60	O-Ring
13	532 14 21-45	Arm, Shift
14	532 00 83-53	Fork, Shift
15	812 00 00-39	Ring, Klip
16	532 16 15-16	Shaft, Shift
18	532 00 43-58	Washer
19	812 00 00-40	Ring, Klip
20	532 10 21-14	Gear Assembly, Reverse Idler (Includes Key Numbers 21 and 22)
21	532 10 21-15	Gear, Reverse Idler
22	532 00 68-03	Bearing, Needle
23	532 16 15-27	Shaft, Reverse Idler
24	810 04 07-00	Washer, Lock, 7/16
25	873 61 07-00	Nut, Hex, 7/16-20
27	532 43 12-19	Bearing, Shaft, Ground Drive, L.H.
29	532 10 21-34	Chain #35-50 Pitch
30	532 15 07-37	Ground Shaft Assembly
31	532 14 30-08	Bearing, Shaft, Ground Drive, R.H.

KEY NO.	PART NO.	DESCRIPTION
32	532 10 63-88	Spacer 0.70 x 1.00 x 1.150
33	532 10 21-21	Sprocket and Gear Assembly
34	532 10 21-12	Shaft, Reduction (2nd)
35	532 10 21-01	Screw, Whizlock, 5/16-18 x 3-1/2
36	532 16 15-24	Sprocket Assembly, w/Bearing (Includes Key Numbers 37 and 38)
37	585 69 55-01	Bearing, Needle
38	532 16 15-25	Sprocket, Tine
39	532 16 15-26	Gear, Cluster, Red, 1st & 2nd
40	532 10 53-46	Gear, Reverse
41	532 16 15-23	Shaft, Reduction (1st)
42	532 00 42-20	Washer, Thrust
43	532 10 61-46	Spacer, 1.01 x 1.75 x 0.760
44	532 15 52-36	Seal Assembly, Oil
48	532 18 82-35	Gearcase, R.H., w/Bearing (Includes Key Number 8)
49	532 43 14-85	Shaft, Tine
50	532 10 61-47	Chain, Roller, #50-50 Pitch
51	817 06 04-08	Screw, 1/4-20 x 1/2
52	873 22 05-00	Nut, Hex, 5/16-18
54	532 16 15-28	Gear, DRT, Idler, w/Bearing (Includes Key Number 55)
55	580 75 57-01	Bearing, Needle
56	532 16 15-29	Gear, DRT, Idler
57	532 16 58-89	Spacer, Split, .52 x .64 x 1.04
58	532 17 95-20	Screw, 1/4-20 x .875
60	532 18 32-26	Fitting, Grease
61	532 43 10-15	Spacer, 1.015 x 1.50 x .656

**NOTE:** All component dimensions given in U.S. inches  
1 inch = 25.4 mm

# HUSQVARNA TILLER - MODEL NUMBER DRT900H (MFG. ID. NO. 96093001209)

## TINE SHIELD

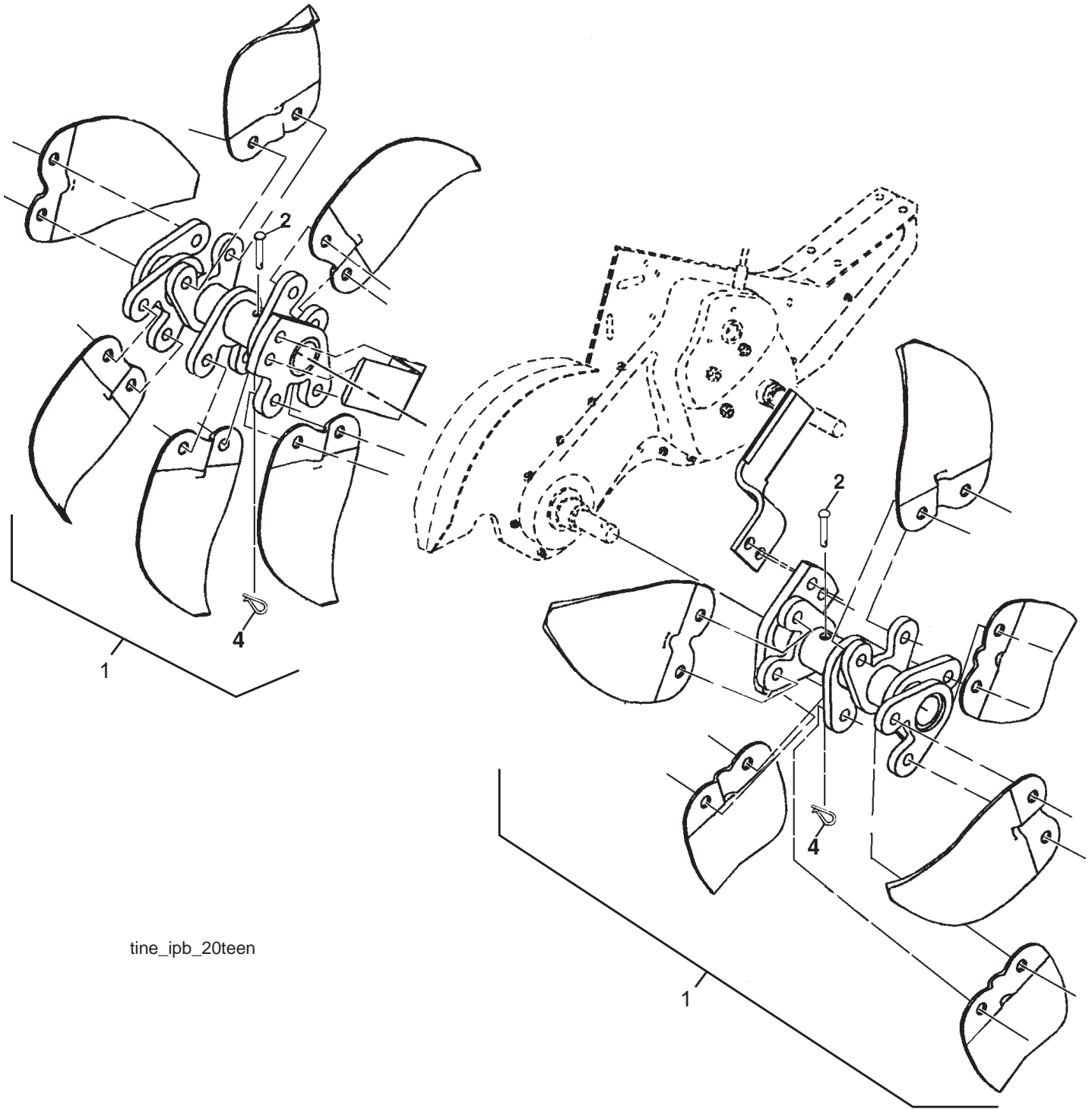


KEY NO.	PART NO.	DESCRIPTION	KEY NO.	PART NO.	DESCRIPTION
1	532 15 53-77	Locknut, Hex, Flanged, 5/16-18 UNC	22	874 93 06-32	Bolt, Hex Head, 3/8-16 x 2
2	532 44 04-52	Shield, Side, Outer, L.H.	23	532 00 44-40	Hinge
3	532 00 83-93	Pin, Depth Stake	24	872 14 04-04	Bolt, Carriage, 1/4-20 x 1/2
4	812 00 00-35	Ring, Klip	25	532 12 47-17	Cap, Vinyl
5	532 18 08-47	Bolt, Carriage, 5/16-18 x 3/4	26	532 10 92-27	Pad, Idler
6	532 00 83-94	Spring	27	532 44 04-48	Shield, Leveling
7	581 85 08-01	Bracket, Latch	28	532 12 05-88	Pin, Hinge
8	532 10 92-30	Spring, Depth Stake	29	581 81 27-06	Shield, Side
9	532 44 04-44	Shield, Tine	30	873 97 05-00	Locknut, Hex, Flanged
13	872 11 05-10	Bolt, Carriage, 5/16-18 x 1-1/4	31	581 82 62-01	Stake, Drag
14	581 84 88-01	Bracket, Shield, Tine	32	873 22 04-00	Nut, Hex, 1/4-20 UNC
15	532 44 04-50	Shield, Side, Outer, R.H.	33	810 04 04-00	Washer, Lock, Heavy Helical, 1/4
16	873 90 04-00	Nut, Hex, Flanged, 1/4-20	35	872 11 05-05	Bolt, Carriage
18	872 04 04-10	Bolt, Carriage, Grade 5 1/4-20 x 1-1/4	38	873 51 05-00	Nut, Hex, Keps, 5/16-18 UNC
19	532 10 27-01	Grip	39	532 42 88-67	Bolt, Hex Head
20	873 22 06-00	Nut, Hex, 3/8-16	40	532 18 11-56	Nut, Speed
21	532 12 50-00	Stake, Depth			

**NOTE:** All component dimensions given in U.S. inches.  
1 inch = 25.4 mm



**HUSQVARNA TILLER - MODEL NUMBER DRT900H (MFG. ID. NO. 96093001209)**  
**TINE ASSEMBLY**

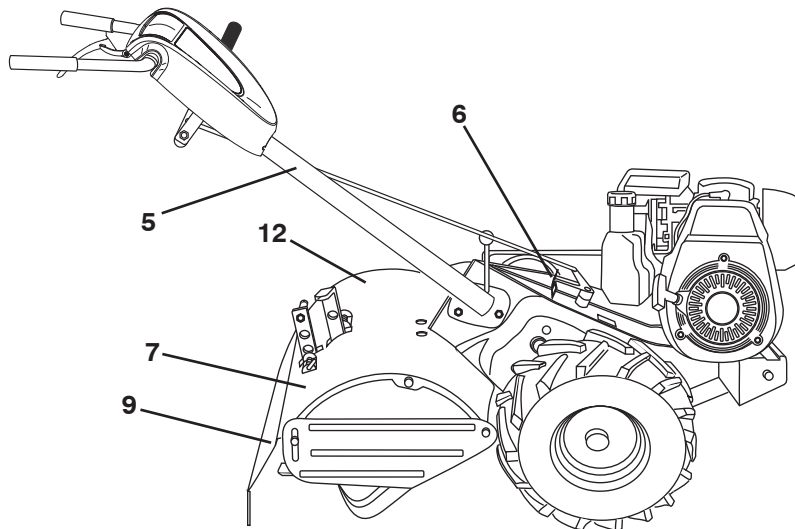
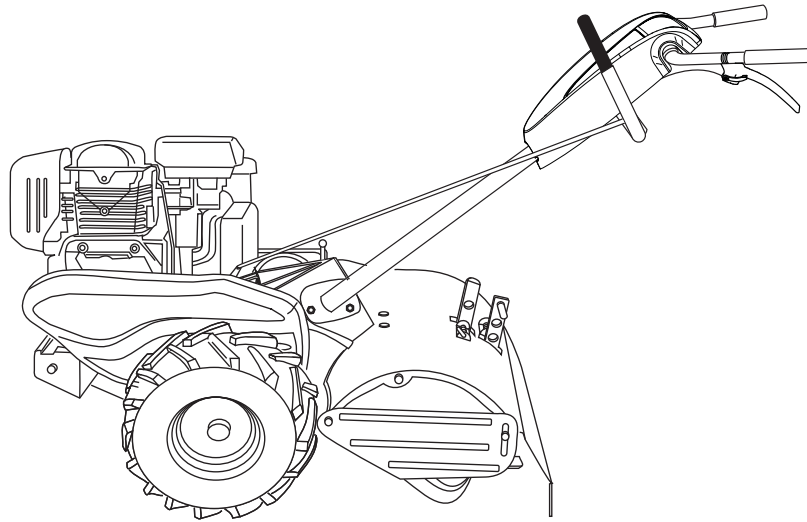


tine\_ipb\_20teen

KEY NO.	PART NO.	DESCRIPTION
1	584 40 67-02	Tine Assembly
2	532 13 26-73	Pin, Shear
4	532 12 46-60	Clip, Hairpin

**NOTE:** All component dimensions given in U.S. inches.  
 1 inch = 25.4 mm

**HUSQVARNA TILLER - MODEL NUMBER DRT900H (MFG. ID. NO. 96093001209)**  
**DECALS**



KEY NO.	PART NO.	DESCRIPTION
5	532 11 06-14	Decal, Hand Placement
6	532 16 62-02	Decal, Shift Indicator
7	532 43 95-38	Decal, Reverse
9	532 17 67-82	Decal, Warning, Rotating Tines
12	532 43 95-37	Decal, Forward
--	587 92 10-01	Decal, Ethanol (not shown)
--	532 44 59-37	Manual, Operator's, English / French
--	115 84 84-46	Manual, Operator's, Spanish