

ILLUSTRATED PARTS LIST

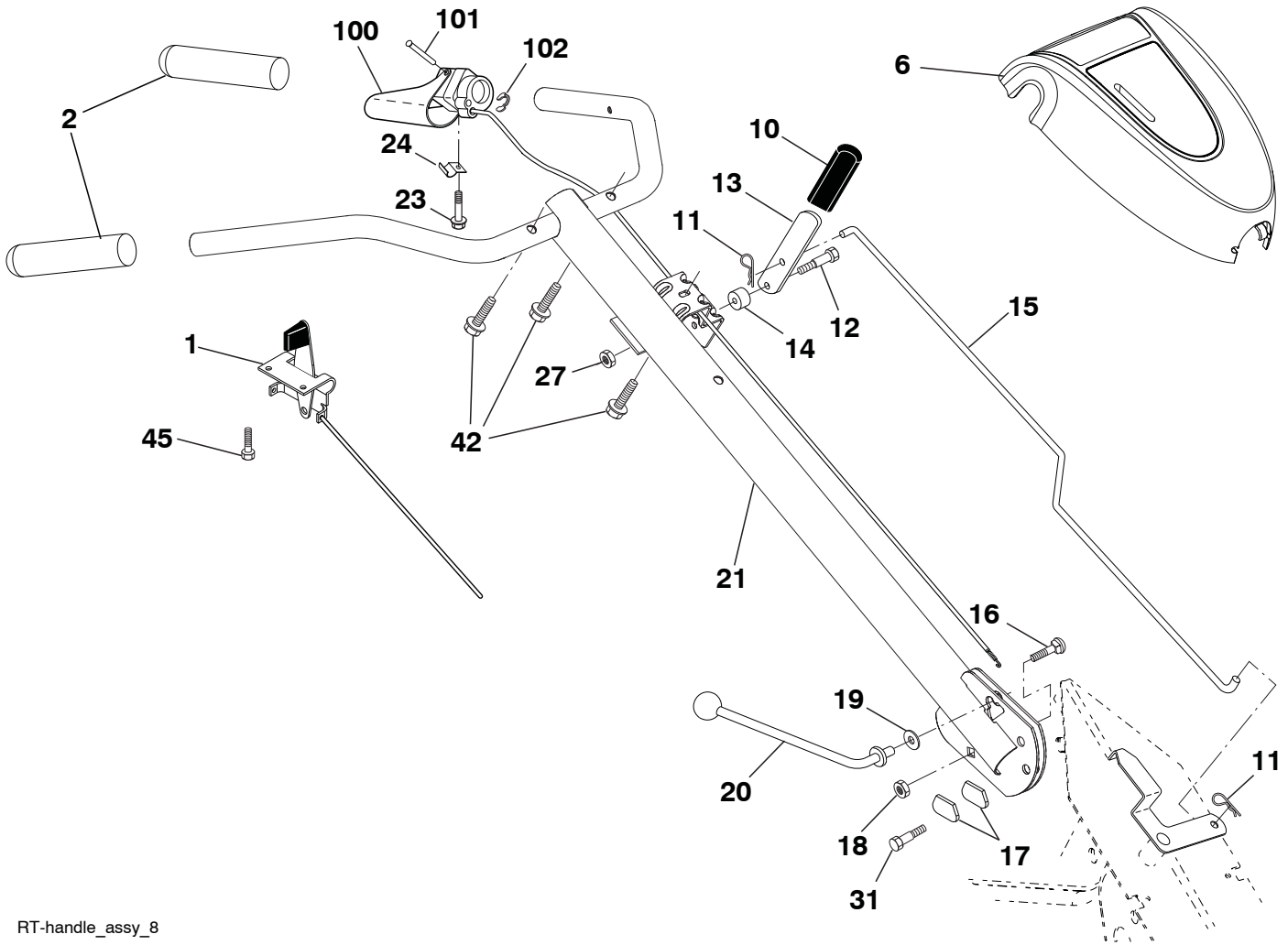


REAR TINE TILLER

MODEL NUMBER: TR317DE

MFG. ID. NUMBER: 96093003101

HUSQVARNA REAR TINE TILLER - MODEL NO. TR317DE (MFG. ID. NO. 96093003101) HANDLE ASSEMBLY



RT-handle_assy_8

KEY PART NO. NO. DESCRIPTION

1	592 92 83-01	Control, Throttle
2	532 42 76-43	Grip, Handle
6	501 85 71-16	Panel, Control
10	532 12 47-97	Grip, Handle
11	532 12 47-88	Clip, Hairpin
12	532 08 13-28	Bolt, Shoulder
13	581 85 12-01	Handle, Shift
14	532 10 93-13	Grommet, Rubber
15	501 72 13-01	Rod, Shift
16	872 11 06-08	Bolt, Carriage, Grade 5, 3/8-16 x 1
17	532 10 92-29	Lock, Handle
18	873 68 06-00	Nut, Crownlock 3/8-16 UNC
19	819 13 16-11	Washer 13/32 x 1 x 11 Gauge
20	532 10 92-28	Lever, Lock, Handle
21	532 44 61-56	Handle

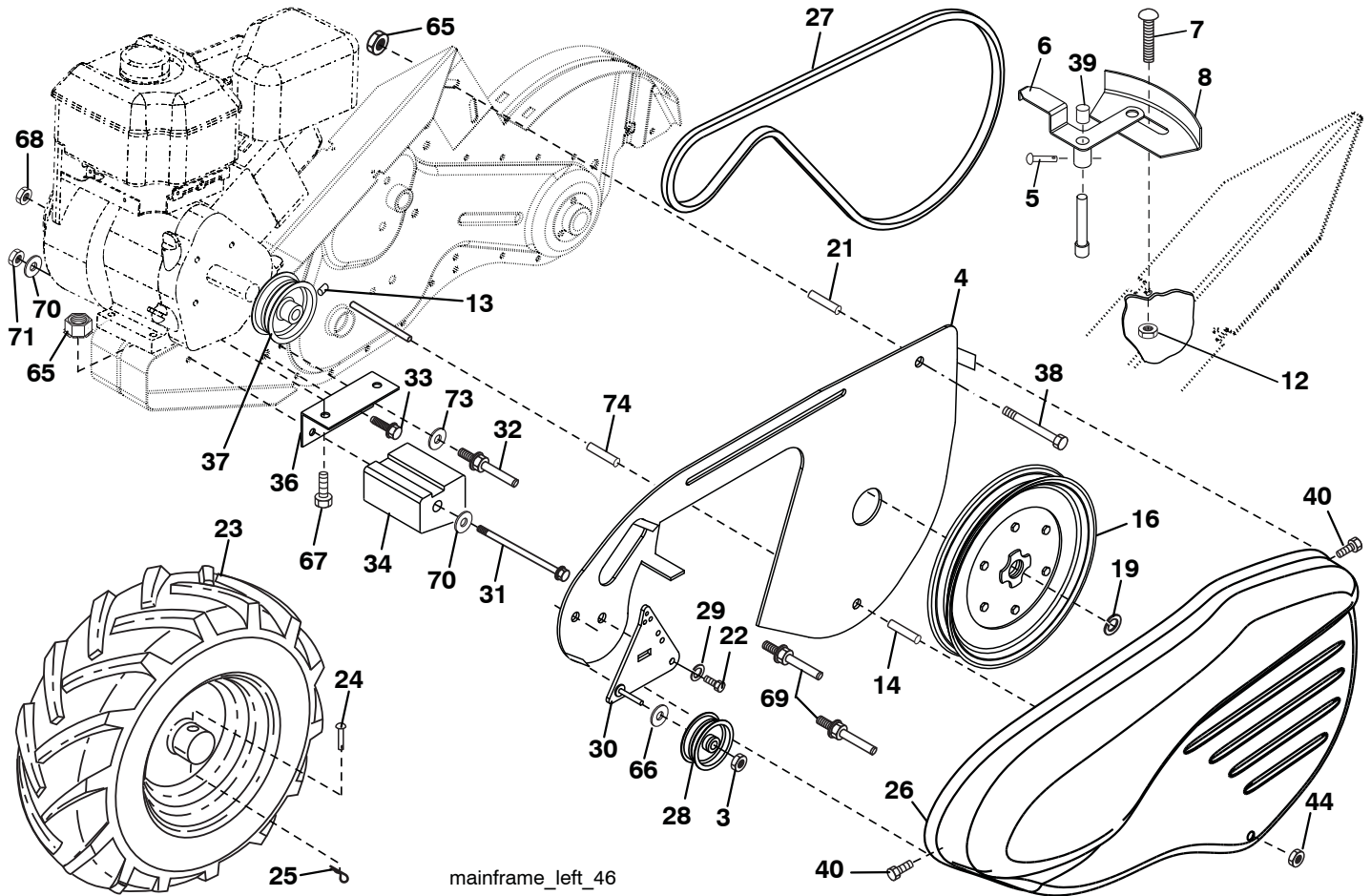
KEY PART NO. NO. DESCRIPTION

23	532 08 67-77	Screw, Hex Washer Head, Slotted #10-24 x 1/2
24	532 44 60-45	Clip
27	873 90 04-00	Nut, Hex, Flanged, 1/4-20 UNC
31	532 15 06-96	Bolt, Pivot
42	532 41 63-58	Screw
45	532 42 17-56	Screw, #10 x 1/2 BOS Thread
100	532 19 31-33	Lever
101	532 18 85-55	Pin, Pivot
102	812 00 00-59	Retaining Ring
--	581 64 02-02	Bag of Hardware (Includes Key Numbers 11, 16-20, and 31)

NOTE: All component dimensions given in U.S. inches.
1 inch = 25.4 mm

HUSQVARNA REAR TINE TILLER - MODEL NO. TR317DE (MFG. ID. NO. 96093003101)

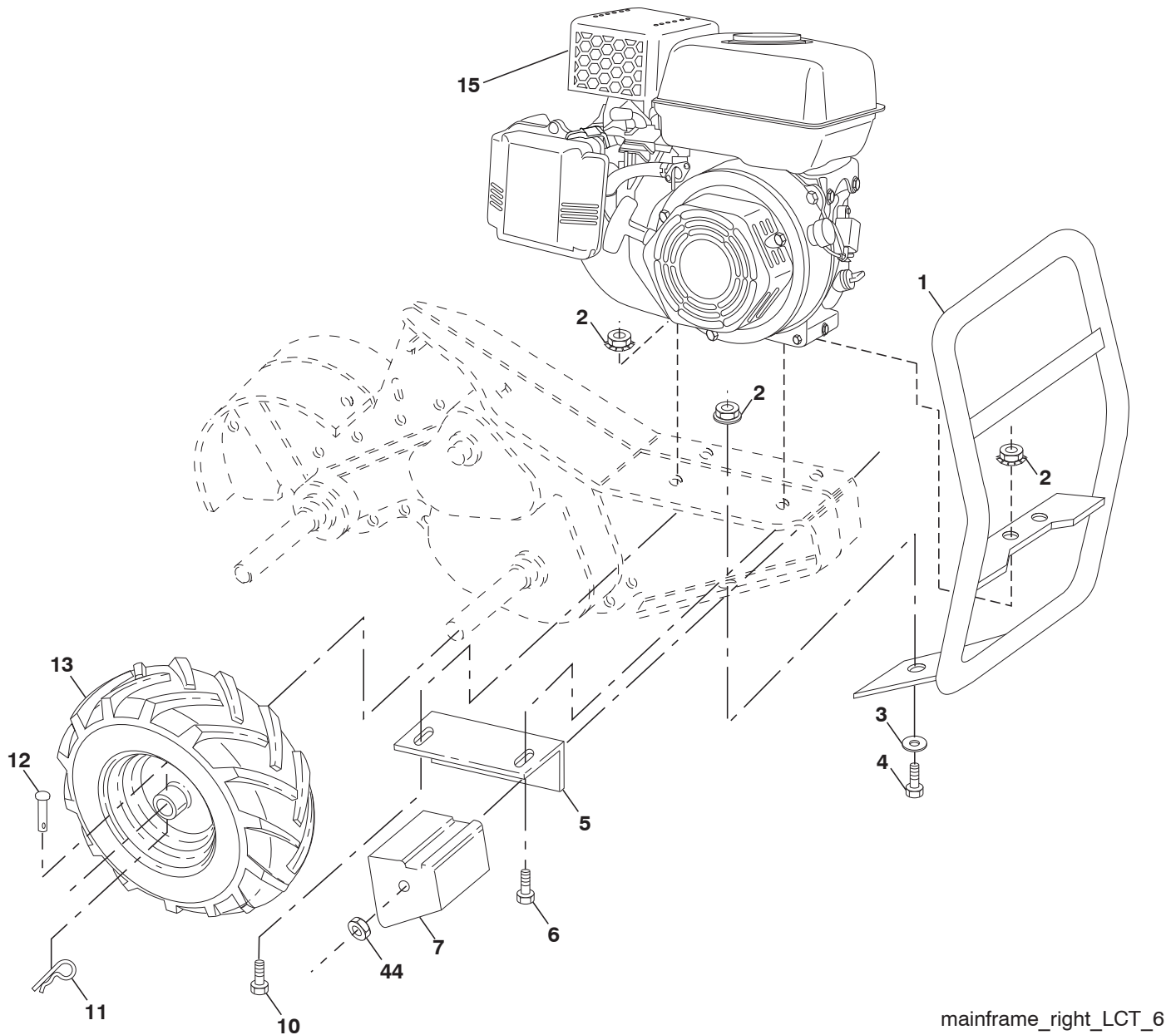
MAINFRAME, LEFT SIDE



KEY NO.	PART NO.	DESCRIPTION	KEY NO.	PART NO.	DESCRIPTION
3	873 93 06-00	Nut, Centerlock, 3/8-16 UNC	34	581 01 06-01	Counterweight, L.H.
4	583 87 77-01	Shield, Inner, Belt Guard, R.H.	36	581 86 48-01	Bracket, Reinforcement, L.H.
5	532 16 43-29	Pin, Spiral Flared	37	582 03 20-01	Sheave, Engine
6	532 16 27-56	Lever, Shift	38	874 76 05-44	Bolt, Hex Head 5/16-18 UNC x 2-3/4
7	872 11 04-04	Bolt, Carriage, Grade 5 1/4-20 x 1/2	39	532 14 00-62	Cap, Plunger, Black
8	583 87 92-01	Plate, Shift Indicator	40	532 17 04-88	Screw, Hex Washer Head, Slotted #10-24 x 1/2
12	873 51 04-00	Nut, Hex, Keps 1/4-20 UNC	44	873 80 05-00	Locknut, Hex, with Washer Insert 5/16-18 UNC
13	823 23 05-06	Screw, Set, Hex 5/16-18 x 3/8	65	873 97 05-00	Locknut, Hex, Flanged
14	532 15 61-17	Spacer, Split 0.327 x 0.42 x 1.220	66	819 13 13-16	Washer, Flat, 3/8 SAE
16	532 14 51-02	Sheave, Transmission	67	874 76 05-28	Bolt, Hex Head, 5/16-18 x 1-3/4
19	812 00 00-28	Retainer, Ring	68	873 51 06-00	Nut, Hex, Keps, 3/8-16 UNC
21	585 83 08-01	Spacer, Split .420 x .327	69	532 16 41-73	Keeper, Belt, Engine
22	874 77 05-08	Bolt, Hex Head, 5/16-24 UNF x 1/2	70	819 13 20-12	Washer, Flat
23	581 50 99-02	Wheel & Tire Assembly	71	873 68 06-00	Nut, Hex
24	532 17 12-71	Rivet, Drilled	73	819 13 13-12	Washer 13/32 x 13/16 x 12 Gauge
25	532 12 47-88	Clip, Hairpin	74	585 83 12-01	Spacer, Split .420 x .327
26	532 44 04-38	Guard, Belt			
27	532 13 28-01	Belt, V			
28	532 10 46-79	Pulley, Idler			
29	812 00 00-32	Ring, Klip			
30	584 28 92-01	Bracket, Idler			
31	581 74 72-01	Bolt, Hex Head, 5/16-16 x 12			
32	532 10 21-41	Shaft, Idler Arm			
33	874 76 06-16	Bolt, Hex Head, 3/8-16 x 1			

NOTE: All component dimensions given in U.S. inches.
1 inch = 25.4 mm

HUSQVARNA REAR TINE TILLER - MODEL NO. TR317DE (MFG. ID. NO. 96093003101)
MAINFRAME, RIGHT SIDE



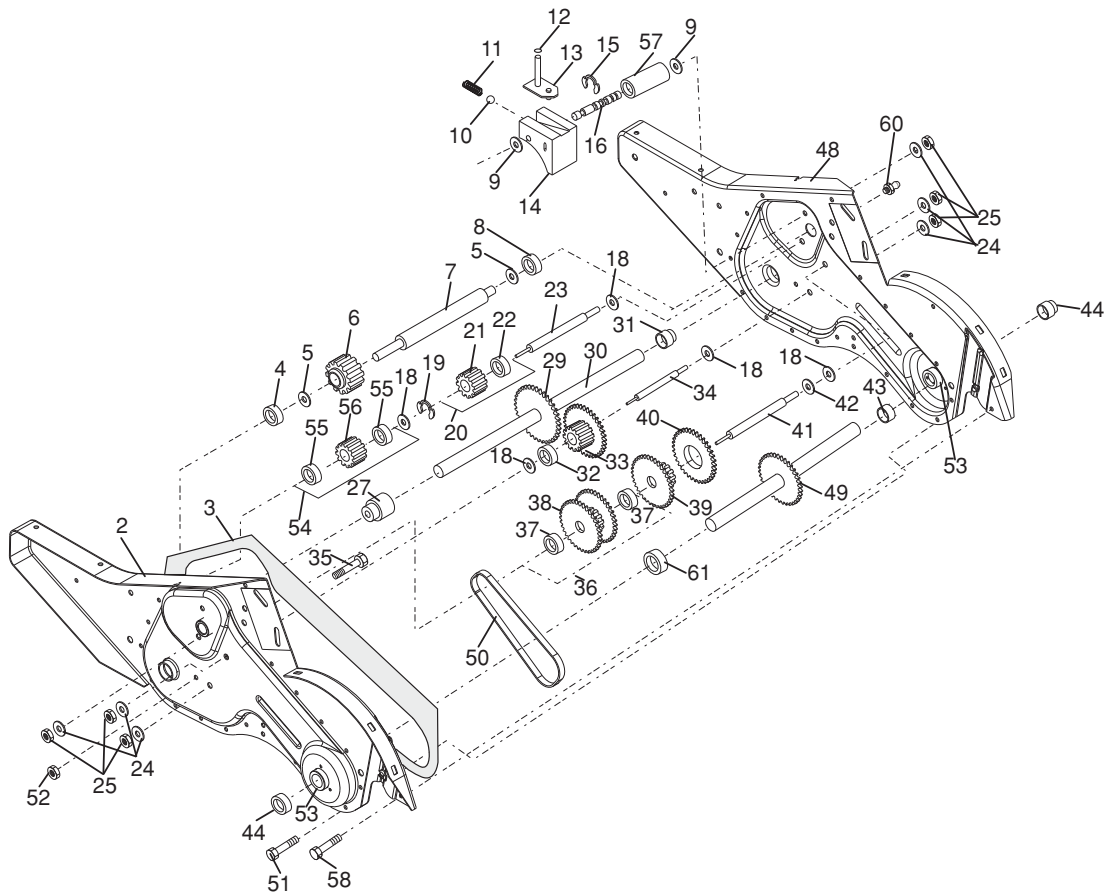
mainframe_right_LCT_6

KEY NO.	PART NO.	DESCRIPTION
1	581 60 22-02	Bumper Assembly
2	873 97 05-00	Locknut, Hex, Flanged, 5/16-18
3	819 11 11-16	Washer, 11/32 x 11/16 x 16 Gauge
4	874 76 05-12	Bolt, 5/16-18 x 3/4
5	581 86 47-01	Bracket, Reinforcement
6	874 76 05-28	Bolt, 5/16-18 x 1-3/4
7	581 01 04-01	Counter Weight, R.H.
10	874 76 05-24	Bolt, Hex Head, 5/16-18 x 1-1/2

KEY NO.	PART NO.	DESCRIPTION
11	532 12 47-88	Clip, Hairpin
12	532 17 12-71	Rivet, Drilled
13	581 50 99-01	Wheel & Tire Assembly
15	590 96 26-02	Engine, LCT, Model Number PLMHK14650124E
44	873 51 06-00	Nut, Hex, Keps, 3/8-16 UNC

NOTE: All component dimensions given in U.S. inches
 1 inch = 25.4 mm

HUSQVARNA REAR TINE TILLER - MODEL NO. TR317DE (MFG. ID. NO. 96093003101) TRANSMISSION



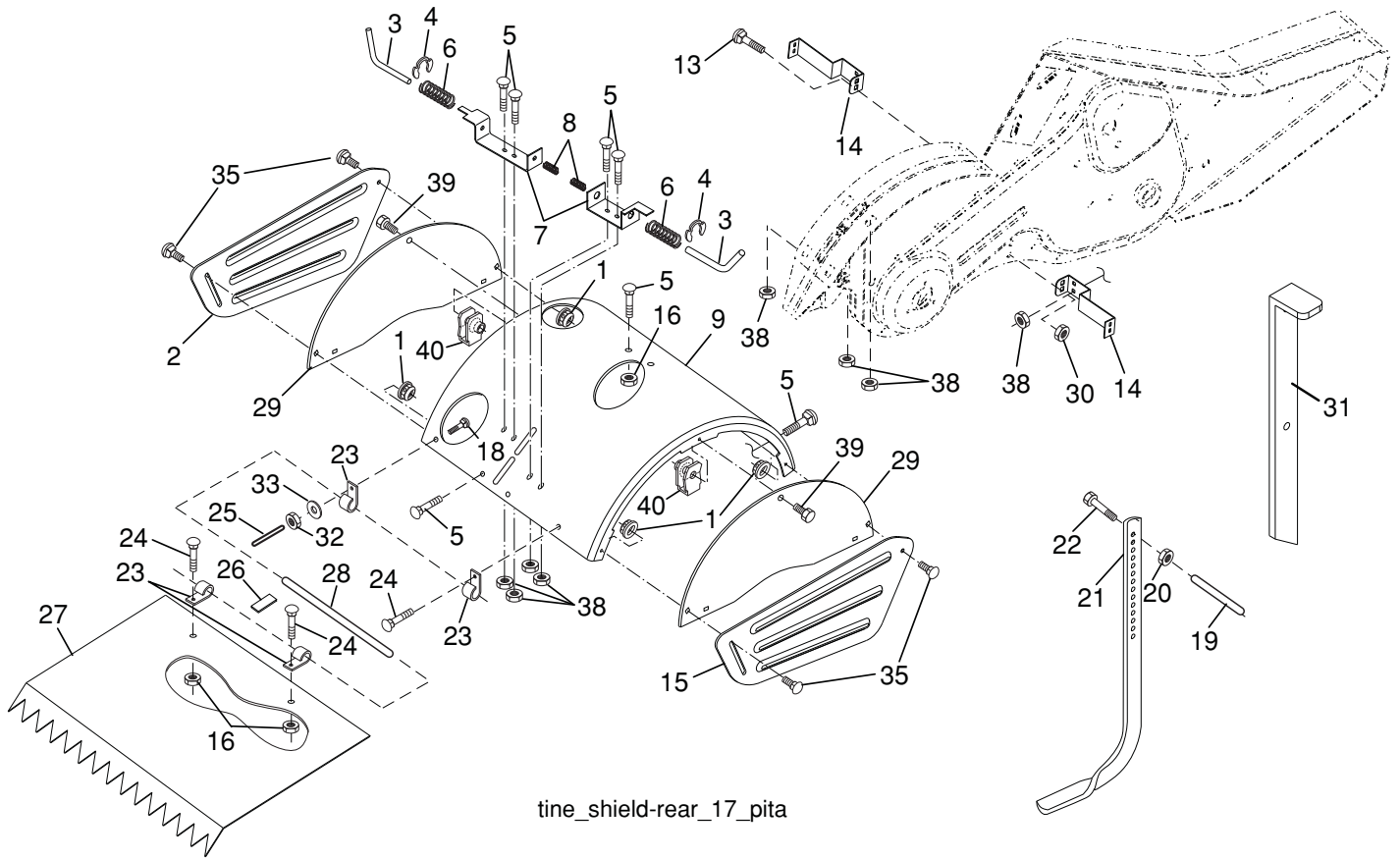
KEY NO.	PART NO.	DESCRIPTION
1	532 18 11-04	Transmission Assembly (Includes Key Numbers 2–52)
2	532 18 82-20	Gearcase, L.H., w/Bearing (Includes Key Number 4)
3	501 60 63-01	Gasket, Gearcase
4	532 00 50-20	Bearing, Needle
5	532 00 13-70	Washer, Thrust, 5/8 x 1.10 x 1/32
6	586 19 62-01	Pinion, Input
7	532 16 15-18	Shaft, Input
8	532 00 48-95	Bearing, Needle
9	532 15 44-67	Washer, Seal
10	532 00 73-92	Ball, Steel
11	532 10 03-71	Spring, Shift, Fork
12	532 10 61-60	O-Ring
13	532 14 21-45	Arm, Shift
14	532 00 83-53	Fork, Shift
15	812 00 00-39	Ring, Klip
16	532 16 15-16	Shaft, Shift
18	532 00 43-58	Washer
19	812 00 00-40	Ring, Klip
20	532 10 21-14	Gear Assembly, Reverse Idler (Includes Key Numbers 21 and 22)
21	532 10 21-15	Gear, Reverse Idler
22	532 00 68-03	Bearing, Needle
23	532 16 15-27	Shaft, Reverse Idler
24	810 04 07-00	Washer, Lock, 7/16
25	873 61 07-00	Nut, Hex, 7/16-20
27	532 43 12-19	Bearing, Shaft, Ground Drive, L.H.
29	532 10 21-34	Chain #35-50 Pitch
30	532 15 07-37	Ground Shaft Assembly
31	532 14 30-08	Bearing, Shaft, Ground Drive, R.H.
32	532 10 63-88	Spacer 0.70 x 1.00 x 1.150

KEY NO.	PART NO.	DESCRIPTION
33	532 10 21-21	Sprocket and Gear Assembly
34	532 10 21-12	Shaft, Reduction (2nd)
35	532 10 21-01	Screw, Whizlock, 5/16-18 x 3-1/2
36	532 16 15-24	Sprocket Assembly, w/Bearing (Includes Key Numbers 37 and 38)
37	585 69 55-01	Bearing, Needle
38	532 16 15-25	Sprocket, Tine
39	532 16 15-26	Gear, Cluster, Red, 1st & 2nd
40	532 10 53-46	Gear, Reverse
41	532 16 15-23	Shaft, Reduction (1st)
42	532 00 42-20	Washer, Thrust
43	532 10 61-46	Spacer, 1.01 x 1.75 x 0.760
44	532 15 52-36	Seal Assembly, Oil
48	532 18 82-35	Gearcase, R.H., w/Bearing (Includes Key Number 8)
49	532 43 14-85	Shaft, Tine
50	532 10 61-47	Chain, Roller, #50-50 Pitch
51	817 06 04-08	Screw, 1/4-20 x 1/2
52	873 22 05-00	Nut, Hex, 5/16-18
53	532 16 51-40	Bearing Kit, Tine Shaft
54	532 16 15-28	Gear, DRT, Idler, w/Bearing (Includes Key Number 55)
55	532 00 34-00	Bearing, Needle
56	532 16 15-29	Gear, DRT, Idler
57	532 16 58-89	Spacer, Split, .52 x .64 x 1.04
58	532 17 95-20	Screw, 1/4-20 x .875
60	532 18 32-26	Fitting, Grease
61	532 43 10-15	Spacer, 1.015 x 1.50 x .656
--	589 31 04-01	Grease, Plastilube #1

NOTE: All component dimensions given in U.S. inches
1 inch = 25.4 mm

HUSQVARNA REAR TINE TILLER - MODEL NO. TR317DE (MFG. ID. NO. 96093003101)

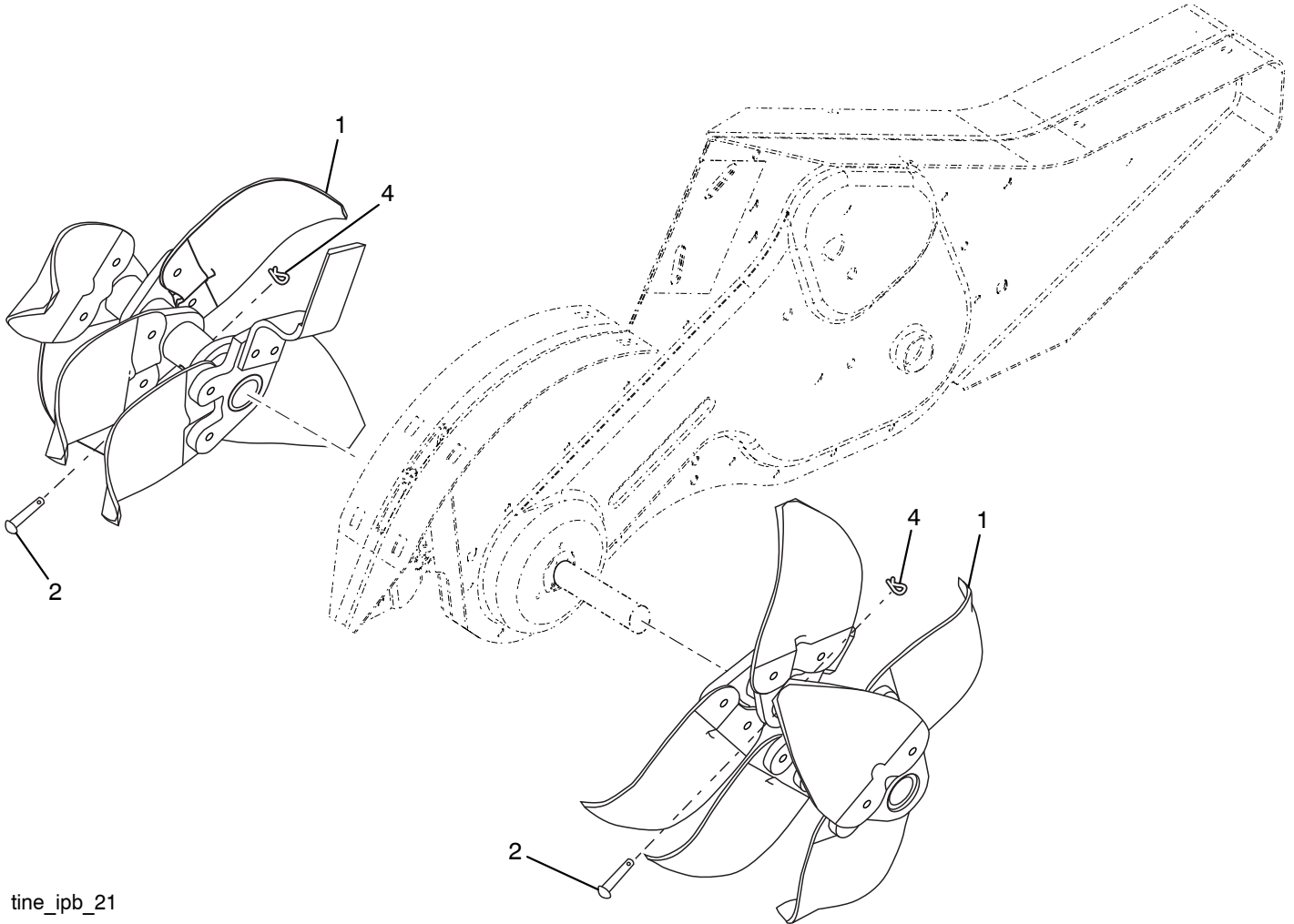
TINE SHIELD



KEY NO.	PART NO.	DESCRIPTION	KEY NO.	PART NO.	DESCRIPTION
1	532 15 53-77	Locknut, Hex, Flanged, 5/16-18 UNC	22	874 93 06-32	Bolt, Hex Head, 3/8-16 x 2
2	532 44 04-52	Shield, Side, Outer, L.H.	23	532 00 44-40	Hinge
3	532 00 83-93	Pin, Depth Stake	24	872 14 04-04	Bolt, Carriage, 1/4-20 x 1/2
4	812 00 00-35	Ring, Klip	25	532 12 47-17	Cap, Vinyl
5	532 18 08-47	Bolt, Carriage, 5/16-18 x 3/4	26	532 10 92-27	Pad, Idler
6	532 00 83-94	Spring	27	532 44 04-48	Shield, Leveling
7	581 85 08-01	Bracket, Latch	28	532 12 05-88	Pin, Hinge
8	532 10 92-30	Spring, Depth Stake	29	581 81 27-06	Shield, Side
9	532 44 04-44	Shield, Tine	30	873 97 05-00	Locknut, Hex, Flanged
13	872 11 05-10	Bolt, Carriage, 5/16-18 x 1-1/4	31	581 82 62-01	Stake, Drag
14	581 84 88-01	Bracket, Shield, Tine	32	873 22 04-00	Nut, Hex, 1/4-20 UNC
15	532 44 04-50	Shield, Side, Outer, R.H.	33	810 04 04-00	Washer, Lock, Heavy Helical, 1/4
16	873 90 04-00	Nut, Hex, Flanged, 1/4-20	35	872 11 05-05	Bolt, Carriage
18	872 04 04-10	Bolt, Carriage, Grade 5 1/4-20 x 1-1/4	38	873 51 05-00	Nut, Hex, Keps, 5/16-18 UNC
19	532 10 27-01	Grip	39	532 42 88-67	Bolt, Hex Head
20	873 22 06-00	Nut, Hex, 3/8-16	40	532 18 11-56	Nut, Speed
21	532 12 50-00	Stake, Depth			

NOTE: All component dimensions given in U.S. inches.
1 inch = 25.4 mm

HUSQVARNA REAR TINE TILLER - MODEL NO. TR317DE (MFG. ID. NO. 96093003101)
TINE ASSEMBLY

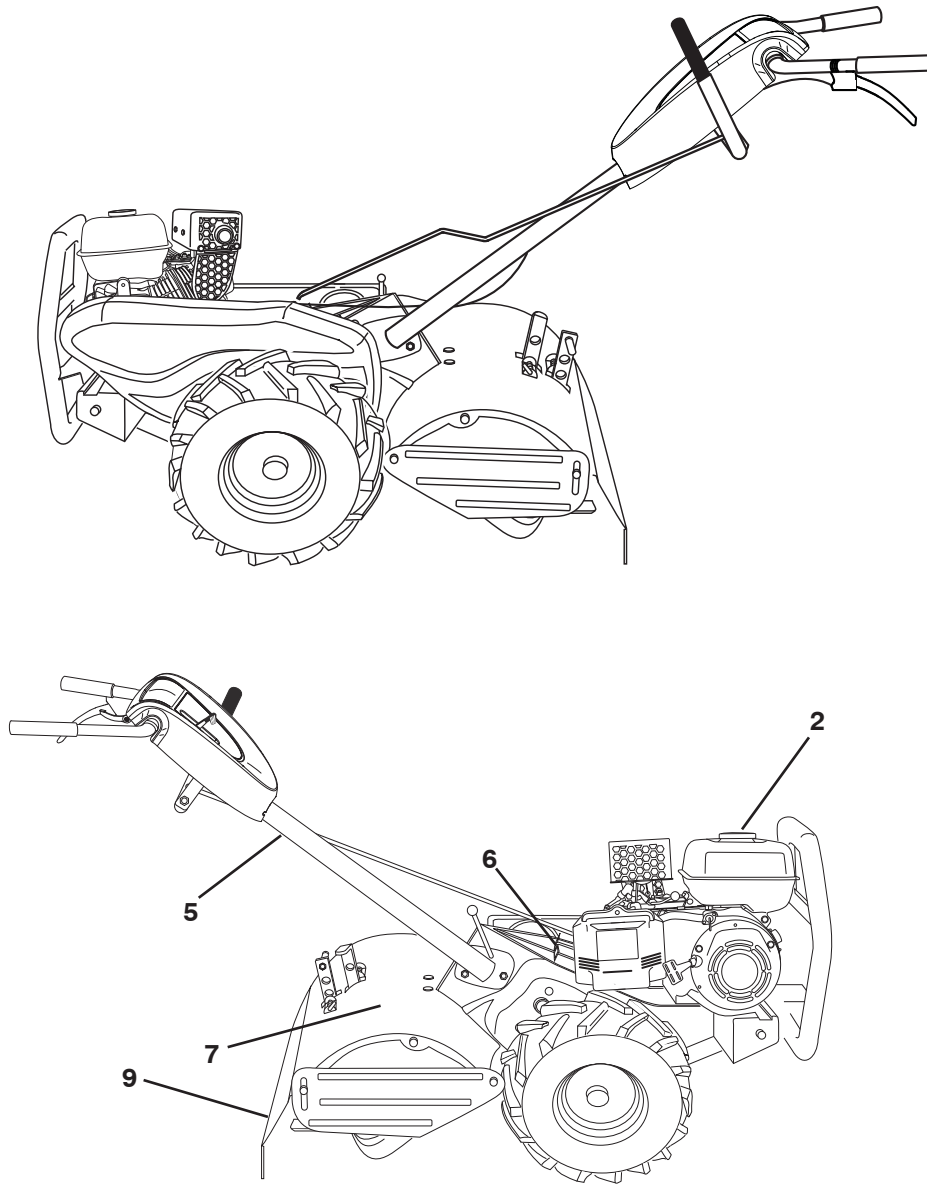


tine_ipb_21

KEY NO.	PART NO.	DESCRIPTION
1	591 07 25-02	Tine Assembly Welded
2	532 13 26-73	Pin, Shear
4	532 12 46-60	Clip, Hairpin

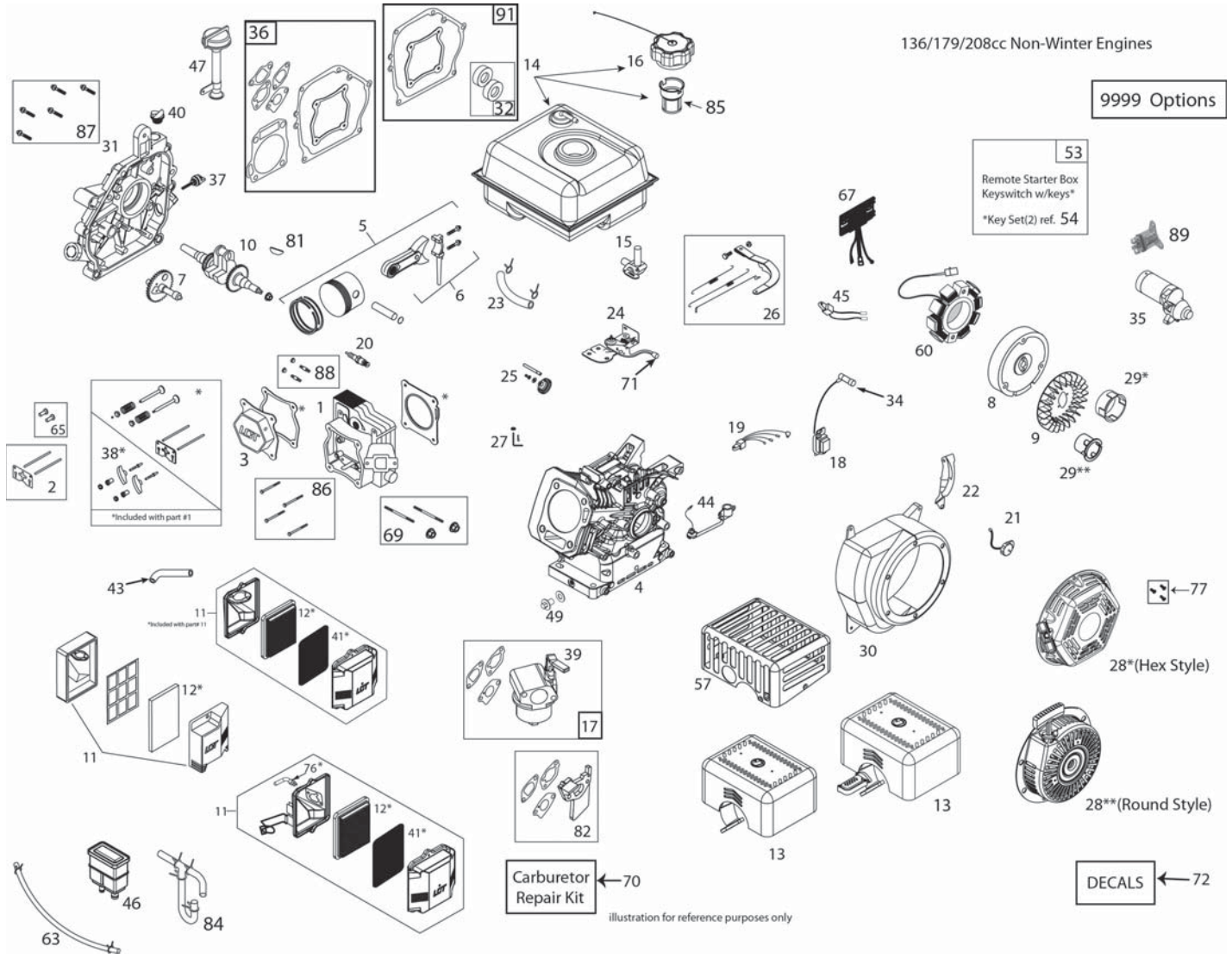
NOTE: All component dimensions given in U.S. inches.
 1 inch = 25.4 mm

HUSQVARNA REAR TINE TILLER - MODEL NO. TR317DE (MFG. ID. NO. 96093003101)
DECALS



KEY NO.	PART NO.	DESCRIPTION
2	587 92 10-01	Decal, Ethanol
5	532 11 06-14	Decal, Hand Placement
6	532 16 62-02	Decal, Shift Indicator
7	592 90 89-01	Decal, Reverse / Forward
9	532 17 67-82	Decal, Warning, Tine Shield
--	115 94 04-32	Manual, Operator's, English / French
--	115 94 04-46	Manual, Operator's, Spanish

HUSQVARNA REAR TINE TILLER - MODEL NO. TR317DE (MFG. ID. NO. 96093003101)
LCT ENGINE, MODEL NUMBER PLMHK14550124E **COMPLETE ENGINE: 590962602**



KEY NO.	PART NO.	DESCRIPTION	KEY NO.	PART NO.	DESCRIPTION
1	532 42 05-78	CYLINDER HEAD ASSEMBLY - 208CC (INCL. GASKET) EPA III	12	532 43 27-15	AIR FILTER ELEMENT (PLEATED PAPER W/PRE-FILTER) (136/208CC)
2	532 42 05-79	PUSH ROD & PLATE KIT (208CC) (INCL. VALVE COVER GSKT)	13	532 42 05-90	MUFFLER (50-STATE SILVER LOW TEMP)(PTO-SIDE)
3	532 42 05-80	VALVE COVER (208CC) (INCL. GASKET)	14	580 35 27-01	FUEL TANK (2.7L BLACK W/ STANT CAP)
5	532 42 05-82	PISTON & ROD ASSEMBLY (208CC) EPA III	15	532 42 95-97	FUEL TANK ON/OFF VALVE (1/4-INCH OUTLET)
7	532 42 05-84	CAMSHAFT - MCR (208CC) EPA III	16	580 35 28-01	FUEL TANK CAP (STANT W/ CHAIN NON-VENTED)
8	593 11 04-01	FLYWHEEL - ELECTRIC START (208CC) EPA III	17	593 10 98-01	CARBURETOR L33-2 (- W/GSKTS) EPA III
9	532 42 05-86	COOLING FAN - FLYWHEEL (PLASTIC - 208CC)	18	593 10 99-01	IGNITION COIL (STOP-IN-CONTROL) EPA III
10	580 35 25-01	CRANKSHAFT (#14 KEYED 208CC SUMMER)	20	532 44 38-98	SPARK PLUG
11	593 10 97-01	AIR FILTER ASSY			

HUSQVARNA REAR TINE TILLER - MODEL NO. TR317DE (MFG. ID. NO. 96093003101)
LCT ENGINE, MODEL NUMBER PLMHK14550124E COMPLETE ENGINE: 590962602

KEY NO.	PART NO.	DESCRIPTION	KEY NO.	PART NO.	DESCRIPTION
22	593 11 05-01	SHIELD - FLYWHEEL (ES) (EPA III)	41	532 44 37-75	POLY PRE-FILTER (USE WITH 'P' AIR CLEANER) (136/208CC)
23	532 43 21-44	FUEL HOSE KIT (1/4' ID X 318MM - SS SNOW)	43	580 35 34-01	BREATHER TUBE (136/208/254CC)
24	593 11 02-01	SPEED CONTROL - MANUAL (STOP-IN-CONTROL)	47	581 00 72-01	HIGH OIL FILL TUBE & DIP STICK
25	532 42 96-46	GOVERNOR GEAR ASSEMBLY (136/208CC)	49	532 43 54-95	OIL DRAIN PLUG W/WASHER (136/208/254CC)
26	532 42 06-01	GOVERNOR ARM & LINK KIT (208CC SUMMER - 2000 IDLE RPM)	65	581 37 28-01	TAPPET KIT (208/254CC)(SET OF 2)
27	532 42 06-02	GOVERNOR ARM PADDLE	70	580 35 36-01	CARBURETOR REPAIR KIT (136/208/254CC)
28	532 43 66-73	RECOIL STARTER ASSY(ROUND STYLE-BLACK)	71	580 35 35-01	SPEED CONTROL KNOB (RED)
29	593 11 03-01	STARTER CUP (USE WITH ROUND STYLE STARTER) EPA III DEEPER CUP	72	NA	MAXX SERIES DECAL KIT
30	593 11 06-01	BLOWER HOUSING - BLACK ELECTRIC START	77	532 43 26-88	RECOILBOLTKIT(3BOLTS PERKIT)
31	532 44 37-73	CRANKCASE COVER ASSY W/1 LOW OIL FILL PLUG	81	585 29 72-01	WOODRUFF FLYWHEEL KEYS (5-PACK) (5X6X18MM) (208/414CC)
32	532 42 95-99	OIL SEAL KIT (2 PCS FOR 3/4-INCH CRANKSHAFT)	82	585 02 05-03	208CC/254CC CARBURETOR SPACER KIT
34	532 42 92-46	SPARK PLUG BOOT	85	586 32 56-01	FUEL TANK STRAINER
35	593 11 07-01	120V ELECTRIC STARTER	86	586 32 73-01	CYLINDER HEAD BOLT KIT (4) (136-179-208-254CC)
36	532 42 96-01	ENGINE GASKET KIT (208CC)	87	586 32 69-01	CC COVER BOLT KIT (6) (179-208-254CC)
38	532 42 96-91	ROCKER ARM KIT (208CC) (INCL. GASKET)	88	586 32 68-01	MUFFLER MTG STUD KIT (2)
39	532 44 37-74	CHOKE LEVER (PLASTIC - 208CC)	91	587 52 57-01	CRANKSHAFT GASKET KIT 179-208CC
40	532 42 95-98	NON-REMOVABLE PLASTIC PLUG (136/208/254CC)	9999	586 32 60-01	HIGH ALTITUDE JET (>6,000 FEET)(208CC L33 CARBURETOR)
			9999	593 11 01-01	MUFFLER MANIFOLD SHIELD
			9999	590 89 84-01	STARTER SWITCH MOUNTING BRACKET