

**ILLUSTRATED PARTS LIST**

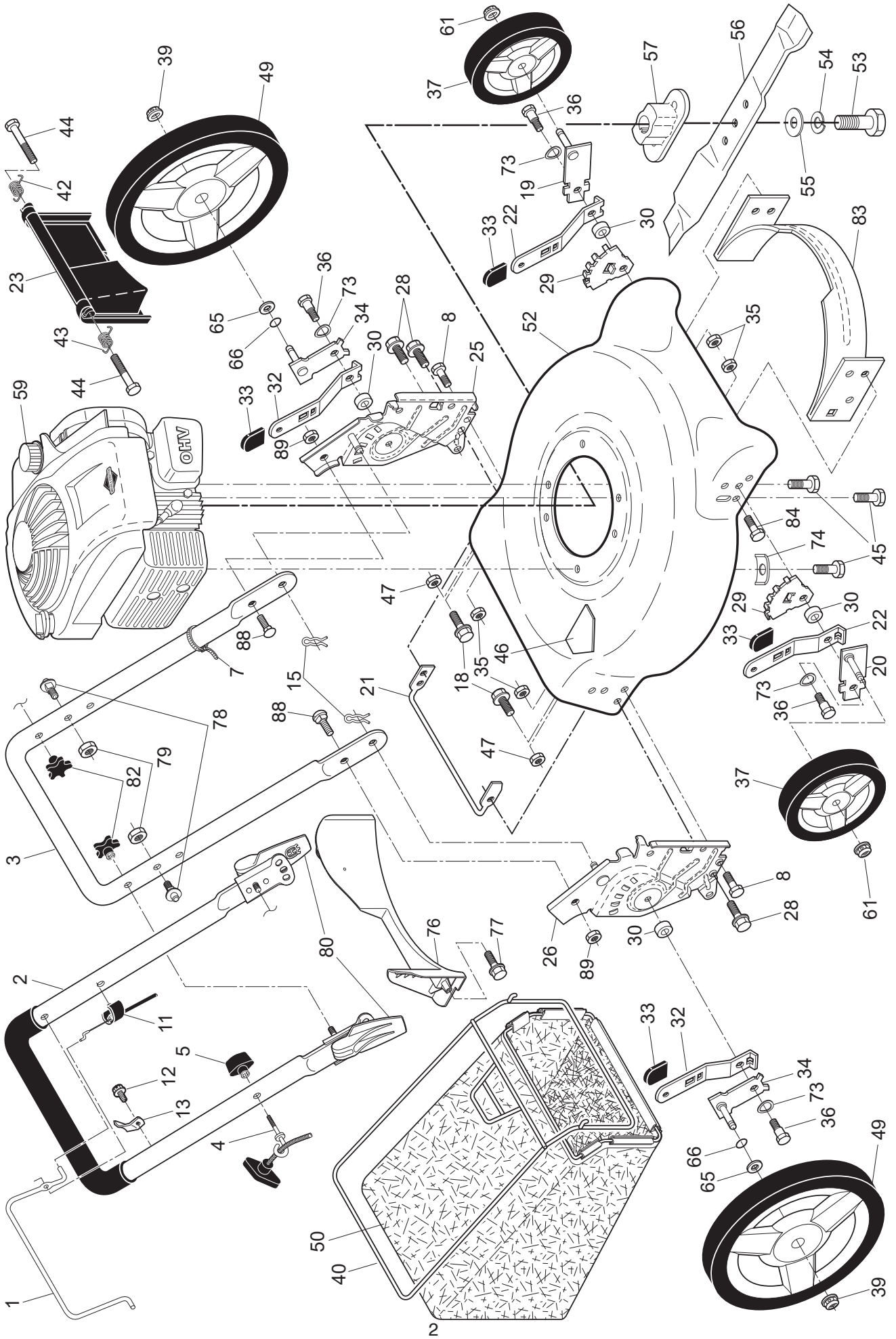
**BRAND: HUSQVARNA**

**ROTARY LAWN MOWER**

**MODEL NUMBER: LC 153**

**MFG. ID. NUMBER: 96131003703**

**HUSQVARNA ROTARY LAWN MOWER -- MODEL NUMBER LC 153 (MFG. ID. NUMBER 96131003703)**



# HUSQVARNA ROTARY LAWN MOWER - - MODEL NUMBER LC 153 (MFG. ID. NUMBER 96131003703)

KEY NO.	PART NO.	DESCRIPTION	KEY NO.	PART NO.	DESCRIPTION
1	532 42 68-12	Control Bar	47	532 75 11-53	Nut, Hex
2	583 84 86-03	Upper Handle Assembly (Includes Foam Grip and Quick Release Assembly)	49	588 26 86-02	Wheel & Tire Assembly, Rear 11 x 1-3/4 Grassbag
3	532 43 97-19	Lower Handle	50	581 00 21-04	Kit, Lawn Mower Housing (Includes Key Number 46)
4	581 90 21-01	Rope Guide	52	532 44 19-82	Hex Head Screw 3/8-24 x 1-3/8 Grade 8
5	581 91 26-01	T-Knob	53	532 85 10-84	Helical Lockwasher
7	532 06 64-26	Wire Tie	54	532 85 02-63	Hardened Washer
8	874 78 05-12	Hex Bolt 5/16-18 x 3/4	55	532 85 10-74	21" Blade
11	532 41 53-50	Engine Zone Control Cable	56	532 19 93-77	Blade Adapter
12	532 17 88-48	Hex Washer Head Screw #10-16 x 5/8	57	581 54 79-01	Engine, Briggs & Stratton, Model Number 93J02-0090-H1 (Order parts from B&S)
13	532 43 00-34	Up-Stop Bracket	59	---	
15	532 05 17-93	Hairpin Cotter	61	532 40 91-48	Nut, Hex, Flangelock
18	817 60 04-06	Screw 1/4-20 x 3/8	65	532 08 83-48	Washer, Flat
19	532 40 66-89	Axle Arm Assembly, Front, LH	66	532 19 74-80	O-Ring
20	532 40 66-90	Axle Arm Assembly, Front, RH	73	532 40 16-30	Washer, Curved
21	532 43 61-19	Footguard	74	532 12 50-78	Washer, Engine
22	532 40 64-28	Selector Spring, Front	76	589 41 68-04	Baffle, Rear
23	581 42 56-01	Rear Door Assembly	77	817 41 13-12	Screw, Rear Baffle
25	588 91 24-06	Handle Bracket Assembly, LH	78	532 19 92-55	Stud
26	588 91 24-03	Handle Bracket Assembly, RH	79	532 75 11-53	Nut, Hex
28	817 06 04-10	Screw	80	532 43 06-79	Quick-Release Assembly
29	532 41 05-94	Wheel Adjusting Bracket, Front	82	532 18 23-98	Knob, Handle, Star
30	532 40 16-29	Spacer	83	532 42 85-01	Baffle, Front
32	532 44 15-59	Spring, Selector, Rear	84	817 00 05-10	Screw, Hex Head 5/16-18
33	532 70 10-37	Selector Knob	88	586 21 25-01	Bolt, Carriage
34	588 91 26-02	Axle Arm Assembly, Rear	89	873 97 05-00	Locknut
35	532 42 65-89	Locknut, Hex 5/16-18	--	581 00 67-04	Bag of Parts (Includes Key Numbers 78 and 79)
36	532 40 16-38	Shoulder Bolt 5/16-18	--	581 27 63-01	Bag of Parts (Includes Key Numbers 88 and 89)
37	532 41 31-83	Wheel & Tire Assembly, Front 8 x 1-3/4	--	532 18 21-91	Warning Decal (not shown)
39	532 40 91-49	Nut, Hex, Flangelock	--	115 72 80-20	Operator's Manual, European
40	532 41 19-49	Frame, Grassbag	--	115 72 80-10	Operator's Manual, Scandinavian
42	532 40 54-21	Spring, Rear Door, LH	--	115 72 80-50	Operator's Manual, East Bloc
43	532 40 54-23	Spring, Rear Door, RH	--	115 72 80-40	Operator's Manual, Baltic
44	532 18 41-93	Bolt, Rear Door	--	115 72 80-53	Operator's Manual, Ukranian / Turkish
45	532 15 04-06	Hex Head Thread Rolling Screw 3/8-16 x 1			
46	532 18 21-66	Danger Decal			

**NOTE:** All component dimensions given in U.S. inches. 1 inch = 25.4 mm. **IMPORTANT:** Use only Original Equipment Manufacturer (O.E.M.) replacement parts. Failure to do so could be hazardous, damage your lawn mower and void your warranty.