

**ILLUSTRATED PARTS LIST**

**BRAND: HUSQVARNA**

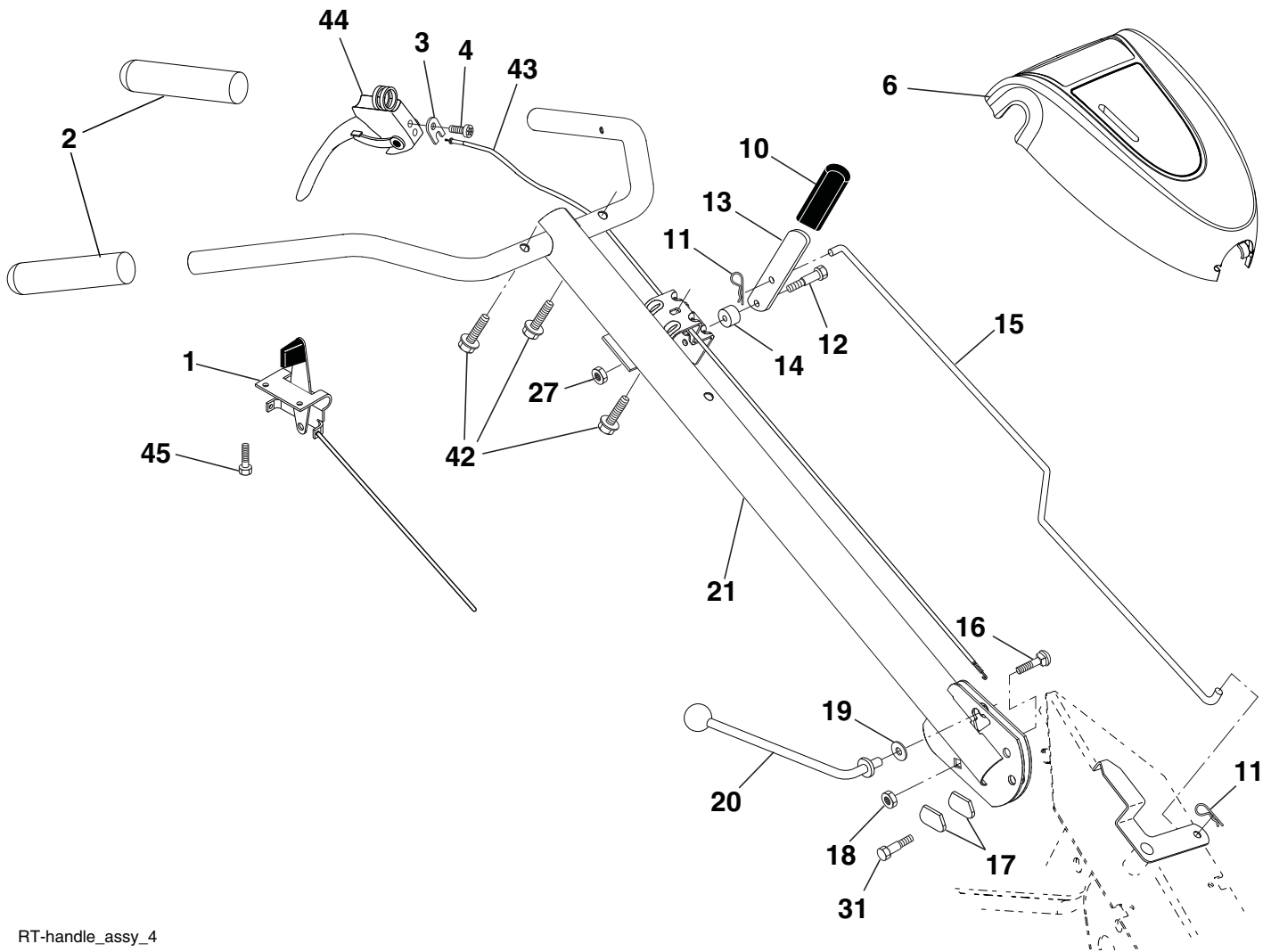
**REAR TINE TILLER**

**MODEL NUMBER: TR430**

**MFG. ID. NUMBER: 96091003200**

# HUSQVARNA REAR TINE TILLER - MODEL NO. TR430 (MFG. ID. NO. 96091003200)

## HANDLE ASSEMBLY



RT-handle\_assy\_4

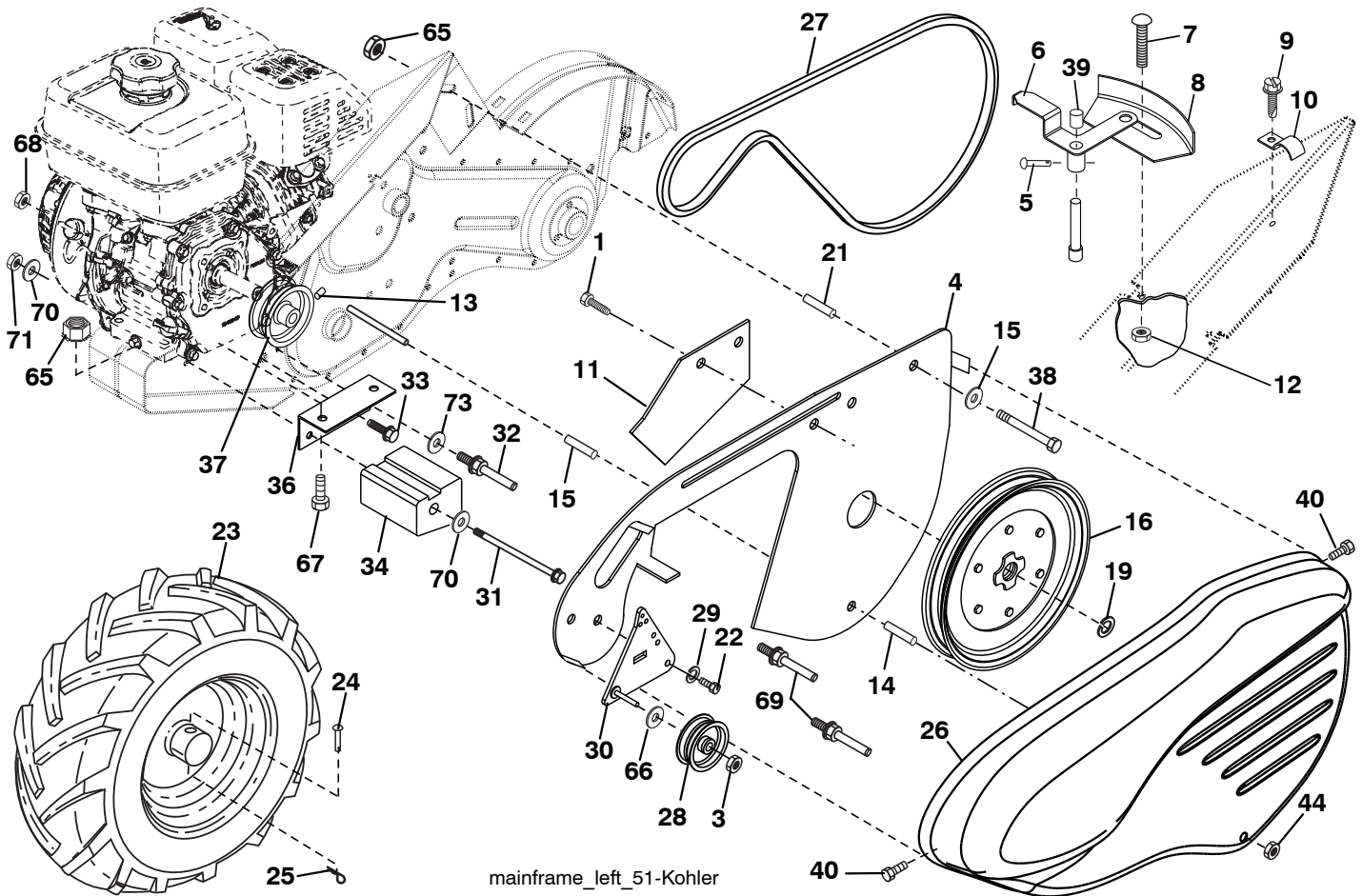
KEY NO.	PART NO.	DESCRIPTION
1	592 92 83-01	Control, Throttle
2	532 42 76-43	Grip, Handle
3	589 28 41-02	Clip, Retainer
4	818 10 10-08	Screw, Torx
6	501 85 71-12	Panel, Control
10	532 12 47-97	Grip, Handle
11	532 12 47-88	Retainer, Spring
12	532 08 13-28	Bolt, Shoulder
13	581 96 06-01	Handle, Shift
14	532 10 93-13	Grommet, Rubber
15	501 72 13-01	Rod, Shift
16	872 11 06-08	Bolt, Carriage, Grade 5, 3/8-16 x 1
17	532 10 92-29	Lock, Handle
18	873 68 06-00	Nut, Crownlock, 3/8-16 UNC
19	819 13 16-11	Washer, 13/32 x 1 x 11 Gauge

KEY NO.	PART NO.	DESCRIPTION
20	532 10 92-28	Lever, Lock, Handle
21	532 44 61-56	Handle
27	873 90 04-00	Nut, Hex, Flanged, 1/4-20 UNC
31	532 15 06-96	Bolt, Pivot
42	532 41 63-58	Screw, BOS Thread, #10 x 3/4
43	588 16 70-02	Cable, Handle, Tine Control
44	532 43 87-82	Control, Handle, Two Function
45	532 42 17-56	Screw, BOS Thread, #10 x 1/2
--	581 64 02-02	Bag of Parts (Includes key#'s 11, 16-20, 31)

**NOTE:** All component dimensions given in U.S. inches.  
1 inch = 25.4 mm

# HUSQVARNA REAR TINE TILLER - MODEL NO. TR430 (MFG. ID. NO. 96091003200)

## MAINFRAME, LEFT SIDE



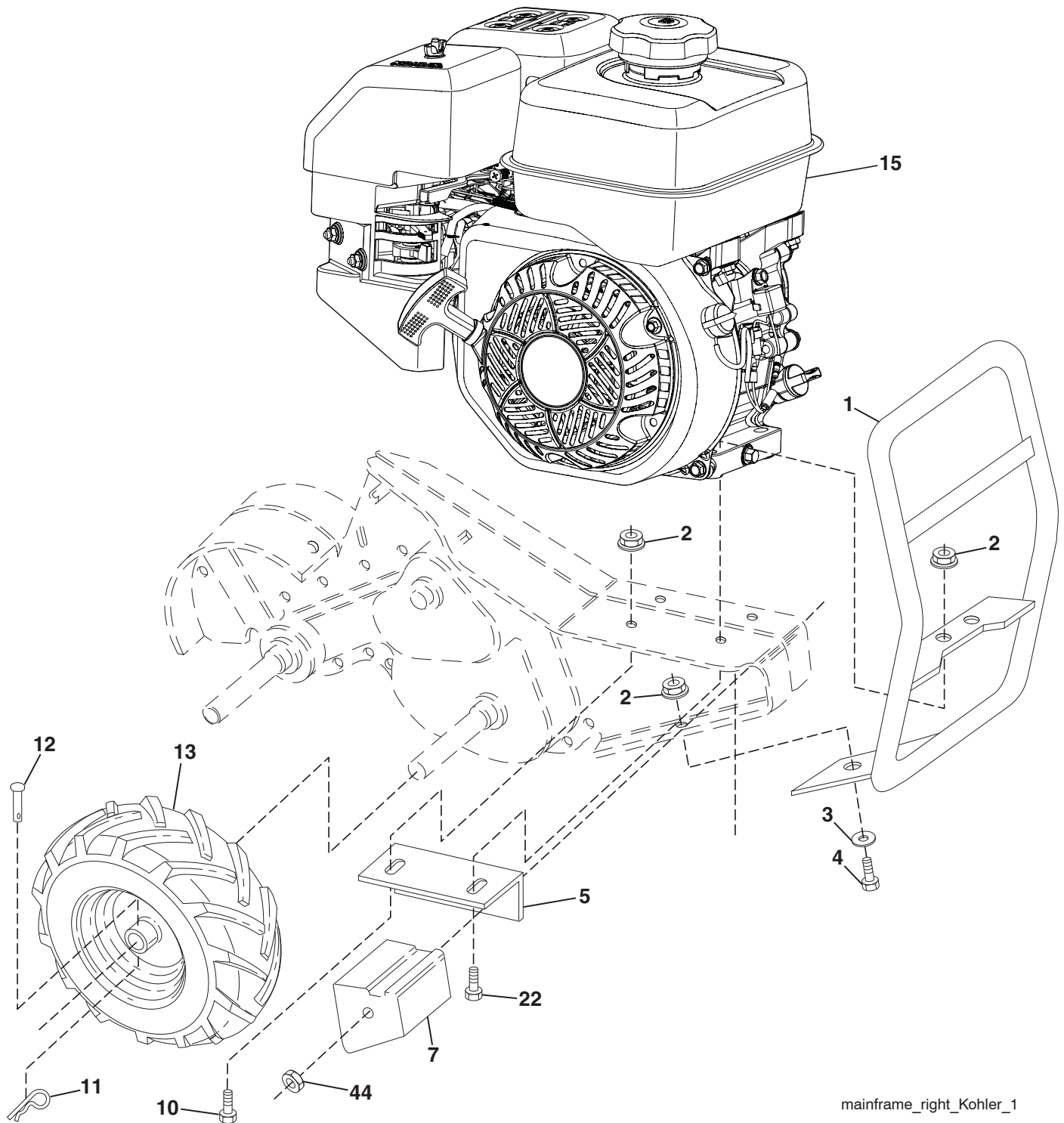
mainframe\_left\_51-Kohler

KEY NO.	PART NO.	DESCRIPTION
1	532 18 92-41	Screw
3	873 93 06-00	Nut, Centerlock, 3/8-16 UNC
4	583 87 77-01	Shield, Inner, Belt Guard, R.H.
5	532 16 43-29	Pin, Shift Lever
6	532 11 01-11	Lever, Shift
7	872 11 04-04	Bolt, Carriage, Grade 5, 1/4-20 x 1/2
8	581 84 50-01	Plate, Shift Indicator
9	532 08 67-77	Screw, Hex Washer Head, Slotted, #10-24 x 1/2
10	532 00 94-84	Clip
11	587 83 61-01	Guard
12	873 51 04-00	Nut, Hex, Keps, 1/4-20 UNC
13	823 23 05-06	Screw, Set, Hex, 5/16-18 x 3/8
14	532 15 61-17	Spacer, Split, 0.327 x 0.42 x 1.220
15	585 8312-01	Bracket
16	532 14 51-02	Sheave, Transmission
19	812 00 00-28	Ring, Retainer
21	585 83 08-01	Spacer
22	874 77 05-08	Bolt, Hex Head, 5/16-24 x 1/2
23	581 57 64-02	Wheel & Tire Assembly
24	532 17 12-71	Rivet, Drilled
25	532 12 47-88	Clip, Hairpin
26	532 44 04-38	Guard, Belt
27	532 13 28-01	Belt, V
28	532 10 46-79	Pulley, Idler

KEY NO.	PART NO.	DESCRIPTION
29	812 00 00-32	Ring, Klip
30	584 28 92-01	Bracket, Idler
31	581 74 72-01	Bolt, Hex Head, 5/16-16 x 12
32	532 10 21-41	Shaft, Idler Arm
33	874 76 06-16	Bolt, Hex Head, 3/8-16 x 1
34	581 01 06-01	Counterweight, L.H.
36	581 86 48-01	Bracket, Reinforcement, L.H.
37	582 03 20-01	Sheave, Engine
38	874 76 05-44	Bolt, Hex Head, 5/16-18 x 2-3/4
39	532 14 00-62	Cap, Plunger
40	532 17 04-88	Screw, Hex Washer Head, #8-18 x 1/2
44	873 80 05-00	Locknut, Hex, with Washer Insert, 5/16-18 UNC
65	873 97 05-00	Locknut, Hex, Flanged
66	819 13 13-16	Washer, Flat
67	874 76 05-28	Bolt, Hex Head, 18 x 1-3/4
68	873 51 06-00	Nut, Hex, Keps, 3/8-16 UNC
69	532 16 41-73	Keeper, Belt, Engine
70	819 13 20-12	Washer, Flat
71	873 68 06-00	Nut, Hex
73	819 13 13-12	Washer, 13/32 x 13/16 x 12 Gauge

**NOTE:** All component dimensions given in U.S. inches.  
1 inch = 25.4 mm

**HUSQVARNA REAR TINE TILLER - MODEL NO. TR430 (MFG. ID. NO. 96091003200)**  
**MAINFRAME, RIGHT SIDE**



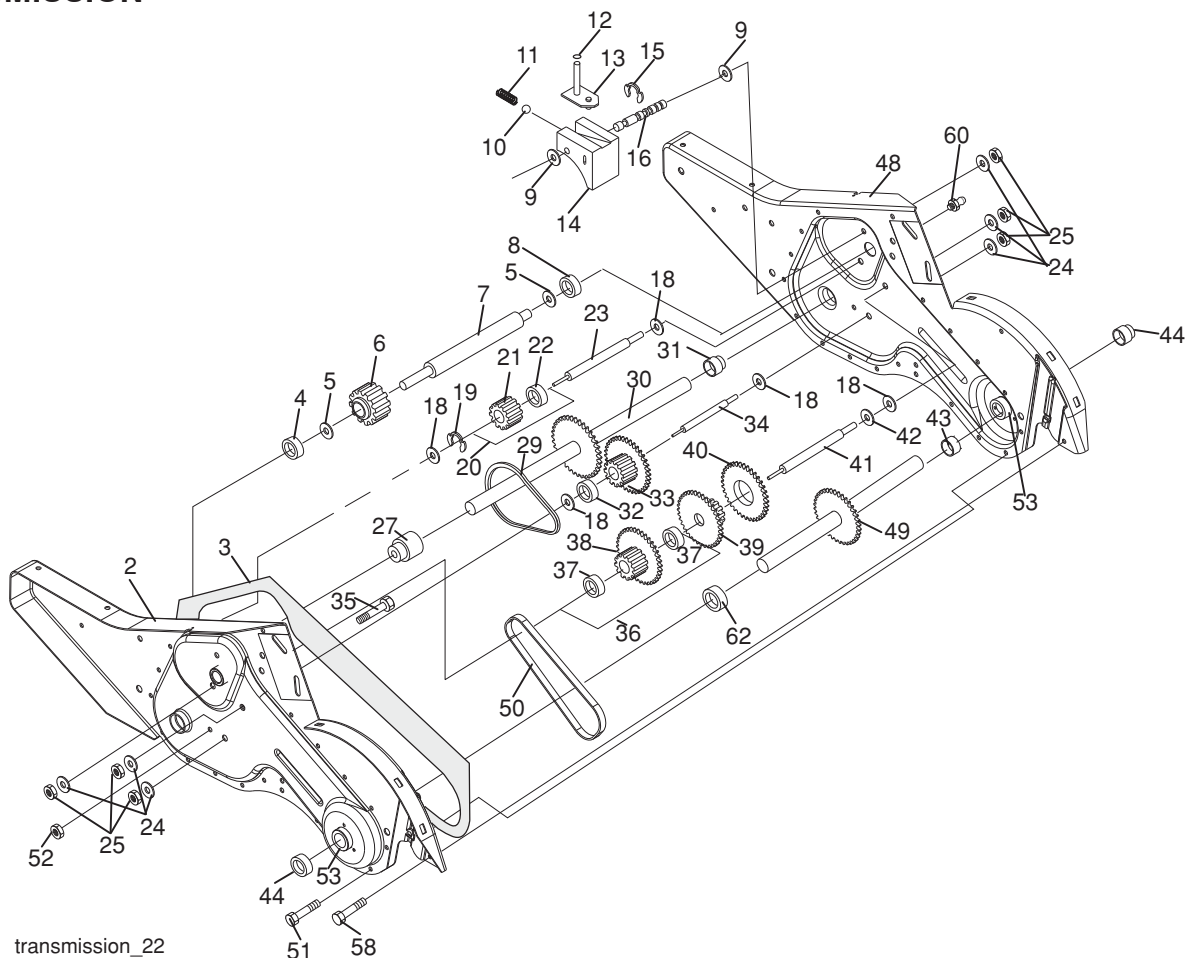
KEY NO.	PART NO.	DESCRIPTION
1	583 87 93-01	Bumper
2	873 97 05-00	Locknut, Hex, Flanged
3	819 11 11-16	Washer, 11/32 x 11/16 x 16 Gauge
4	874 76 05-12	Bolt, Hex Head, 5/16-18 x 3/4
5	581 86 47-01	Bracket, Reinforcement
7	581 01 04-01	Counter Weight, R.H.
10	874 76 05-24	Bolt, Hex Head, 5/16-18 x 1-1/2
11	532 12 47-88	Clip, Hairpin
12	532 17 12-71	Rivet, Drilled

KEY NO.	PART NO.	DESCRIPTION
13	581 57 64-01	Wheel & Tire Assembly
15	---	Engine, Kohler (SH265) (For engine service and replacement parts, call Kohler at 1-800-544-2444)
22	874 76 05-28	Bolt, Hex Head, 5/16-18 x 1-3/4
44	873 68 06-00	Nut, Hex, Keps, 3/8-16 UNC

**NOTE:** All component dimensions given in U.S. inches.  
 1 inch = 25.4 mm

# HUSQVARNA REAR TINE TILLER - MODEL NO. TR430 (MFG. ID. NO. 96091003200)

## TRANSMISSION



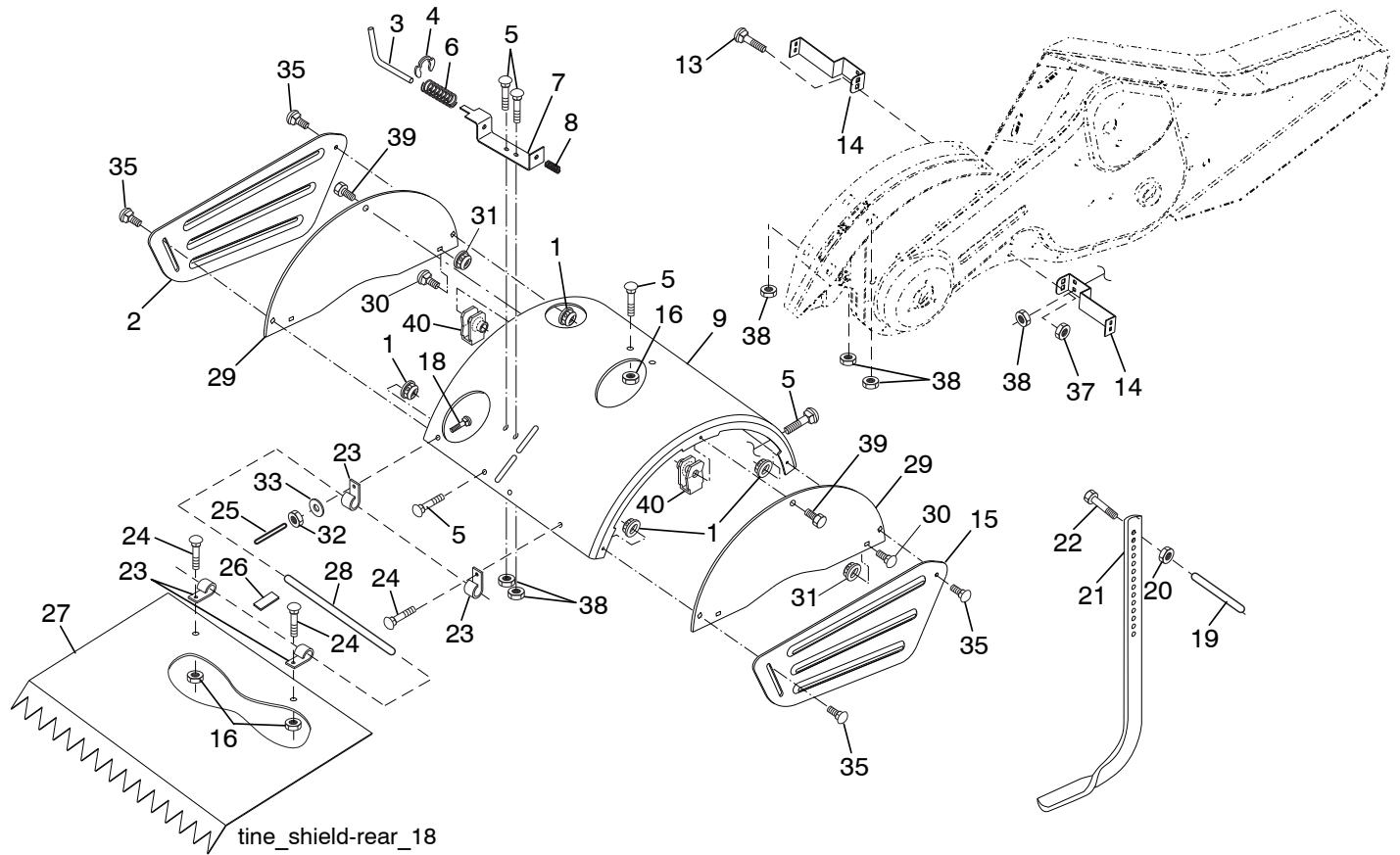
transmission\_22

KEY NO.	PART NO.	DESCRIPTION	KEY NO.	PART NO.	DESCRIPTION
1	532 18 10-98	Transmission Assembly (Includes Key Numbers 2-53)	30	532 15 07-37	Ground Shaft Assembly
2	532 18 84-82	Gear Case, L.H., with Bearing (Includes Key Number 4)	31	532 14 30-08	Bearing, Shaft, Ground Drive, R.H.
3	501 60 63-01	Gasket, Gearcase	32	532 10 63-88	Spacer, 0.70 x 1.00 x 1.150
4	585 69 55-02	Bearing, Needle	33	532 10 21-21	Sprocket and Gear Assembly
5	532 00 13-70	Washer, Thrust, 5/8 x 1.10 x 1/32	34	532 10 21-12	Shaft, Reduction (2nd)
6	586 19 63-01	Pinion, Input	35	532 10 21-01	Screw, WhizLock, 5/16-18 x 3-1/2
7	532 14 51-01	Shaft, Input	36	532 15 43-55	Sprocket Assembly, with Bearing (Includes Key Numbers 37 and 38)
8	532 12 47-92	Bearing, Needle	37	532 12 47-92	Bearing, Needle
9	532 15 44-67	Washer, Seal	38	532 15 43-56	Sprocket, Tine
10	532 12 46-97	Ball, Steel	39	532 10 53-45	Gear, Cluster, Red, 1st & 2nd
11	532 10 03-71	Spring, Shift, Fork	40	532 10 53-46	Gear, Reverse
12	532 10 61-60	O-Ring	41	532 00 83-58	Shaft, Reduction (1st)
13	532 14 21-45	Arm, Shift	42	532 00 42-20	Washer, Thrust
14	532 00 83-53	Fork, Shift	43	532 10 61-46	Spacer, 1.01 x 1.75 x 0.760
15	812 00 00-39	Ring, Klip	44	532 15 52-36	Seal Assembly, Oil
16	532 15 44-66	Shaft, Shift	48	532 18 84-85	Gear Case, R.H. with Bearing (Includes Key Number 8)
18	532 00 43-58	Washer	49	532 43 14-85	Shaft, Tine
19	812 00 00-40	Ring, Klip	50	532 10 61-47	Chain, Roller, #50-50 Pitch
20	532 10 21-14	Gear Assembly, Reverse Idler (Includes Key Numbers 21 and 22)	51	817 06 04-08	Screw, 1/4-20 x 1/2
21	532 10 21-15	Gear, Reverse Idler	52	873 22 05-00	Nut, Hex, 5/16-18
22	532 00 68-03	Bearing, Needle	53	532 16 51-40	Kit, Bearing
23	532 10 21-11	Shaft, Reverse Idler	58	532 17 95-20	Bolt, Shoulder, 1/4-20 UNC x 7/8
24	810 04 07-00	Washer, Lock, 7/16	60	532 18 32-26	Fitting, Grease
25	873 61 07-00	Nut, Hex, 7/16-20	62	532 43 10-15	Spacer
27	532 43 12-19	Bearing, Shaft, Ground Drive, L.H.			
29	532 10 21-34	Chain, #35-50 Pitch			

**NOTE:** All component dimensions given in U.S. inches  
1 inch = 25.4 mm

# HUSQVARNA REAR TINE TILLER - MODEL NO. TR430 (MFG. ID. NO. 96091003200)

## TINE SHIELD

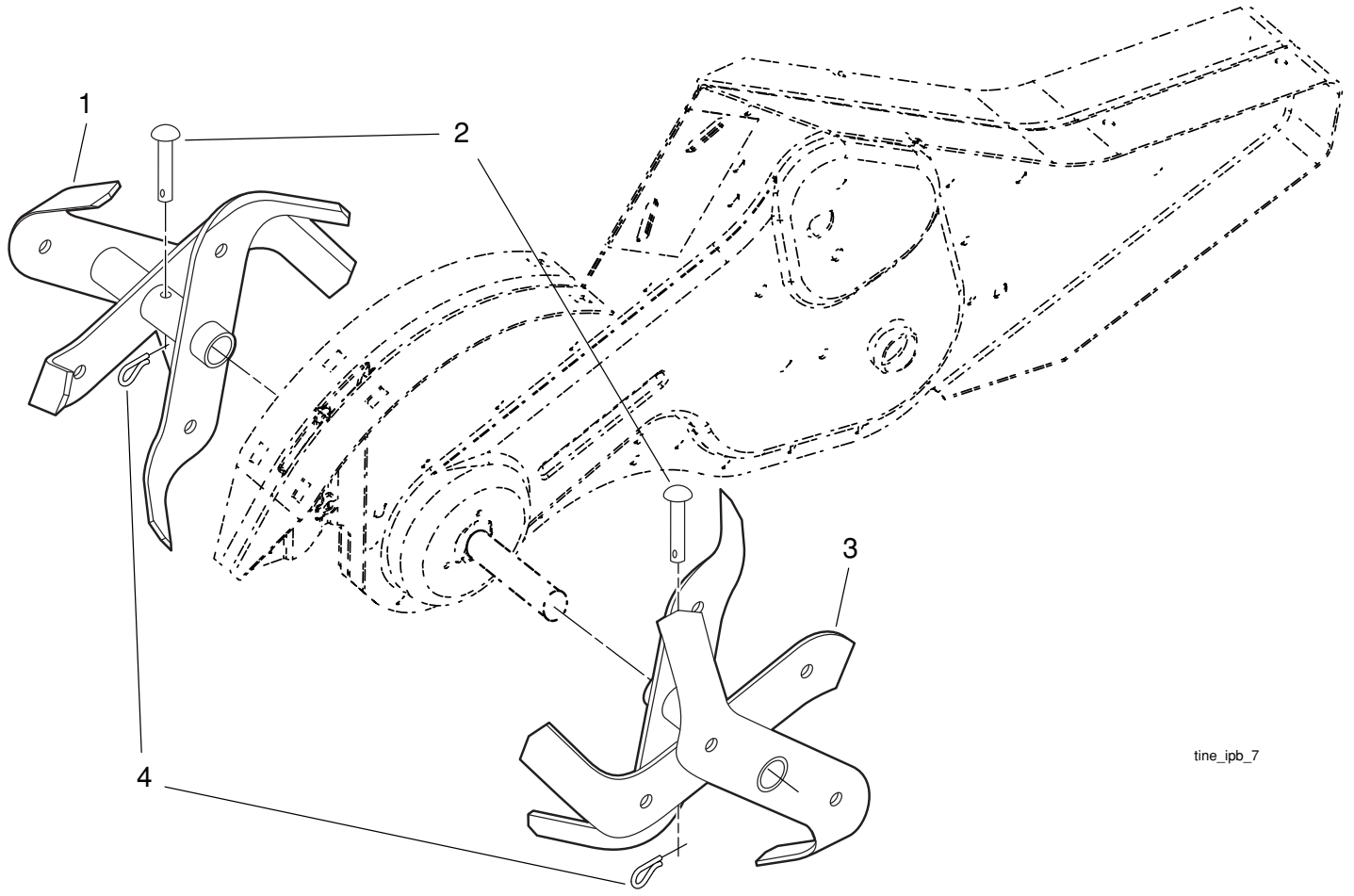


KEY NO.	PART NO.	DESCRIPTION
1	532 15 53-77	Locknut, Hex, Flanged, 5/16-18
2	532 44 04-52	Shield, Side, Outer, L.H.
3	532 00 83-93	Pin, Stake, Depth
4	812 00 00-35	Ring, Klip
5	532 18 08-47	Bolt, Carriage, 5/16-18 x 3/4
6	532 00 83-94	Spring
7	581 85 08-01	Bracket, Latch
8	532 10 92-30	Spring, Depth Stake
9	532 44 62-01	Shield, Tine
13	872 11 05-10	Bolt, Carriage, 5/16-18 x 1-1/4
14	581 81 35-01	Bracket, Shield, Tine
15	532 44 04-50	Shield, Side, Outer, R.H.
16	873 90 04-00	Nut, Hex, Flanged, 1/4-20 UNC
18	872 04 04-10	Bolt, Carriage, Grade 5, 1/4-20 x 1-1/4
19	532 10 27-01	Grip
20	873 22 06-00	Nut, Hex, 3/8-16
21	532 12 50-00	Stake, Depth
22	874 93 06-32	Bolt, Hex Head, 3/8-16 x 2
23	532 00 44-40	Hinge

KEY NO.	PART NO.	DESCRIPTION
24	872 14 04-04	Bolt, Carriage, 1/4-20 x 1/2
25	532 12 47-17	Cap, Vinyl
26	532 10 92-27	Pad, Idler
27	532 44 04-48	Shield, Leveling
28	532 12 05-88	Pin, Hinge
29	581 81 27-06	Shield, Side
30	532 18 03-55	Bolt
31	873 97 05-00	Nut
32	873 22 04-00	Nut, Hex, 1/4-20 UNC
33	810 04 04-00	Washer, Lock, Heavy Helical, 1/4
35	872 11 05-05	Bolt, 5/16-18 x 5/8
37	873 97 05-00	Nut, Hex, 5/16-18
38	873 51 05-00	Nut, Hex, Keps, 5/16-18 UNC
39	532 42 88-67	Bolt
40	532 18 11-56	Nut, Hex

**NOTE:** All component dimensions given in U.S. inches.  
1 inch = 25.4 mm

**HUSQVARNA REAR TINE TILLER - MODEL NO. TR430 (MFG. ID. NO. 96091003200)**  
**TINE ASSEMBLY**

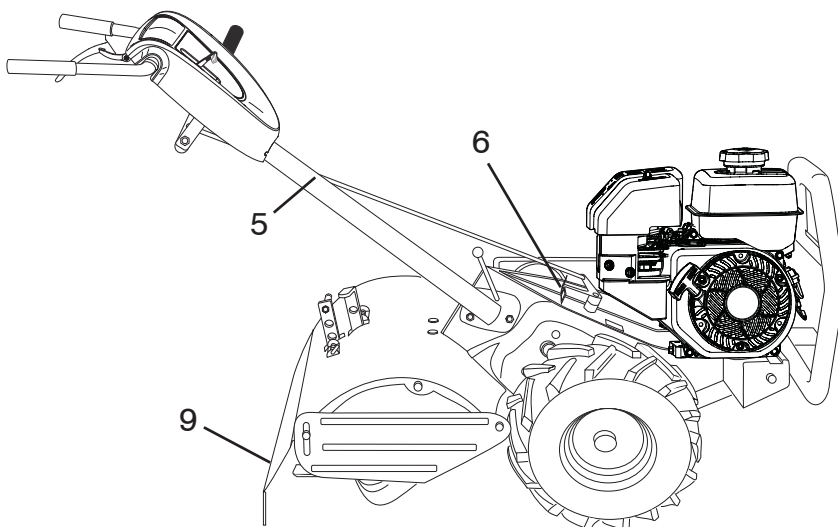
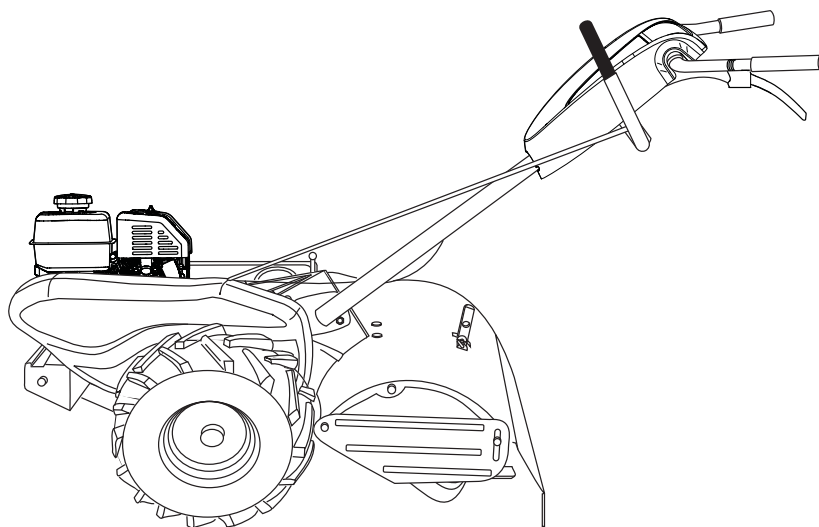


tine\_ipb\_7

KEY NO.	PART NO.	DESCRIPTION
1	584 14 51-02	Tine Assembly, L.H.
2	532 13 26-73	Clevis Pin
3	583 95 05-02	Tine Assembly, R.H.
4	532 12 46-60	Retainer Spring, Zinc-Plated

**NOTE:** All component dimensions given in U.S. inches.  
 1 inch = 25.4 mm

**HUSQVARNA REAR TINE TILLER - MODEL NO. TR430 (MFG. ID. NO. 96091003200)**  
**DECALS**



KEY NO.	PART NO.	DESCRIPTION
5	532 15 98-77	Decal, Hand Placement
6	532 10 21-80	Decal, Shift Indicator
9	532 17 65-57	Decal, Warning, 4-Symbol
--	115 96 05-20	Manual, Operator's, European
--	115 96 05-10	Manual, Operator's, Scandinavian
--	115 96 05-50	Manual, Operator's, E-Bloc
--	115 96 05-40	Manual, Operator's, Baltic
--	115 96 05-53	Manual, Operator's, Ukraine/Turkish