

ILLUSTRATED PARTS LIST

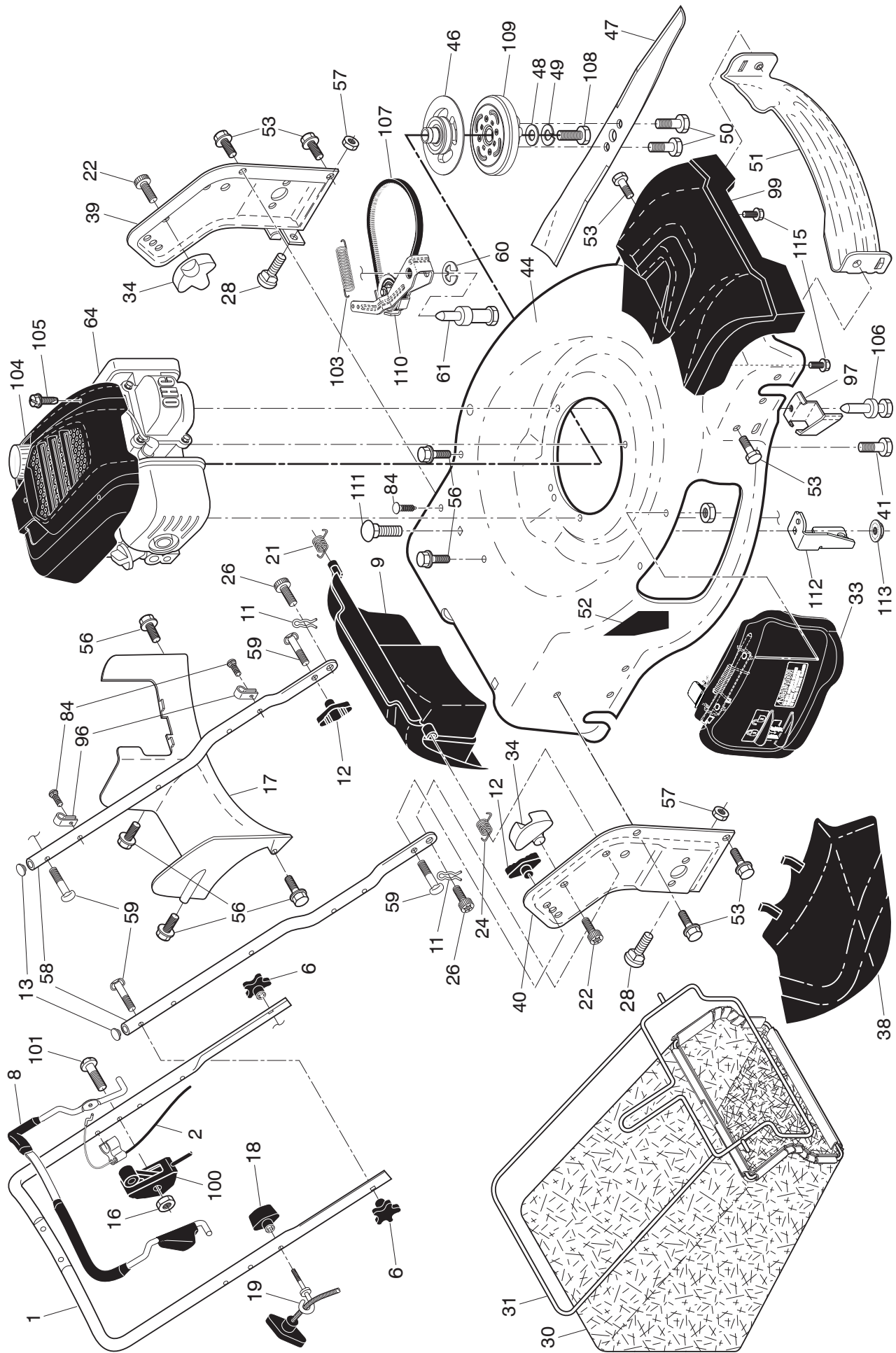


ROTARY LAWN MOWER

MODEL NUMBER: LC 356VB

MFG. ID. NUMBER: 96141028804

HUSQVARNA ROTARY LAWN MOWER -- MODEL NUMBER LC 356VB (MFG. ID. NUMBER 96141028804)

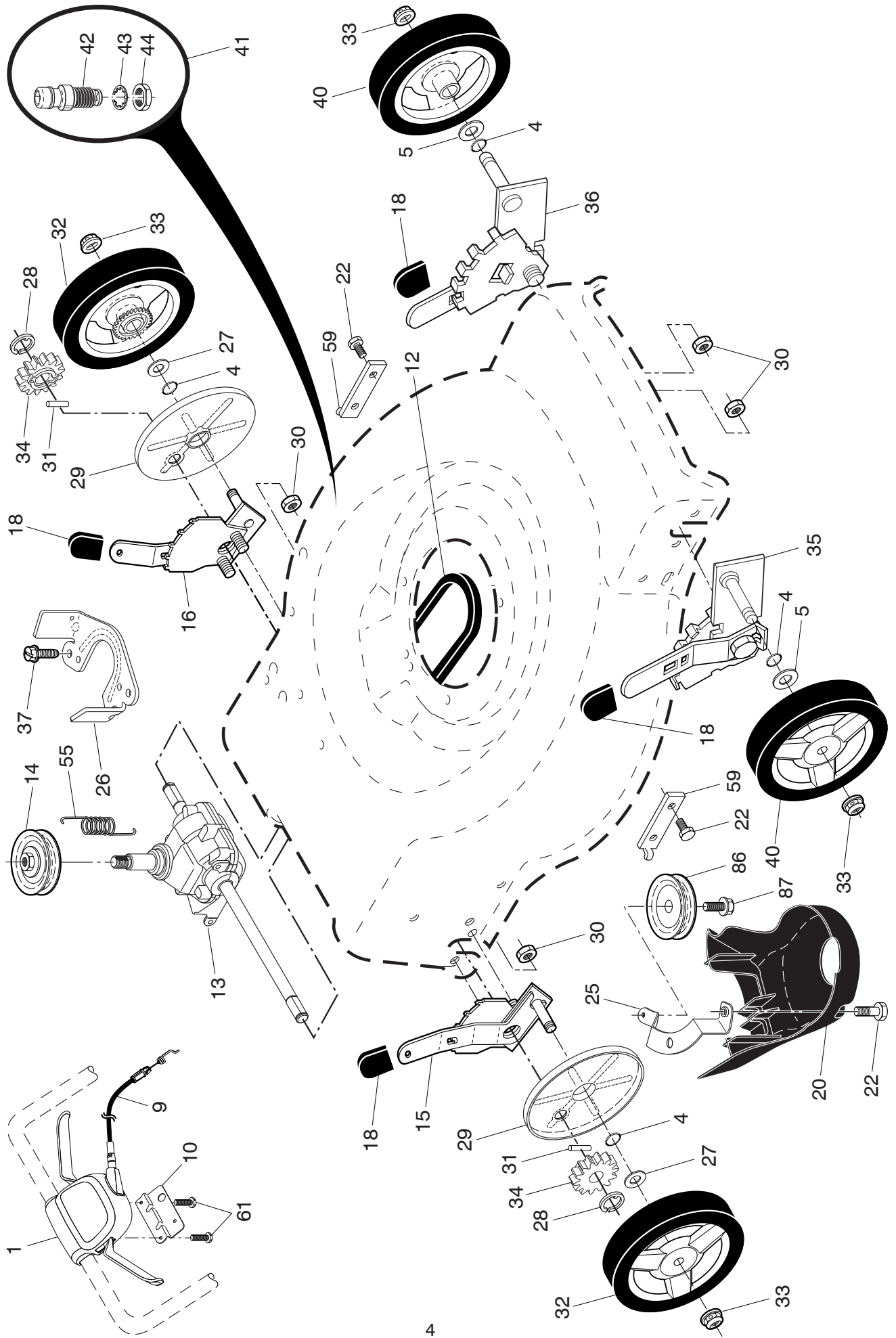


HUSQVARNA ROTARY LAWN MOWER - - MODEL NUMBER LC 356VB (MFG. ID. NUMBER 96141028804)

KEY NO.	PART NO.	DESCRIPTION	KEY NO.	PART NO.	DESCRIPTION
1	585 85 48-06	Upper Handle	53	817 00 05-10	Screw
2	579 48 42-02	Cable, Blade Brake / Clutch Control	56	817 41 13-12	Screw, Hex Washer Head #13 x 3/4
6	532 18 23-98	Handle Knob, Star	57	532 15 53-77	Nut, Hex
8	587 56 41-09	Control Bar Assembly (Includes Blade Control Lever, Roll Pin and Spring)	58	585 90 82-03	Bar, Lower Handle
9	532 43 13-91	Rear Door Assembly	59	532 19 15-74	Handle Bolt
11	532 42 55-75	Hairpin, Door/Handle Pivot	60	579 48 28-01	E-Ring
12	532 19 19-38	Handle Knob, Standard	61	581 42 45-01	Bolt, Pivot, Tension Arm
13	532 43 75-16	Pug, Handle Bar	64	- - -	Engine, Honda, Model Number GCV160-AOSBHE (order parts from Honda Engines)
16	532 13 20-04	Nut, Hex	84	532 42 81-24	Fastener, Push
17	581 78 21-01	Rear Baffle	96	532 19 79-91	Clip, Cable
18	581 91 26-01	T-Knob	97	581 11 53-02	Belt Keeper
19	581 90 21-01	Rope Guide	99	585 66 87-02	Cover, Drive
21	532 41 99-49	Spring, Rear Door, LH, Black	100	532 43 94-68	Control, Throttle/Engine
22	532 14 18-41	Screw, Panhead, Torx #20	101	532 18 33-65	Screw
24	532 41 99-48	Spring, Rear Door, RH, Grey	103	581 53 07-01	Spring, Brake Reset
26	532 41 99-45	Screw, Rear Door/Handle Pivot	104	580 29 00-01	Shroud, Engine
28	586 21 25-01	Bolt, Carriage 5/16-18 x 5/8	105	580 76 87-01	Mounting Screw, Engine Shroud
30	580 94 34-05	Grassbag	106	579 14 69-01	Bolt, Brake Reset Spring
31	585 05 47-02	Frame, Grass Catcher	107	579 27 32-01	Belt, Blade Brake/Clutch
33	593 24 11-02	Mulcher Door Asm.	108	532 85 10-84	Bolt, Blade Brake/Clutch
34	532 43 81-34	Bracket, Grassbag	109	581 30 81-01	Free Hub/Blade Adapter
38	532 42 61-29	Discharge Deflector	110	581 35 45-01	Tension Arm Assembly, Blade Brake/Clutch
39	585 90 07-03	Handle Bracket, LH	111	872 14 04-05	Bolt, Carriage 1/4-20
40	585 90 08-03	Handle Bracket, RH	112	579 47 18-02	Bracket, Mounting, Blade Brake/Clutch Cable
41	532 15 04-06	Screw, Dogpoint 3/8-16 x 1-1/8	113	532 43 81-30	Nut, Hex, Flanged 1/4-20
44	581 70 83-28	Kit, Lawn Mower Housing	115	584 29 94-01	Screw
46	581 27 74-01	Blade Brake/Clutch Assembly	- -	532 42 38-49	Bag of Parts (Includes Key Numbers 12 and 59)
47	581 04 52-01	Blade, 22"	- -	115 96 53-20	Operator's Manual, European
48	579 27 38-01	Washer, Flat	- -	115 96 53-10	Operator's Manual, Scandinavian
49	532 85 02-63	Washer, Lock	- -	115 96 53-50	Operator's Manual, East Bloc
50	532 18 04-60	Bolt, Hex Head, Grade 8	- -	115 96 53-40	Operator's Manual, Baltic
51	532 43 05-99	Front Baffle	- -	115 96 53-53	Operator's Manual, Turkish / Ukrainian
52	532 18 21-66	Decal, Danger			

NOTE: All component dimensions given in U.S. inches. 1 inch = 25.4 mm. **IMPORTANT:** Use only Original Equipment Manufacturer (O.E.M.) replacement parts. Failure to do so could be hazardous, damage your lawn mower and void your warranty.

HUSQVARNA ROTARY LAWN MOWER -- MODEL NUMBER LC 356VB (MFG. ID. NUMBER 96141028804)



HUSQVARNA ROTARY LAWN MOWER - - MODEL NUMBER LC 356VB (MFG. ID. NUMBER 96141028804)

KEY NO.	PART NO.	DESCRIPTION	KEY NO.	PART NO.	DESCRIPTION
1	501 40 81-03	Drive Control Assembly	29	581 84 04-01	Cover, Dust, Wheel
4	532 19 74-80	(Includes Cable)	30	532 19 17-30	Nut, Hex 5/16-18
5	532 08 83-48	O-Ring	31	532 40 48-45	Pawl, Drive
9	581 95 21-01	Washer, Flat	32	581 68 51-01	Wheel & Tire Assembly, Rear
10	587 24 93-02	Cable, Drive	33	532 40 91-48	Nut, Flangelock 3/8-16
12	580 36 46-04	Mounting Bracket, Drive Control	34	532 40 48-35	Pinion
13	581 68 08-01	Belt, Drive	35	532 43 78-72	Kit, Wheel Adjuster, Front, RH
14	586 96 30-01	Gear Case Assembly, Complete	36	532 43 78-71	Kit, Wheel Adjuster, Front, LH
15	581 49 79-06	Pulley, Drive	37	532 16 34-09	Screw, Hi-Lo Thread
16	581 49 79-05	Wheel Adjuster, Rear, RH	40	532 41 08-31	Wheel & Tire Assembly, Front
18	532 70 10-37	Wheel Adjuster, Rear, LH	41	532 43 84-89	Kit, Water Washout Assembly
20	580 80 69-01	Selector Knob	42	532 43 49-94	Fitting, Water Washout
22	817 00 05-10	Debris Shield	43	532 41 55-85	Washer, Lock, Internal Tooth
25	581 31 38-02	Bolt, Hex Head	44	532 41 55-86	Locknut, Hex, with O-Ring
26	589 31 83-02	Mounting Bracket, Debris Shield	55	581 35 13-01	Spring, Return
27	532 06 77-25	Belt Keeper	59	532 44 21-13	Support Bracket, Rear
28	812 00 00-58	Washer	61	532 18 16-98	Screw
		E-Ring 7/16	86	587 96 92-01	Pulley, Idler
			87	581 12 76-01	Screw

NOTE: All component dimensions given in U.S. inches. 1 inch = 25.4 mm. **IMPORTANT:** Use only Original Equipment Manufacturer (O.E.M.) replacement parts. Failure to do so could be hazardous, damage your lawn mower and void your warranty.