

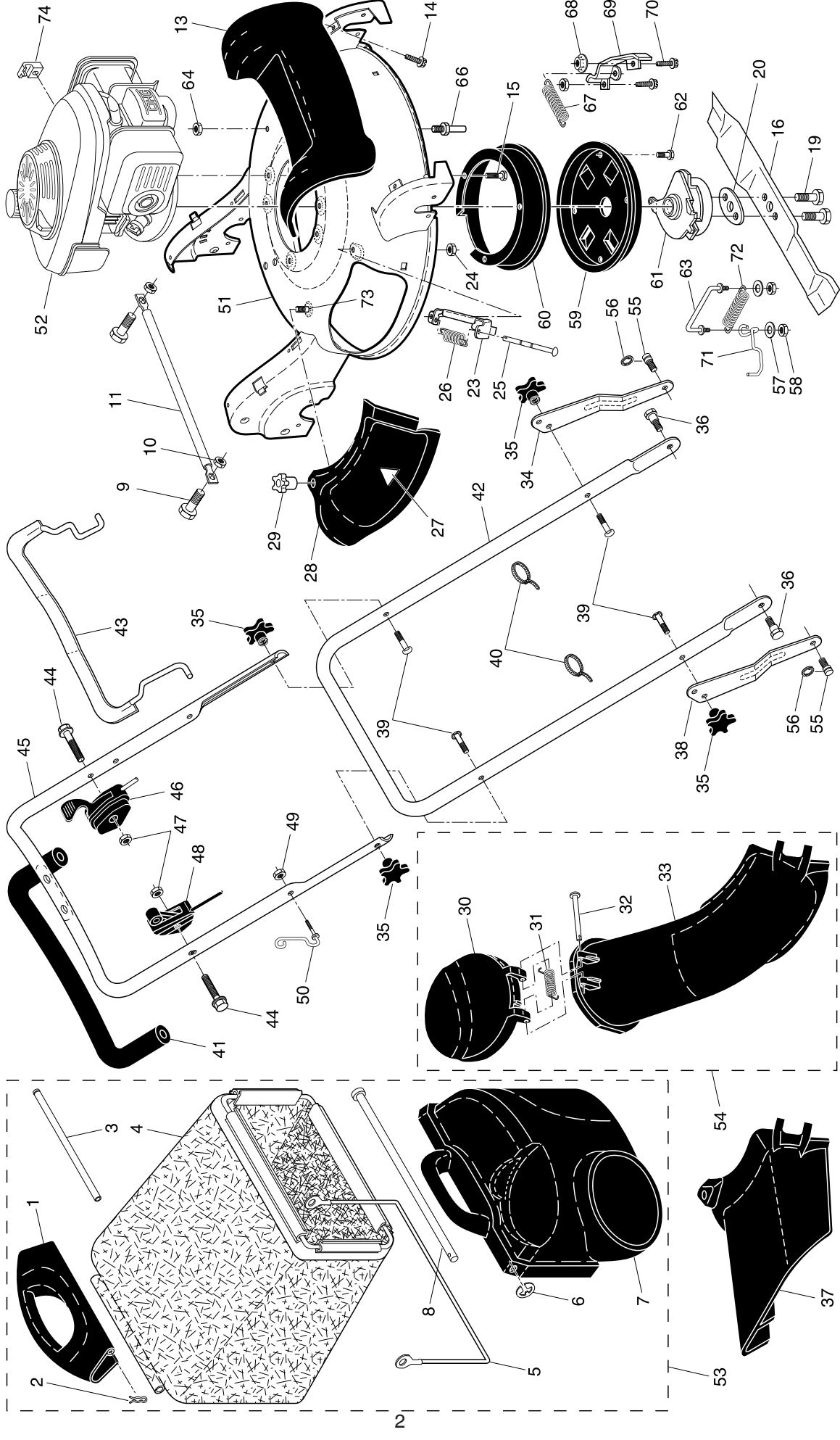
ILLUSTRATED PARTS LIST

CUSTOMER MODEL NUMBER R152SVBBC

PRODUCT NUMBER 954 17 02-42

MFG. ID. NUMBER 95417024202

ROTARY LAWN MOWER - - CUSTOMER MODEL NO. R152SVBBC (95417024202) PRODUCT NO. 954 17 02-42



ROTARY LAWN MOWER - - CUSTOMER MODEL NO. R152SVBBC (95417024202) PRODUCT NO. 954 17 02-42

KEY NO.	PART NO.	DESCRIPTION	KEY NO.	PART NO.	DESCRIPTION
1	532 19 05-82	Handle, Grassbag, Rear	43	532 18 62-99	Bail, Control
2	532 06 53-22	Hairpin Cotter	44	532 18 99-37	Screw
3	532 18 34-83	Rod, Rear Handle, Grassbag	45	532 18 62-96	Handle Assembly, Upper (Includes Foam Grip)
4	532 19 40-86	Grassbag	46	532 19 65-41	Blade Brake Control
5	532 18 85-06	Frame, Grassbag	47	532 13 20-04	Locknut, Hex 1/4-20
6	812 00 00-14	E-Ring	48	532 19 12-57	Throttle Control
7	532 19 05-81	Door, Grassbag	49	532 18 33-65	Nut, Hex
8	532 18 34-79	Rod, Pivot	50	532 18 85-01	Rope Guide
9	872 14 04-05	Screw	51	532 19 40-88	Kit, Housing
10	873 80 04-00	Nut, Hex, Nylock	52	- - -	Engine, Honda, Model Number GCV160 (order parts from engine manufacturer)
11	532 19 06-92	Tube, Rear Skirt			Grassbag Assembly, Complete
13	532 19 05-19	Cover, Front	53	532 19 40-87	Discharge Chute Assembly, Complete
14	532 18 45-72	Screw, Hex Washer Head	54	532 18 90-14	Stud, Shoulder, T45
15	532 15 04-06	Bolt, Engine Mounting	55	532 18 86-28	E-Ring, T45
16	532 18 04-59	Blade, 21"	56	812 00 00-58	Washer, Flat
19	532 19 34-07	Bolt, Hex Head	57	532 05 39-98	Nut, Hex 3/8-16
20	532 19 34-09	Spacer, Blade	58	873 51 06-00	Belt Cover, Lower
23	532 18 36-09	Mounting Bracket, Mulcher Door	59	532 19 09-31	Belt Cover, Upper
24	532 75 11-52	Nut, Hex	60	532 19 09-30	Blade Brake / Clutch Assembly (order parts from engine manufacturer)
25	532 18 34-45	Rod, Hinge	61	- - -	Screw
26	532 18 34-46	Spring, Mulcher Door	62	532 75 00-97	Link, Torque
27	532 18 21-66	Decal, Danger	63	532 18 01-88	Nut, Hex 3/8-16
28	532 19 05-15	Mulcher Door	64	873 19 70-33	Stud, Belt Guide
29	532 18 34-47	Knob	66	532 18 21-31	Spring
30	532 19 05-80	Door, Discharge Chute	67	532 18 03-93	Nut, Hex, Centerlock, Zinc Plated 1/4-20
31	532 18 34-78	Spring, Door, Discharge Chute	68	873 90 04-00	Brake, Clutch
32	532 18 34-45	Rod, Door, Discharge Chute	69	532 19 09-29	Bolt, Hex Head
33	532 19 05-78	Discharge Chute, Plastic	70	874 78 04-10	Belt Keeper
34	532 19 06-19	Adjustment Bracket, Lower Handle, LH	71	532 18 85-45	Spring
35	532 18 55-88	Knob, Star	72	532 18 03-94	Stud, Threaded 1/4-20 x 5/8
36	532 18 34-65	Bolt, Shoulder	73	532 18 86-34	Clamp, Throttle Cable
37	532 18 59-96	Deflector, Discharge	74	532 19 09-03	Decal, Warning (not shown)
38	532 19 06-21	Adjustment Bracket, Lower Handle, RH	- -	532 18 21-34	Operator's Manual, European
39	532 19 15-74	Bolt, Handle	- -	532 19 40-70	Operator's Manual, Scandinavian
40	532 06 64-26	Wire Tie	- -	532 19 40-71	Operator's Manual, East Bloc
41	532 18 27-48	Grip, Foam	- -	532 19 94-07	Operator's Manual, Baltic
42	532 18 70-96	Handle Assembly, Lower	- -	532 19 94-08	

NOTE: All component dimensions given in U.S. inches. 1 inch = 25.4 mm

IMPORTANT: Use only Original Equipment Manufacturer (O.E.M.) replacement parts. Failure to do so could be hazardous, damage your lawn mower and void your warranty.

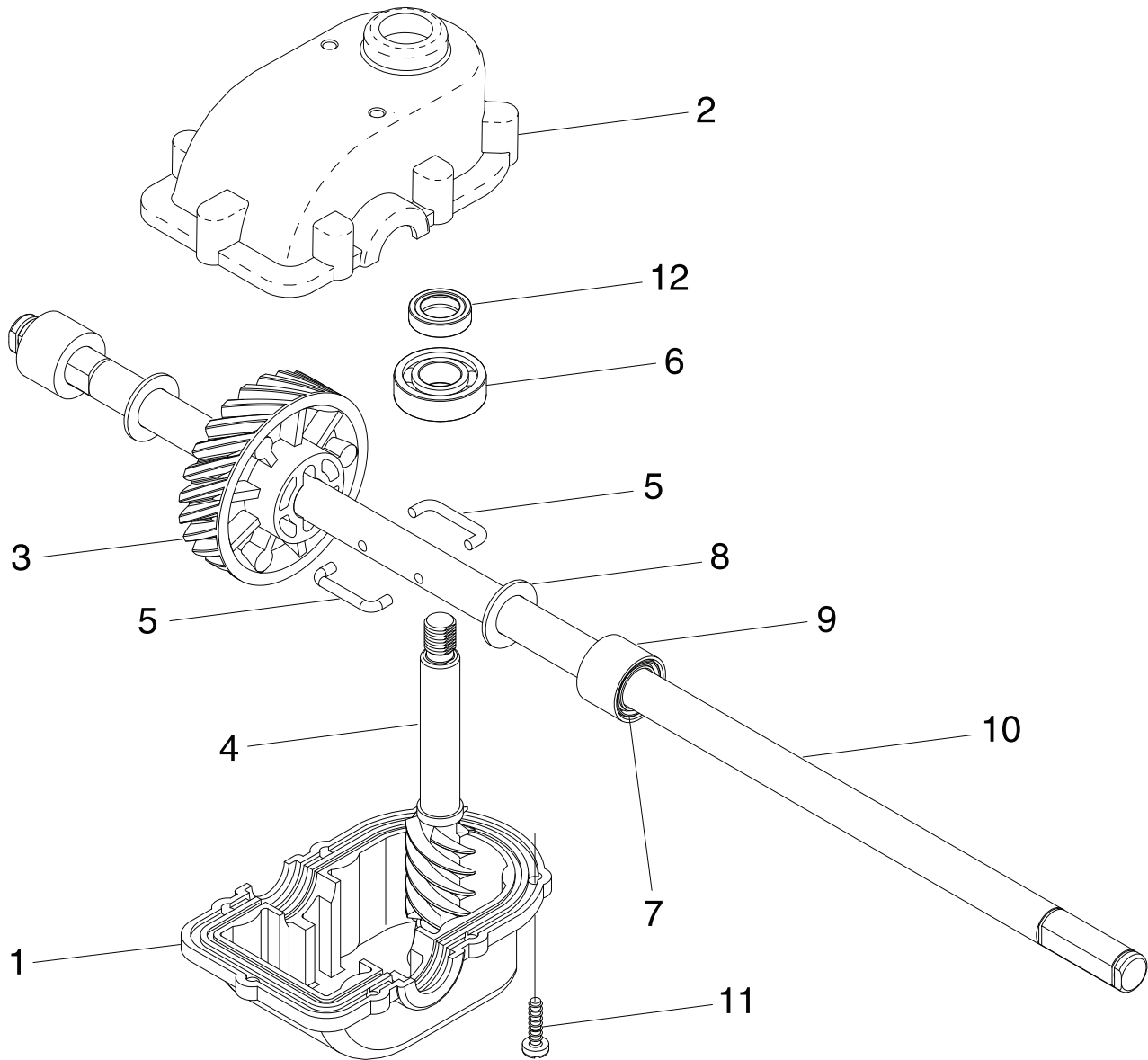
ROTARY LAWN MOWER - - CUSTOMER MODEL NO. R152SVBBC (95417024202) PRODUCT NO. 954 17 02-42

KEY NO.	PART NO.	DESCRIPTION	KEY NO.	PART NO.	DESCRIPTION
1	532 19 70-12	Drive Control Assembly (Includes Cable)	29	817 06 04-10	Screw 1/4-20 x 1/16
2	532 19 57-61	Cover, Drive Control, Top	30	532 18 34-57	Cover, Dust, Wheel
3	532 18 73-53	Pulley, Drive Control	31	532 08 83-48	Washer, Flat 3/8
4	532 19 00-37	Lever, Drive Control (blue)	32	532 19 26-19	Wheel Assembly, Rear 9 x 2-1/4
5	532 19 57-62	Cover, Drive Control, Bottom	33	532 08 39-23	Nut, Hex
6	532 18 16-98	Screw, Torx Head #8 x 5/8	34	532 18 36-95	Hubcap
7	532 18 70-97	Bracket, Mounting, Drive Control	35	532 18 59-94	Knob
8	532 18 62-97	Cap, Drive Control, Bottom	36	532 18 82-91	Spring, Torsion
9	532 19 70-11	Cable, Drive Control	37	532 17 50-98	Pawl
10	532 19 05-65	Cover Assembly, Drive	38	812 00 00-58	E-Ring
11	532 18 45-71	Screw	39	532 17 51-03	Pinion, Gear
12	812 00 00-12	Ring, Retaining	40	532 17 51-05	Retainer, Drive, LH
13	532 18 34-50	Screw	41	532 17 51-04	Disc, Drive
14	532 18 71-20	Bearing / Axle Support	42	532 18 41-72	Seal, Friction
15	532 18 82-94	Gear Case Assembly (See Breakdown)	43	532 19 05-20	Lever, Selector, Wheel Height, Rear
16	532 19 41-24	Spring, Return	44	532 19 05-18	Lever, Selector, Wheel Height, Front
17	532 19 68-22	Bracket, Gear Case / Drive Pulley	46	532 19 22-30	Wheel Assembly, Front 9 x 2-1/4
18	532 16 34-09	Screw	47	532 18 34-38	Bushing, Front Axle
19	532 19 37-91	Pulley, Drive	48	532 16 96-75	Retainer, Hairpin Cotter
21	532 13 20-04	Nut, Hex	49	532 19 64-69	Torque Shaft Assembly, Front
22	532 19 41-28	Pulley Assembly, V-Groove	50	532 18 36-88	Belt, Drive
23	532 18 81-52	O-Ring	51	532 18 83-31	Pinion Assembly, LH
24	532 14 52-12	Nut, Hex, Flangelock	52	532 17 51-02	Retainer, Drive, RH
25	873 93 05-00	Nut, Hex, Lock	53	532 19 59-95	Rear Axle Assembly
26	532 19 65-42	Idler Arm	54	532 18 83-30	Pinion Assembly, RH
27	532 16 60-43	Pulley, Idler	55	532 18 93-78	Decal, Drive Control
28	532 16 08-29	Bolt, Hex Head, Shoulder	69	532 75 10-68	Bearing, Ball (Wheel)

NOTE: All component dimensions given in U.S. inches. 1 inch = 25.4 mm

IMPORTANT: Use only Original Equipment Manufacturer (O.E.M.) replacement parts. Failure to do so could be hazardous, damage your lawn mower and void your warranty.

**ROTARY LAWN MOWER - - CUSTOMER MODEL NUMBER R152SVBBC
(95417024202) PRODUCT NUMBER 954 17 02-42
GEAR CASE ASSEMBLY - - PART NUMBER 532 18 82-94**



KEY NO.	PART NO.	DESCRIPTION
1	532 18 75-30	Case, Lower
2	532 19 12-45	Case, Upper
3	532 18 75-32	Gear, 24 Teeth
4	532 19 12-46	Shaft, Worm
5	532 18 35-05	Wireform
6	532 18 35-06	Bearing, Ball
7	532 18 35-08	Seal, Output Shaft
8	532 18 35-09	Washer
9	532 18 35-11	Bushing
10	532 19 12-47	Shaft, Output
11	532 18 35-13	Screw
12	532 18 35-14	Seal, Worm Shaft
--	532 75 03-69	Grease, Texaco Starplex Premium 1 (Do not substitute) (1.4 ounce capacity)

NOTE: All component dimensions given in U.S. inches. 1 inch = 25.4 mm
IMPORTANT: Use only Original Equipment Manufacturer (O.E.M.) replacement parts.
 Failure to do so could be hazardous, damage your lawn mower and void your warranty.