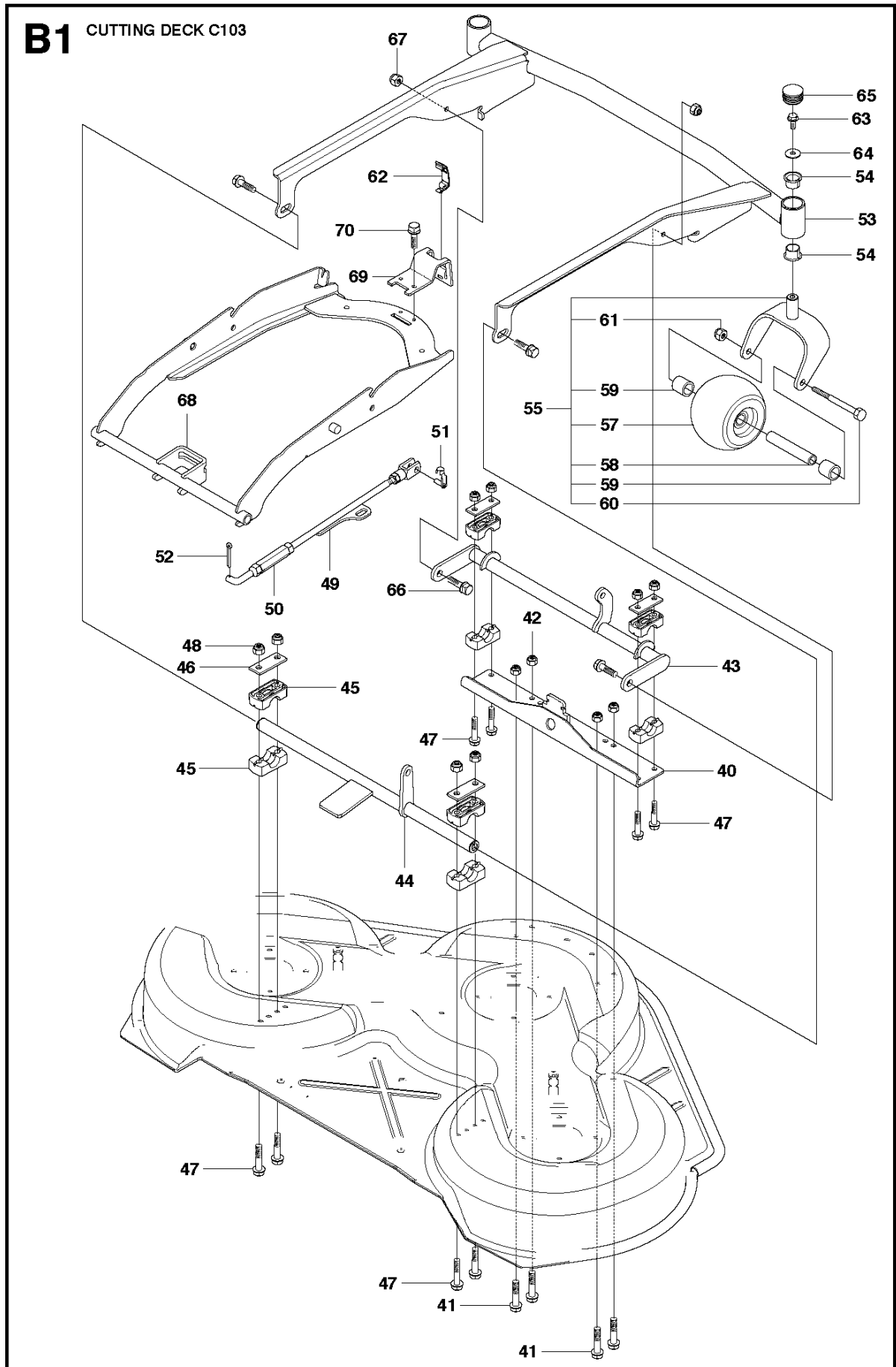




SPARE PARTS LIST

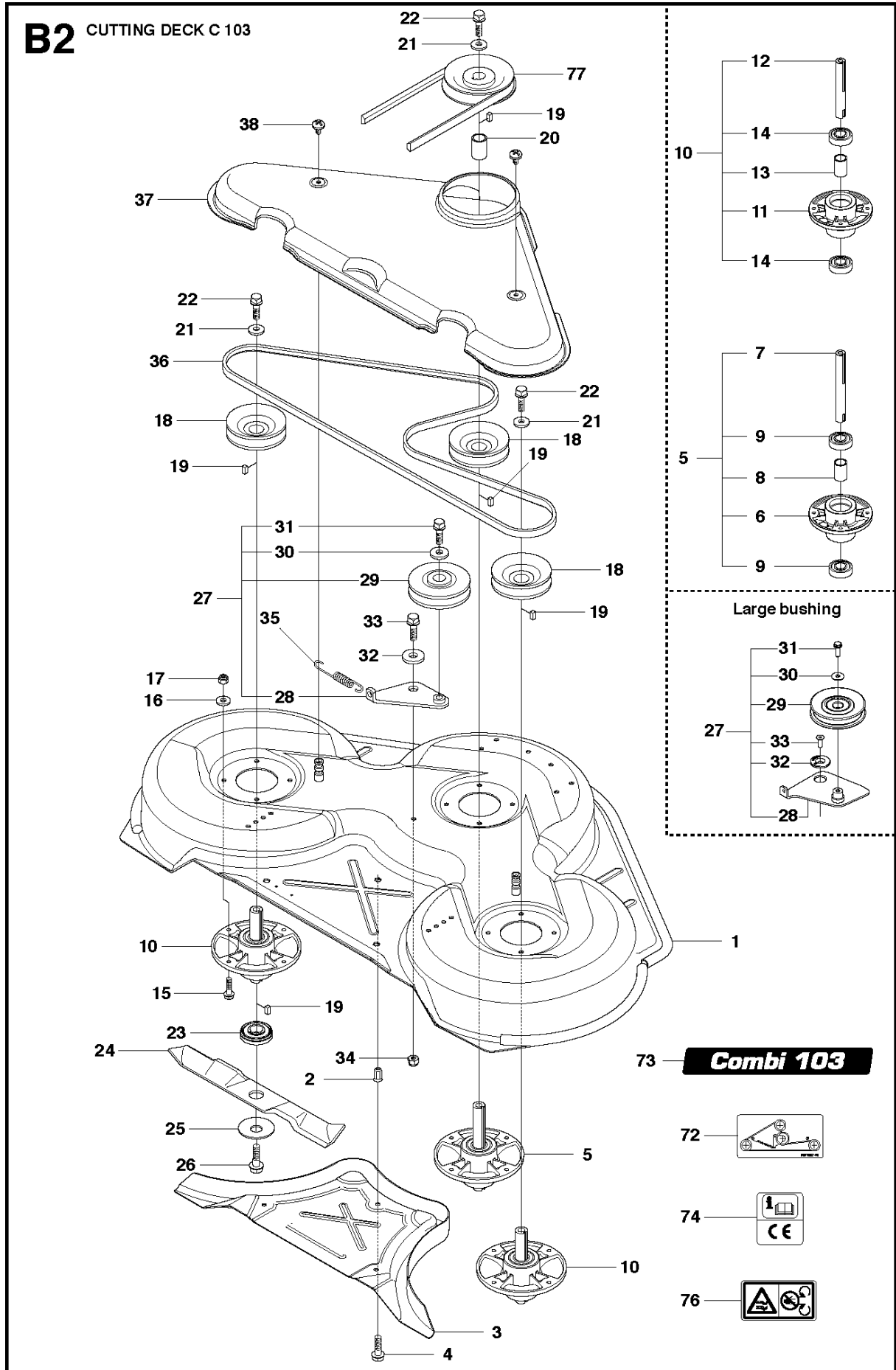
RIDERS

R316 T AWD, 967291701, 2017

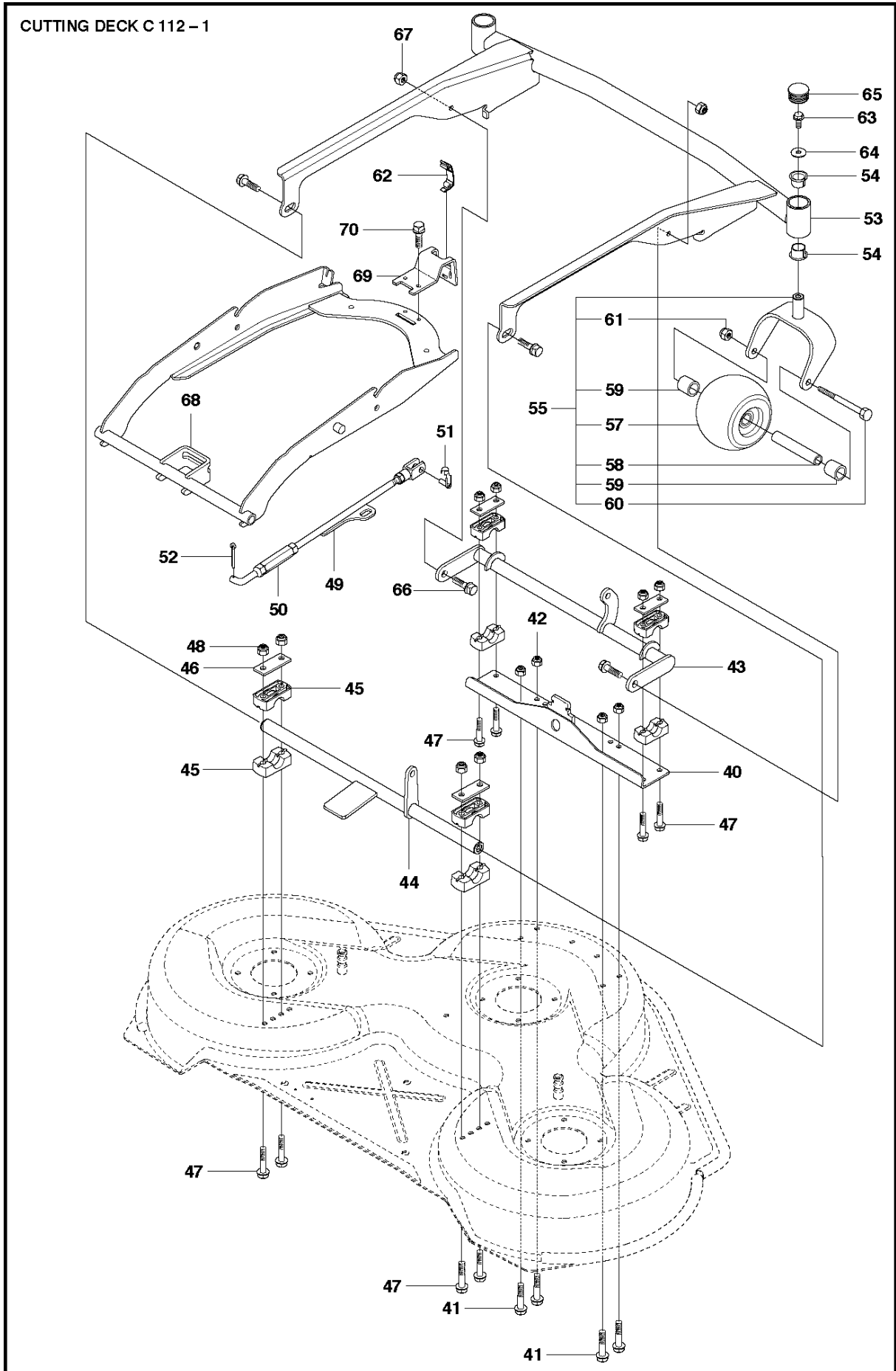


Ref	Part No	Description	Remark	QTY	KIT
40	523 09 53-01	BRACKET		1	
41	725 24 51-71	SCREW EHHM		5	
42	732 21 18-01	LOCK NUT		4	
43	502 64 18-05	CROSS BAR		1	
44	523 09 45-03	CROSS BAR		1	
45	506 86 96-01	BEARING		8	
46	506 81 38-01	REINFORCING PLATE		4	
47	725 24 61-51	SCREW EHHM		8	
48	732 21 18-01	LOCK NUT		8	
49	523 11 42-01	PARALLEL ROD ASSY		1	
50	502 64 23-01	PARALLEL ROD		1	
51	506 83 98-01	GAFFELLÄNK		1	
52	721 61 83-01	SPLIT PIN		1	
53	523 08 65-03	DECK FRAME		1	
54	574 56 19-01	BEARING		4	
55	574 21 01-01	PIVOT WHEEL ASSY		2	
57	506 96 30-01	WHEEL ASSY		1	55
58	506 81 08-02	WHEEL AXLE TUBE		1	55
59	506 87 41-02	SPACER		2	55
60	725 25 19-51	SCREW EHHM		1	55
61	732 21 20-51	NUT		1	55
62	503 89 47-03	SNAP		1	
63	506 57 01-04	SCREW EHHFM		2	
64	734 11 64-41	WASHER		2	
65	574 03 48-01	PLUG		2	
66	506 59 74-01	SCREW EHHFM		4	
67	732 21 18-01	LOCK NUT		2	
68	523 08 75-01	DECK ATTACHMENT		1	
69	523 11 46-01	LOCK		1	
70	725 23 68-61	SCREW EHHFT		2	

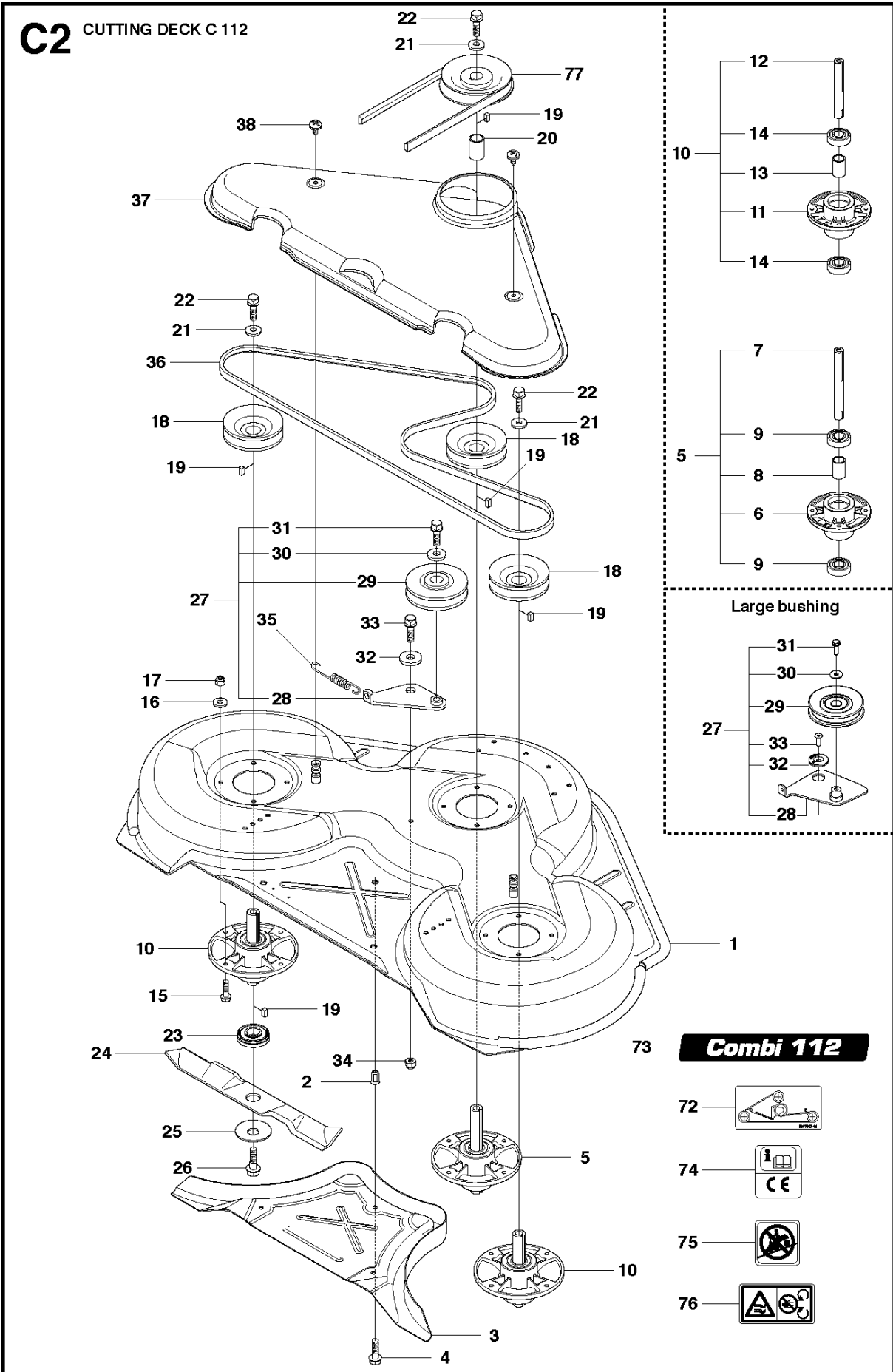
B2 CUTTING DECK C 103



Ref	Part No	Description	Remark	QTY	KIT
1	574 21 08-01	CUTTING DECK		1	
2	506 91 62-01	BLIND RIVET NUT		3	
3	544 44 92-01	PLUG		1	
4	506 57 01-04	SCREW EHHFM		3	
5	576 38 41-01	BLADE HOUSING ASSY		2	
6	576 38 42-01	BEARING HOUSING		1	5
7	576 38 43-01	SHAFT		1	5
8	576 38 44-01	SPACING SLEEVE		1	5
9	738 23 04-34	BALL BEARING		2	5
10	576 38 41-02	BLADE HOUSING ASSY		1	
11	576 38 42-01	BEARING HOUSING		1	10
12	576 38 43-02	SHAFT		1	10
13	576 38 44-01	SPACING SLEEVE		1	10
14	738 23 04-34	BALL BEARING		2	10
15	535 42 38-01	SCREW RSQM		12	
16	734 11 64-01	WASHER		14	
17	732 21 18-01	LOCK NUT		12	
18	506 92 21-01	PULLEY		3	
19	506 53 35-01	PARALLEL KEY		7	
20	544 06 80-02	SPACING SLEEVE		1	
21	734 11 74-41	WASHER		3	
22	544 11 41-01	SCREW EHHM		3	
23	535 50 42-02	ADAPTER		3	
24	504 18 82-01	RIDE ON BLADE		3	
25	506 79 23-01	KNIFE PLATE		3	
26	544 11 41-01	SCREW EHHM		3	
27	506 54 07-01	BELT TENSIONER ASSY	Small bushing	1	
27	586 96 66-01	BELT TENSIONER ASSY	Large bushing	1	
28	506 51 95-01	SPÄNNARM KPL.	Small bushing	1	27
28	585 35 99-01	ARM	Large bushing	1	27
29	506 53 27-01	PULLEY		1	27
30	734 11 64-41	WASHER		1	27
31	506 55 83-02	SCREW EHHFT	Small bushing	1	27
31	586 32 04-01	SCREW	Large bushing	1	27
32	506 91 87-02	WASHER	Small bushing	1	
32	586 49 67-01	WASHER	Large bushing	1	
33	725 24 51-71	SCREW EHHM	Small bushing	1	
33	725 64 53-01	SCREW IHCSFM	Large bushing	1	
34	732 21 18-01	LOCK NUT		1	
35	506 53 31-01	SPRING		1	
36	506 76 85-01	BELT		1	
37	544 09 61-01	BELT COVER		1	
38	544 40 05-01	SCREW		2	
72	506 78 97-01	LABEL		1	
73	544 23 81-03	LABEL		2	
74	506 92 90-01	LABEL		1	
76	574 51 00-01	DECAL		2	
77	506 77 86-01	PULLEY		1	

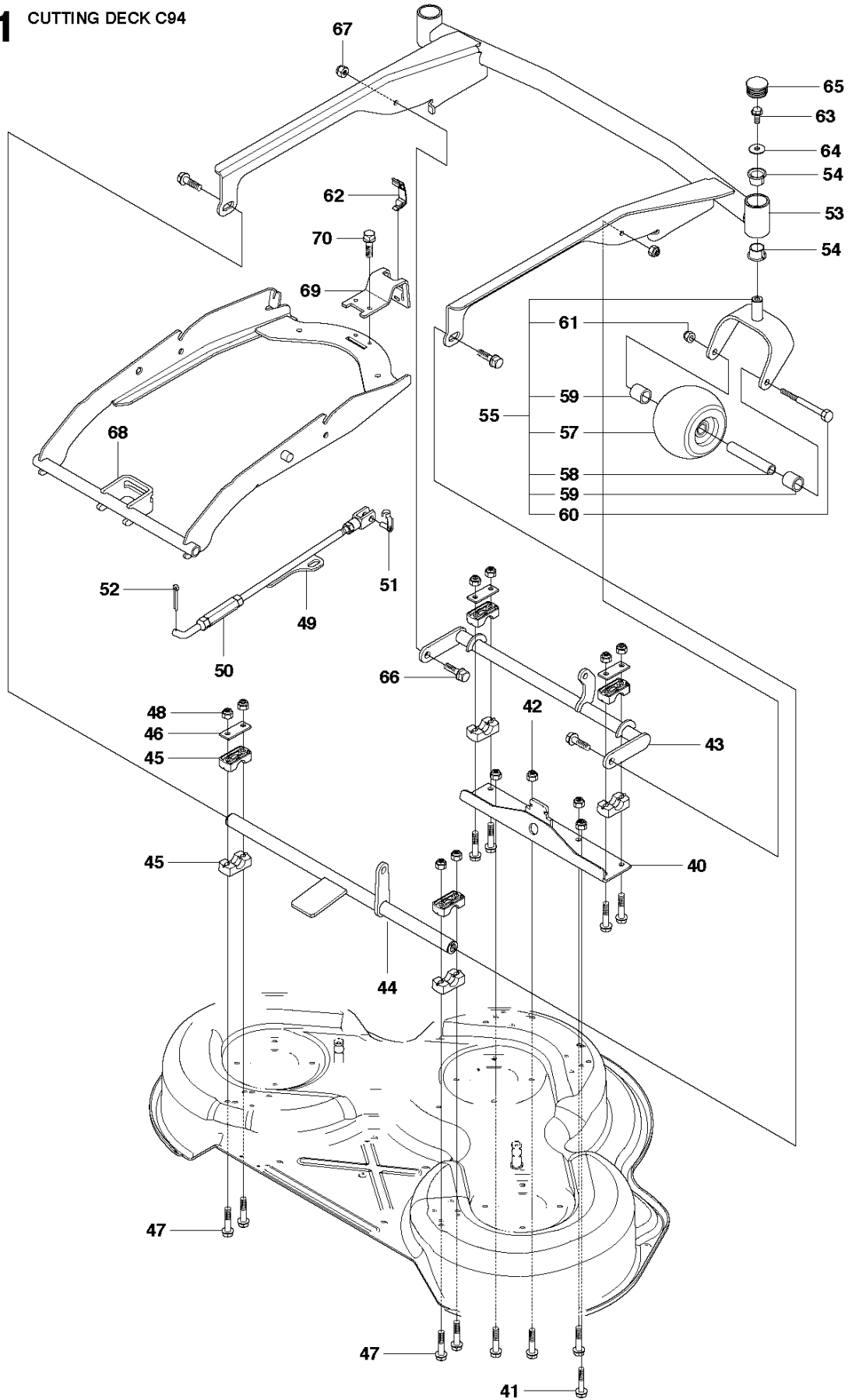


Ref	Part No	Description	Remark	QTY	KIT
40	523 09 53-01	BRACKET		1	
41	725 24 51-71	SCREW EHHM		4	
42	732 21 18-01	LOCK NUT		4	
43	502 64 18-05	CROSS BAR		1	
44	523 09 45-03	CROSS BAR		1	
45	506 86 96-01	BEARING		8	
46	506 81 38-01	REINFORCING PLATE		4	
47	725 24 61-51	SCREW EHHM		8	
48	732 21 18-01	LOCK NUT		8	
49	523 11 42-01	PARALLEL ROD ASSY		1	
50	502 64 23-01	PARALLEL ROD		1	
51	506 83 98-01	GAFFELLÄNK		1	
52	721 61 83-01	SPLIT PIN		1	
53	523 08 65-03	DECK FRAME		1	
54	574 56 19-01	BEARING		4	
55	574 21 01-01	PIVOT WHEEL ASSY		2	
57	506 96 30-01	WHEEL ASSY		1	55
58	506 81 08-02	WHEEL AXLE TUBE		1	55
59	506 87 41-02	SPACER		2	55
60	725 25 19-51	SCREW EHHM		1	55
61	732 21 20-51	NUT		1	55
62	503 89 47-03	SNAP		1	
63	506 57 01-04	SCREW EHHFM		2	
64	734 11 64-41	WASHER		2	
65	574 03 48-01	PLUG		2	
66	506 59 74-01	SCREW EHHFM		4	
67	732 21 18-01	LOCK NUT		2	
68	523 08 75-01	DECK ATTACHMENT		1	
69	523 11 46-01	LOCK		1	
70	725 23 68-61	SCREW EHHFT		2	



Ref	Part No	Description	Remark	QTY	KIT
1	574 20 95-01	CUTTING DECK		1	
2	506 91 62-01	BLIND RIVET NUT		3	
3	544 44 93-01	PLUG		1	
4	506 57 01-04	SCREW EHHFM		3	
5	576 38 41-01	BLADE HOUSING ASSY		1	
6	576 38 42-01	BEARING HOUSING		1	5
7	576 38 43-01	SHAFT		1	5
8	576 38 44-01	SPACING SLEEVE		1	5
9	738 23 04-34	BALL BEARING		2	5
10	576 38 41-02	BLADE HOUSING ASSY		2	
11	576 38 42-01	BEARING HOUSING		1	10
12	576 38 43-02	SHAFT		1	10
13	576 38 44-01	SPACING SLEEVE		1	10
14	738 23 04-34	BALL BEARING		2	10
15	535 42 38-01	SCREW RSQM		12	
16	734 11 64-01	WASHER		12	
17	732 21 18-01	LOCK NUT		12	
18	506 92 21-01	PULLEY		3	
19	506 53 35-01	PARALLEL KEY		7	
20	544 06 80-02	SPACING SLEEVE		1	
21	734 11 74-41	WASHER		3	
22	544 11 41-01	SCREW EHHM		3	
23	535 50 42-02	ADAPTER		3	
24	544 10 28-10	RIDE ON BLADE		3	
25	506 79 23-01	KNIFE PLATE		3	
26	544 11 41-01	SCREW EHHM		3	
27	506 54 07-01	BELT TENSIONER ASSY	Small bushing	1	
27	586 96 66-01	BELT TENSIONER ASSY	Large bushing	1	
28	585 35 99-01	ARM	Small bushing	1	27
28	585 35 99-01	ARM	Large bushing	1	27
29	506 53 27-01	PULLEY		1	27
30	734 11 64-41	WASHER		1	27
31	586 32 04-01	SCREW	Small bushing	1	27
31	586 32 04-01	SCREW	Large bushing	1	27
32	506 91 87-02	WASHER	Small bushing	1	
32	586 49 67-01	WASHER	Large bushing	1	
33	725 24 51-71	SCREW EHHM	Small bushing	1	
33	725 64 53-01	SCREW IHCSFM	Large bushing	1	
34	732 21 18-01	LOCK NUT		1	
35	506 53 31-01	SPRING		1	
36	535 41 19-01	BELT		1	
37	544 09 62-01	BELT COVER		1	
38	544 40 05-01	SCREW		2	
72	506 78 97-01	LABEL		1	
73	544 23 81-05	LABEL		2	
74	506 92 90-01	LABEL		1	
75	535 43 74-01	LABEL WARNING		1	
76	574 51 00-01	DECAL		2	
77	506 77 86-01	PULLEY		1	

A1 CUTTING DECK C94

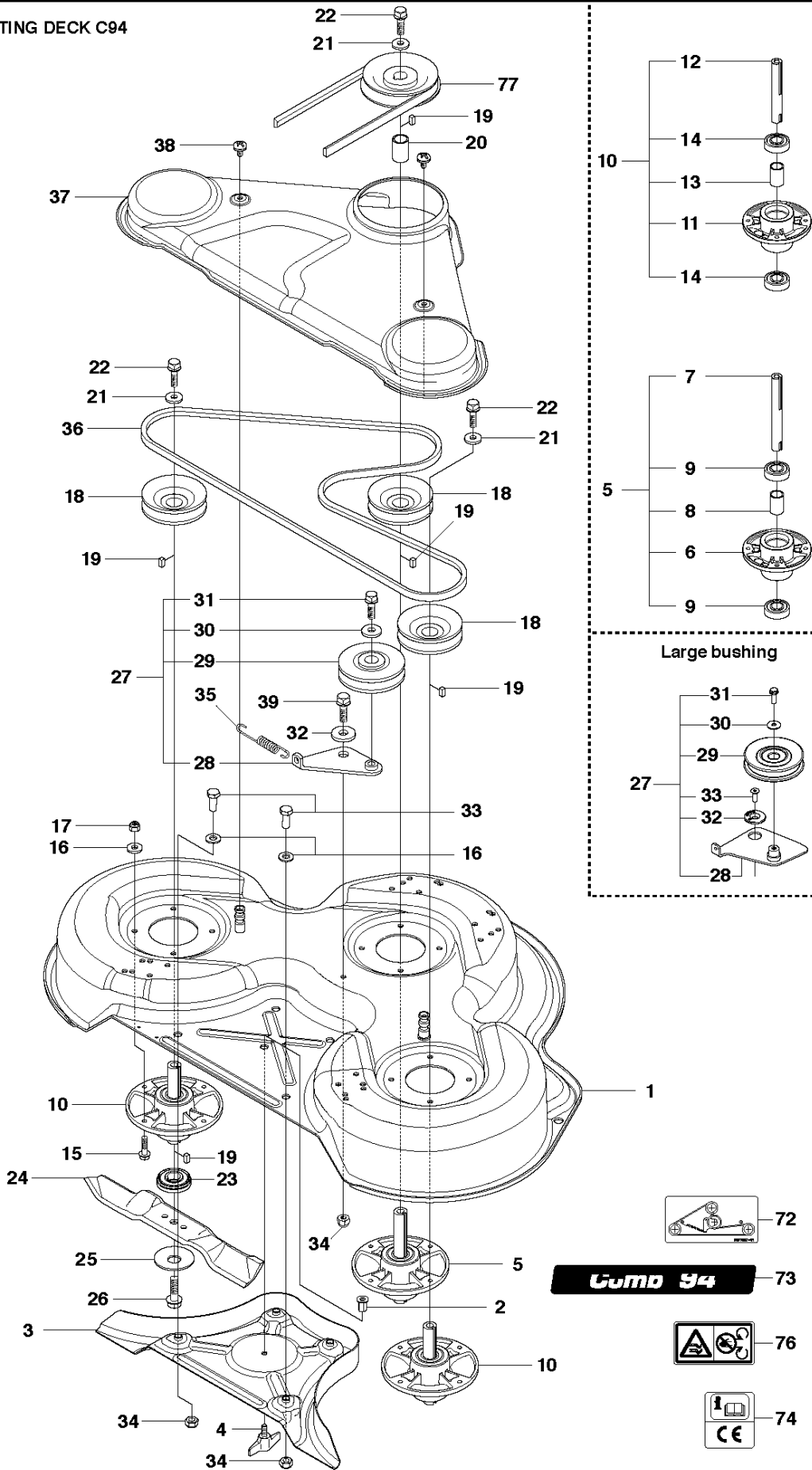


94CM CUTTING DECK

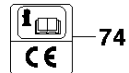
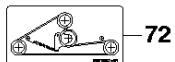
R316 T AWD, 967291701, 2017

Ref	Part No	Description	Remark	QTY	KIT
40	523 09 53-01	BRACKET		1	
41	725 24 51-71	SCREW EHHM		5	
42	732 21 18-01	LOCK NUT		4	
43	502 64 18-02	CROSS BAR		1	
44	523 09 45-01	CROSS BAR		1	
45	506 86 96-01	BEARING		8	
46	506 81 38-01	REINFORCING PLATE		4	
47	725 24 61-51	SCREW EHHM		8	
48	732 21 18-01	LOCK NUT		8	
49	523 11 42-01	PARALLEL ROD ASSY		1	
50	502 64 23-01	PARALLEL ROD		1	
51	506 83 98-01	GAFFELLÄNK		1	
52	721 61 83-01	SPLIT PIN		1	
53	523 08 65-01	DECK FRAME		1	
54	574 56 19-01	BEARING		4	
55	574 21 01-01	PIVOT WHEEL ASSY		2	
57	506 96 30-01	WHEEL ASSY		1	55
58	506 81 08-02	WHEEL AXLE TUBE		1	55
59	506 87 41-02	SPACER		2	55
60	725 25 19-51	SCREW EHHM		1	55
61	732 21 20-51	NUT		1	55
62	503 89 47-03	SNAP		1	
63	506 57 01-04	SCREW EHHFM		2	
64	734 11 64-41	WASHER		2	
65	574 03 48-01	PLUG		2	
66	506 59 74-01	SCREW EHHFM		4	
67	732 21 18-01	LOCK NUT		2	
68	523 08 75-01	DECK ATTACHMENT		1	
69	523 11 46-01	LOCK		1	
70	725 23 68-61	SCREW EHHFT		2	

A2 CUTTING DECK C94



Gumbo 94

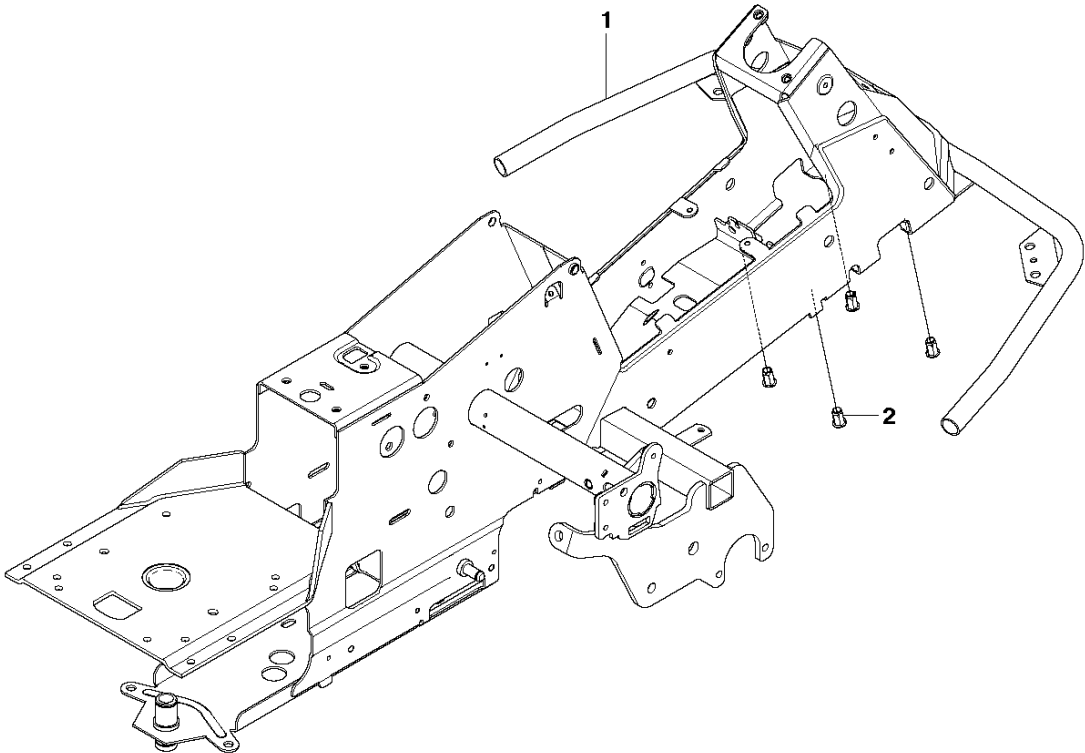


94CM CUTTING DECK

R316 T AWD, 967291701, 2017

Ref	Part No	Description	Remark	QTY	KIT
1	544 06 57-06	CUTTING DECK		1	
2	506 91 62-01	BLIND RIVET NUT		1	
3	544 06 58-01	PLUG		1	
4	544 06 61-01	KNOB		1	
5	576 38 41-01	BLADE HOUSING ASSY		1	
6	576 38 42-01	BEARING HOUSING		1	5
7	576 38 43-01	SHAFT		1	5
8	576 38 44-01	SPACING SLEEVE		1	5
9	738 23 04-34	BALL BEARING		2	5
10	576 38 41-02	BLADE HOUSING ASSY		2	
11	576 38 42-01	BEARING HOUSING		1	10
12	576 38 43-02	SHAFT		1	10
13	576 38 44-01	SPACING SLEEVE		1	10
14	738 23 04-34	BALL BEARING		2	10
15	535 42 38-01	SCREW RSQM		12	
16	734 11 64-01	WASHER		14	
17	732 21 18-01	LOCK NUT		12	
18	506 92 21-01	PULLEY		3	
19	506 53 35-01	PARALLEL KEY		7	
20	544 06 80-02	SPACING SLEEVE		1	
21	734 11 74-41	WASHER		3	
22	544 11 41-01	SCREW EHHM		3	
23	535 50 42-02	ADAPTER		3	
24	505 54 45-01	RIDE ON BLADE		3	
25	506 79 23-01	KNIFE PLATE		3	
26	544 11 41-01	SCREW EHHM		3	
27	506 54 07-01	BELT TENSIONER ASSY	Small bushing	1	
27	586 96 66-01	BELT TENSIONER ASSY	Large bushing	1	
28	506 51 95-01	SPÄNNARM KPL.	Small bushing	1	27
28	585 35 99-01	ARM	Large bushing	1	27
29	506 53 27-01	PULLEY		1	27
30	734 11 64-41	WASHER		1	27
31	506 55 83-02	SCREW EHHFT	Small bushing	1	27
31	586 32 04-01	SCREW	Large bushing	1	27
32	506 91 87-02	WASHER	Small bushing	1	
32	586 49 67-01	WASHER	Large bushing	1	
33	725 24 51-71	SCREW EHHM		2	
34	732 21 18-01	LOCK NUT		1	
35	506 53 31-01	SPRING		1	
36	505 20 86-01	BELT		1	
37	544 06 63-01	BELT COVER		1	
38	544 40 05-01	SCREW		2	
39	725 24 51-71	SCREW EHHM	Small bushing	1	
39	725 64 53-01	SCREW IHCSFM	Large bushing	1	
72	506 78 97-01	LABEL		1	
73	544 23 81-01	LABEL		2	
74	506 92 90-01	LABEL		1	
76	574 51 00-01	DECAL		2	
77	506 77 86-01	PULLEY		1	

F R316T AWD
CHASSIS



Ref	Part No	Description	Remark	QTY KIT
1	577 93 91-01	CHASSIS		1
2	506 91 62-01	BLIND RIVET NUT		4

CHASSIS REAR

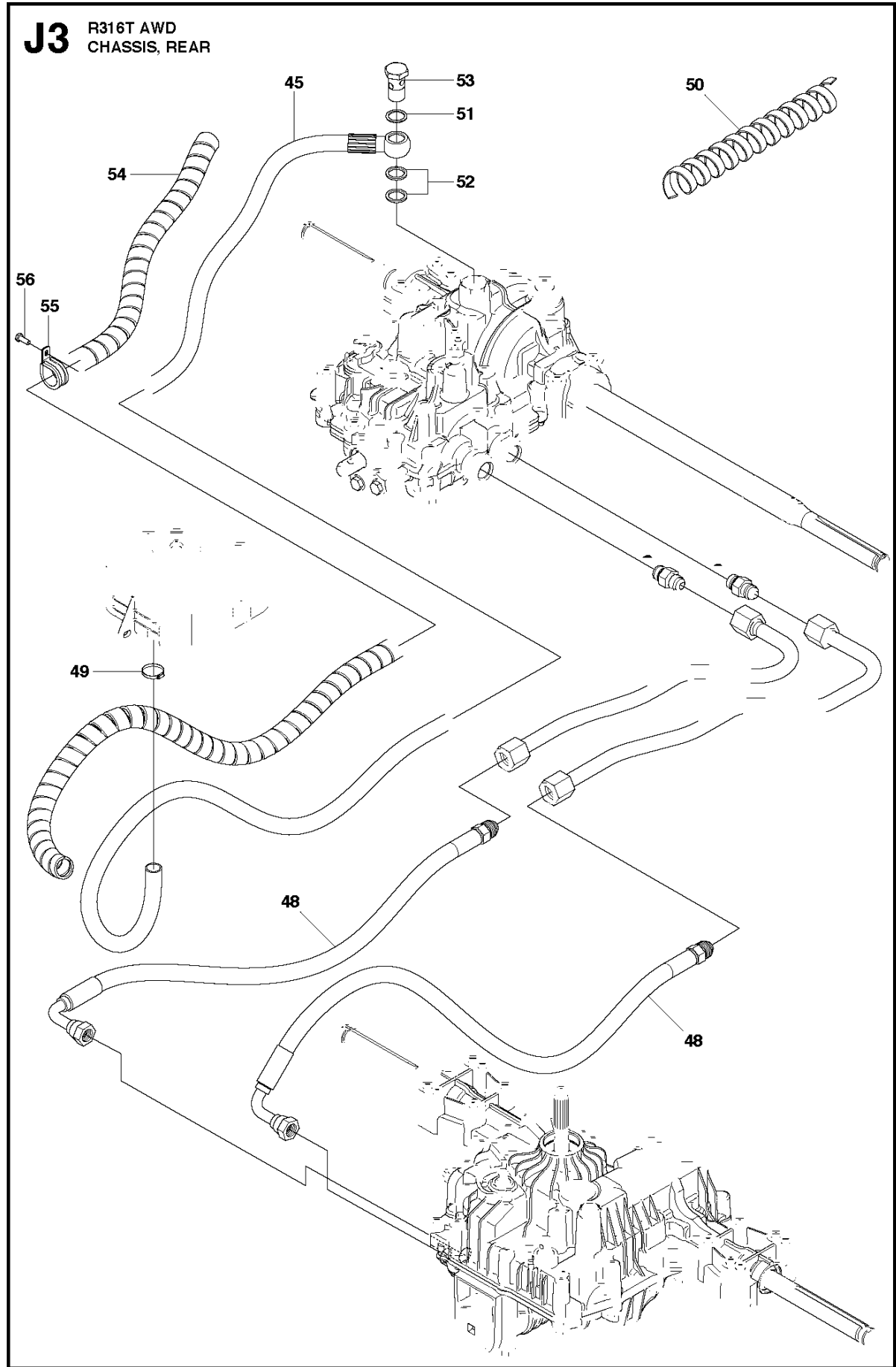
R316 T AWD, 967291701, 2017

Ref	Part No	Description	Remark	QTY	KIT
10	535 40 60-01	BRACKET		1	
11	506 98 61-02	GLIDLAGER		2	10
27	544 26 21-01	BRACKET		1	
46	506 88 99-01	HITCH		1	
47	725 25 00-51	SCREW EHHM		2	
48	544 03 96-02	COUNTERWEIGHT		1	

CHASSIS REAR

R316 T AWD, 967291701, 2017

Ref	Part No	Description	Remark	QTY	KIT
12	544 11 61-01	TRANSMISSION		1	
13	725 24 67-51	SCREW EHHM		5	
14	734 11 64-01	WASHER		4	
15	731 23 18-01	HEXAGON NUT		4	
16	506 98 72-01	MOMENTFÄSTE		1	
17	725 24 59-51	SCREW EHHM		1	
18	725 24 62-51	SCREW EHHM		1	
19	506 59 93-01	LINK		1	
20	731 23 18-01	HEXAGON NUT		2	
21	506 98 74-03	LEVER		1	
22	506 91 87-02	WASHER		1	
23	725 24 51-71	SCREW EHHM		1	
24	506 98 75-01	ADJUSTMENT ROD		1	
25	732 21 14-01	LOCK NUT		2	
29	506 98 82-01	FRIKOPPLINGSSTÅNG		1	
30	506 83 43-01	SPRING		1	
31	506 98 84-01	BELT TENSIONER ASSY		1	
32	506 98 85-01	BELT TENSIONER		1	31
33	506 94 69-01	BELT TENS WHEEL ASSY		1	31
34	725 24 55-51	SCREW		1	31
35	734 11 64-41	WASHER		1	31
36	732 21 18-01	LOCK NUT		1	31
37	506 91 87-02	WASHER		1	
38	725 24 51-71	SCREW EHHM		1	
39	506 98 86-01	SPRING		1	
41	544 10 01-01	EXPANSION TANK		1	
42	544 12 17-01	BRACKET		1	
43	725 23 64-61	SCREW EHHFT		1	
44	506 67 33-01	TANK CAP ASSY		1	

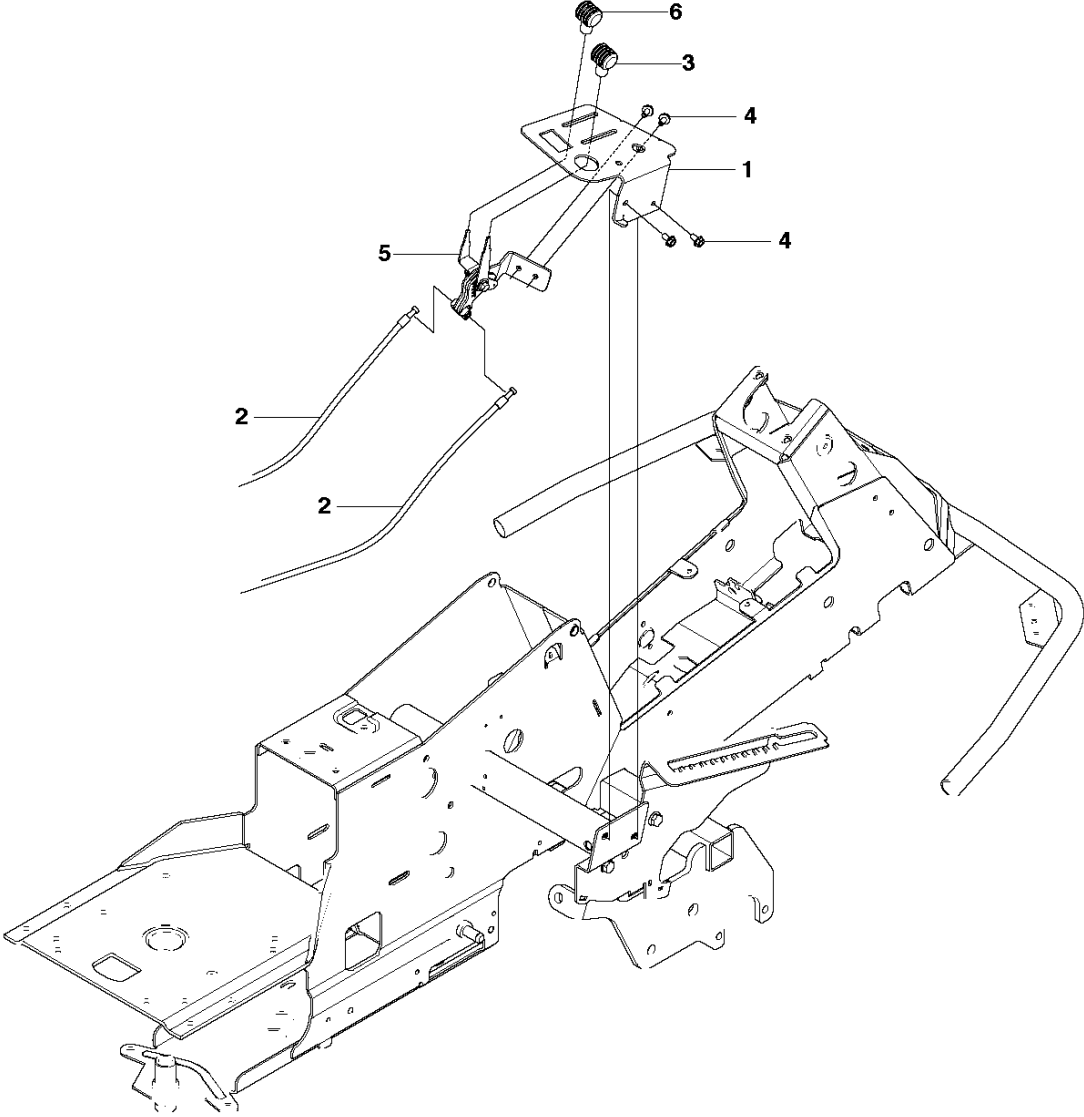


CHASSIS REAR

R316 T AWD, 967291701, 2017

Ref	Part No	Description	Remark	QTY KIT
45	578 29 50-03	HYDRAULIC HOSE		1
48	544 45 64-03	HYDRAULIC HOSE		2
49	505 13 11-01	HOSE CLAMP		1
50	544 02 66-01	HOSE GUARD		1
51	544 01 00-01	GASKET		1
52	544 01 00-03	GASKET		2
53	544 02 05-01	PIPE FITTING		1
54	544 02 66-07	HOSE GUARD		1
55	574 53 12-01	HOSE CLAMP		1
56	725 23 68-61	SCREW EHHFT		1

N R316T AWD
CONTROLS

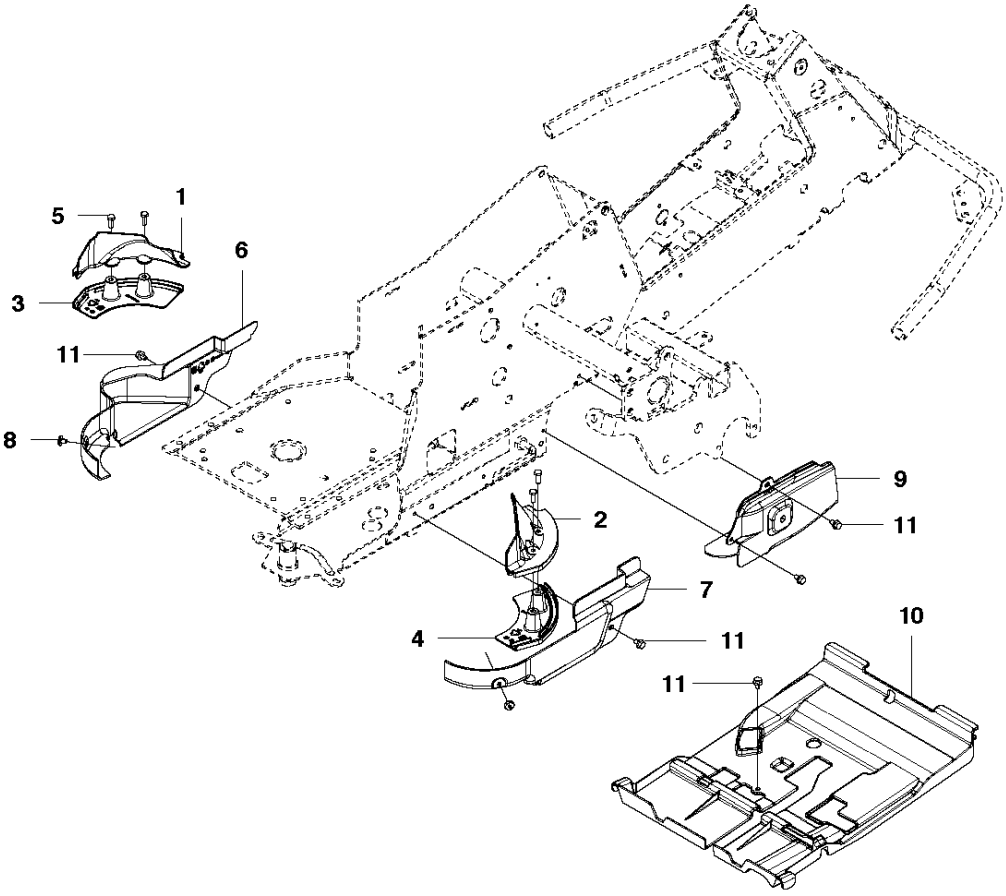


CONTROLS

R316 T AWD, 967291701, 2017

Ref	Part No	Description	Remark	QTY KIT
1	578 03 31-01	SUPPORT		1
2	544 30 17-06	WIRE		2
3	506 88 91-01	KNOB		1
4	535 47 52-12	SCREW EHHFM		4
5	578 02 34-01	THROTTLE CONTROL		1
6	506 88 91-02	KNOB		1

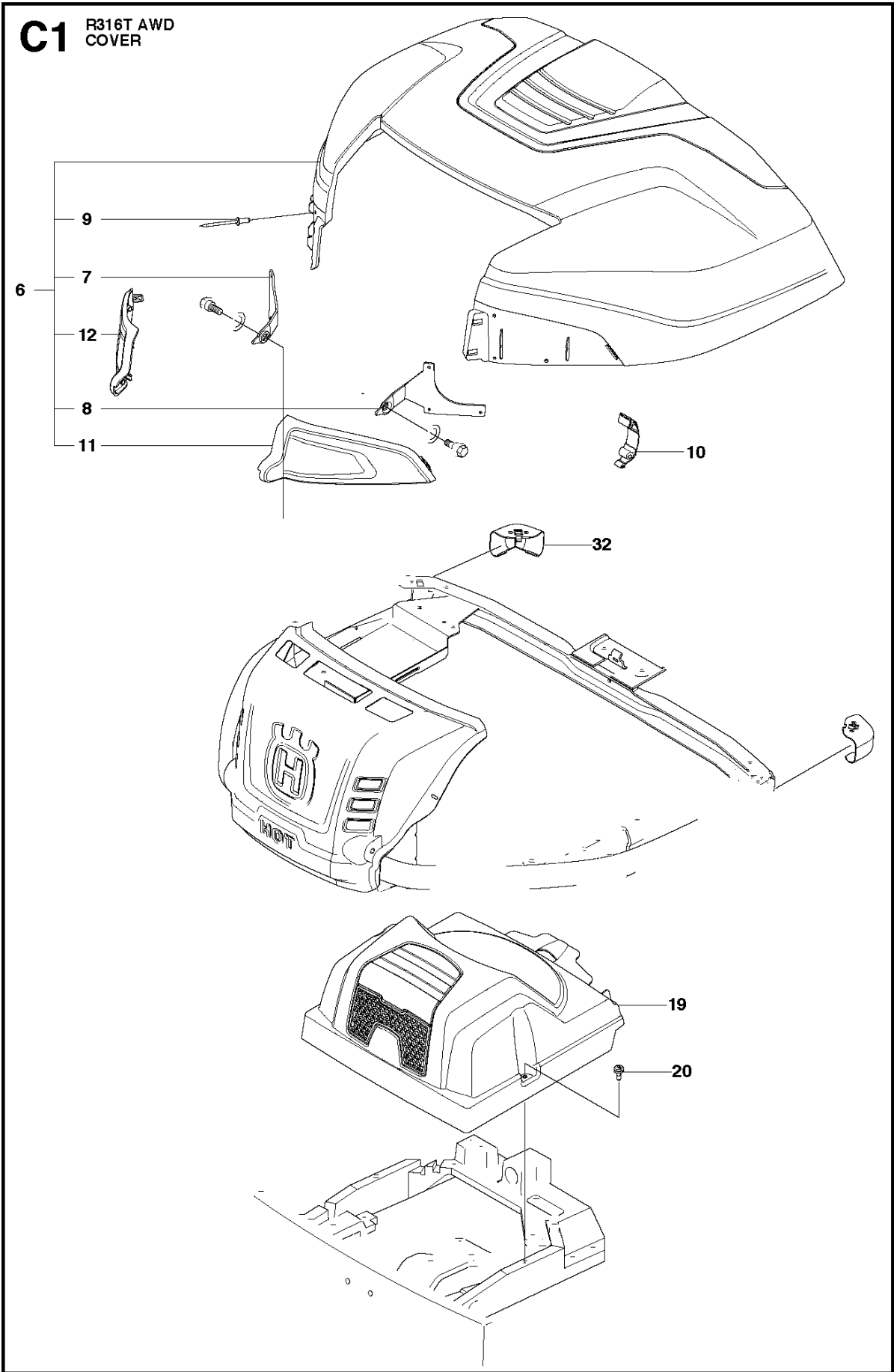
COVER - 3



COVER

R316 T AWD, 967291701, 2017

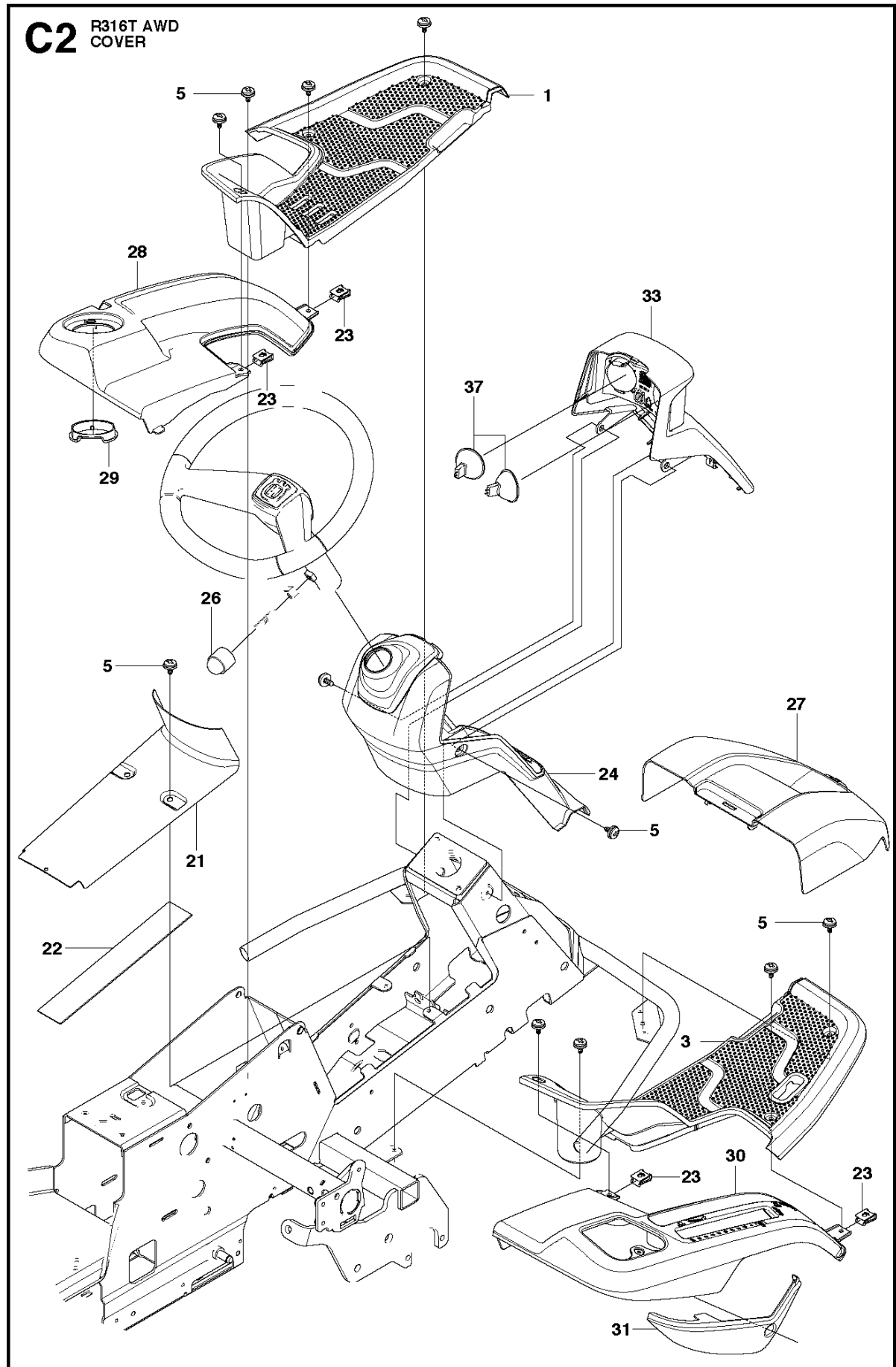
Ref	Part No	Description	Remark	QTY KIT
1	510 22 25-01	BELT COVER		1
2	510 22 25-02	BELT COVER		1
3	510 22 27-01	BELT COVER		1
4	510 22 27-02	BELT COVER		1
5	725 23 68-61	SCREW EHHFT		4
6	510 22 23-03	BELT COVER		1
7	510 22 24-01	BELT COVER		1
8	522 55 73-01	SCREW		2
9	516 01 88-01	BELT COVER		1
10	525 56 33-03	BELT COVER		1
11	725 23 64-61	SCREW EHHFT		5



COVER

R316 T AWD, 967291701, 2017

Ref	Part No	Description	Remark	QTY	KIT
6	577 61 47-02	ENGINE HOOD ASSY		1	
7	578 11 37-01	HINGE		1	6
8	578 11 37-02	HINGE		1	6
9	722 79 54-02	RIVET		6	6
10	503 89 47-03	SNAP		1	
11	577 61 26-02	COVER		1	6
12	577 61 26-01	COVER		1	6
19	578 26 13-04	TRANSMISSION COVER		1	
20	574 85 62-01	SCREW		2	
32	577 90 33-01	PLUG		2	

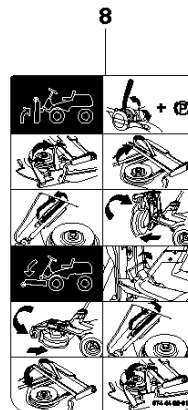
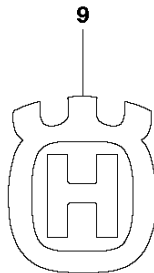
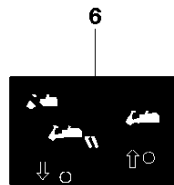
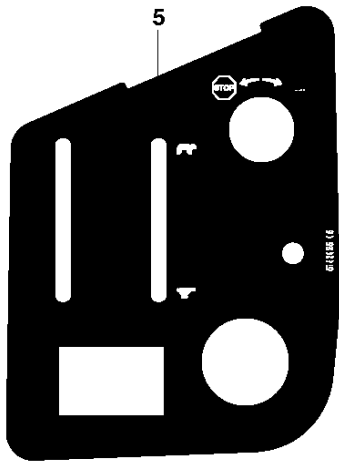
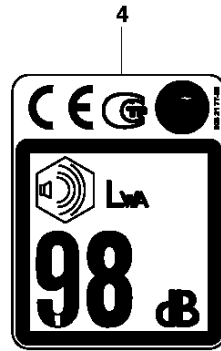
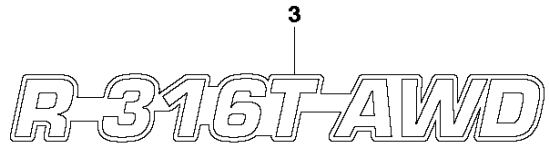
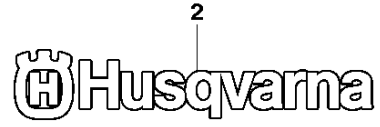
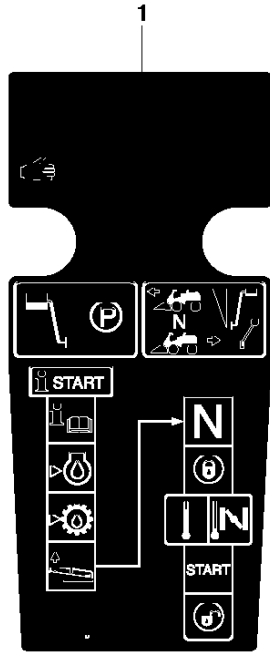


COVER

R316 T AWD, 967291701, 2017

Ref	Part No	Description	Remark	QTY KIT
1	577 72 93-01	FOOT PLATE		1
3	577 72 94-01	FOOT PLATE		1
5	544 40 05-01	SCREW		14
21	544 23 92-01	COVER		1
22	544 42 75-01	MAT		1
23	535 42 91-01	SPRING NUT		4
24	577 70 41-01	COVER		1
26	544 43 32-01	PROTECTIVE COVER		1
27	525 56 24-01	UNIT COVER		1
28	577 72 95-01	FENDER		1
29	577 76 45-01	LOCKING NUT		1
30	577 72 96-01	FENDER		1
31	577 73 75-01	CONTROL COVER		1
33	577 70 04-01	COVER		1
37	535 44 68-01	LAMP		2

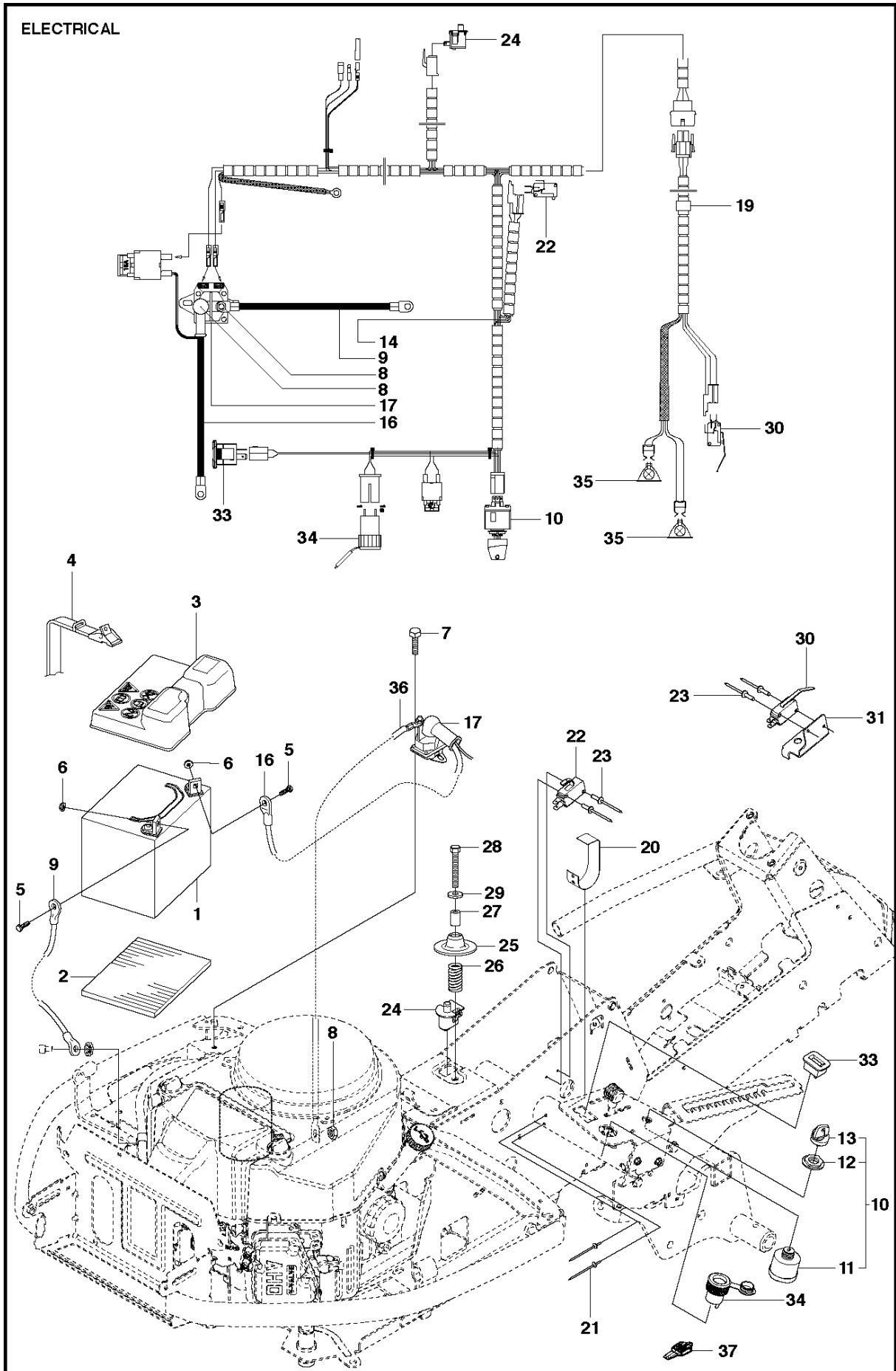
S R316T AWD
DECALS



DECALS

R316 T AWD, 967291701, 2017

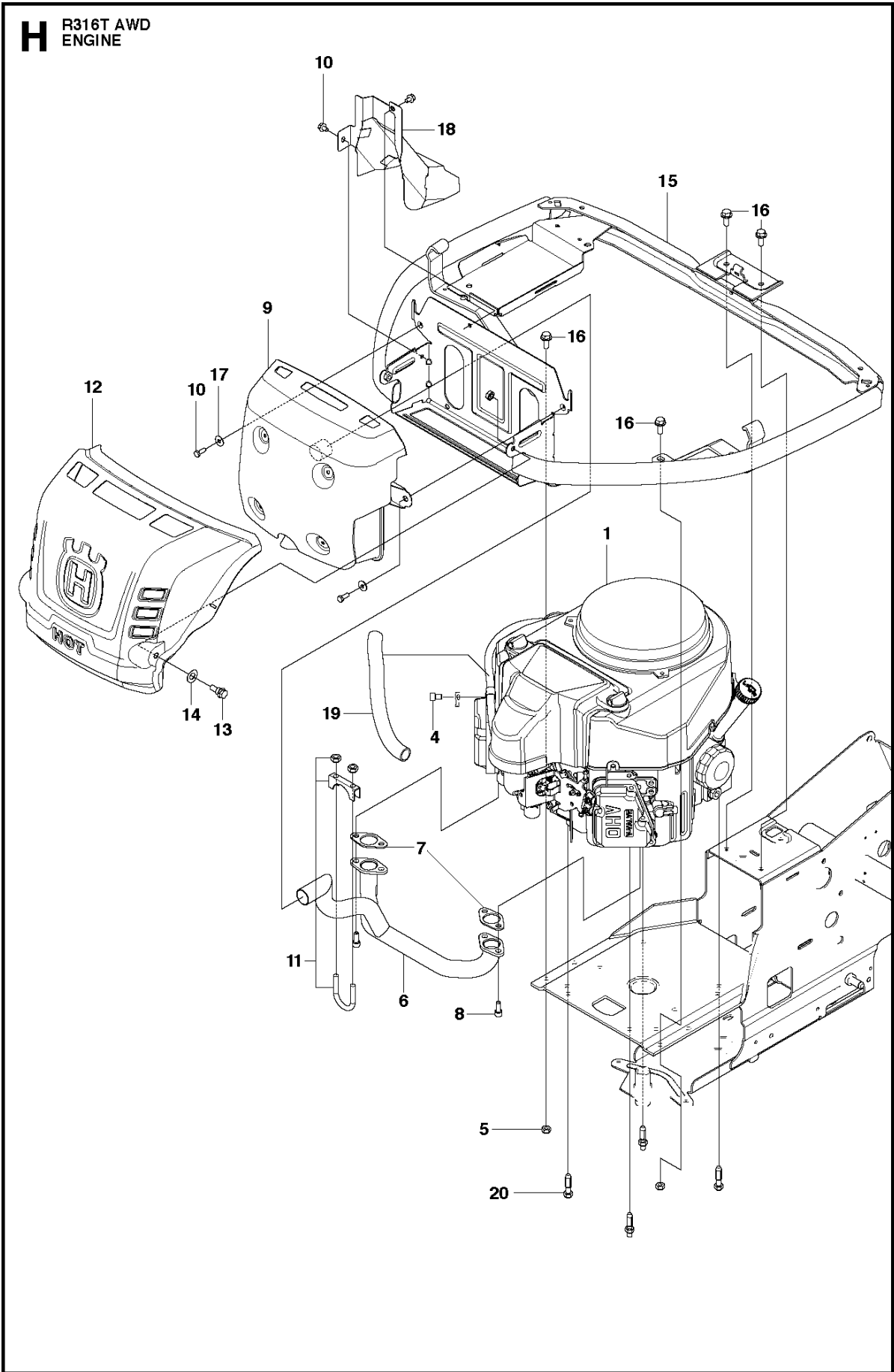
Ref	Part No	Description	Remark	QTY KIT
1	544 43 86-01	LABEL		1
2	577 06 20-01	DECAL		2
3	578 36 45-08	DECAL		2
4	505 21 77-09	LABEL		1
5	578 39 25-05	DECAL		1
6	544 21 14-01	LABEL		2
7	579 09 15-01	DECAL		2
8	574 44 32-01	LABEL		1
9	576 97 34-01	DECAL		1



ELECTRICAL

R316 T AWD, 967291701, 2017

Ref	Part No	Description	Remark	QTY	KIT
1	577 04 16-01	BATTERY		1	
2	535 44 11-01	BATTERY MAT		1	
3	578 20 06-01	COVER		1	
4	506 83 68-02	BELT		1	
5	522 62 21-01	SCREW EHHM		2	
6	522 62 43-01	NUT		2	
7	725 23 64-61	SCREW EHHFT		1	
8	506 89 98-01	NUT		3	
9	576 18 39-01	CABLE		1	
10	579 43 43-01	IGNITION SWITCH		1	
11	578 26 17-01	IGNITION SWITCH		1	10
12	544 44 23-01	NUT		1	10
13	544 44 24-01	IGNITION KEY		1	10
14	578 33 85-01	WIRING		1	
16	576 18 40-01	CABLE		1	
17	544 43 98-01	RELAY		1	
19	578 32 89-01	WIRING		1	
20	506 90 93-01	PLATE SPRING		1	
21	722 78 39-02	BLIND RIVET		2	
22	574 31 60-01	SWITCH		1	
23	544 44 07-01	RIVET		4	
24	506 90 96-01	SWITCH		1	
25	506 90 97-01	SPRING WASHER		1	
26	544 44 12-01	SPRING		1	
27	506 90 99-02	SPACING TUBE		1	
28	725 24 60-51	SCREW EHHM		1	
29	734 11 64-01	WASHER		1	
30	574 31 61-01	SWITCH		1	
31	544 41 57-01	BRACKET		1	
33	578 38 24-01	HOUR METER		1	
34	535 47 48-01	POWER SOCKET		1	
35	535 44 68-01	LAMP		2	
36	576 18 38-01	CABLE		1	
37	586 37 94-01	LEVER		1	

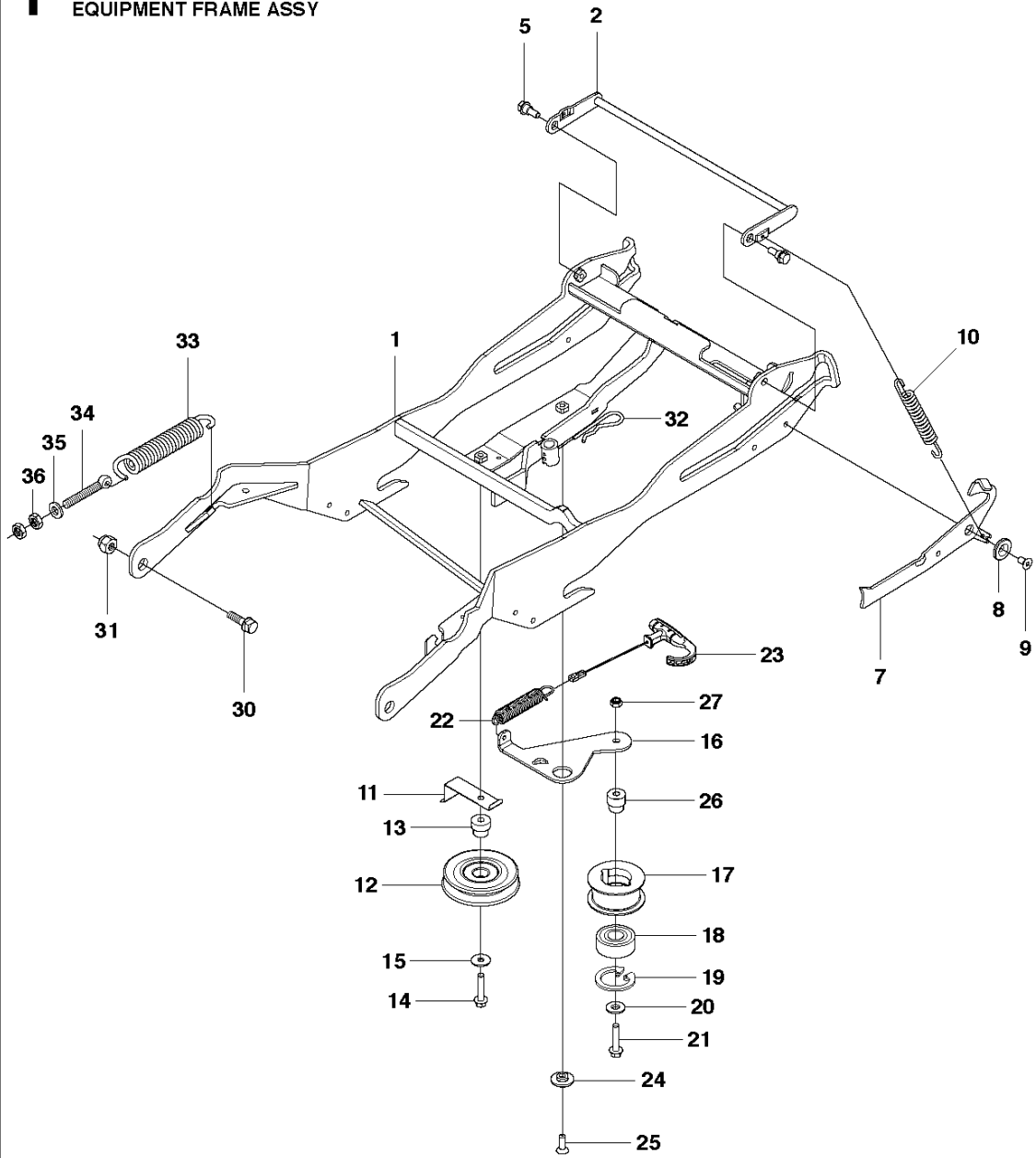


ENGINE

R316 T AWD, 967291701, 2017

Ref	Part No	Description	Remark	QTY KIT
1	577 82 39-01	ENGINE		1
4	725 54 47-01	SCREW IHSCM		1
5	732 21 18-01	LOCK NUT		6
6	578 11 88-01	MANIFOLD		1
7	506 91 45-01	GASKET		1
8	506 55 63-01	SCREW UNC		2
9	577 81 36-01	MUFFLER		1
10	725 23 64-61	SCREW EHHFT		4
11	506 66 84-01	CLAMP ASSY		1
12	577 81 85-02	HEAT SHIELD		1
13	506 59 74-01	SCREW EHHFM		2
14	506 83 94-01	SPRING WASHER		2
15	577 84 91-01	ENGINE FRAME		1
16	506 57 01-04	SCREW EHHFM		4
17	734 11 54-41	WASHER		2
18	579 31 49-01	HEAT DEFLECTOR		1
19	579 39 64-01	HOSE GUARD		1
20	578 20 75-01	STUD SCREW		4

T R316T AWD
EQUIPMENT FRAME ASSY

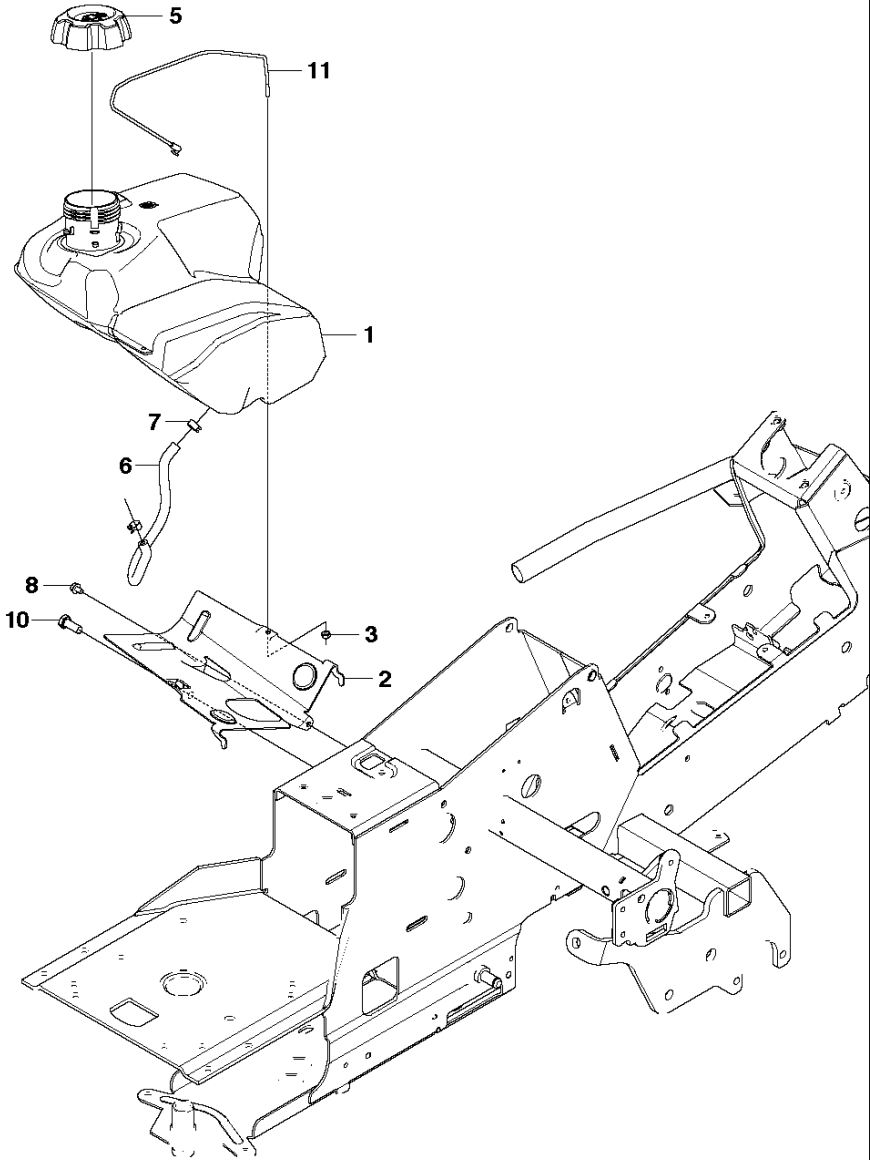


FRAME

R316 T AWD, 967291701, 2017

Ref	Part No	Description	Remark	QTY KIT
1	523 06 42-01	EQUIPMENT FRAME		1
2	525 47 59-01	HOOK		1
5	506 59 74-01	SCREW EHHFM		2
7	523 11 66-02	LEVER		1
8	506 91 87-01	WASHER		1
9	725 64 48-01	SCREW IHCSFM		1
10	506 53 56-03	DRAW SPRING		1
11	525 48 67-01	BELT GUIDE		1
12	506 97 48-01	PULLEY		1
13	506 82 68-02	BUSHING		1
14	725 24 59-51	SCREW EHHM		1
15	734 11 64-41	WASHER		1
16	577 22 87-01	SHEET		1
17	505 15 39-01	BELT TENSIONER WHEEL ASSY		1
18	738 21 04-04	BALL BEARING		1
19	735 31 38-10	CIRCLIP		1
20	734 11 64-41	WASHER		1
21	725 24 59-51	SCREW EHHM		1
22	504 62 24-01	SPRING		1
23	504 62 21-02	HANDLE ASSY		1
24	505 45 17-01	WASHER		1
25	725 64 53-01	SCREW IHCSFM		1
26	535 48 48-01	BUSHING		1
27	732 21 18-01	LOCK NUT		1
30	506 89 58-01	COLLAR SCREW		2
31	732 25 22-01	HEXAGON LOCKING NUT		2
32	506 96 66-01	HAIR PIN COTTER		1
33	506 83 76-01	SPRING		2
34	506 83 77-01	RING BOLT		2
35	734 11 72-01	WASHER		2
36	731 23 20-51	HEXAGON NUT		4

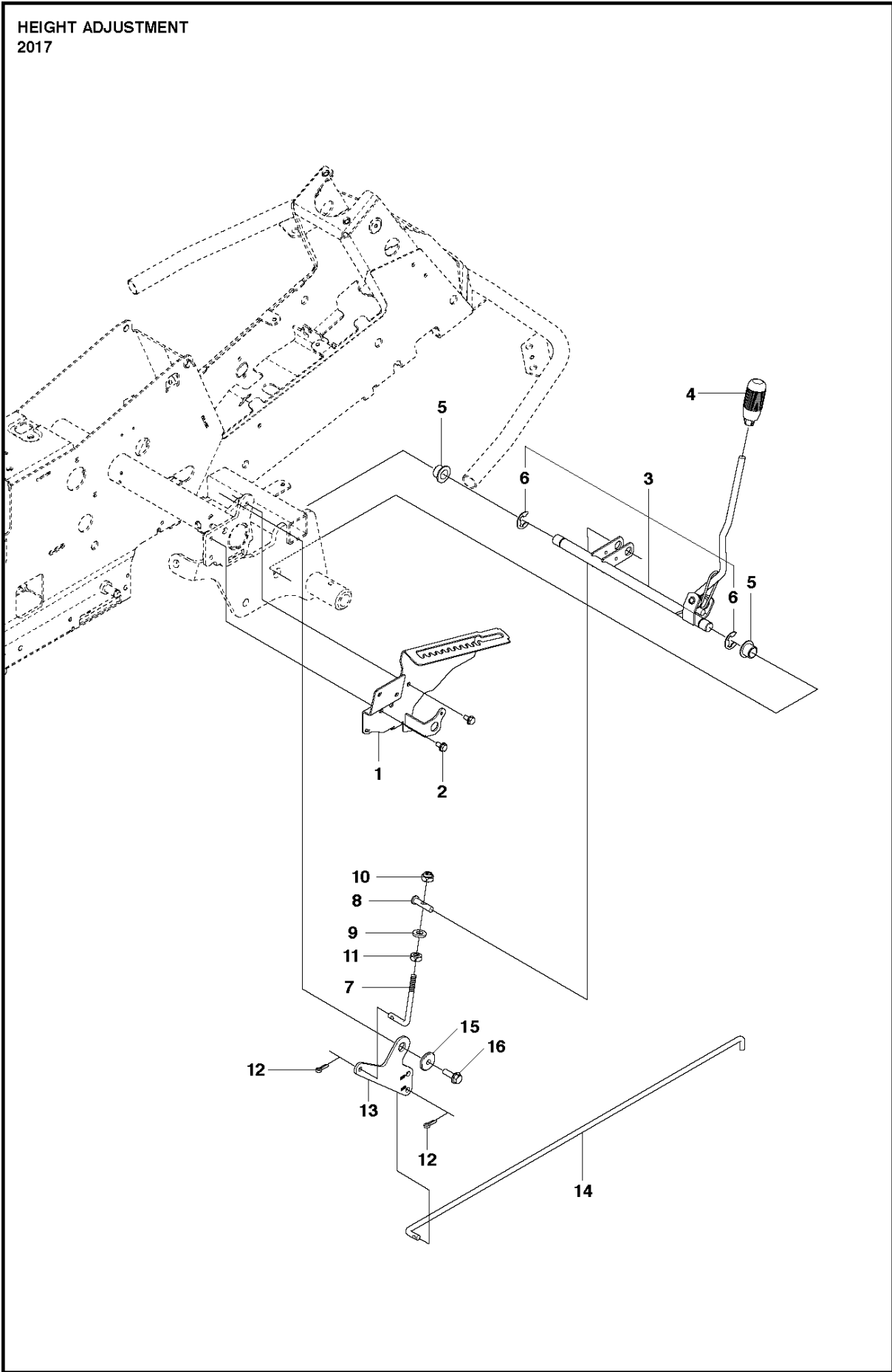
B R316T AWD
FUEL SYSTEM



FUEL SYSTEM

R316 T AWD, 967291701, 2017

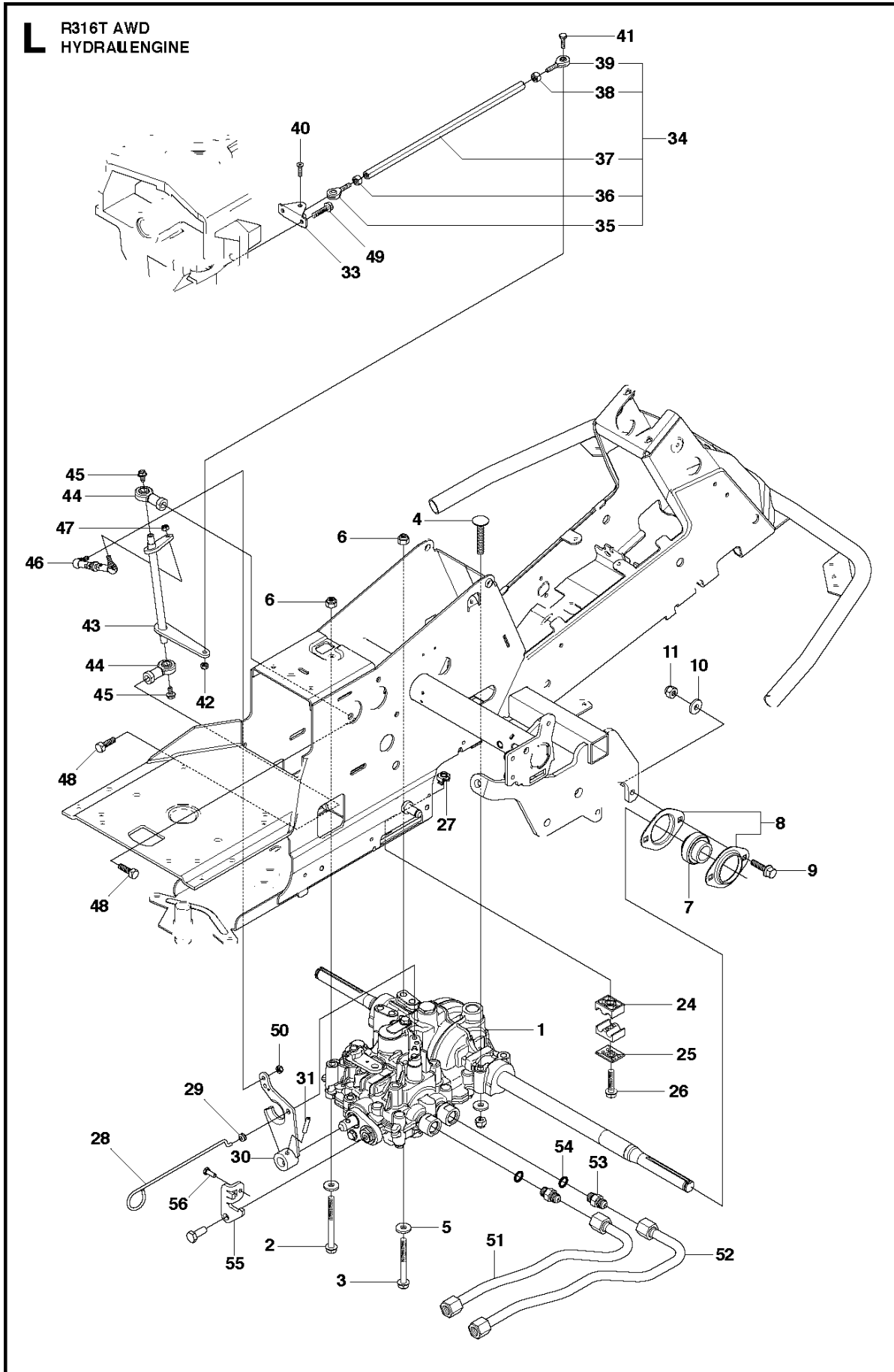
Ref	Part No	Description	Remark	QTY KIT
1	577 91 50-01	FUEL TANK		1
2	578 05 38-01	BRACKET		1
3	732 21 16-01	NUT		1
5	532 43 96-45	HUB CAP		1
6	504 80 00-10	FUEL HOSE		1
7	535 46 97-01	HOSE BRACE		2
8	725 23 64-61	SCREW EHHFT		1
10	725 24 93-71	SCREW EHHM		1
11	578 26 15-01	WIRE		1



HEIGHT ADJUSTMENT

R316 T AWD, 967291701, 2017

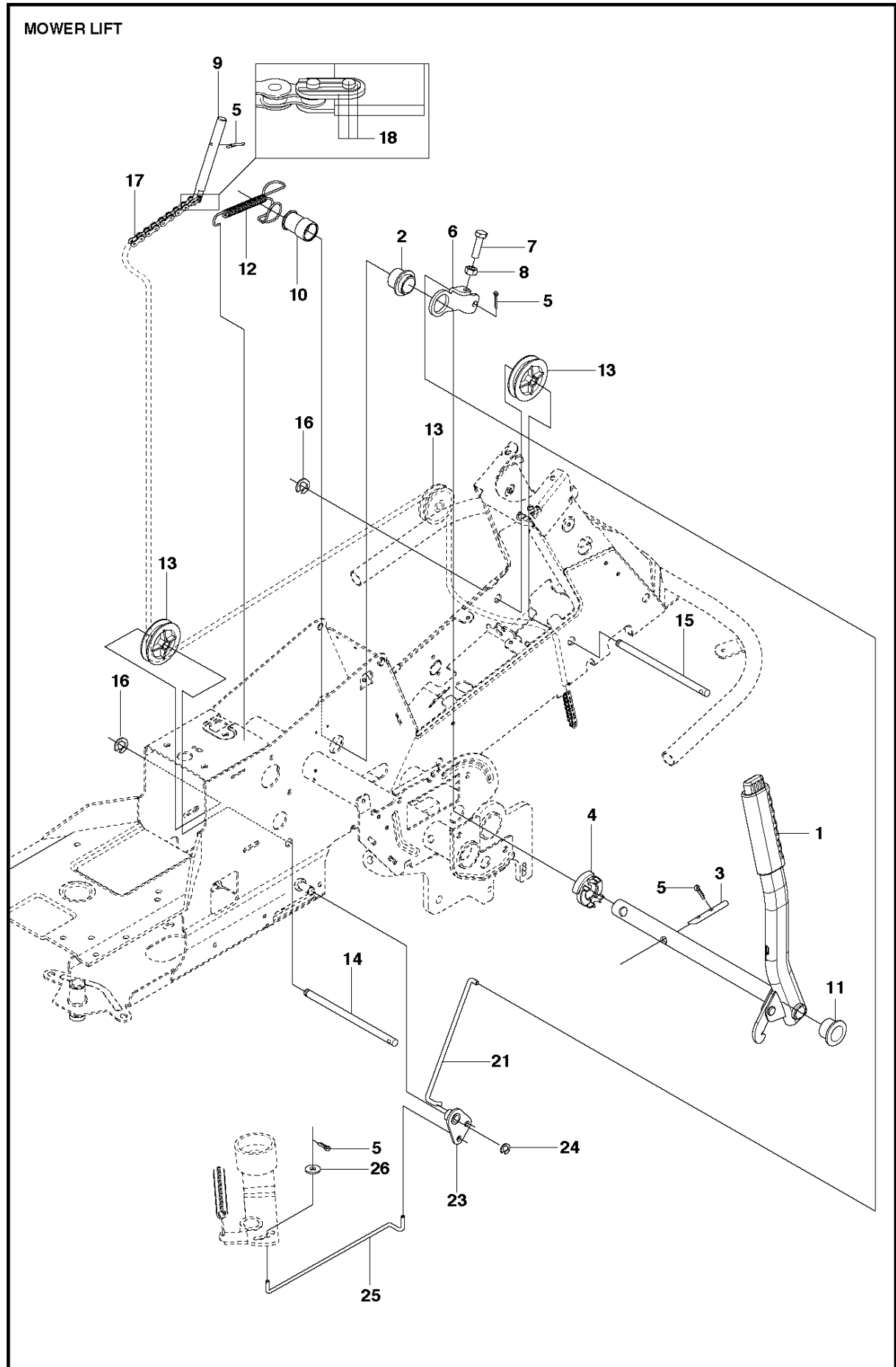
Ref	Part No	Description	Remark	QTY KIT
1	578 00 13-02	BRACKET		1
2	506 57 01-03	SCREW EHHFM		2
3	577 99 99-01	ADJUSTER		1
4	506 54 20-01	HANDLE		1
5	584 87 13-02	BEARING		2
6	735 31 22-20	E-CLIP		2
7	506 90 82-01	HEIGHT ROD		1
8	506 78 46-01	PEN		1
9	734 11 72-01	WASHER		1
10	732 21 18-01	LOCK NUT		1
11	731 23 18-01	HEXAGON NUT		1
12	721 61 83-01	SPLIT PIN		2
13	578 04 07-01	LINK		1
14	523 11 45-01	CONNECTION ROD		1
15	584 28 86-01	WASHER		1
16	506 57 01-05	SCREW EHHFM		1



HYDRAULIC PUMP - MOTOR

R316 T AWD, 967291701, 2017

Ref	Part No	Description	Remark	QTY	KIT
1	575 48 43-01	TRANSMISSION		1	
2	725 24 67-51	SCREW EHHM		1	
3	725 24 64-51	SCREW EHHM		1	
4	535 42 38-03	SCREW RSQM		1	
5	734 11 64-01	WASHER		3	
6	732 21 18-01	LOCK NUT		3	
7	544 00 89-02	BEARING		1	
8	544 00 90-02	BEARING HOUSING		2	
9	506 57 01-05	SCREW EHHFM		2	
10	734 11 64-01	WASHER		2	
11	732 21 18-01	LOCK NUT		2	
24	544 37 33-02	PIPE CLAMP		1	
25	544 37 38-02	COVER PLATE		1	
26	506 57 01-07	SCREW EHHFM		1	
27	544 81 17-01	CAGE NUT		1	
28	535 49 97-01	ARM		1	
29	503 73 58-01	BUSHING		1	
30	578 29 19-01	LEVER		1	
31	721 43 47-01	SPRING PIN		1	
33	535 49 28-02	BRACKET		1	
34	544 45 67-03	ROD		1	
35	535 48 66-02	ROD END		1	34
36	503 22 10-18	HEXAGON NUT		1	34
37	535 48 65-03	ROD		1	34
38	731 23 16-01	HEXAGON NUT		1	34
39	535 48 66-01	ROD END		1	34
40	544 84 17-01	SCREW		1	
41	725 23 70-71	SCREW EHHM		1	34
42	732 21 16-01	NUT		1	
43	535 49 74-02	LEVER		1	
44	506 95 17-01	ROD END		2	
45	535 47 52-12	SCREW EHHFM		2	
46	544 44 19-01	ADJUSTMENT ROD		1	
47	732 21 16-01	NUT		1	
48	725 24 93-71	SCREW EHHM		2	
49	725 23 66-51	HEXAGONAL SCREW M6X12		2	
50	732 21 16-01	NUT		3	
51	544 80 80-01	HYDRAULIC PIPE		2	
52	544 80 79-01	HYDRAULIC PIPE		2	
53	535 42 68-06	PIPE FITTING		2	
54	505 45 11-01	O-RING		2	
55	578 04 78-01	BRACKET		1	
56	725 23 68-61	SCREW EHHFT		1	



MOWER LIFT / DECK LIFT

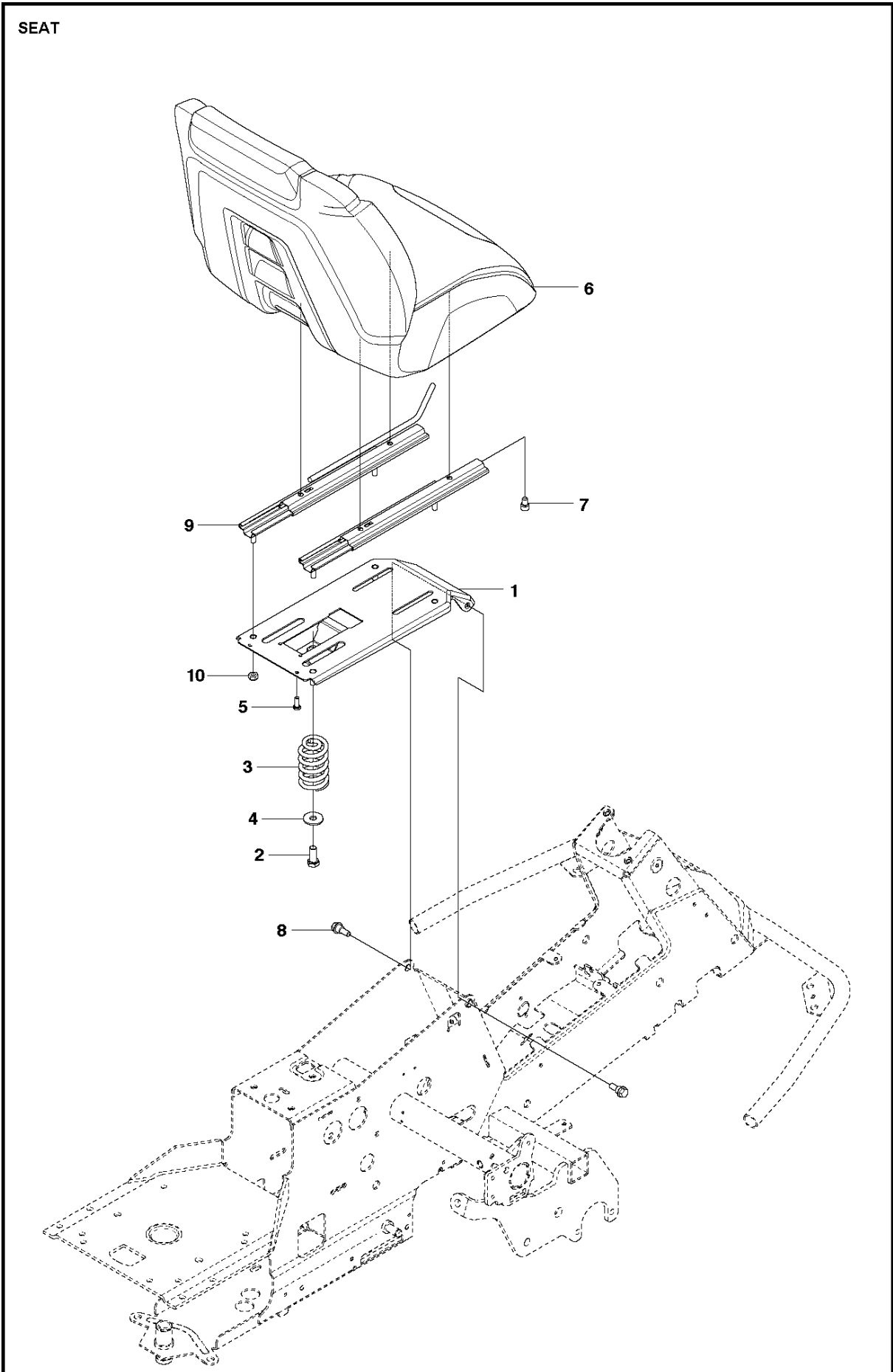
R316 T AWD, 967291701, 2017

Ref	Part No	Description	Remark	QTY KIT
1	501 06 53-01	LIFTING LEVER ASSY		1
2	588 92 69-01	BEARING		1
3	525 40 66-01	PEN		1
4	588 92 71-01	ANVIL		1
5	721 61 83-01	SPLIT PIN		4
6	588 92 70-01	LIFTING ARM		1
7	725 24 97-51	SCREW		1
8	731 23 20-01	HEXAGON NUT		1
9	588 92 74-01	ROD		1
10	588 92 73-01	ANVIL		1
11	584 87 13-01	BEARING		1
12	588 92 75-01	SPRING		1
13	506 90 56-01	OFFSET PULLEY		2
14	582 87 19-01	SHAFT		1
15	582 87 19-02	SHAFT		1
16	735 31 18-20	E-CLIP		2
17	506 55 46-09	CHAIN		1
18	506 55 47-01	LINKAGE		1
21	544 45 69-01	CONNECTION ROD		1
23	544 37 86-01	LINK		1
24	735 31 14-20	E-CLIP		1
25	544 44 88-01	CONNECTION ROD		1
26	734 11 64-41	WASHER		1

PEDALS

R316 T AWD, 967291701, 2017

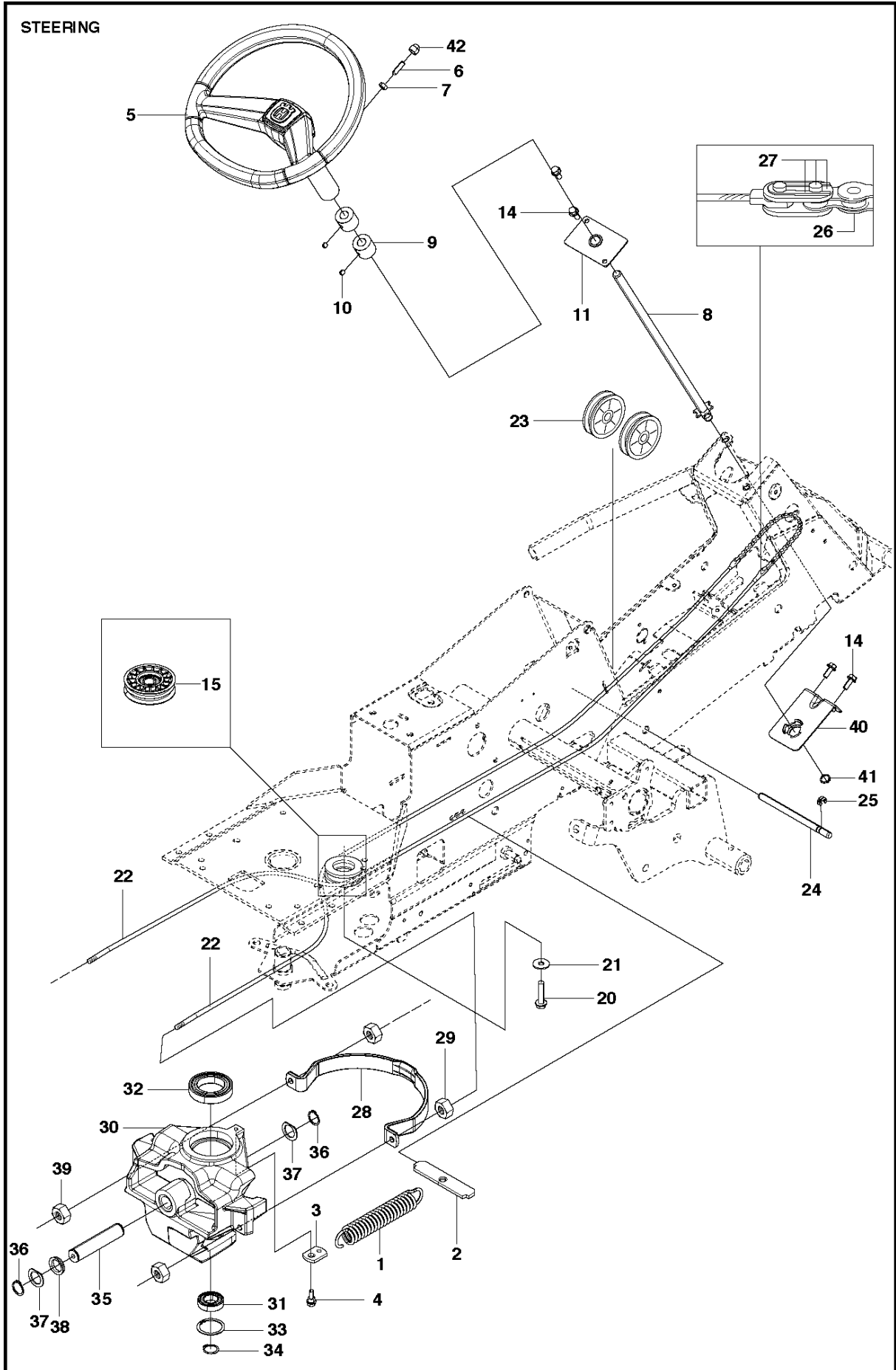
Ref	Part No	Description	Remark	QTY	KIT
1	544 12 60-01	PEDAL PLATE ASSY		1	
2	535 47 37-01	KNOB		1	
3	506 57 01-04	SCREW EHHFM		4	
4	544 40 31-01	BRAKE LEVER ASSY		1	
6	506 94 63-01	BRAKE SPRING		1	
7	576 71 21-01	BRAKE WIRE		1	
8	735 31 09-20	E-CLIP		1	
10	574 41 12-02	CONTROL CABLE		1	
11	506 55 73-01	VINKELL.AS8 DIN71802		2	
12	732 21 14-01	LOCK NUT		2	
13	731 23 14-01	HEXAGON NUT		2	
14	522 43 08-01	BRACKET		1	
15	725 23 64-61	SCREW EHHFT		4	
16	738 21 02-04	BALL BEARING		1	
17	535 48 02-01	ROLLER		1	1
18	535 48 06-01	PROTECTIVE PLATE		1	1
19	535 48 07-01	SPRING		1	1
20	535 48 08-01	BEARING SUPPORT		4	1
21	535 48 09-01	BEARING SUPPORT		5	1
22	535 48 10-01	REINFORCEMENT PLATE		3	1
23	535 47 88-01	PEDAL RUBBER		1	1
24	535 47 88-02	PEDAL RUBBER		1	1
25	506 57 64-02	CABLE HOLDER		1	1
26	506 56 65-01	CLIP		1	



SEAT

R316 T AWD, 967291701, 2017

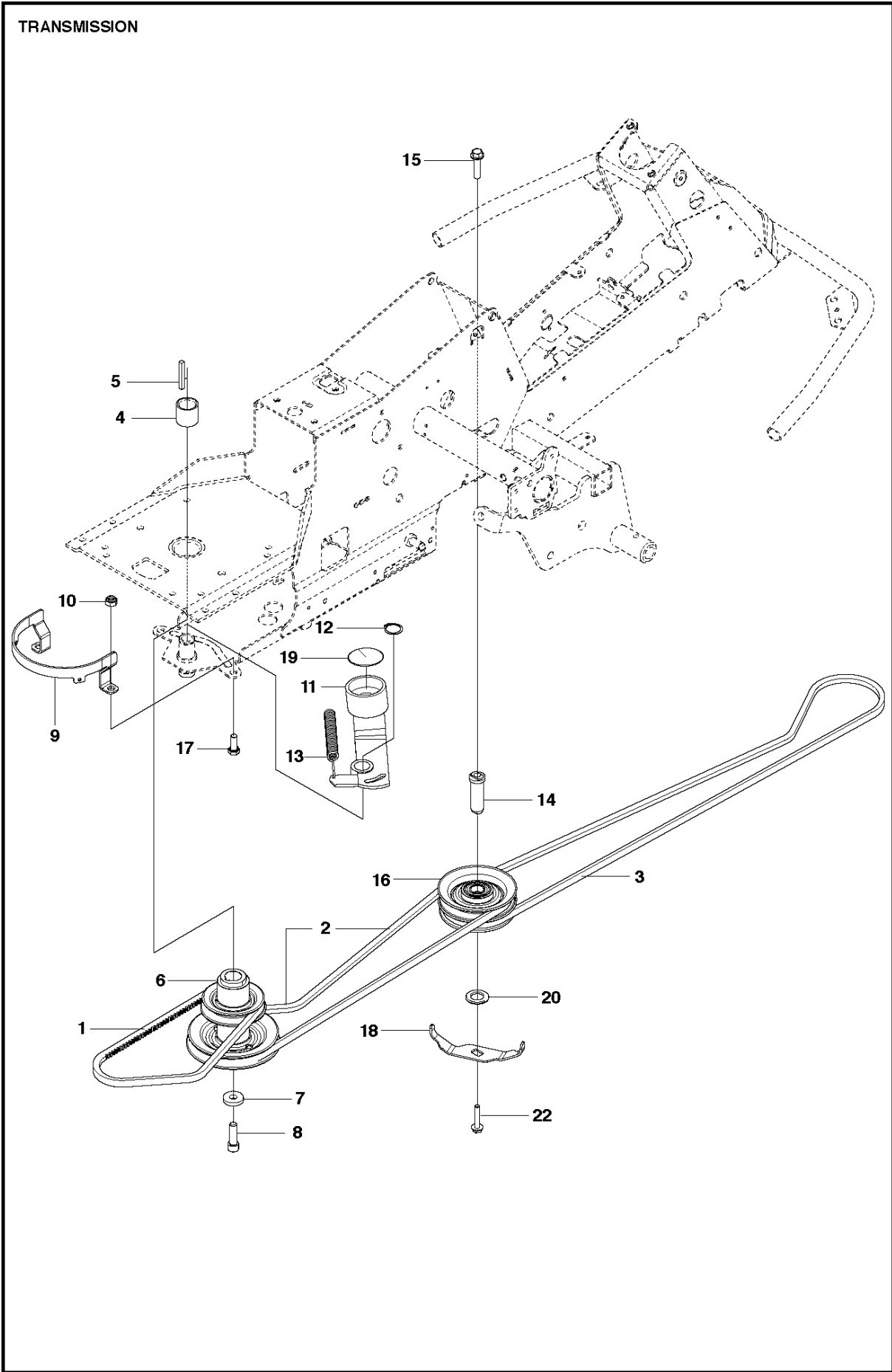
Ref	Part No	Description	Remark	QTY KIT
1	587 15 27-01	SEAT BRACKET		1
2	725 24 93-71	SCREW EHHM		1
3	506 91 53-01	COMPRESSION SPRING		1
4	734 11 74-41	WASHER		1
5	725 23 68-61	SCREW EHHFT		1
6	587 39 30-01	SEAT		1
7	725 54 47-01	SCREW IHSCM		4
8	506 59 74-01	SCREW EHHFM		2
9	587 29 04-01	SEAT ADJUSTER		2
10	732 21 18-01	LOCK NUT		4



STEERING

R316 T AWD, 967291701, 2017

Ref	Part No	Description	Remark	QTY KIT
1	506 67 19-01	SPRING		1
2	506 57 63-01	SPRING RETAINER		1
3	506 67 08-01	LINK		1
4	506 59 74-01	SCREW EHHFM		1
5	577 96 04-01	STEERING WHEEL		1
6	728 74 55-05	SCREW IHSETM		1
7	731 23 18-01	HEXAGON NUT		1
8	583 90 88-01	STEERING ROD		1
9	506 86 34-01	DRIVER		2
10	728 84 43-05	SCREW IHSETM		2
11	584 15 56-01	BRACKET		1
14	506 57 01-04	SCREW EHHFM		4
15	576 49 25-01	PULLEY		1
20	506 67 54-03	SCREW EHHFM		1
21	734 11 74-41	WASHER		1
22	577 19 99-04	WIRE ASSY		2
23	506 52 24-01	STARTER PULLEY		2
24	506 53 94-03	SHAFT		1
25	735 31 14-20	E-CLIP		2
26	506 55 46-01	CHAIN		1
27	506 55 47-01	LINKAGE		2
28	544 42 73-01	WIRE GUIDE		1
29	731 23 20-01	HEXAGON NUT		2
30	577 65 93-01	SPINDLE		1
31	738 21 05-04	BALL BEARING		1
32	738 21 10-04	BALL BEARING		1
33	735 31 40-10	CIRCLIP		1
34	735 31 26-00	CIRCLIP		1
35	506 98 59-01	SWING AXLE		1
36	735 31 26-00	CIRCLIP		2
37	506 77 34-01	WASHER		2
38	740 68 14-21	V-RING		1
39	732 21 20-51	NUT		2
40	583 89 97-01	BRACKET		1
41	735 31 17-00	CIRCLIP		1
42	544 43 32-01	PROTECTIVE COVER		1

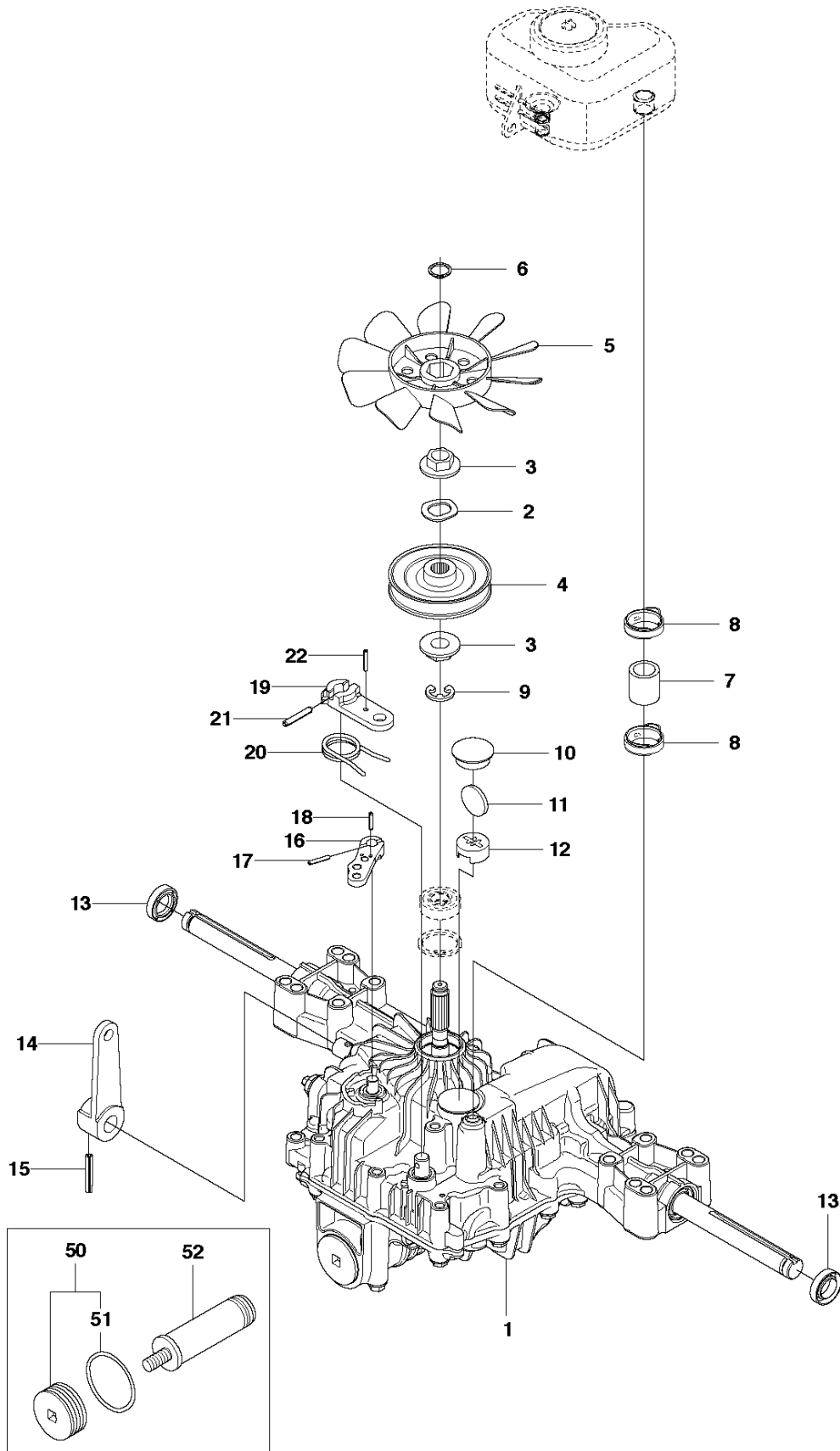


TRANSMISSION

R316 T AWD, 967291701, 2017

Ref	Part No	Description	Remark	QTY KIT
1	522 93 03-01	BELT		1
2	544 40 02-01	BELT		1
3	585 03 45-01	BELT		1
4	506 50 92-01	SPACING SLEEVE		1
5	506 55 59-01	WEDGE		1
6	535 48 24-01	PULLEY		1
7	506 59 75-01	WASHER		1
8	506 55 60-02	SCREW UNC		1
9	587 42 52-01	BELT GUIDE		1
10	732 21 20-51	NUT		2
11	535 48 44-01	BELT TENSIONER ASSY		1
12	735 31 26-00	CIRCLIP		1
13	506 66 56-01	SPRING		1
14	581 91 64-01	SHAFT		1
15	506 67 54-02	SCREW EHHFM		1
16	535 48 22-01	MELLANHJUL		1
17	725 24 93-71	SCREW EHHM		2
18	544 40 53-01	BELT GUIDE		1
19	535 48 50-01	SEALING		1
20	586 32 02-01	DISTANCE		1
22	586 32 04-01	SCREW		1

K574

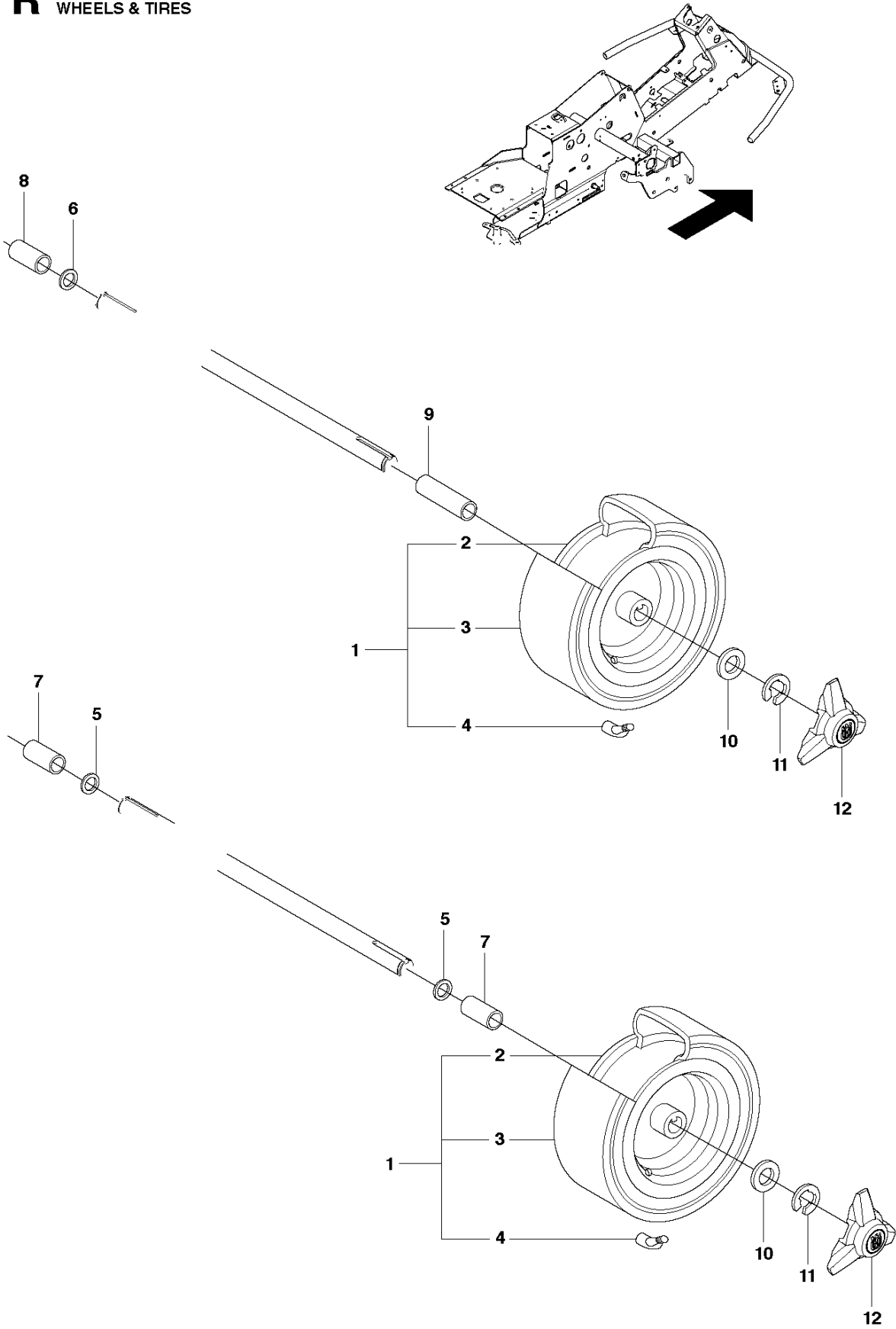


TRANSMISSION

R316 T AWD, 967291701, 2017

Ref	Part No	Description	Remark	QTY	KIT
1	544 11 61-01	TRANSMISSION		1	
2	506 98 65-01	SPRING WASHER		1	
3	506 98 66-01	DISTANCE		2	
4	502 45 19-01	PULLEY		1	
5	506 98 68-01	FAN		1	
6	735 31 15-00	CIRCLIP		1	
7	502 45 16-01	TUBE		1	
8	506 98 70-01	HOSE CLAMP		2	
9	535 40 28-07	CLIP		1	1
10	535 40 28-32	PLUG		1	1
11	535 40 28-29	MAGNET		1	1
12	502 45 20-01	MAGNET HOLDER		1	1
13	535 40 28-37	SEALING		2	1
14	502 45 32-01	CONTROL LEVER		1	1
15	535 40 28-09	PIN RETAINING SCREW		1	1
16	535 40 28-17	LEVER		1	1
17	535 40 28-16	PIN RETAINING SCREW		1	1
18	535 40 28-33	PIN RETAINING SCREW		1	1
19	535 40 28-38	LEVER		1	1
20	535 40 28-39	RETURN SPRING		1	1
21	535 40 28-40	PIN RETAINING SCREW		1	1
22	535 40 28-41	PIN RETAINING SCREW		1	1
50	574 51 51-01	KIT		1	
51	574 51 52-01	O-RING		1	50
52	535 40 28-19	FILTER		1	

R R316T AWD
WHEELS & TIRES



WHEELS & TIRES

R316 T AWD, 967291701, 2017

Ref	Part No	Description	Remark	QTY	KIT
1	523 01 26-02	WHEEL		4	
2	523 03 48-01	RIM		1	1
3	523 03 46-02	TYRE		1	1
4	523 03 47-01	VALVE		1	1
5	506 50 48-03	WASHER		2	
6	506 94 58-01	WASHER		1	
7	506 59 62-03	SPACING SLEEVE		2	
8	544 13 26-01	SLEEVE		1	
9	544 13 26-02	SLEEVE		1	
10	506 50 48-05	WASHER		4	
11	506 89 90-01	E-CLIP		4	
12	544 35 35-01	HUB CAP		4	