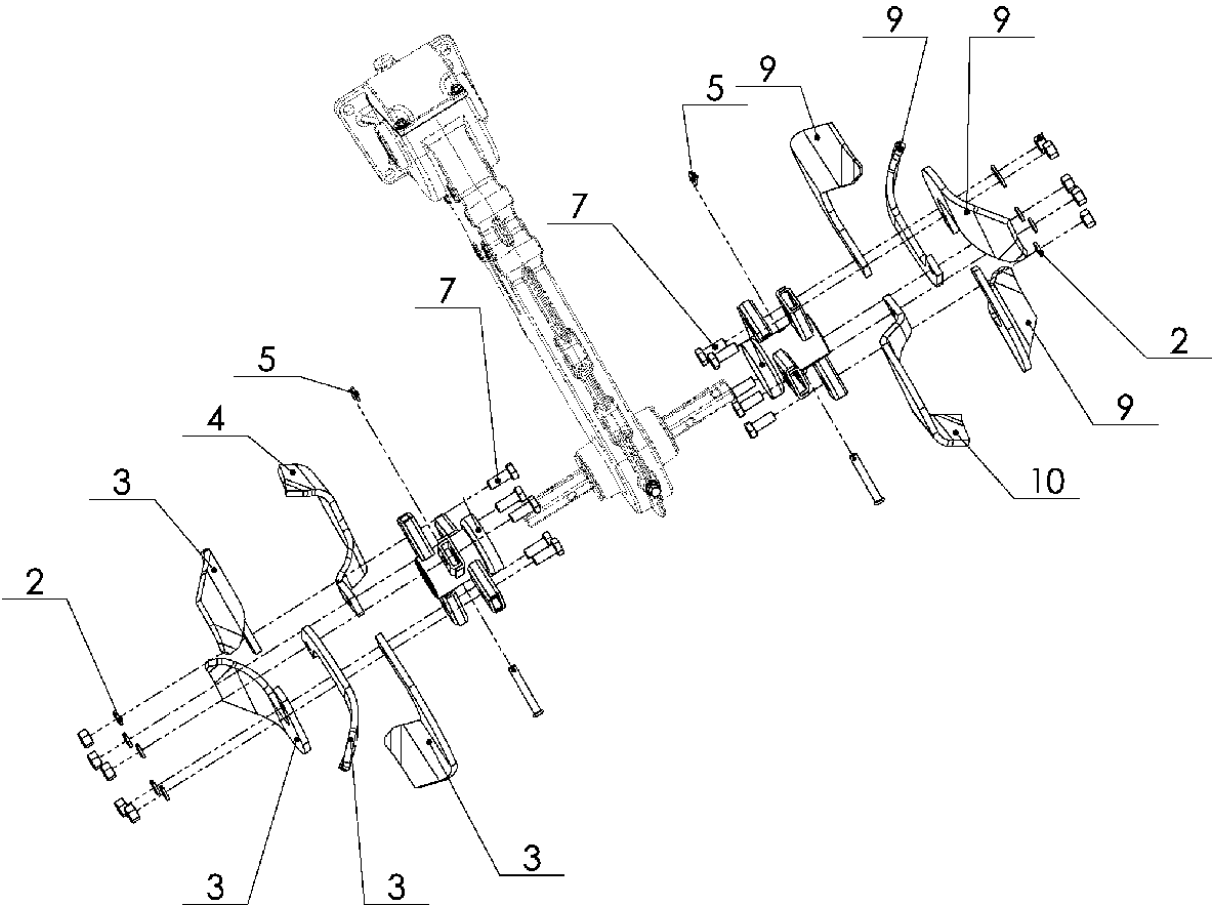




SPARE PARTS LIST

ACCESSORIES AND TOOLS

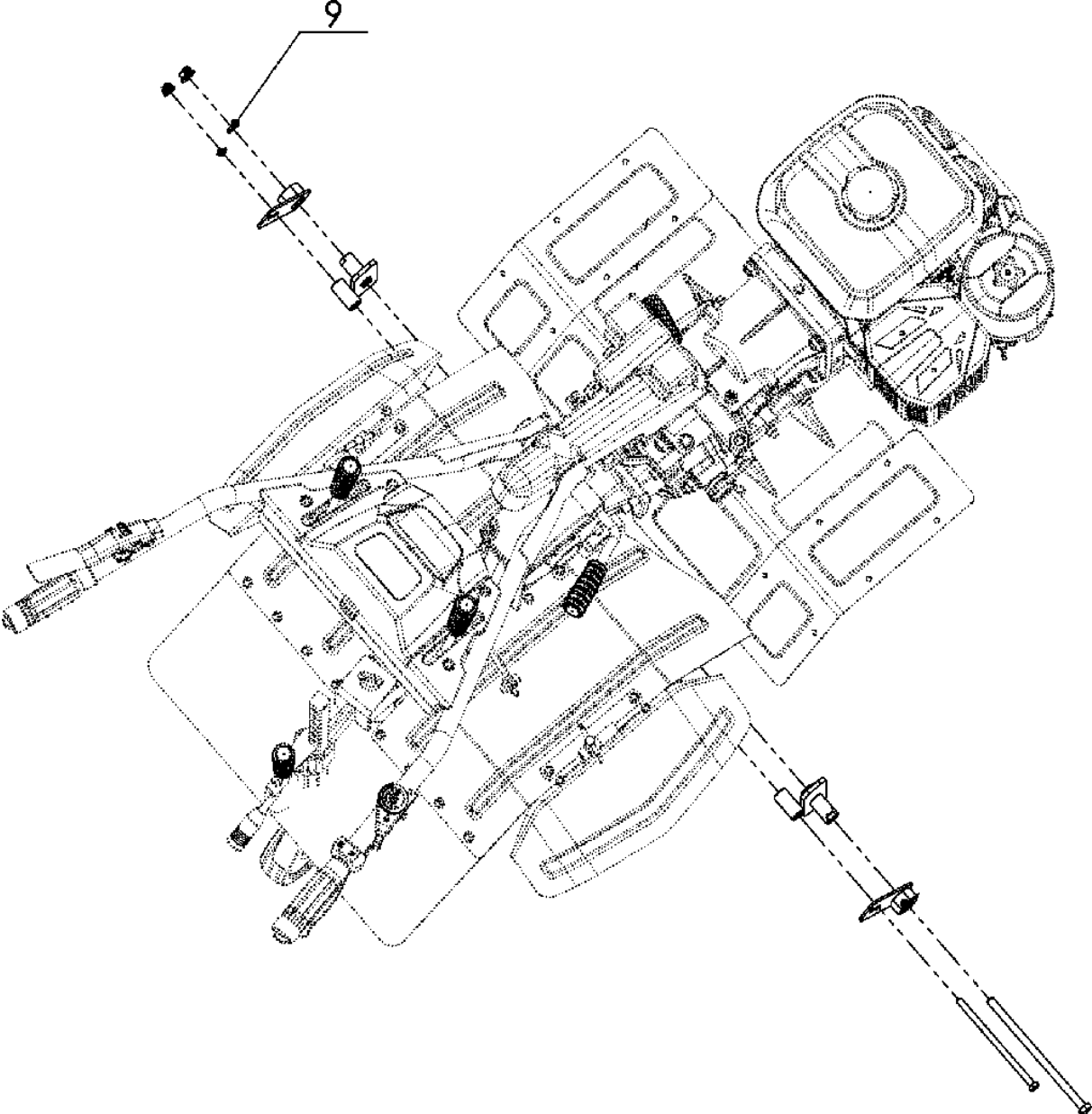
DITCHER, 590365901, 2017-12



ARMREST CONTROLS

DITCHER, 590365901, 2017-12

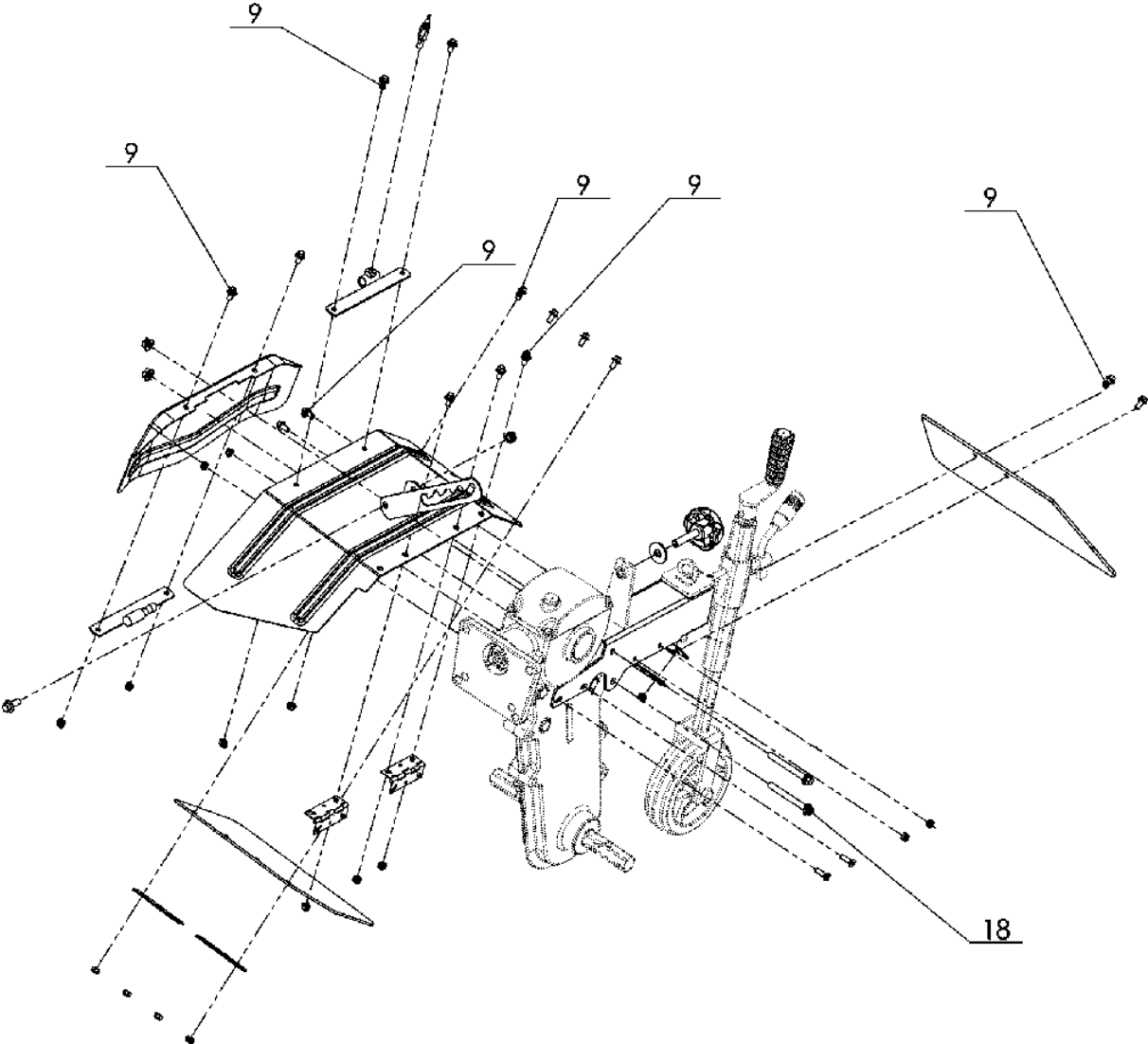
Ref	Part No	Description	Remark	QTY KIT
2	593 60 14-54	WASHER	Spring washer 10	10
3	593 60 14-08	BLADE	Left blade I	4
4	593 60 14-38	BLADE	Left blade II	1
5	593 60 14-27	CLAMP	Clamp B	2
7	593 60 14-11	BOLT	M10x25	10
9	593 60 14-08	BLADE	Right blade I	1
10	593 60 14-47	BLADE	Right blade II	2



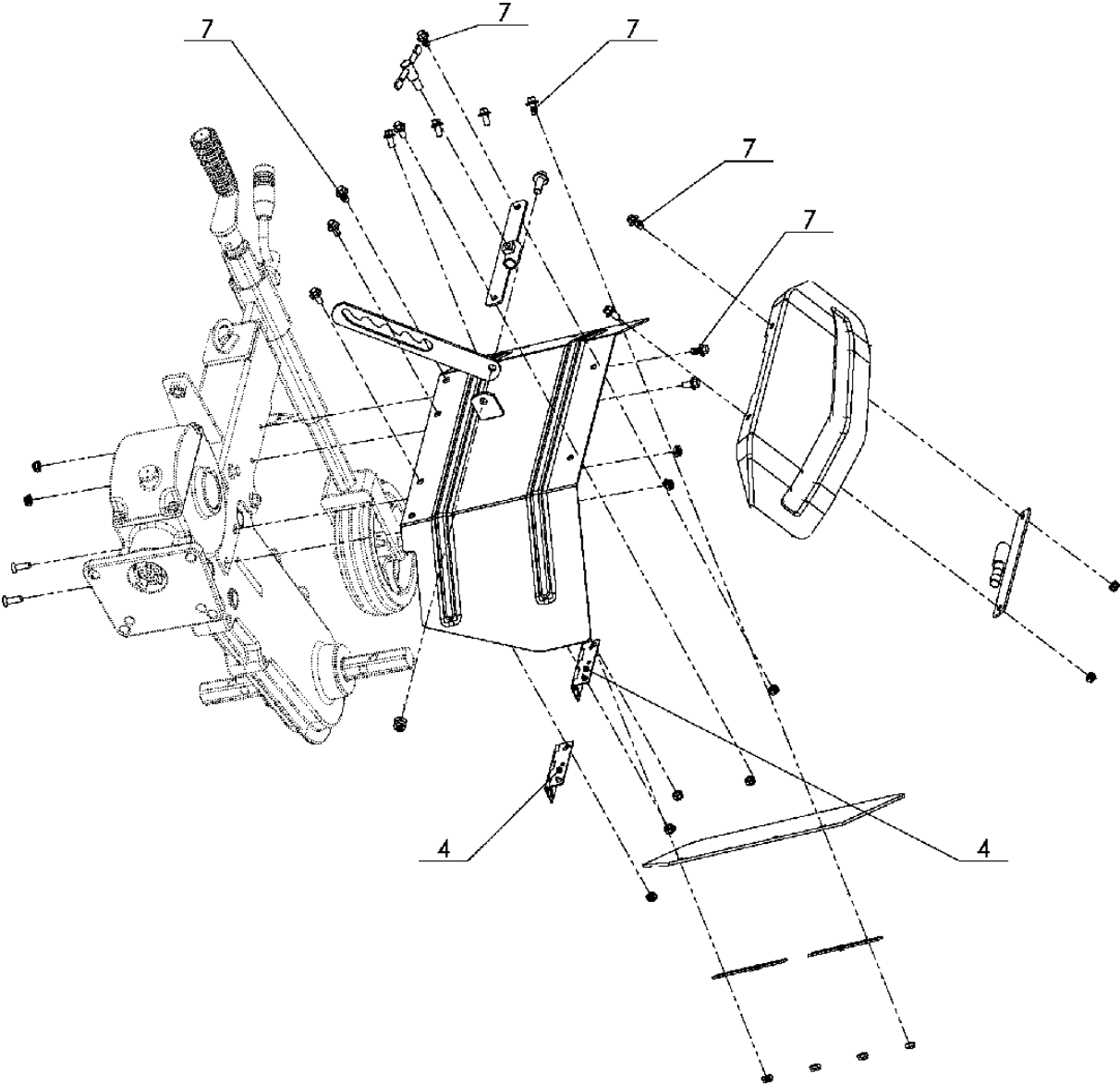
CONNECTING PARTS

DITCHER, 590365901, 2017-12

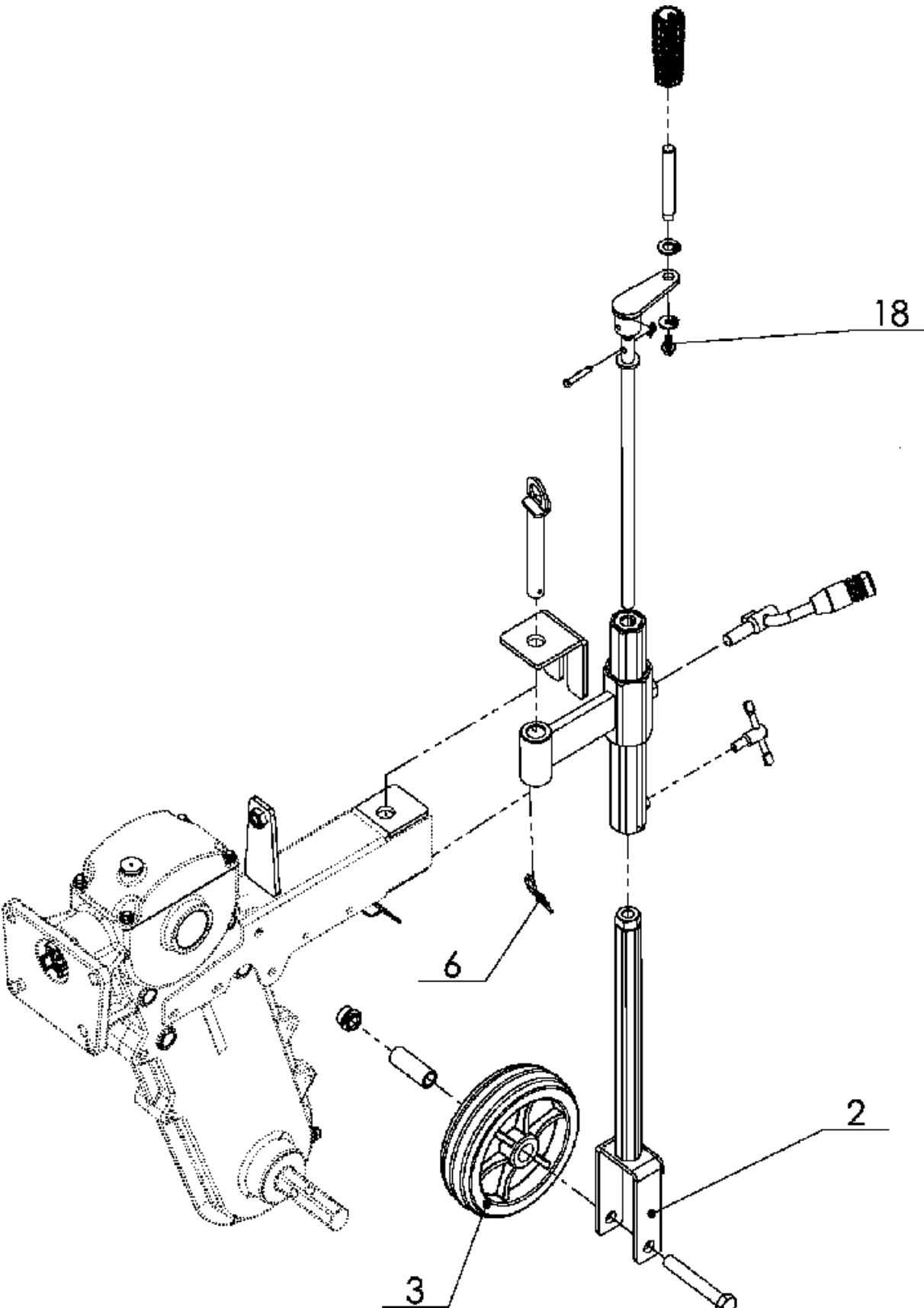
Ref	Part No	Description	Remark	QTY KIT
9	593 60 14-54	WASHER	Spring Washer 10	1



Ref	Part No	Description	Remark	QTY KIT
9	587 97 94-01	BOLT	M6x12	13
18	593 60 14-37	HINGE		2



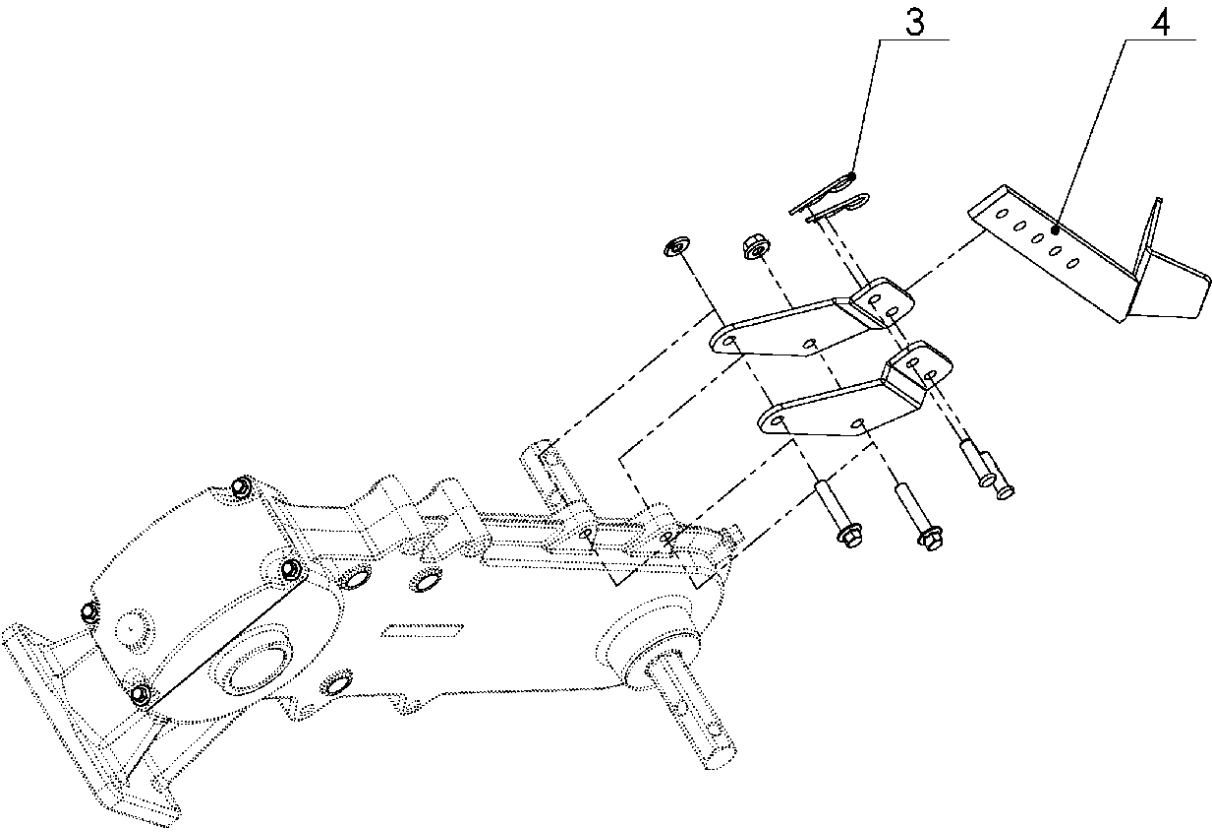
Ref	Part No	Description	Remark	QTY KIT
4	593 60 14-37	HINGE		2
7	587 97 94-01	BOLT	M6x12	14



REAR WHEEL

DITCHER, 590365901, 2017-12

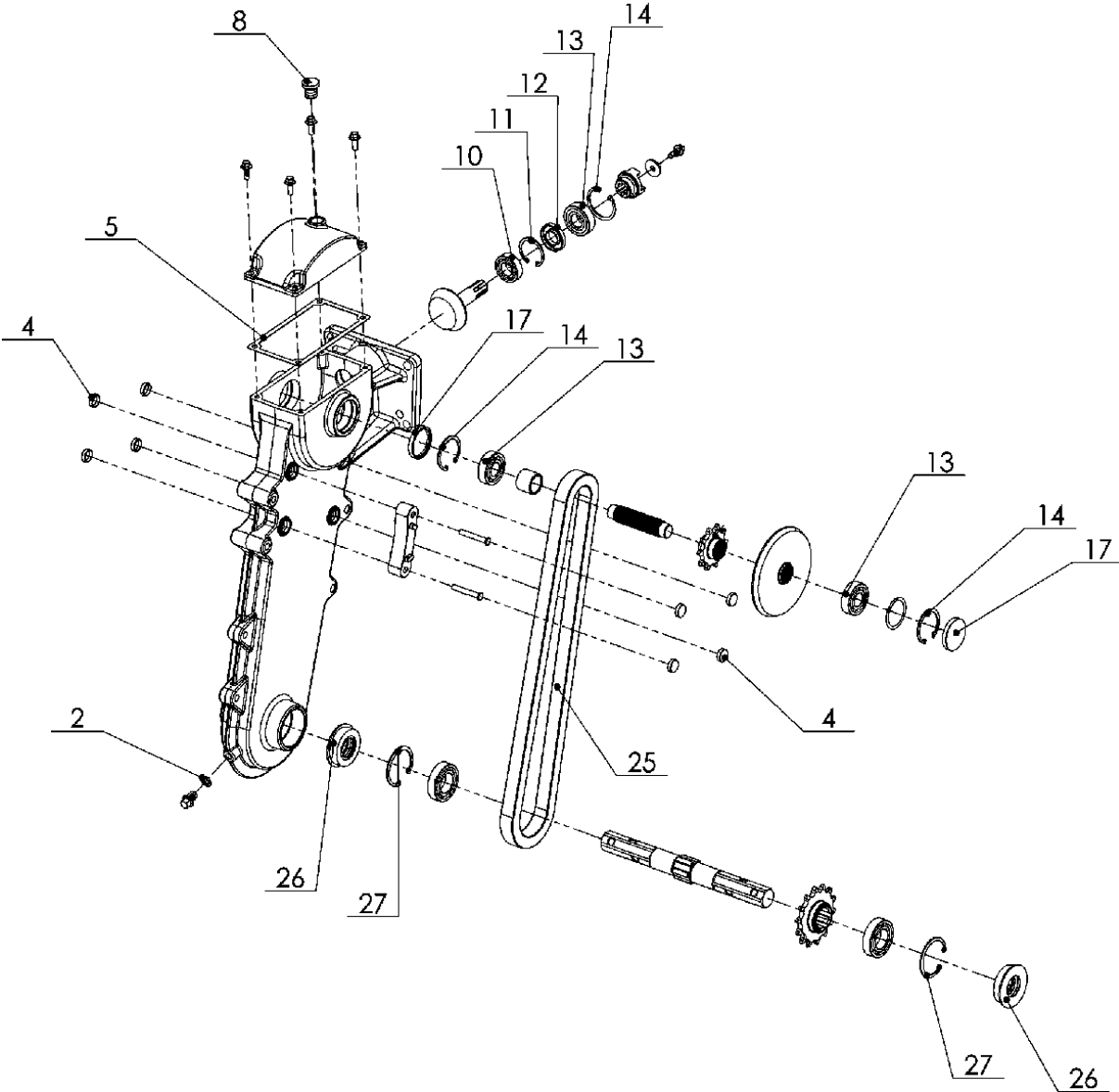
Ref	Part No	Description	Remark	QTY KIT
2	593 60 14-45	SUPPORT	Rear support	1
3	593 60 14-46	WHEEL	Rear wheel, 150x46	1
6	593 60 14-27	CLAMP	Clamp B	1
18	587 97 94-01	BOLT	M6x12	1



SHOVEL

DITCHER, 590365901, 2017-12

Ref	Part No	Description	Remark	QTY KIT
3	593 60 14-27	CLAMP	Clamp B	1
4	593 60 14-52	SHOVEL	Soil support	1



TRANSMISSION

DITCHER, 590365901, 2017-12

Ref	Part No	Description	Remark	QTY KIT
2	589 91 14-01	WASHER	Alu washer 15x10x2	1
4	593 60 14-41	PLUG	Oil plug B	8
5	593 60 14-36	GASKET		1
8	593 60 14-50	PLUG	Rubber plug	1
10	593 60 14-07	BEARING	Bearing 6003	1
11	593 60 14-18	CIRCLIP	Circlip 35	1
12	593 60 14-42	SEAL	Oil Seal 17x35x6	1
13	593 60 14-06	BEARING	Bearing 6203-2Z	1
14	593 60 14-19	CIRCLIP	Circlip 40	3
17	593 60 14-44	PLUG	Oli plug 40x6	1
25	593 60 14-12	CHAIN	1-62-520HF3	1
26	593 60 14-43	SEAL	Oil seal TC6Y25x47x54x13x4	2
27	593 60 14-20	CIRCLIP	Circlip 47	1