

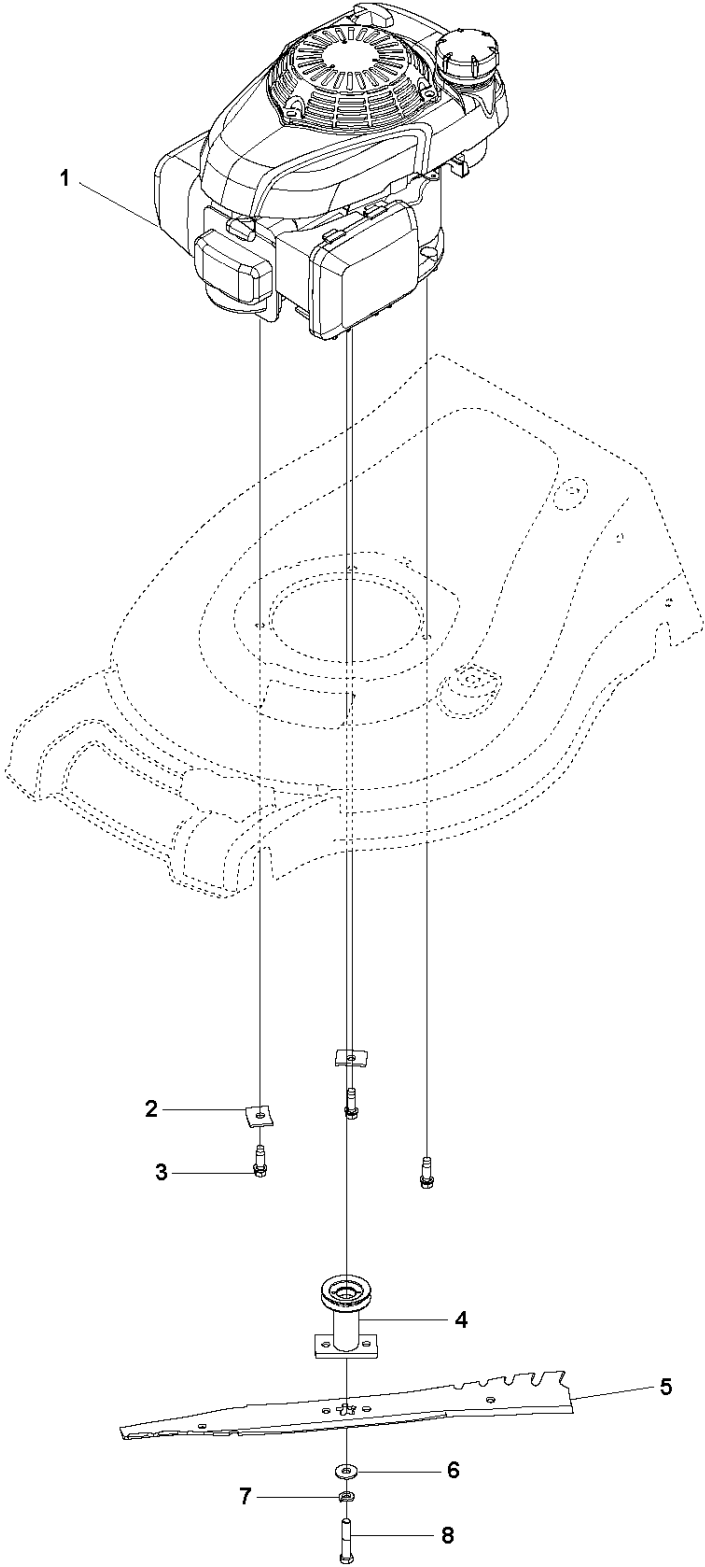


SPARE PARTS LIST

LAWN MOWERS: CONSUMER
WALK-BEHINDS

L221A, 96148006300, 2017-09

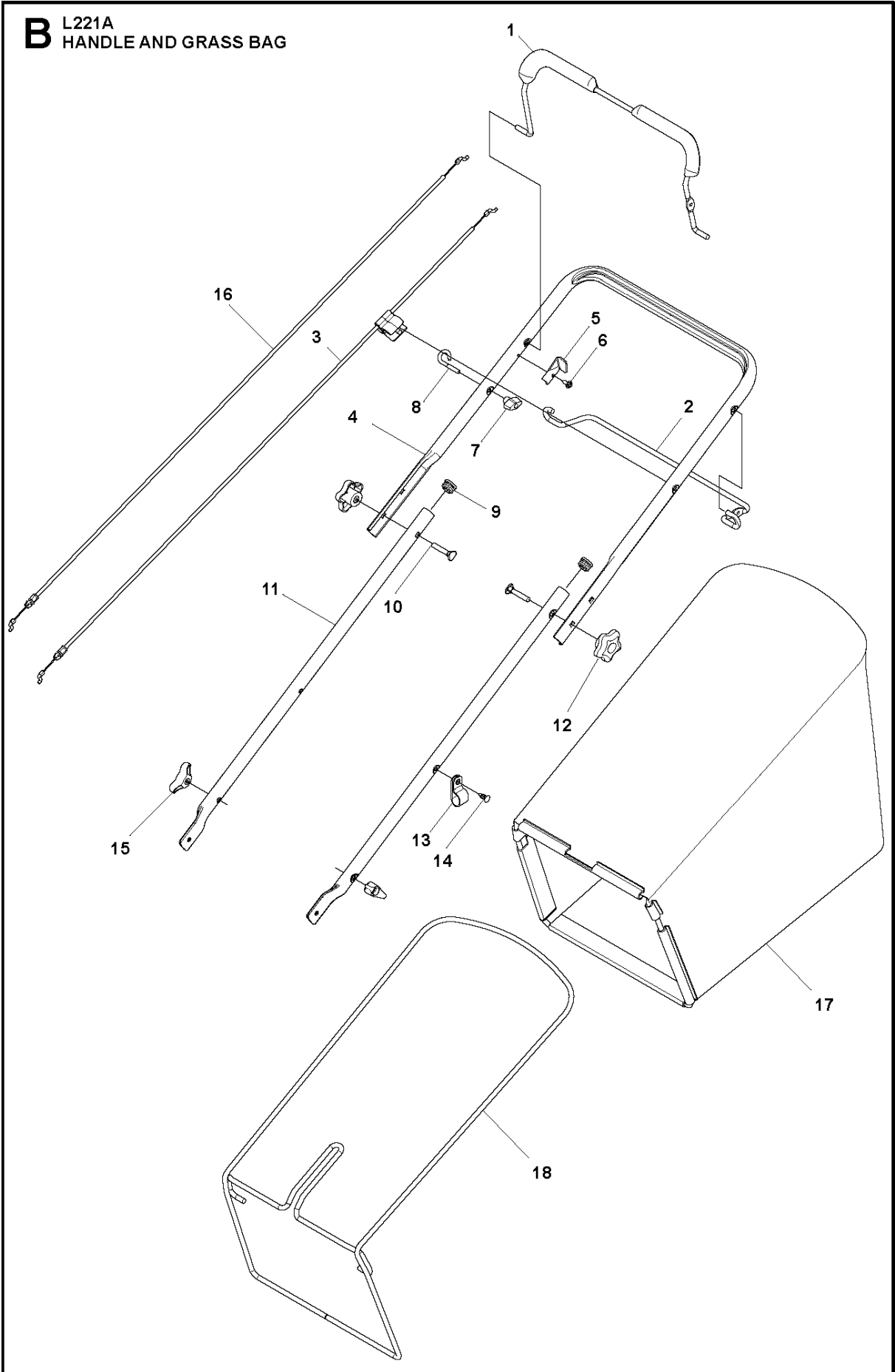
C L221A
ENGINE



ENGINE

L221A, 96148006300, 2017-09

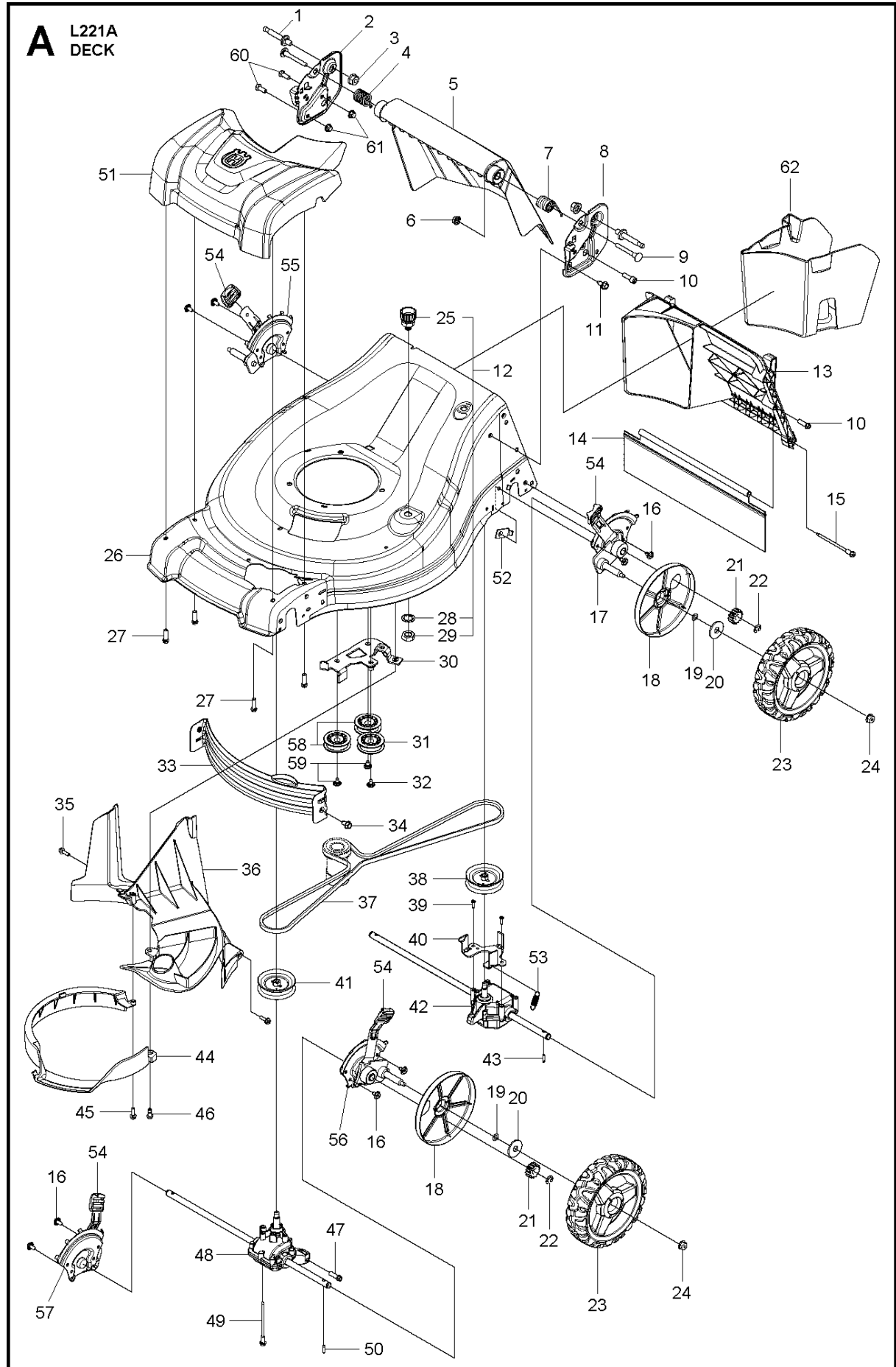
Ref	Part No	Description	Remark	QTY KIT
1	000 00 00-00	W/O DESCRIPTION	HONDA GCV160-LAOS3B FOR SERVICE & PARTS 1-800-426-7701	1
2	532 12 50-78	WASHER	Engine	1
3	532 15 04-06	BOLT	3/8-16	1
4	590 04 42-01	ADAPTER	25mm	1
5	586 85 96-02	BLADE	High Lift	1
6	532 85 10-74	WASHER	Hardened	1
7	532 85 02-63	WASHER	3/8, Helical Spring	1
8	582 38 84-01	BOLT	Hex Head Machine Screw	1
	115 93 79-27	OPERATOR'S MANUAL	OPERATOR MANUAL ENGLISH	1
	115 93 79-46	OPERATOR'S MANUAL	OPERATOR MANUAL SPANISH	1
	115 93 79-31	OPERATOR'S MANUAL	OPERATOR MANUAL FRENCH	1
	591 10 15-19	MANUAL	IPL (REPLACEMENT PARTS)	1



HANDLE

L221A, 96148006300, 2017-09

Ref	Part No	Description	Remark	QTY KIT
1	587 47 83-02	BAIL ARM ASSY	Straight	1
2	532 19 84-53	BAR	Drive, Straight	1
3	532 44 03-85	CABLE	Operator Presence Bail	1
4	589 19 79-02	HANDLEBAR	Straight	1
5	532 43 00-34	BRACKET	Upstop	1
6	532 17 88-48	SCREW	10-16 X 5/8	1
7	581 91 26-01	KNOB	T, Rope Guide	1
8	581 90 21-01	GUIDE	Rope	1
9	532 43 75-16	PLUG	Plastic, 7/8, 14-20 Gauge	2
10	588 04 04-01	BOLT	Concave Head, Retaining	2
11	501 06 40-02	HANDLEBAR	Lower 2 piece, 3 Position	1
12	532 18 23-98	KNOB	Handle, Star	2
13	532 19 79-91	CLIP	P/Cable	1
14	532 42 81-24	FASTENER	Push, 0.250 X 0.783	1
15	532 19 19-38	KNOB	Handle, Standard	2
16	582 59 86-01	DRIVE CABLE	Drive, Under-bail	1
17	587 10 04-09	GRASS BAG ASSY	Husqvarna 21" AWD	1
18	586 92 91-02	BAG FRAME	FRAME	1



MOWER DECK / CUTTING DECK

L221A, 96148006300, 2017-09

Ref	Part No	Description	Remark	QTY KIT
1	587 01 52-01	BOLT	Handle, Pivot, 5/16-18	2
2	589 19 78-02	HANDLEBAR BRACKET	Adjustable Handle, Right	1
3	587 59 99-01	NUT	Serrated Flange, 5/16-18	2
4	587 25 06-01	SPRING	Right, Door	1
5	586 13 80-01	DOOR	Rear	1
6	532 41 32-84	NUT	Flanged, 3/8-16	2
7	587 24 98-01	SPRING	Left, Door	1
8	589 19 76-02	HANDLEBAR BRACKET	Adjustable Handle, Left	1
9	587 19 89-01	BOLT	Pivot. 3/8-16	2
10	587 28 11-01	SCREW	Hi-Lo, 5/16-14 X T-45	3
11	817 00 05-10	BOLT	Hex, 5/16	2
12	532 42 11-14	WATER CONNECTOR		1
13	586 13 75-01	INSERT	Rear	1
14	586 69 88-01	GUARD	Rear	1
15	587 43 82-01	SCREW	Hi-Lo, 5/16-14 X 4.10	1
16	581 12 76-01	SCREW	1/4-20 Tri-lobe	8
17	586 92 01-11	HEIGHT ADJUSTER	4-Point, Left Rear	1
18	581 84 04-01	DUST COVER	Wheel	4
19	532 19 74-80	O-RING		4
20	532 06 77-25	WASHER	1/2 X 1-1/2 X .134	4
21	532 40 48-35	PINION	14 Tooth, AWD	4
22	812 00 00-58	E-CLIP	7/16, RE-Style	4
23	580 36 53-01	WHEEL	8 X 2, AWD	4
24	532 40 91-48	NUT	Hex Flange, 3/8-16	4
25	532 41 97-35	HOSE FITTING	Blue	1
26	501 45 78-01	HOUSING ASSY	21" AWD	1
27	584 29 94-01	SCREW EHHFT	Hi-Lo, 5/16 X 1.00	4
28	532 41 55-85	LOCKWASHER	Star	1
29	532 41 55-86	LOCKING NUT	Hex	1
30	589 29 10-02	BRACKET	Idler, AWD	1
31	587 96 92-01	PULLEY	Pulley, Idler	1
32	581 12 76-01	SCREW	1/4-20 Tri-lobe	1
33	586 69 86-01	BAFFLE	Front	1
34	817 00 05-10	BOLT	Hex, 5/16	2
35	587 59 98-01	SCREW	Hi-Lo, 13-16 X.750	2
36	586 56 04-01	BELT COVER	Belt/Rear Baffle	1
37	580 36 46-09	BELT	Drive, AWD	1
38	586 96 30-01	PULLEY	Transmission, AWD	1
39	532 16 34-09	SCREW	12 X 5/8, Hi/Lo Thread	1
40	581 15 25-02	BRACKET	Rear Transmission	1
41	586 96 30-01	PULLEY	AWD	1
42	586 13 76-01	TRANSMISSION	AWD, Rear	1
43	532 40 48-45	PAWL, DRIVE		2
44	587 08 10-01	STRIPPER		1
45	587 59 98-01	SCREW	Hi-Lo, 13-16 X.750	1
46	581 72 61-01	BOLT	Shoulder, 1/4-20 Tri-lobe	1
47	584 29 94-01	SCREW EHHFT	Hi-Lo, 5/16 X 1.00	1
48	589 48 62-01	TRANSMISSION	AWD, Front	1
49	587 43 82-01	SCREW	Hi-Lo, 5/16-14 X 4.10	1
50	532 40 48-45	PAWL, DRIVE		2
51	586 71 37-01	FRONT COVER ASSY	Drive, AWD, Husqvarna	1
52	587 14 73-01	STRAP	Height Adjuster Bracket	2
53	581 35 13-01	SPRING	Rear Transmission	1
54	532 70 10-37	KNOB	Ergonomic	4
55	586 92 01-09	HEIGHT ADJUSTER	Ergonomic	1
56	586 92 01-09	HEIGHT ADJUSTER	Right Rear	1
57	586 92 01-11	HEIGHT ADJUSTER	Left Front	1
58	587 97 30-01	PULLEY		2
59	581 33 45-01	BOLT		2
60	874 78 05-12	SCREW		2
61	532 42 79-42	NUT		2
62	586 92 27-01	MULCHING PLUG		1