

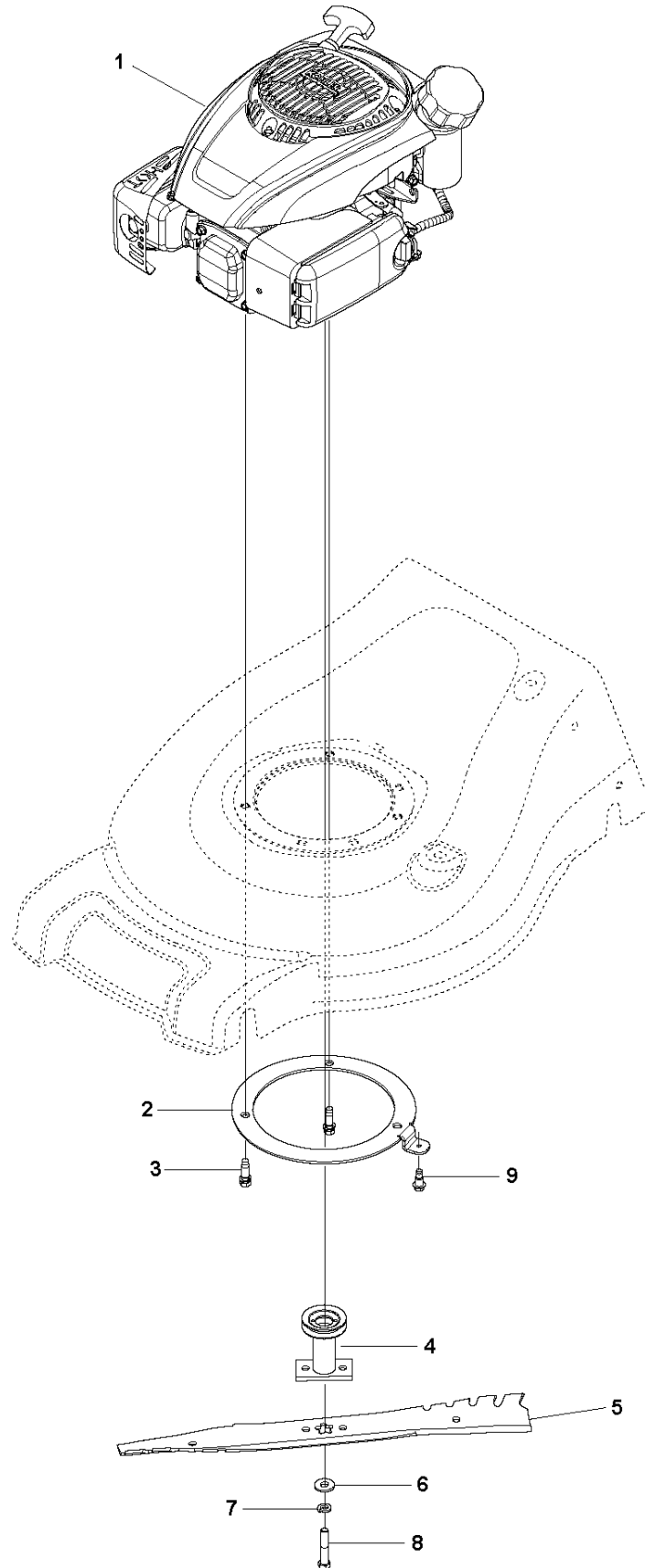


SPARE PARTS LIST

LAWN MOWERS: CONSUMER
WALK-BEHINDS

L421P, 96133003300, 2017-10

C L421P
ENGINE

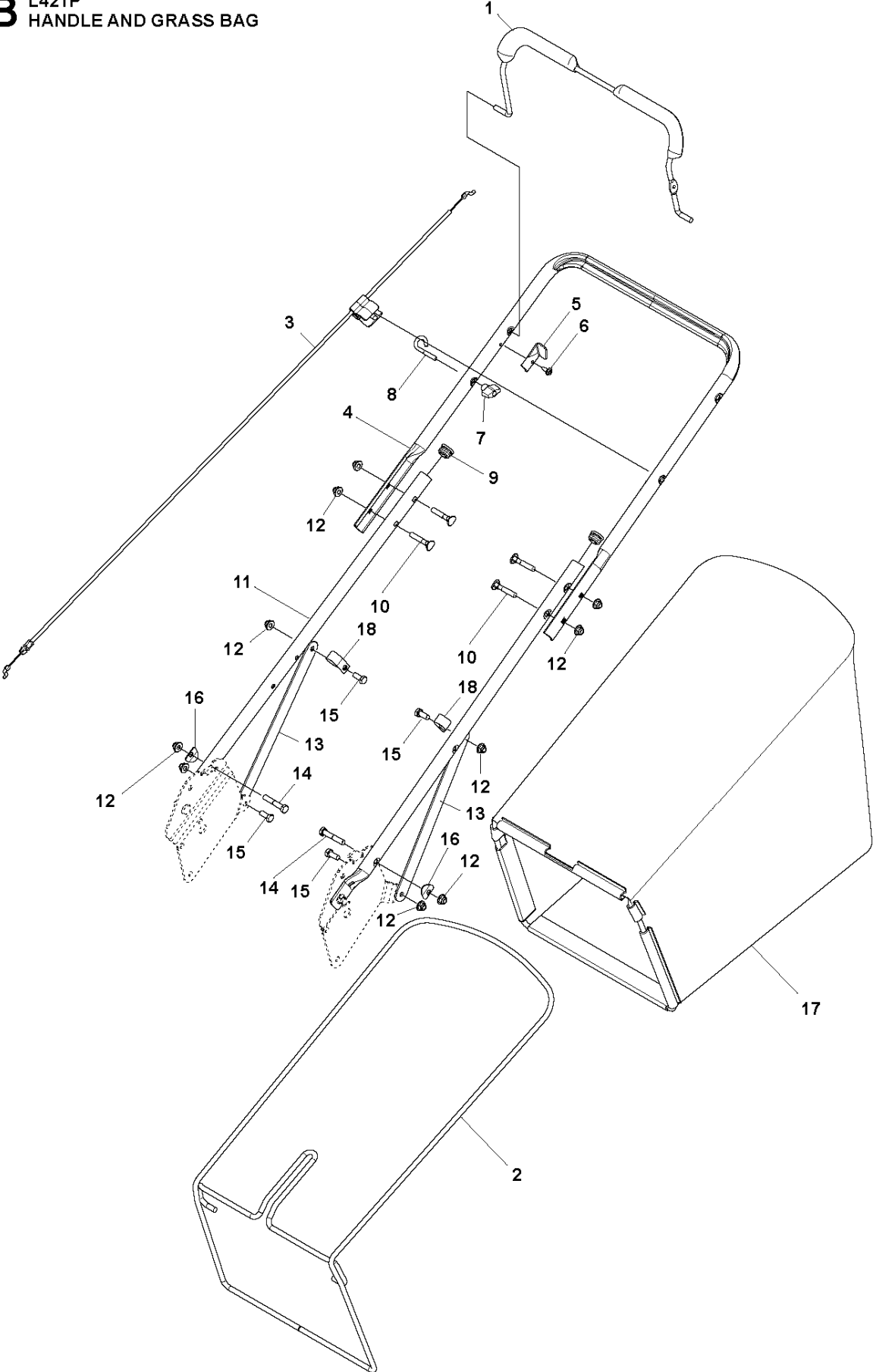


ENGINE

L421P, 96133003300, 2017-10

Ref	Part No	Description	Remark	QTY KIT
1	000 00 00-00	W/O DESCRIPTION	Kohler HD 775 For service and parts 1-800-544-2444	1
2	591 10 11-02	MOUNTING PLATE	Bottom Engine Ring	1
3	532 15 04-06	BOLT	3/8-16	1
4	590 04 42-01	ADAPTER	7/8, 21"	1
5	586 85 96-02	BLADE	High Lift	1
6	532 85 10-74	WASHER	Hardened	1
7	532 85 02-63	WASHER	3/8, Helical Spring	1
8	582 38 84-01	BOLT	Hex Head Machine Screw	1
9	581 72 61-01	BOLT	Shoulder, 1/4-20 Tri-lobe	1

B L421P
HANDLE AND GRASS BAG

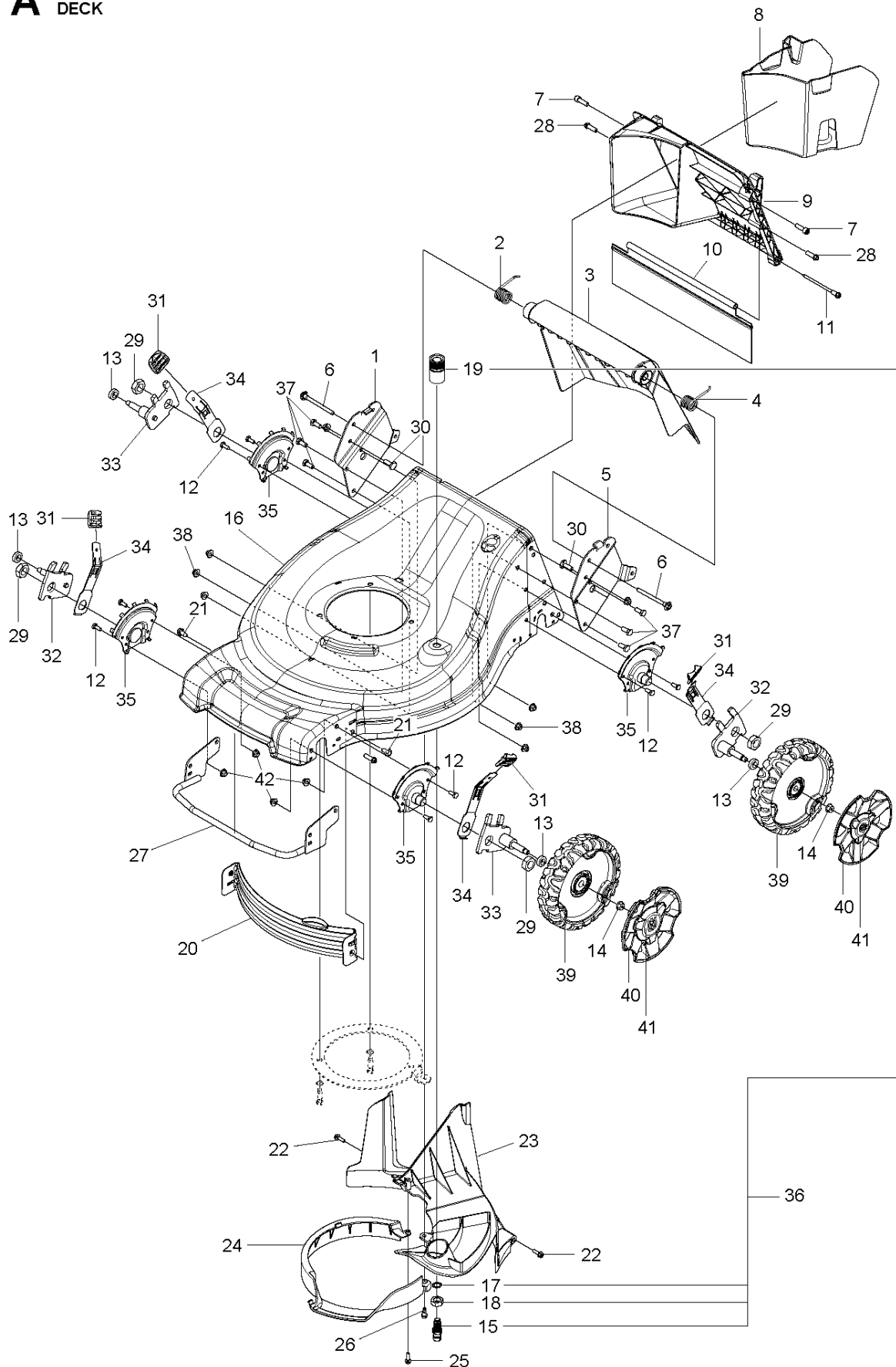


HANDLE

L421P, 96133003300, 2017-10

Ref	Part No	Description	Remark	QTY KIT
1	587 47 83-02	BAIL ARM ASSY	Straight	1
2	586 92 91-02	BAG FRAME	Drive, Straight	1
3	532 44 03-85	CABLE	Operator Presence Bail	1
4	589 19 79-05	HANDLEBAR	Straight	1
5	532 43 00-34	BRACKET	Upstop	1
6	532 17 88-48	SCREW	10-16 X 5/8	1
7	581 91 26-01	KNOB	T, Rope Guide	1
8	581 90 21-01	GUIDE	Rope	1
9	532 43 75-16	PLUG	Plastic, 7/8, 14-20 Gauge	2
10	532 19 15-74	HANDLE BOLT	Concave Head, Retaining	4
11	590 68 63-02	HANDLE	Lower 2 piece, 3 Position	2
12	532 42 79-42	NUT	5/16-18 Locknut	10
13	590 56 06-02	BRACE	Diagonal Handle	2
14	874 78 05-28	BOLT	Hex, 5/16-18 x 1.75	2
15	592 94 54-01	BOLT	5/16-18 x 0.75, Grade 8	2
16	592 80 84-01	WASHER	Curved Washer, 5/16	2
17	587 10 04-08	GRASS BAG ASSY	Husqvarna 21"	1
18	590 68 68-01	CLAMP	7/8 Loop Clamp	2

A L421P
DECK



MOWER DECK / CUTTING DECK

L421P, 96133003300, 2017-10

Ref	Part No	Description	Remark	QTY KIT
1	590 56 05-02	HANDLE BRACKET	Handle, Right	1
2	590 75 52-01	TORSION SPRING	Right, Door	1
3	586 13 80-01	DOOR	REAR	1
4	590 75 50-01	TORSION SPRING	Left, Door	1
5	590 56 04-02	HANDLE BRACKET	Adjustable Handle, Left	1
6	587 19 89-01	BOLT	Pivot, 3/8-16	2
7	587 28 11-01	SCREW	Hi-Lo, 5/16-14 x T-45	2
8	586 92 27-01	MULCHING PLUG		1
9	586 13 75-01	INSERT	REAR	1
10	586 69 88-01	GUARD	REAR	1
11	587 43 82-01	SCREW	Hi-Lo, 5/16-14 x 4.10	1
12	874 78 04-10	BOLT	1/4-20	8
13	532 19 74-80	O-RING		1
14	532 40 91-48	NUT	Hex Flange, 3/8-16	4
15	532 43 49-94	PORT	Zinc	1
16	588 61 02-32	HOUSING ASSY	21" Commercial	1
17	532 41 55-85	LOCKWASHER	Star	1
18	532 41 55-86	LOCKING NUT	Hex	1
19	532 41 64-05	COUPLING	Quick Connect	1
20	586 69 86-01	BAFFLE	FRONT	1
21	817 00 05-10	BOLT	Hex, 5/16	2
22	587 59 98-01	SCREW	Hi-Lo, 13-16 x .750	2
23	586 56 04-01	BELT COVER	Rear Baffle	1
24	587 08 10-01	STRIPPER	Stripper	1
25	587 59 98-01	SCREW	Hi-Lo, 13-16 x .750	1
26	581 72 61-01	BOLT	Shoulder, 1/4-20 Tri-lobe	1
27	590 55 99-02	BUMPER ASSY	Front (Gray)	1
28	587 28 11-01	SCREW	Hi-Lo, 5/16 x 1.00	2
29	592 78 48-01	NUT	Hex	1
30	872 11 05-10	BOLT	5/16-18 x 0.75, Carriage Bolt	1
31	532 70 10-37	KNOB	Ergonomic	4
32	590 67 44-02	ARM	Axle Arm RF/LR	2
33	590 55 97-02	AXLE	Axle Arm LR/RR	2
34	587 00 06-05	SPRING	Selector Spring	4
35	590 55 92-02	PLATE	Adjuster Plate	4
36	532 42 11-14	WATER CONNECTOR	Wash-out 15, 17, 18, 19	1
37	874 78 05-12	SCREW	SCREW	6
38	532 42 79-42	NUT	Nut	6
39	584 61 16-01	WHEEL ASSY		4
40	584 15 93-01	HUB CAP		4
41	584 15 94-01	NUT CAP		4
42	532 43 81-30	NUT	1/4 .20 Hex F18	4