

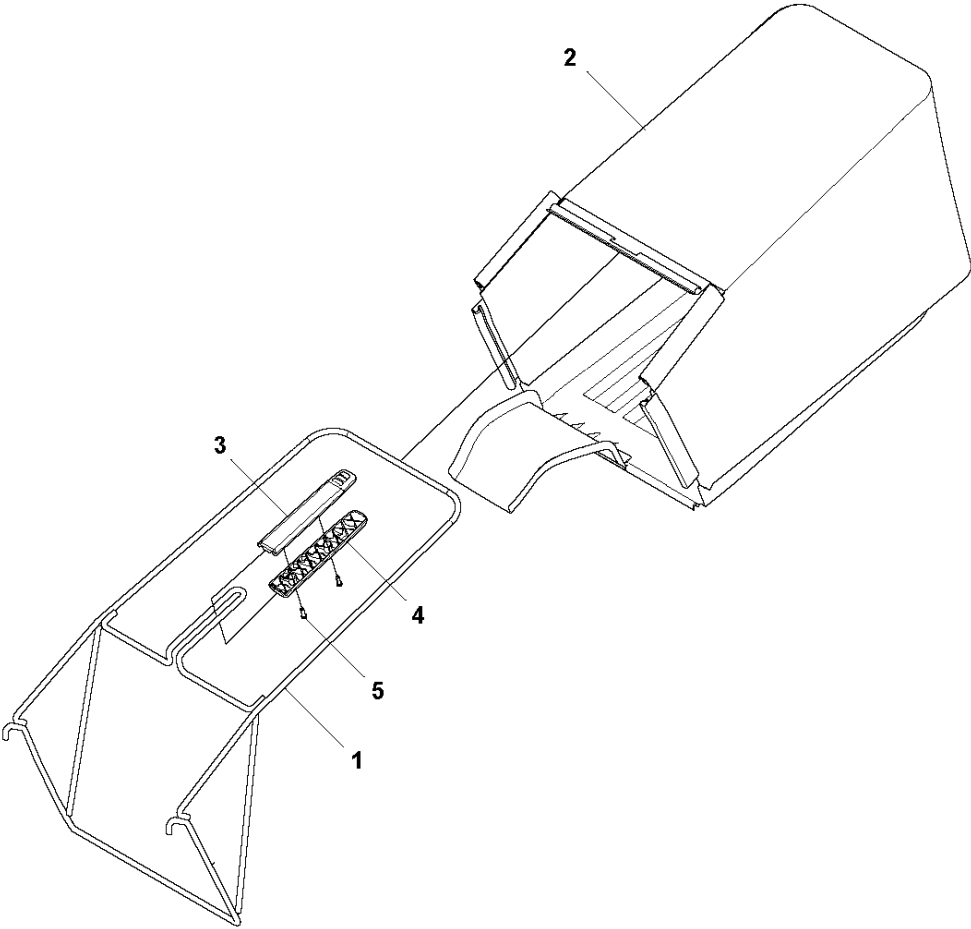


# SPARE PARTS LIST

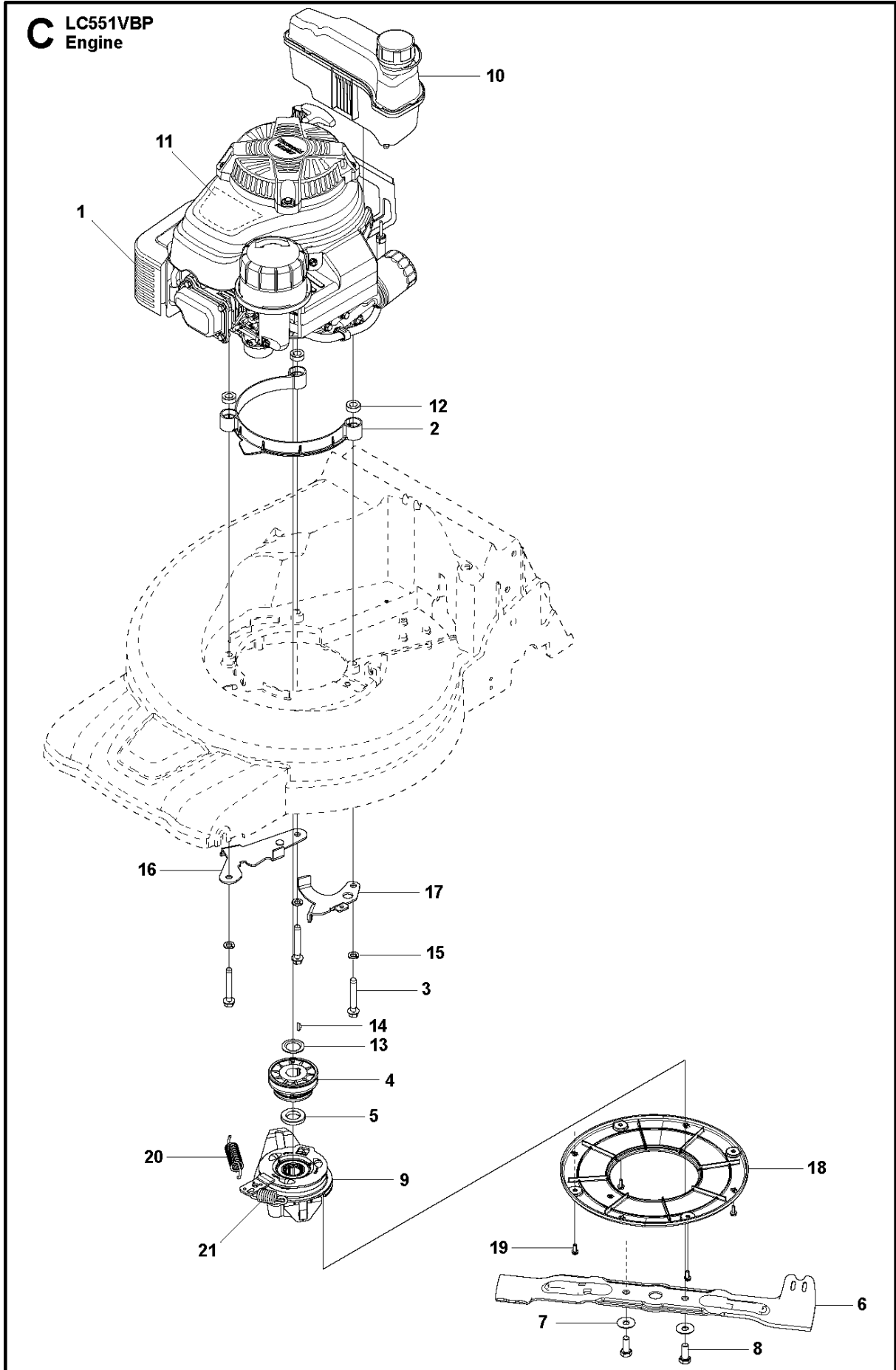
LAWN MOWERS: CONSUMER  
WALK-BEHINDS

LC551 VBP, 967099601

**D** LC551VBP  
COLLECT PARTS



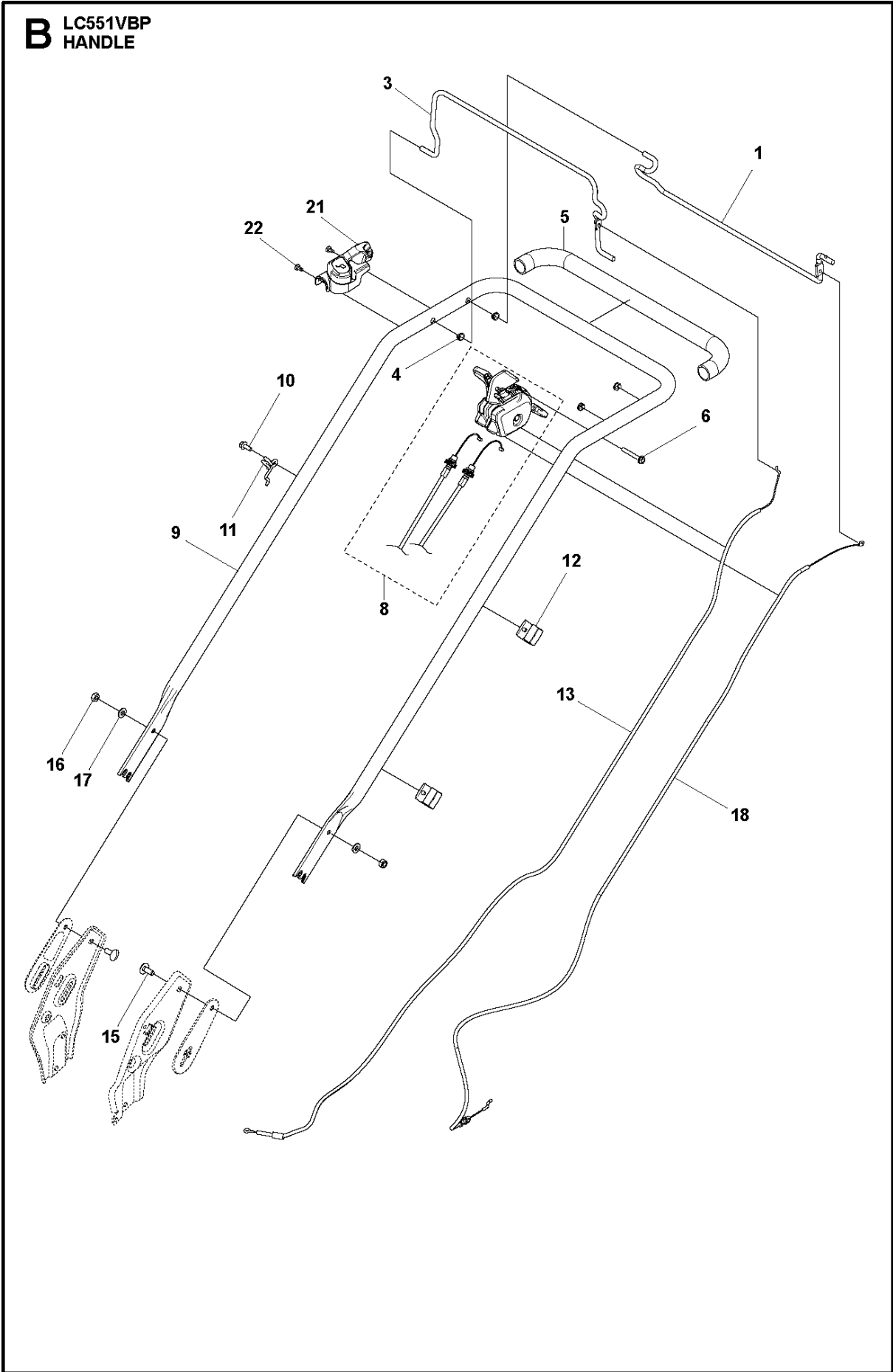
Ref	Part No	Description	Remark	QTY KIT
1	587 19 70-01	BAG FRAME		1
2	587 19 71-01	BAG		1
3	588 18 84-02	HANDLE		1
4	588 18 85-02	HANDLE		1
5	502 43 53-01	SCREW ITPANT		2



## ENGINE

LC551 VBP, 967099601

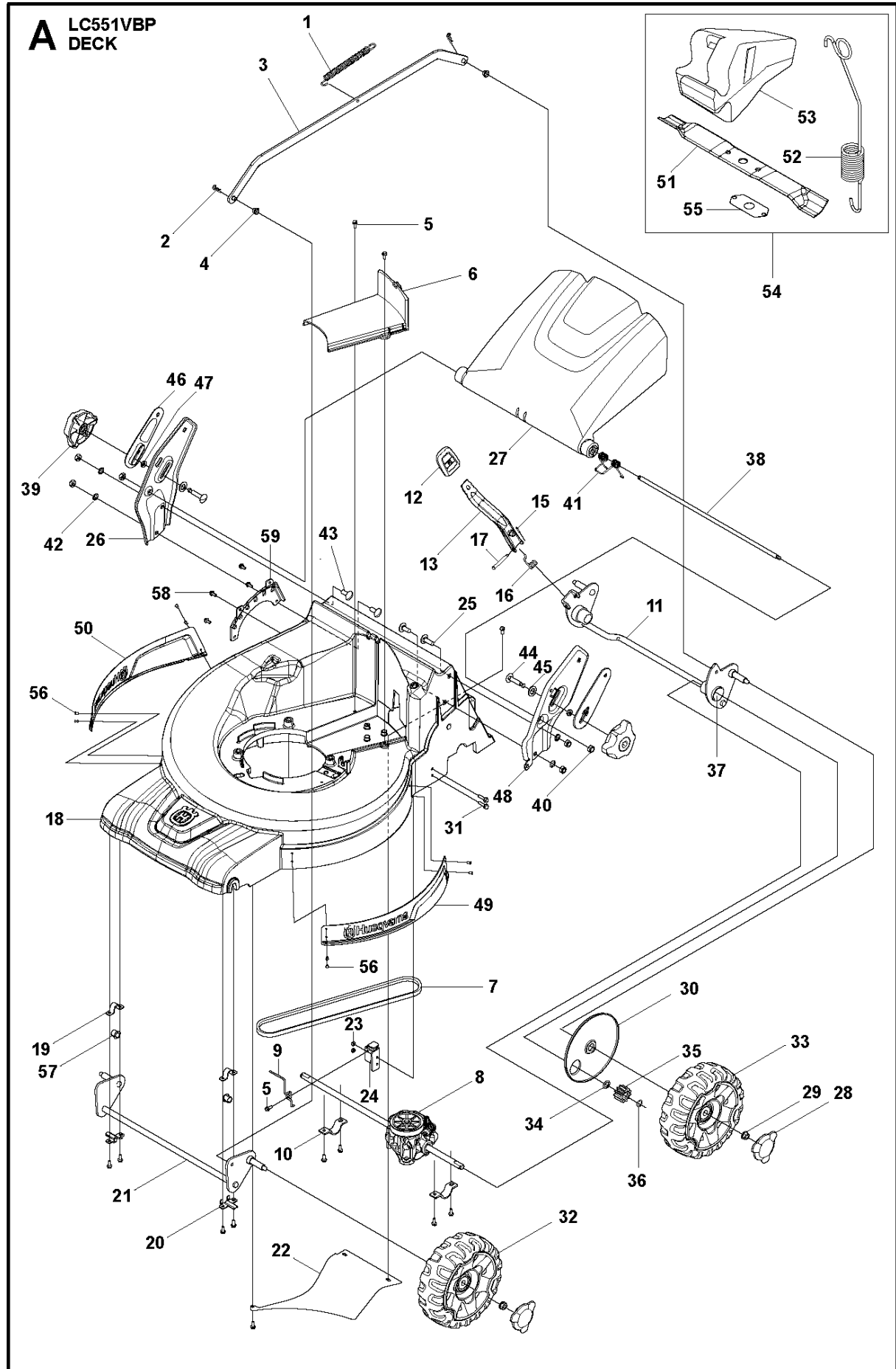
Ref	Part No	Description	Remark	QTY KIT
1	588 62 55-02	ENGINE ASSY		1
2	582 52 61-01	ENGINE COVER		1
3	578 29 48-02	SCREW EHHFT		3
4	582 17 88-01	PULLEY ASSY		1
5	582 38 56-01	DISTANCE		1
6	582 14 94-10	BLADE		1
7	575 74 65-01	WASHER		2
8	725 24 93-71	SCREW EHHM		2
9	529 29 90-01	CLUTCH		1
10	587 31 41-01	TANK ASSY		1
11	588 99 31-02	DECAL		1
12	582 59 64-01	SPACER		3
13	582 33 42-01	WASHER		1
14	582 67 36-01	WOODRUFF KEY		1
15	531 20 89-74	WASHER		3
16	582 13 96-01	BRACKET		1
17	582 14 07-01	BRACKET		1
18	582 86 67-01	CLUTCH COVER		1
19	531 20 73-85	SCREW		4
20	582 68 25-01	BRAKE SPRING		1
21	582 67 37-01	SPRING		1



HANDLE

LC551 VBP, 967099601

Ref	Part No	Description	Remark	QTY KIT
1	587 10 18-02	BAIL		1
3	582 68 17-02	BAIL		1
4	503 32 09-02	BUSHING		4
5	501 11 01-01	TUBE		1
6	535 47 52-45	SCREW EHHFM		1
8	582 51 21-01	CONTROL		1
9	587 19 74-04	HANDLE		1
10	725 23 68-61	SCREW EHHFT		1
11	587 10 27-01	EYELET		1
12	579 13 46-01	CABLE HOLDER		2
13	582 38 00-01	CABLE		1
15	588 87 75-01	SCREW		2
16	732 21 18-01	LOCK NUT		2
17	734 11 64-01	WASHER		2
18	588 20 48-04	CABLE		1
21	582 66 25-02	LEVER ASSY		1
22	502 43 52-01	SCREW ITPANTT		2





## MOWER DECK / CUTTING DECK

LC551 VBP, 967099601

Ref	Part No	Description	Remark	QTY	KIT
1	531 20 57-15	SPRING		1	
2	531 20 66-53	PIN		2	
3	587 19 85-01	ROD		1	
4	501 62 25-01	BUSHING		2	
5	531 20 73-85	SCREW		17	
6	531 21 32-25	COVER		1	
7	579 81 93-05	BELT		1	
8	582 14 17-01	GEARBOX		1	
9	589 66 94-01	WIRE GUIDE		1	
10	531 20 66-52	SUPPORT		2	
11	587 19 80-02	AXLE		1	
12	581 74 67-01	KNOB		1	
13	581 17 86-02	LEVER ASSY		1	
15	587 19 84-01	PIN		1	
16	583 95 13-02	SPRING		1	
17	587 19 82-02	PEN		1	
18	587 19 75-06	CHASSIS		1	
19	501 07 89-01	SUPPORT		2	
20	591 16 26-01	SUPPORT		2	
21	587 19 81-01	AXLE		1	
22	501 96 60-01	DEFLECTOR		1	
23	732 25 14-01	HEXAGON LOCKING NUT		2	
24	582 14 12-01	BRACKET		1	
25	531 20 49-21	SCREW		1	
26	587 19 67-02	HANDLE SUPPORT		1	
27	587 19 72-01	HATCH		1	
28	584 15 94-01	NUT CAP		4	
29	504 85 78-01	NUT		4	
30	587 19 79-01	DUST COVER		2	
31	725 23 31-51	SCREW		2	
32	589 85 98-02	WHEEL ASSY		2	
33	589 85 98-01	WHEEL ASSY		2	
34	577 09 28-01	WASHER		2	
35	544 34 23-01	PINION		2	
36	531 20 87-72	WASHER		2	
37	584 40 46-01	BALL BEARING		2	
38	587 19 73-01	ROD		1	
39	587 23 72-01	KNOB		2	
40	732 21 18-01	LOCK NUT		6	
41	501 32 25-01	SPRING		1	
42	734 11 64-01	WASHER		4	
43	588 87 75-01	SCREW		3	
44	588 15 73-01	BOLT		2	
45	588 15 74-01	WASHER		2	
46	587 78 04-01	WASHER		2	
47	731 43 18-01	HEXAGON THIN NUT		2	
48	587 19 68-02	HANDLE SUPPORT		1	
49	582 22 90-01	BUMPER		1	
50	582 22 90-02	BUMPER		1	
51	589 57 22-10	MOWER BLADE		1	54
52	531 20 58-31	SPRING		1	54
53	531 21 32-26	PLUG		1	54
54	589 81 75-01	MULCH KIT		1	
55	589 99 50-01	ADAPTER PLATE		1	54
56	722 78 54-02	RIVET		8	
57	590 37 36-01	BUSHING		2	
58	531 20 78-56	SCREW		4	
59	589 93 49-01	HEIGHT ADJUSTER		1	