

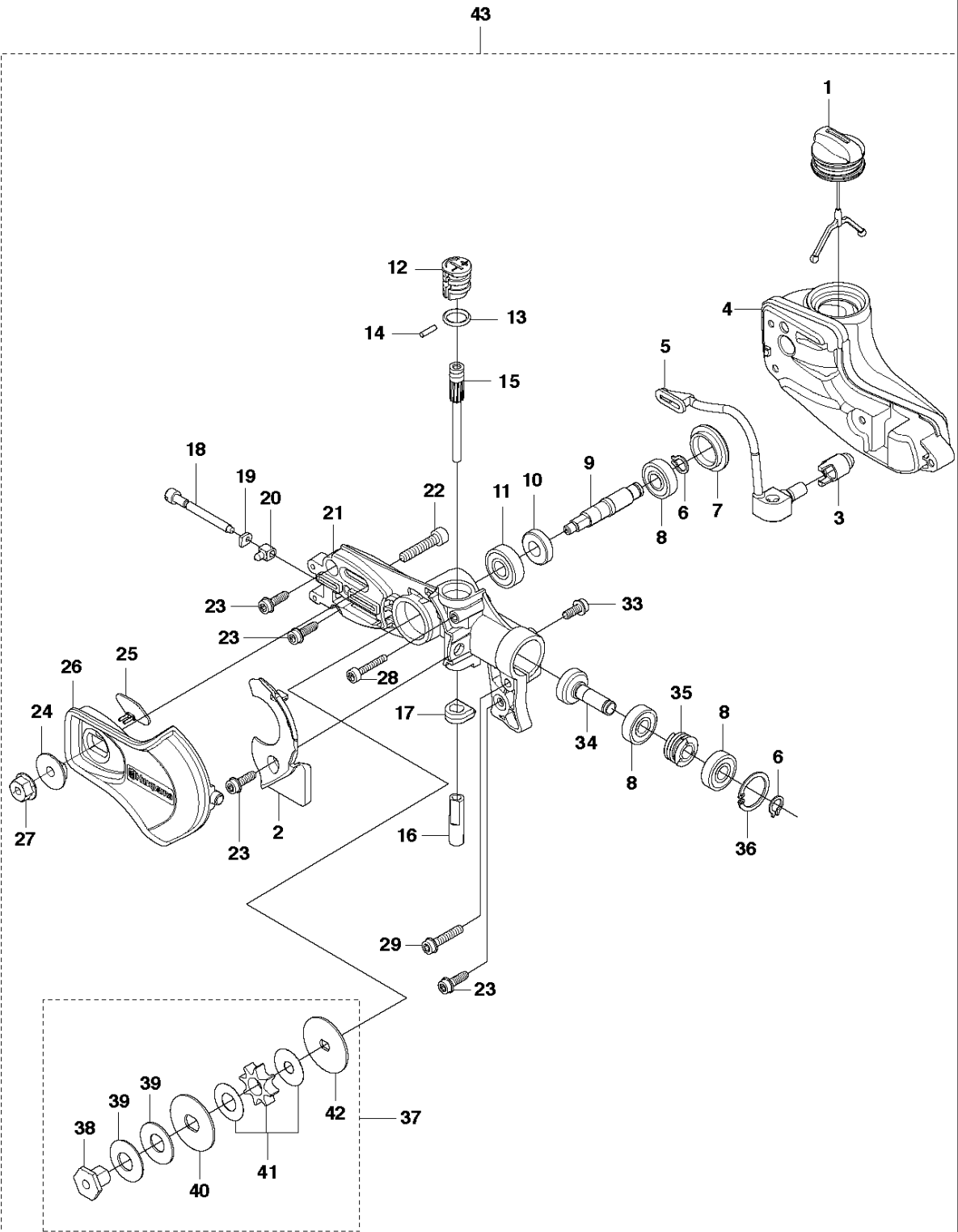


# SPARE PARTS LIST

ACCESSORIES AND TOOLS

POLE SAW ATTACHMENT PA1100  
(537183323, 537183325)

**A** PA1100  
SAW HEAD

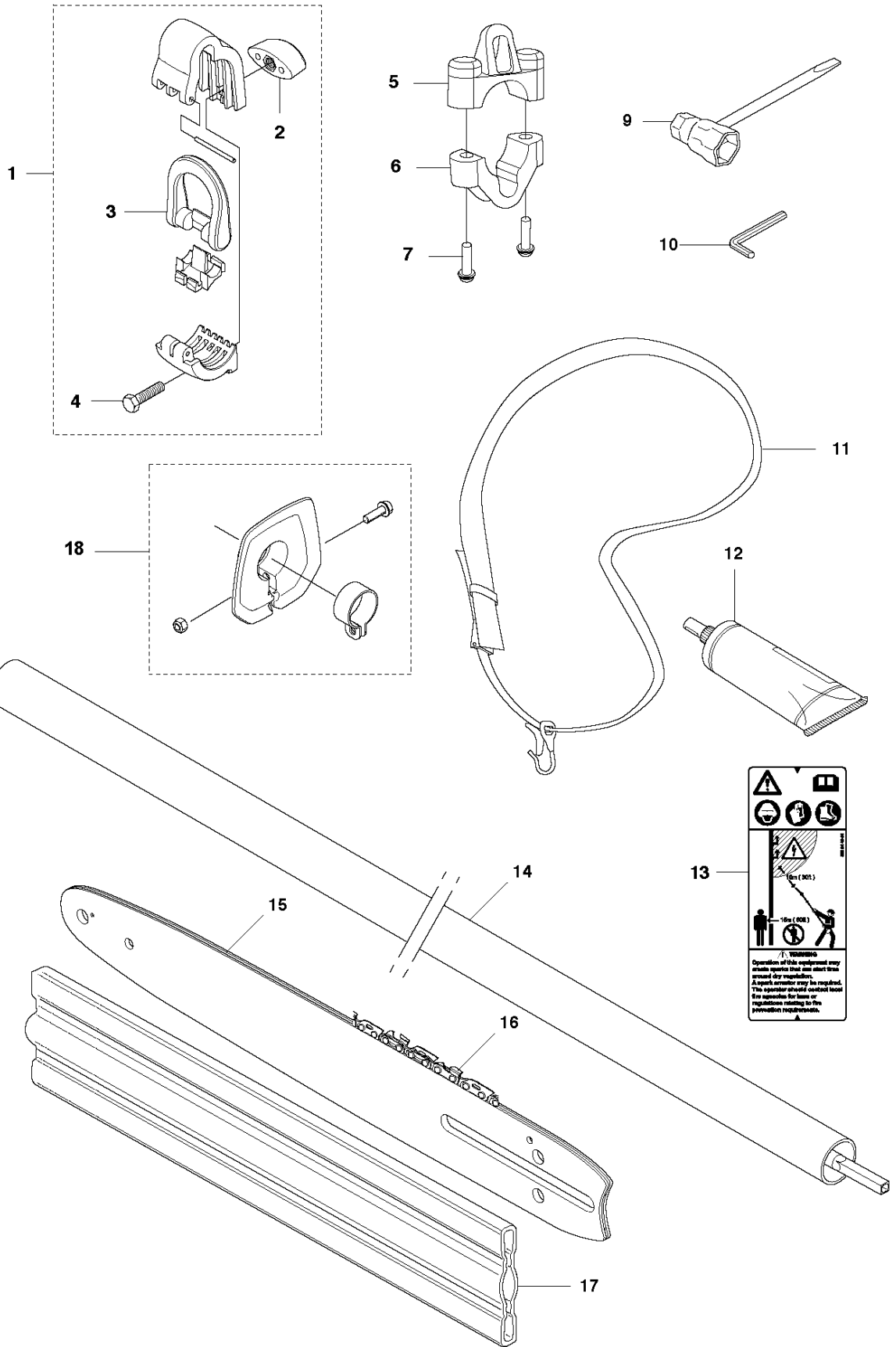


## SAW HEAD

## POLE SAW ATTACHMENT PA1100 (537183323, 537183325)

Ref	Part No	Description	Remark	QTY	KIT
1	577 87 86-03	TANK CAP ASSY		1	43
2	525 61 31-01	COVER		1	43
3	510 04 43-01	OIL SCREEN		1	43
4	577 66 70-01	OIL TANK		1	43
5	525 49 06-01	OIL HOSE		1	43
6	735 31 11-00	CIRCLIP		2	43
7	574 82 98-01	COVER		1	43
8	738 21 99-04	BALL BEARING		3	43
9	525 49 04-01	SHAFT		1	43
10	575 35 56-01	GEAR WHEEL		1	43
11	738 21 00-04	BALL BEARING		1	43
12	525 48 16-01	KNOB		1	43
13	740 43 10-14	O-RING		1	43
14	503 24 09-11	NEEDLE ROLLER		1	43
15	540 05 79-01	PUMP PISTON		1	43
16	537 15 48-01	PUMP CYLINDER		1	43
17	576 39 59-01	FASTENER		1	43
18	501 81 92-01	SCREW		1	43
19	501 45 27-02	LOCK NUT		1	43
20	501 45 41-01	NUT		1	43
21	523 85 37-02	GEAR HOUSING		1	43
22	576 83 10-01	SCREW IHSCM		1	43
23	573 92 58-01	SCREW ITXSCFT		3	43
24	525 49 07-01	BUSHING		1	43
25	574 40 47-01	RUBBER		1	43
26	525 48 14-01	COVER		1	43
27	503 22 00-07	HEXAGON NUT		4	43
28	525 76 09-05	SCREW ITXSCM		1	43
29	525 75 51-04	SCREW ITXSCFM		1	43
33	525 75 51-05	SCREW ITXSCFM		1	43
34	575 35 55-01	PINION		1	43
35	525 48 97-01	WORM GEAR		1	43
36	735 31 25-10	CIRCLIP		1	43
37	585 48 31-01	SPROCKET	"for 1/4"" Chain"	1	43
37	585 48 31-02	SPROCKET	"for 3/8"" chain" (US only)	1	43
38	580 76 04-01	NUT		1	37, 43
39	581 12 61-01	DISC SPRING		2	37, 43
40	576 74 00-02	WASHER		1	37, 43
41	582 87 22-01	SPROCKET	"for 1/4"" Chain"	1	37, 43
41	582 87 22-02	SPROCKET	"for 3/8"" chain" (US only)	1	37, 43
42	576 74 00-01	WASHER		1	43
43	575 78 43-09	POLE SAW HEAD	"for 1/4"" Chain"	1	
43	575 78 43-10	POLE SAW HEAD	"for 3/8"" chain" (US only)	1	

**B PA1100 ATTACHMENT**



**13**

**! WARNING**  
 Operation of this equipment may create sparks that can start fires around dry vegetation. A spark arrester may be required. The operator should consult local fire agencies for laws or regulations relating to fire prevention requirements.

## ATTACHMENTS

## POLE SAW ATTACHMENT PA1100 (537183323, 537183325)

Ref	Part No	Description	Remark	QTY	KIT
1	537 35 36-01	LOOP		1	
2	537 13 04-01	KNOB		1	
3	537 35 01-01	LOOP		1	
4	725 23 31-51	SCREW		1	
5	545 11 33-01	CLAMP	1"	1	
6	545 05 66-01	CLAMP	1"	1	
7	530 01 59-40	SCREW		1	
9	501 69 17-01	COMBINATION WRENCH		1	7
10	503 55 86-01	SPANNER		1	7
10	576 42 64-01	SPANNER	T27 Torx	1	
11	537 21 62-01	HARNESS		1	
12	579 06 49-01	GREASE		1	
13	585 94 40-01	DECAL		1	
14	587 97 21-04	TUBE ASSY		1	
15	575 84 22-58	BAR	"10"" , 1/4"" - 1,3 mm"	1	
15	575 84 22-64	BAR	"12"" , 1/4"" - 1,3 mm"	1	
15	585 82 91-44	BAR	"12"" , 3/8"" , mini 1,3" (US only)	1	
16	501 84 40-58	SAW CHAIN	"10"" , 1/4"" - 1,3mm. 58DL"	1	
16	501 84 40-64	SAW CHAIN	"12"" , 1/4"" - 1,3 mm. 64DL"	1	
16	501 84 70-44	SAW CHAIN	"12"" , 3/8"" , mini 1,3" (US only)	1	
17	537 12 99-01	BAR GUARD		1	
18	579 48 86-01	HAND GUARD ASSY		1	