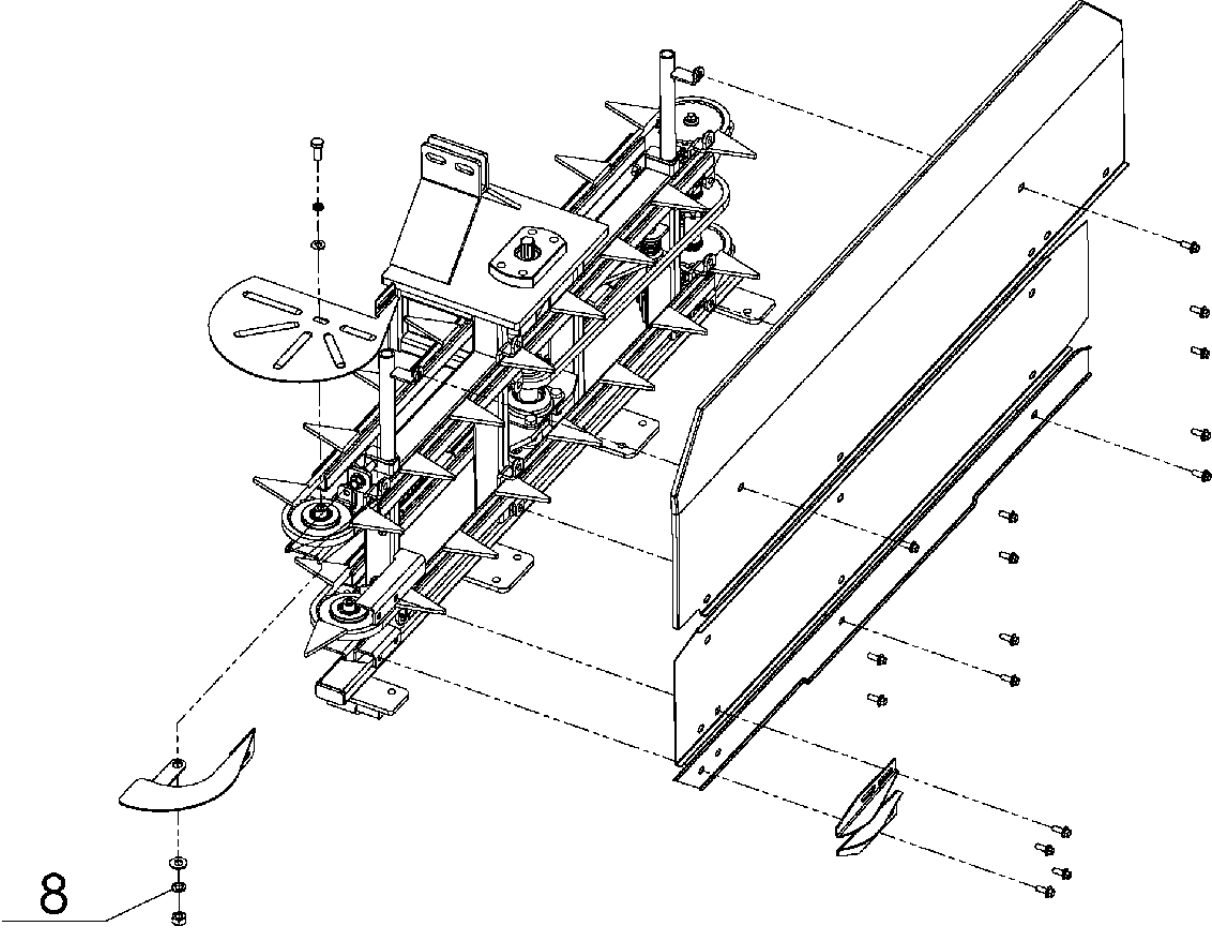




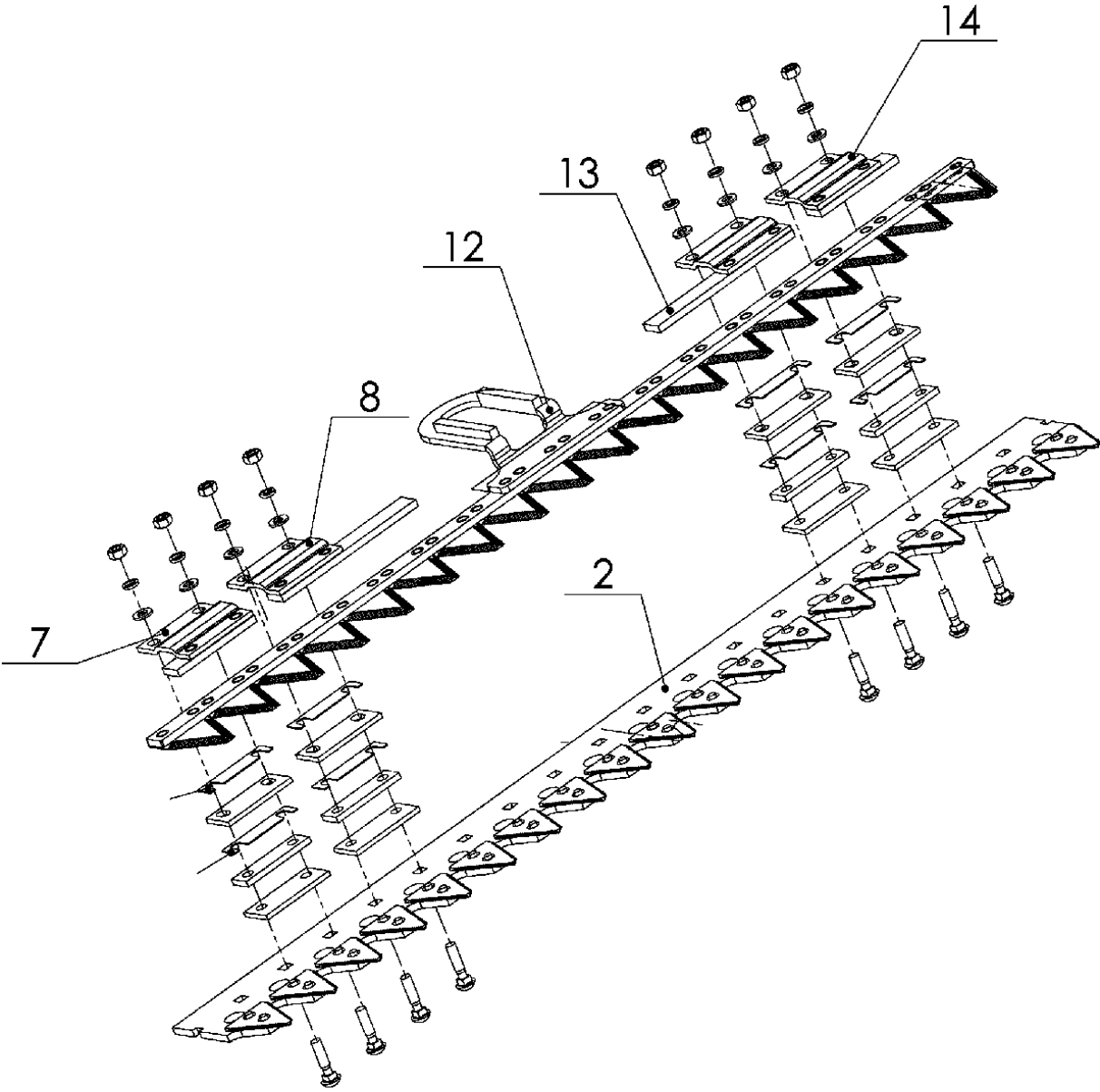
# SPARE PARTS LIST

ACCESSORIES AND TOOLS

SWATHER, 590366001, 2017-12



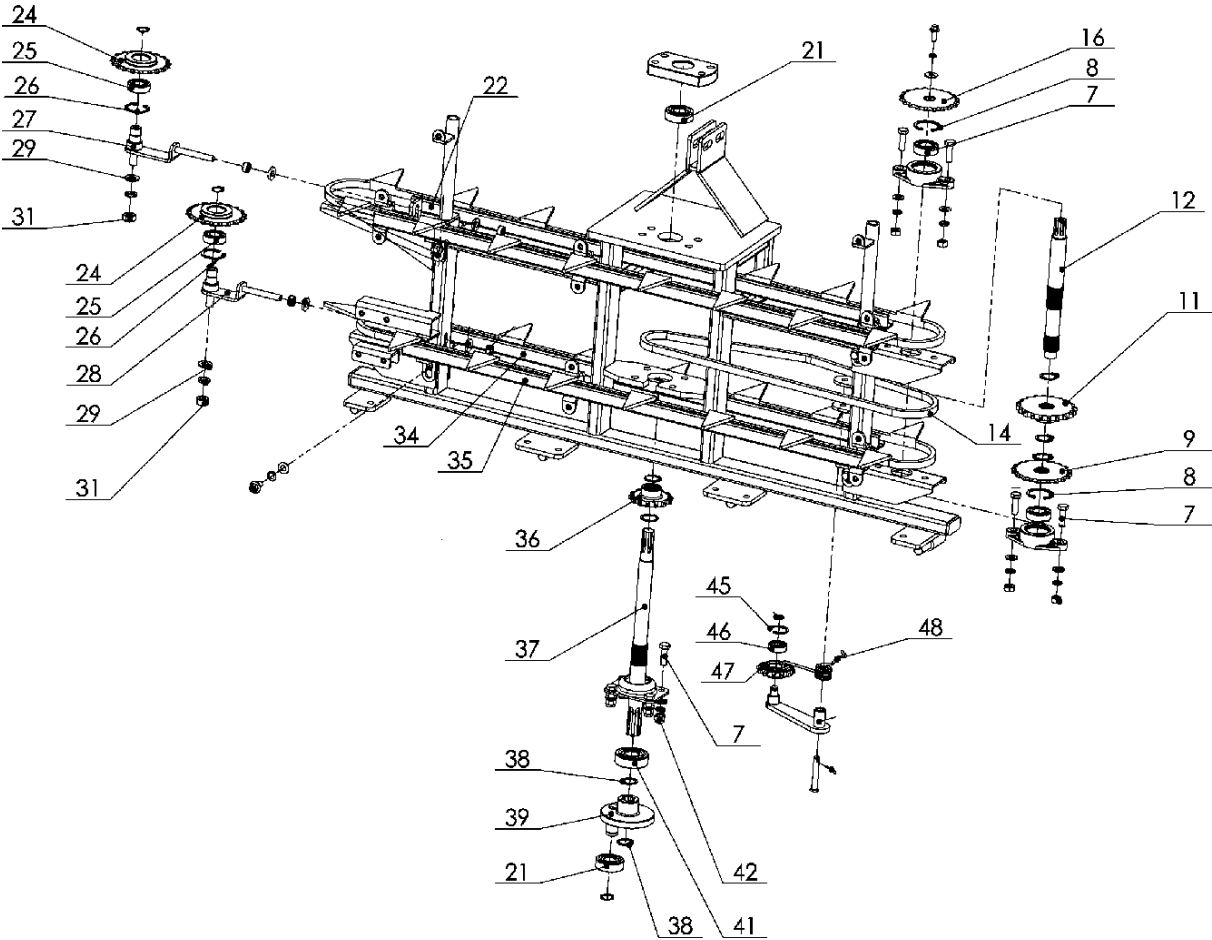
Ref	Part No	Description	Remark	QTY KIT
8	593 60 14-54	WASHER	Spring washer 10	2



CUTTING EQUIPMENT

SWATHER, 590366001, 2017-12

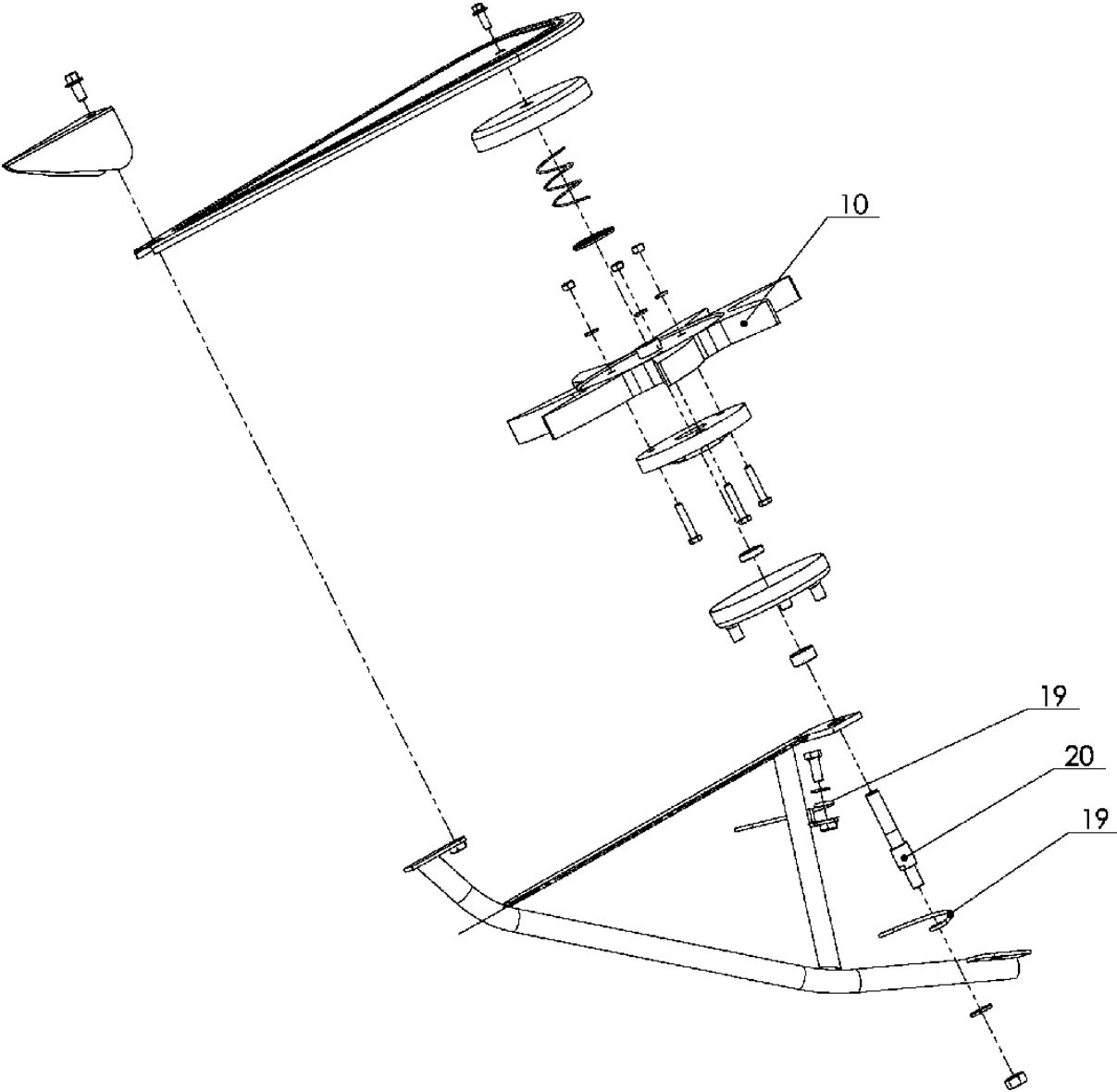
Ref	Part No	Description	Remark	QTY KIT
2	593 60 14-35	BLADE	Fix blades comp	1
7	593 60 14-48	PLATE	Right platen assy I	1
8	593 60 14-49	PLATE	Right platen assy II	1
12	593 60 14-01	BLADE	Active blades comp	1
13	593 60 14-39	PLATE	Left platen assy I	1
14	593 60 14-40	PLATE	Left platen assy II	1



## FRAME

SWATHER, 590366001, 2017-12

Ref	Part No	Description	Remark	QTY KIT
7	593 60 14-30	BEARING	Bearing 6003-2Z	2
8	593 60 14-23	CIRCLIP	Circlip for hole 35	2
9	593 60 14-58	SPROCKET	Sprocket wheel	1
11	593 60 14-59	SPROCKET	Sprocket wheel	1
12	593 60 14-65	SHAFT	Transmission shaft	1
14	593 60 14-51	CHAIN	Single roller chain 08Ax80	1
16	593 60 14-60	SPROCKET	Sprocket wheel	1
21	593 60 14-06	BEARING	Bearing 6203-2Z	2
22	593 60 14-16	HOLDER	Chain holder	1
24	593 60 14-25	CIRCLIP	Circlip for shaft 15	2
25	593 60 14-56	SPROCKET	Sprocket wheel	2
26	593 60 14-29	BEARING	Bearing 6002-2Z	2
27	593 60 14-22	CIRCLIP	Circlip for hole 32	2
28	593 60 14-03	HOLDER	Adjusting sprocket wheel holder	1
29	593 60 14-02	HOLDER	Adjusting sprocket wheel holder	1
31	593 60 14-54	WASHER	Spring washer 10	1
34	593 60 14-15	HOLDER	Chain holder	1
35	593 60 14-14	HOLDER	Chain holder	1
36	593 60 14-13	HOLDER	Chain holder	1
37	593 60 14-55	SPROCKET	Sprocket wheel	1
38	593 60 14-64	SHAFT	Transmission shaft	1
39	593 60 14-26	CIRCLIP	Circlip for shaft 20	2
41	593 60 14-17	CIRCLIP	Circlip for shaft 17	1
42	593 60 14-31	BEARING	Bearing 6204-2Z	1
45	593 60 14-24	CIRCLIP	Circlip for shaft 10	1
46	593 60 14-21	CIRCLIP	Circlip for hole 26	1
47	593 60 14-28	BEARING	Bearing 6000-2Z	1
48	593 60 14-57	SPROCKET	Sprocket wheel	1

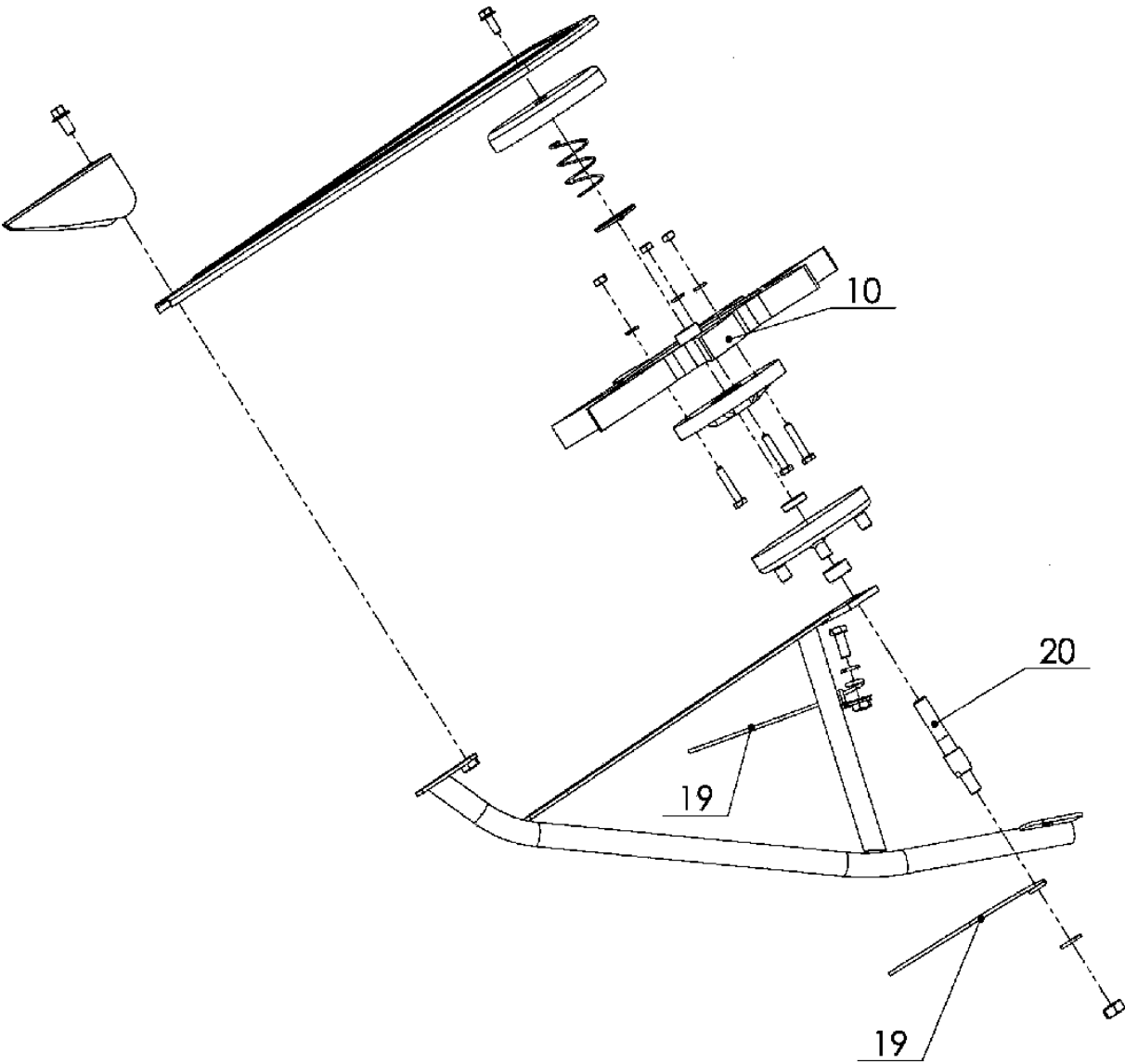




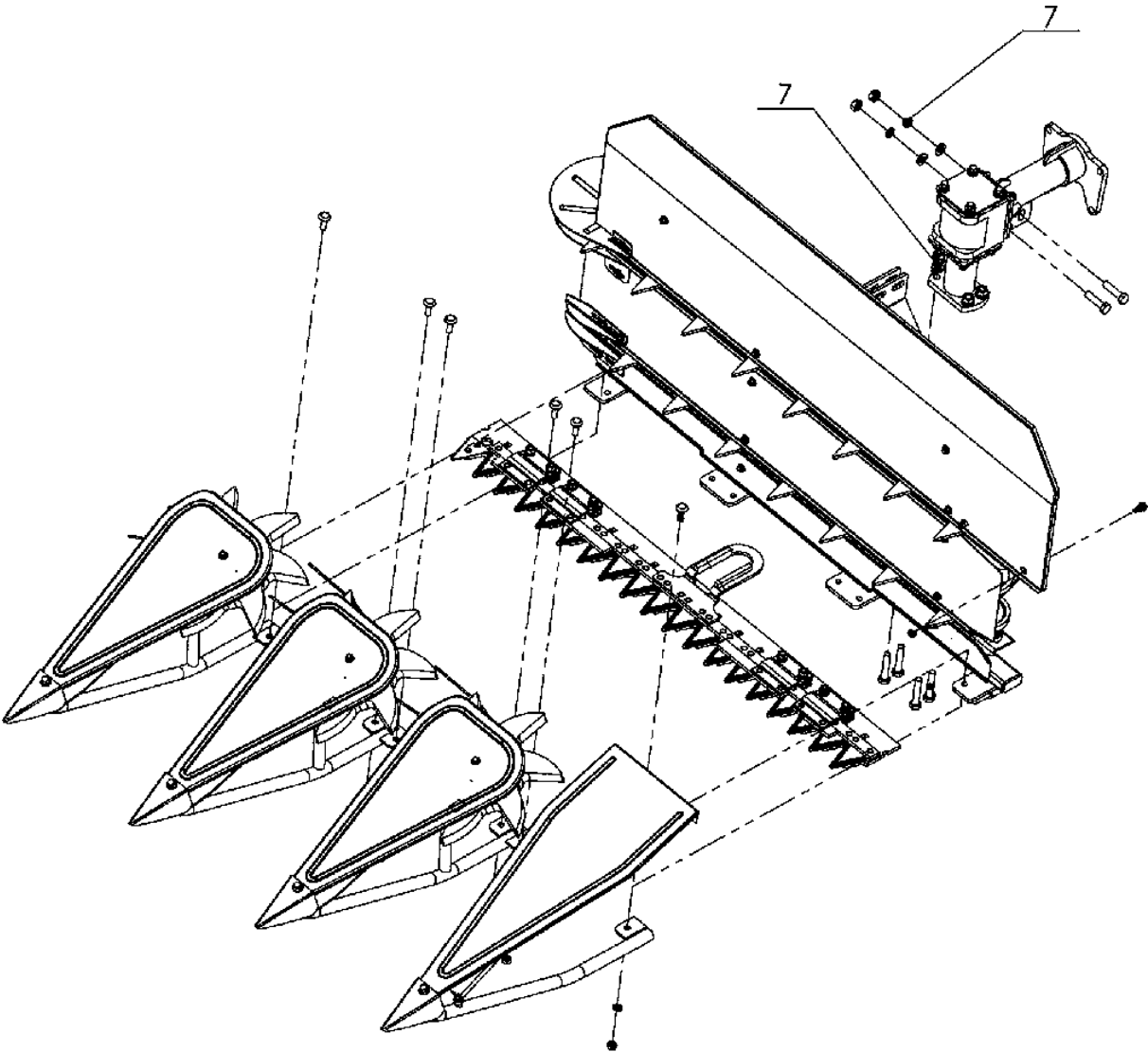
GRAIN LIFTER I

SWATHER, 590366001, 2017-12

Ref	Part No	Description	Remark	QTY KIT
10	593 60 14-61	GEAR	Star gear plate	1
19	593 60 14-05	WIRE	Adjusting wire	2
20	593 60 14-62	WHEEL	Star wheel axle	1



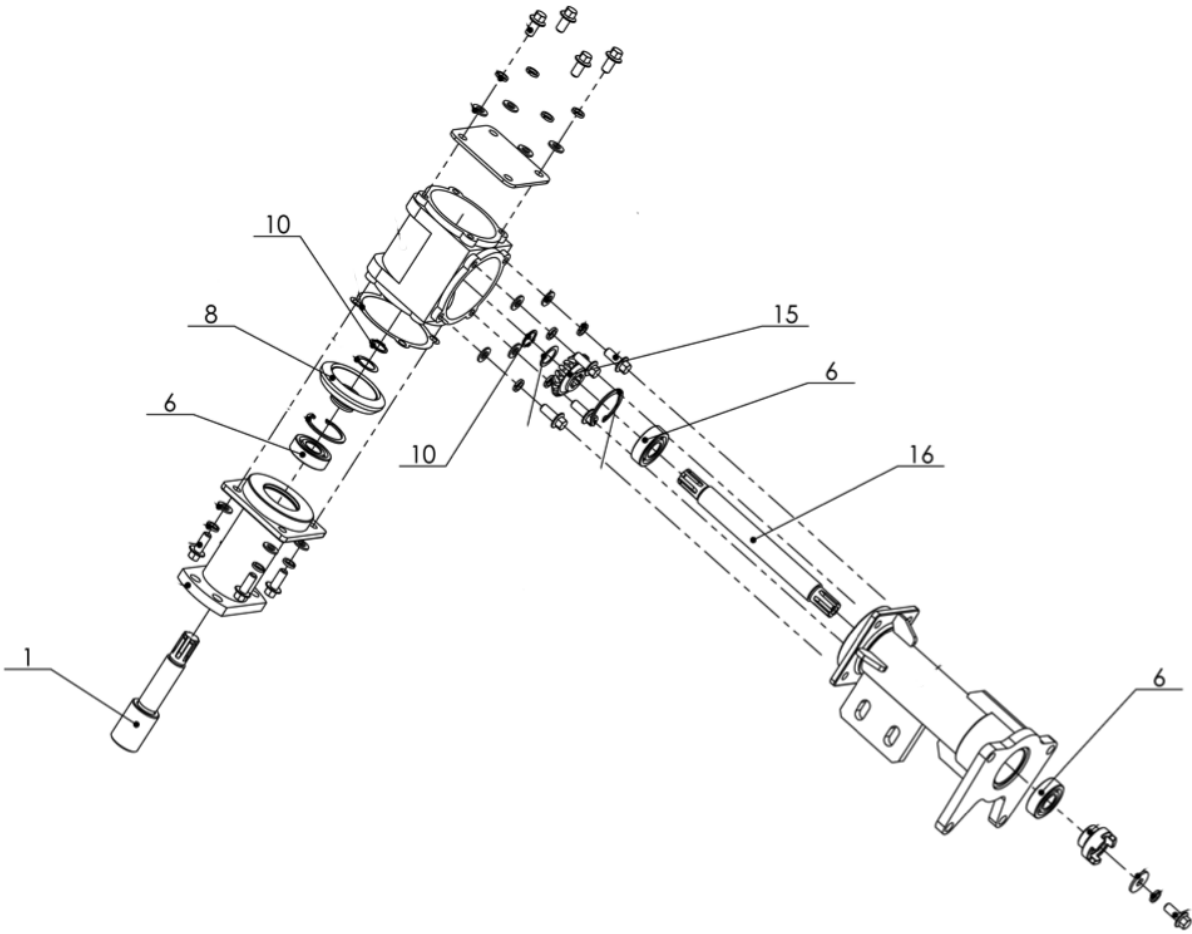
Ref	Part No	Description	Remark	QTY KIT
10	593 60 14-61	GEAR	Star gear plate	1
19	593 60 14-04	WIRE	Adjusting wire	2
20	593 60 14-62	WHEEL	Star wheel axle	1



PRODUCT COMPLETE

SWATHER, 590366001, 2017-12

Ref	Part No	Description	Remark	QTY KIT
7	593 60 14-54	WASHER	Spring washer 10	2



## TRANSMISSION

SWATHER, 590366001, 2017-12

Ref	Part No	Description	Remark	QTY KIT
1	593 60 14-53	SHAFT	Spline vertical shaft	1
6	593 60 14-06	BEARING	Bearing 6203-2Z	3
8	593 60 14-34	GEAR	Driving bevel gear	1
10	593 60 14-17	CIRCLIP	Circlip for hole 17	2
15	593 60 14-33	GEAR	Driven bevel gear	1
16	593 60 14-63	SHAFT	Transmission	1