



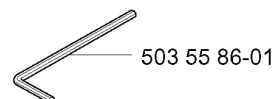
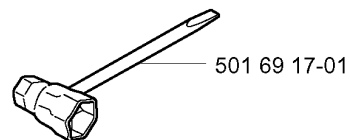
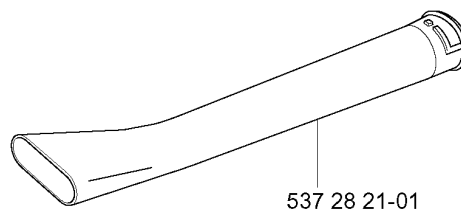
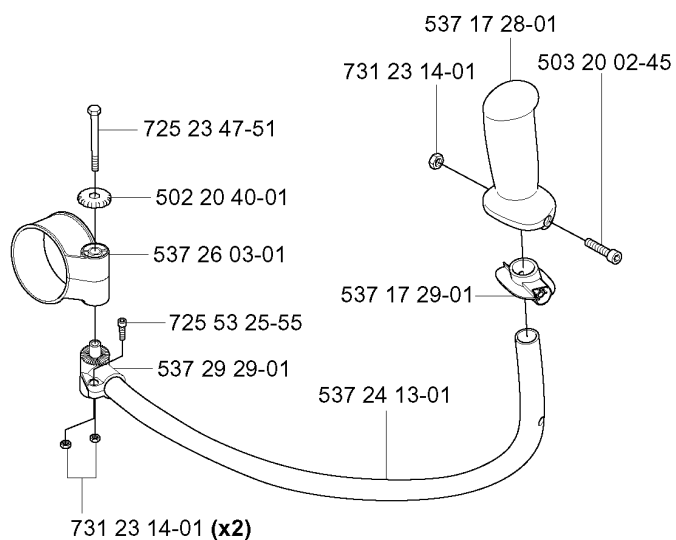
# SPARE PARTS LIST

BLOWERS

356 BT X-SERIES, 2004-10

**L** Accessories  
 Zubehöre  
 Accessoires  
 Accesorios  
 Tillbehör

compl 537 24 16-01



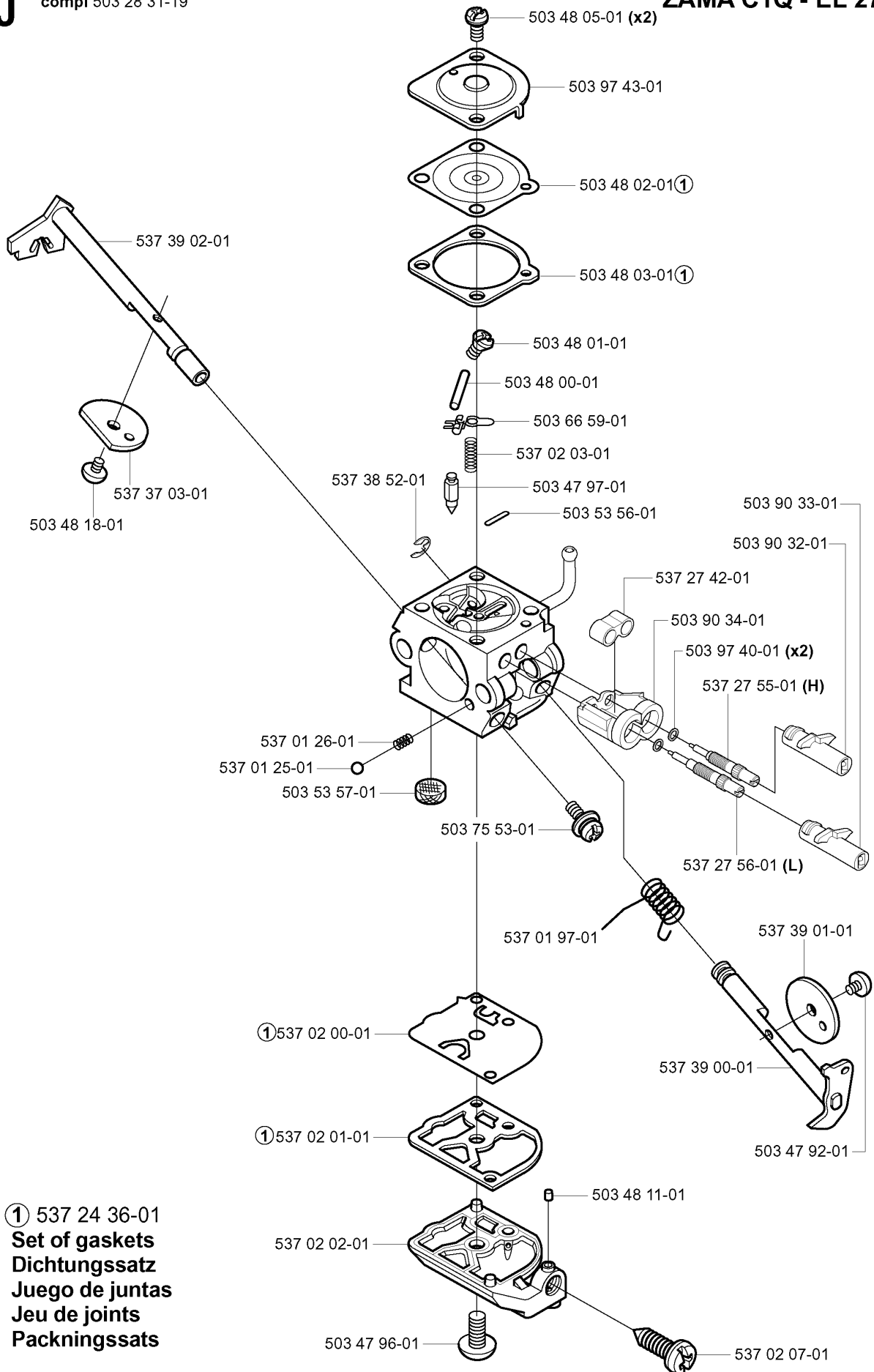
## ACCESSORIES

356 BT X-SERIES, 2004-10

| Part No      | Description        | Remark | QTY KIT |
|--------------|--------------------|--------|---------|
| 501 69 17-01 | COMBINATION WRENCH |        | 1       |
| 502 20 40-01 | KNOB               |        | 1       |
| 503 20 02-45 | SCREW IHSCFM       |        | 1       |
| 503 55 86-01 | SPANNER            |        | 1       |
| 537 17 28-01 | HANDLE             |        | 1       |
| 537 17 29-01 | COVER              |        | 1       |
| 537 24 13-01 | HANDLEBAR          |        | 1       |
| 537 24 16-01 | HANDLEBAR ASSY     |        | 1       |
| 537 26 03-01 | BRACKET            |        | 1       |
| 537 28 21-01 | PIPE               |        | 1       |
| 537 29 29-01 | BRACKET            |        | 1       |
| 725 23 47-51 | SCREW EHHM         |        | 1       |
| 725 53 25-55 | SCREW IHSCM        |        | 1       |
| 731 23 14-01 | HEXAGON NUT        |        | 1       |
| 731 23 14-01 | HEXAGON NUT        |        | 2       |

**J** compl 503 28 31-19

**ZAMA C1Q - EL 27**



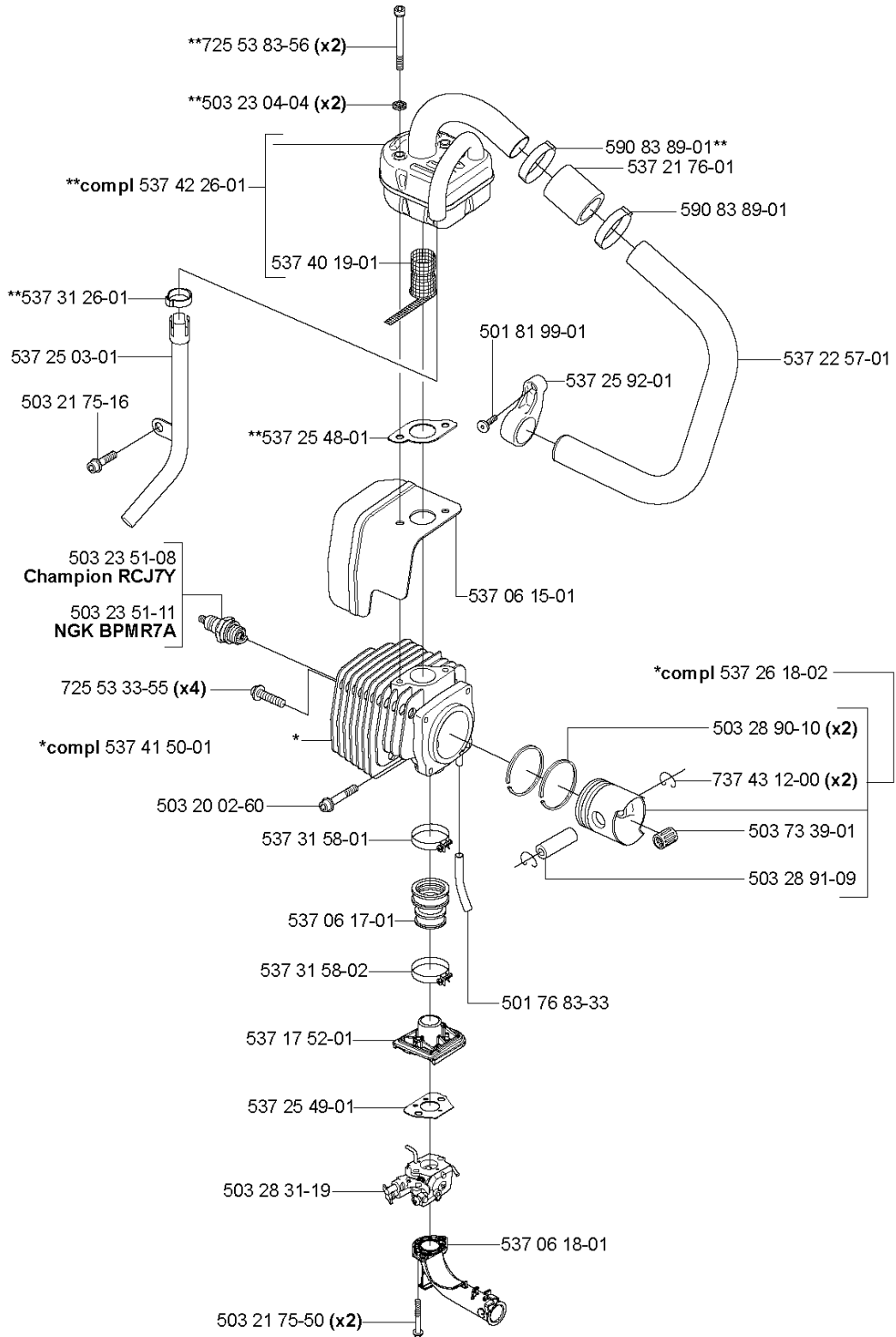
① 537 24 36-01  
**Set of gaskets**  
**Dichtungssatz**  
**Juego de juntas**  
**Jeu de joints**  
**Packingsatz**

## CARBURETOR DETAILS

356 BT X-SERIES, 2004-10

| Part No      | Description         | Remark                      | QTY KIT |
|--------------|---------------------|-----------------------------|---------|
| 503 28 31-19 | CARBURETTOR         |                             | 1       |
| 503 47 92-01 | SCREW               |                             | 1       |
| 503 47 96-01 | SCREW               |                             | 1       |
| 503 47 97-01 | VALVE               |                             | 1       |
| 503 48 00-01 | PIN RETAINING SCREW |                             | 1       |
| 503 48 01-01 | SCREW               |                             | 1       |
| 503 48 02-01 | DIAPHRAGM           | 537 24 36-01 SET OF GASKETS | 1       |
| 503 48 03-01 | GASKET              | 537 24 36-01 SET OF GASKETS | 1       |
| 503 48 05-01 | SCREW               |                             | 2       |
| 503 48 11-01 | PIECE               |                             | 1       |
| 503 48 18-01 | SCREW               |                             | 1       |
| 503 53 56-01 | PLUG WELCH          |                             | 1       |
| 503 53 57-01 | STRAINER            |                             | 1       |
| 503 66 59-01 | LEVER               |                             | 1       |
| 503 75 53-01 | SCREW               |                             | 1       |
| 503 90 32-01 | LIMITER CAP         |                             | 1       |
| 503 90 33-01 | LIMITER CAP         |                             | 1       |
| 503 90 34-01 | RETAINER            |                             | 1       |
| 503 97 40-01 | WASHER              |                             | 2       |
| 503 97 43-01 | COVER               |                             | 1       |
| 537 01 25-01 | BALL                |                             | 1       |
| 537 01 26-01 | SPRING              |                             | 1       |
| 537 01 97-01 | SPRING              |                             | 1       |
| 537 02 00-01 | DIAPHRAGM PUMP      | 537 24 36-01 SET OF GASKETS | 1       |
| 537 02 01-01 | GASKET              | 537 24 36-01 SET OF GASKETS | 1       |
| 537 02 02-01 | COVER               |                             | 1       |
| 537 02 03-01 | SPRING              |                             | 1       |
| 537 02 07-01 | SCREW               |                             | 1       |
| 537 27 42-01 | BOOT                |                             | 1       |
| 537 27 55-01 | SCREW               | H                           | 1       |
| 537 27 56-01 | SCREW               | L                           | 1       |
| 537 37 03-01 | VALVE               |                             | 1       |
| 537 38 52-01 | CLIP                |                             | 1       |
| 537 39 00-01 | SHAFT ASSY          |                             | 1       |
| 537 39 01-01 | VALVE               |                             | 1       |
| 537 39 02-01 | SHAFT ASSY          |                             | 1       |

**E**

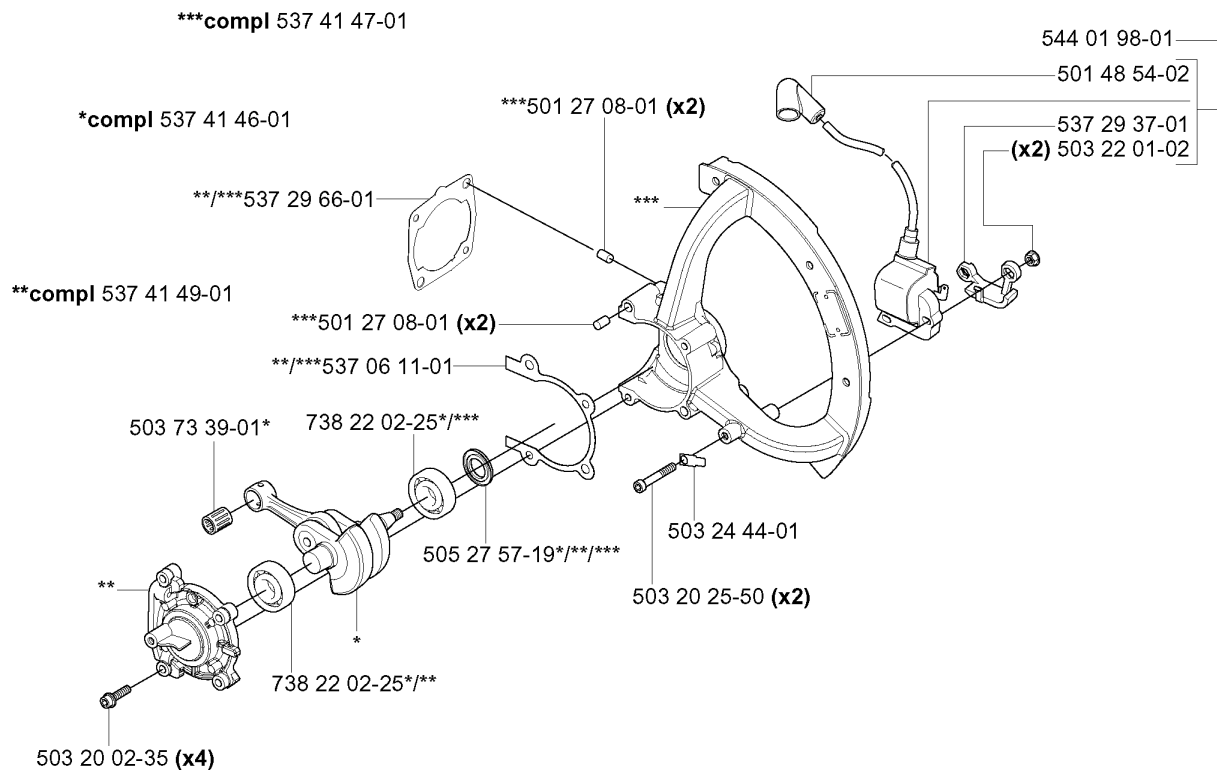


## CYLINDER, PISTON &amp; MUFFLER

356 BT X-SERIES, 2004-10

| Part No      | Description           | Remark         | QTY KIT |
|--------------|-----------------------|----------------|---------|
| 501 76 83-33 | FUEL HOSE             |                | 1       |
| 501 81 99-01 | SCREW                 |                | 1       |
| 503 20 02-60 | SCREW IHSCFM          |                | 1       |
| 503 21 75-16 | SCREW IHSCFT          |                | 1       |
| 503 21 75-50 | SCREW IHSCFT          |                | 2       |
| 503 23 04-04 | WASHER                |                | 2       |
| 503 23 51-08 | SPARK PLUG            | CHAMPION RCJ7Y | 1       |
| 503 23 51-11 | SPARK PLUG            | NGK BPMR7A     | 1       |
| 503 28 31-19 | CARBURETTOR           |                | 1       |
| 503 28 90-10 | PISTON RING           |                | 2       |
| 503 28 91-09 | PISTON PIN            |                | 1       |
| 503 73 39-01 | BEARING               |                | 1       |
| 537 06 15-01 | HEAT DEFLECTOR        |                | 1       |
| 537 06 17-01 | INLET PIPE            |                | 1       |
| 537 06 18-01 | INLET BEND            |                | 1       |
| 537 17 52-01 | BRACKET               |                | 1       |
| 537 21 76-01 | HOSE                  |                | 1       |
| 537 22 57-01 | PIPE                  |                | 1       |
| 537 25 03-01 | OUTLET PIPE           |                | 1       |
| 537 25 48-01 | GASKET                |                | 1       |
| 537 25 49-01 | GASKET                |                | 1       |
| 537 25 92-01 | BRACKET               |                | 1       |
| 537 26 18-02 | PISTON                |                | 1       |
| 537 31 26-01 | HOSE CLAMP            |                | 1       |
| 537 31 58-01 | HOSE CLAMP            |                | 1       |
| 537 31 58-02 | HOSE CLAMP            |                | 1       |
| 537 40 19-01 | SPARK ARRESTER SCREEN |                | 1       |
| 537 41 50-01 | PISTON                |                | 1       |
| 537 42 26-01 | MUFFLER               |                | 1       |
| 590 83 89-01 | HOSE CLAMP            |                | 1       |
| 590 83 89-01 | HOSE CLAMP            |                | 1       |
| 725 53 33-55 | SCREW IHSCM           |                | 4       |
| 725 53 83-56 | SCREW IHSCM           |                | 2       |
| 737 43 12-00 | SNAP RING             |                | 2       |

# D



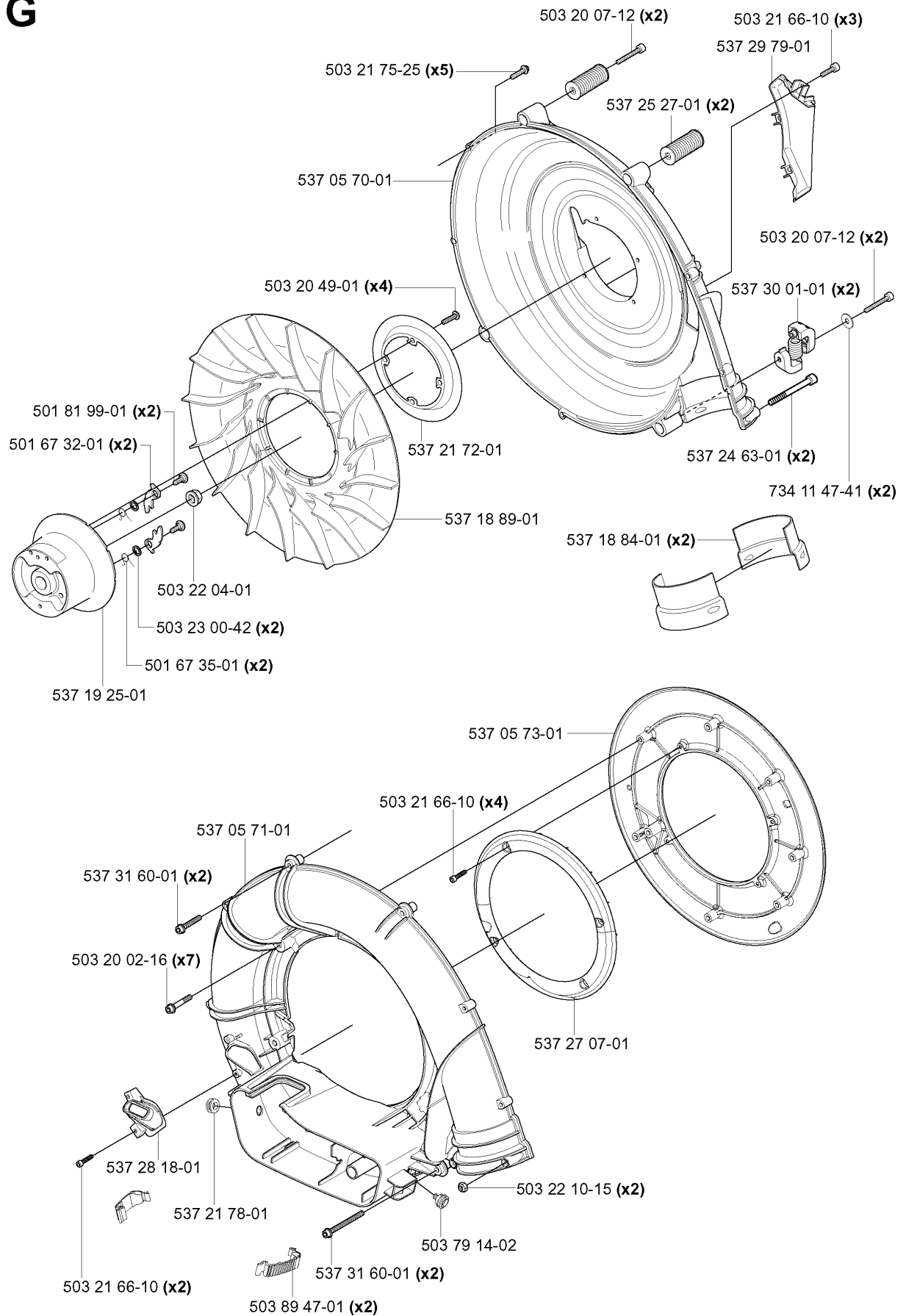


## ENGINE

356 BT X-SERIES, 2004-10

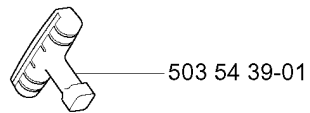
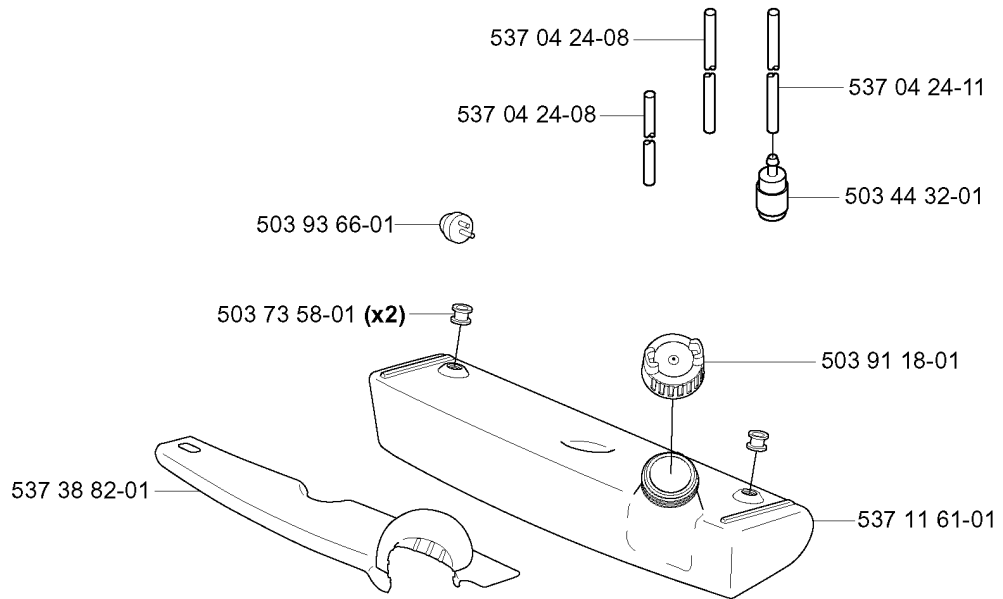
| Part No      | Description     | Remark | QTY KIT |
|--------------|-----------------|--------|---------|
| 501 27 08-01 | GUIDE BUSHING   |        | 2       |
| 501 27 08-01 | GUIDE BUSHING   |        | 2       |
| 501 48 54-02 | SPARK PLUG CAP  |        | 1       |
| 503 20 02-35 | SCREW IHSCFM    |        | 4       |
| 503 20 25-50 | SCREW IHSCM     |        | 2       |
| 503 22 01-02 | NUT FLANGE      |        | 2       |
| 503 24 44-01 | FLAT PIN        |        | 1       |
| 503 73 39-01 | BEARING         |        | 1       |
| 505 27 57-19 | SEALING RING    |        | 1       |
| 537 06 11-01 | GASKET          |        | 1       |
| 537 29 37-01 | RETAINER        |        | 1       |
| 537 29 66-01 | GASKET          |        | 1       |
| 537 41 46-01 | CRANKSHAFT ASSY |        | 1       |
| 537 41 47-01 | CRANKCASE ASSY  |        | 1       |
| 537 41 49-01 | HUB CAP         |        | 1       |
| 544 01 98-01 | IGNITION SYSTEM |        | 1       |
| 738 22 02-25 | BALL BEARING    |        | 1       |
| 738 22 02-25 | BALL BEARING    |        | 1       |

**G**

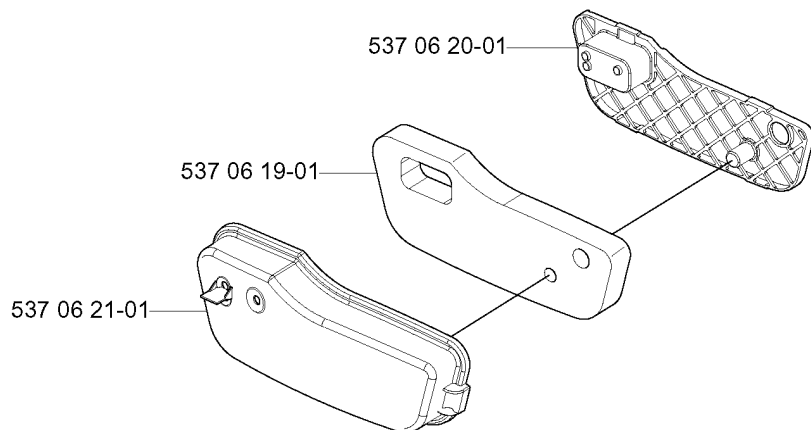
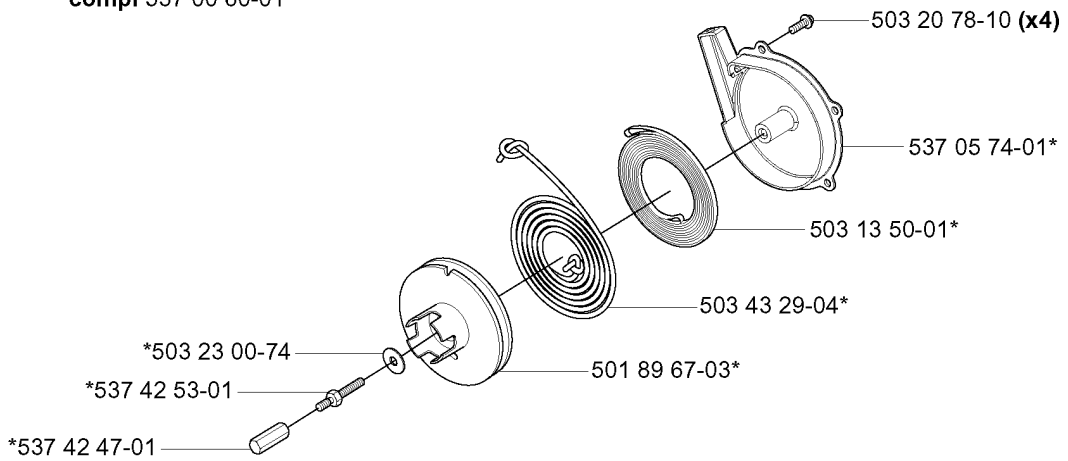


| Part No      | Description           | Remark | QTY KIT |
|--------------|-----------------------|--------|---------|
| 501 67 32-01 | PAWL                  |        | 2       |
| 501 67 35-01 | SPRING                |        | 2       |
| 501 81 99-01 | SCREW                 |        | 2       |
| 503 20 02-16 | SCREW IHSCFM          |        | 7       |
| 503 20 07-12 | SCREW IHSCFM          |        | 2       |
| 503 20 07-12 | SCREW IHSCFM          |        | 2       |
| 503 20 49-01 | SCREW IHPANM          |        | 4       |
| 503 21 66-10 | SCREW IH SCT          |        | 2       |
| 503 21 66-10 | SCREW IH SCT          |        | 4       |
| 503 21 66-10 | SCREW IH SCT          |        | 3       |
| 503 21 75-25 | SCREW IHSCFT          |        | 5       |
| 503 22 04-01 | NUT                   |        | 1       |
| 503 22 10-15 | HEXAGON NUT           |        | 2       |
| 503 23 00-42 | WASHER                |        | 2       |
| 503 79 14-02 | GROMMET               |        | 1       |
| 503 89 47-01 | SNAP                  |        | 2       |
| 537 05 70-01 | FAN HOUSING           |        | 1       |
| 537 05 71-01 | FAN HOUSING           |        | 1       |
| 537 05 73-01 | GUIDE PLATE           |        | 1       |
| 537 18 84-01 | WEAR RING             |        | 2       |
| 537 18 89-01 | IMPELLER              |        | 1       |
| 537 19 25-01 | HUB                   |        | 1       |
| 537 21 72-01 | ATTACHMENT PLATE      |        | 1       |
| 537 21 78-01 | GROMMET               |        | 1       |
| 537 24 63-01 | SCREW                 |        | 2       |
| 537 25 27-01 | ANTIVIBRATION ELEMENT |        | 2       |
| 537 27 07-01 | AIR CONDUCTOR         |        | 1       |
| 537 28 18-01 | AIR NOZZLE            |        | 1       |
| 537 29 79-01 | AIR CONDUCTOR         |        | 1       |
| 537 30 01-01 | ANTIVIBRATION ELEMENT |        | 2       |
| 537 31 60-01 | SCREW IHSCFM          |        | 2       |
| 537 31 60-01 | SCREW IHSCFM          |        | 2       |
| 734 11 47-41 | WASHER                |        | 2       |

# H



\*compl 537 00 60-01

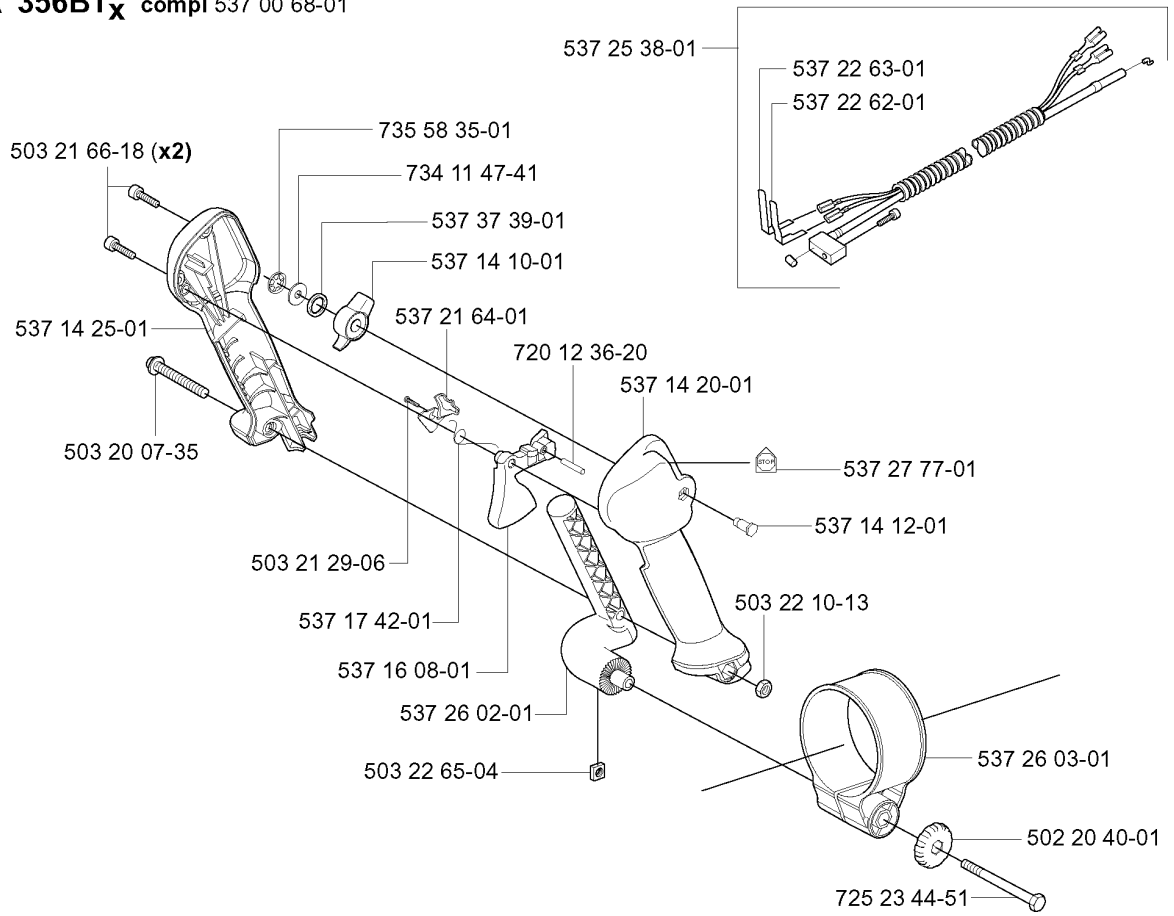


## FUEL TANK, STARTER &amp; AIR FILTER

356 BT X-SERIES, 2004-10

| Part No      | Description     | Remark | QTY KIT |
|--------------|-----------------|--------|---------|
| 501 89 67-03 | STARTER PULLEY  |        | 1       |
| 503 13 50-01 | RECOIL SPRING   |        | 1       |
| 503 20 78-10 | SCREW IHSCFM    |        | 4       |
| 503 23 00-74 | WASHER          |        | 1       |
| 503 43 29-04 | STARTER CORD    |        | 1       |
| 503 44 32-01 | FUEL FILTER     |        | 1       |
| 503 54 39-01 | STARTER HANDLE  |        | 1       |
| 503 73 58-01 | BUSHING         |        | 2       |
| 503 91 18-01 | TANK CAP        |        | 1       |
| 503 93 66-01 | PURGE           |        | 1       |
| 537 00 60-01 | STARTER         |        | 1       |
| 537 04 24-08 | FUEL HOSE       |        | 1       |
| 537 04 24-08 | FUEL HOSE       |        | 1       |
| 537 04 24-11 | FUEL HOSE       |        | 1       |
| 537 05 74-01 | STARTER HOUSING |        | 1       |
| 537 06 19-01 | AIR FILTER      |        | 1       |
| 537 06 20-01 | GRID            |        | 1       |
| 537 06 21-01 | HUB CAP         |        | 1       |
| 537 11 61-01 | FUEL TANK       |        | 1       |
| 537 38 82-01 | COVER           |        | 1       |
| 537 42 47-01 | SPACER          |        | 1       |
| 537 42 53-01 | SCREW           |        | 1       |

**A** 356BT<sub>x</sub> compl 537 00 68-01

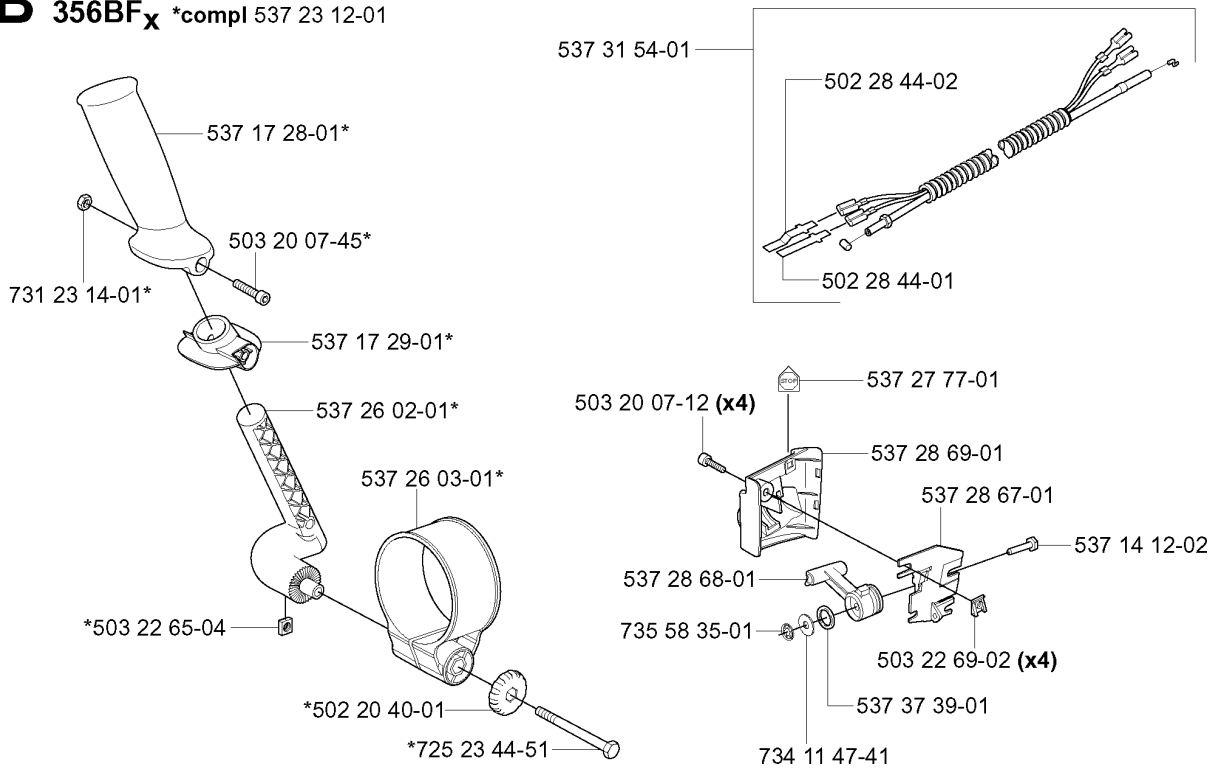


## HANDLE &amp; CONTROLS

356 BT X-SERIES, 2004-10

| Part No      | Description          | Remark | QTY KIT |
|--------------|----------------------|--------|---------|
| 502 20 40-01 | KNOB                 |        | 1       |
| 503 20 07-35 | SCREW IHSCFM         |        | 1       |
| 503 21 29-06 | SCREW CCRPANT        |        | 1       |
| 503 21 66-18 | SCREW IHSCT          |        | 2       |
| 503 22 10-13 | HEXAGON NUT          |        | 1       |
| 503 22 65-04 | SQUARE NUT           |        | 1       |
| 537 00 68-01 | HANDLE ASSY          |        | 1       |
| 537 14 10-01 | LEVER                |        | 1       |
| 537 14 12-01 | SHAFT                |        | 1       |
| 537 14 20-01 | CASE                 |        | 1       |
| 537 14 25-01 | CASE                 |        | 1       |
| 537 16 08-01 | THROTTLE TRIGGER     |        | 1       |
| 537 17 42-01 | SPRING THROTTLE TRIG |        | 1       |
| 537 21 64-01 | STOPPER              |        | 1       |
| 537 22 62-01 | CONNECTOR            |        | 1       |
| 537 22 63-01 | CONNECTOR            |        | 1       |
| 537 25 38-01 | WIRING ASSY          |        | 1       |
| 537 26 02-01 | STAY                 |        | 1       |
| 537 26 03-01 | BRACKET              |        | 1       |
| 537 27 77-01 | PLATE                |        | 1       |
| 537 37 39-01 | SPRING               |        | 1       |
| 720 12 36-20 | PARALLEL PIN         |        | 1       |
| 725 23 44-51 | SCREW EHHM           |        | 1       |
| 734 11 47-41 | WASHER               |        | 1       |
| 735 58 35-01 | WASHER               |        | 1       |

**B** 356BF<sub>x</sub> \*compl 537 23 12-01



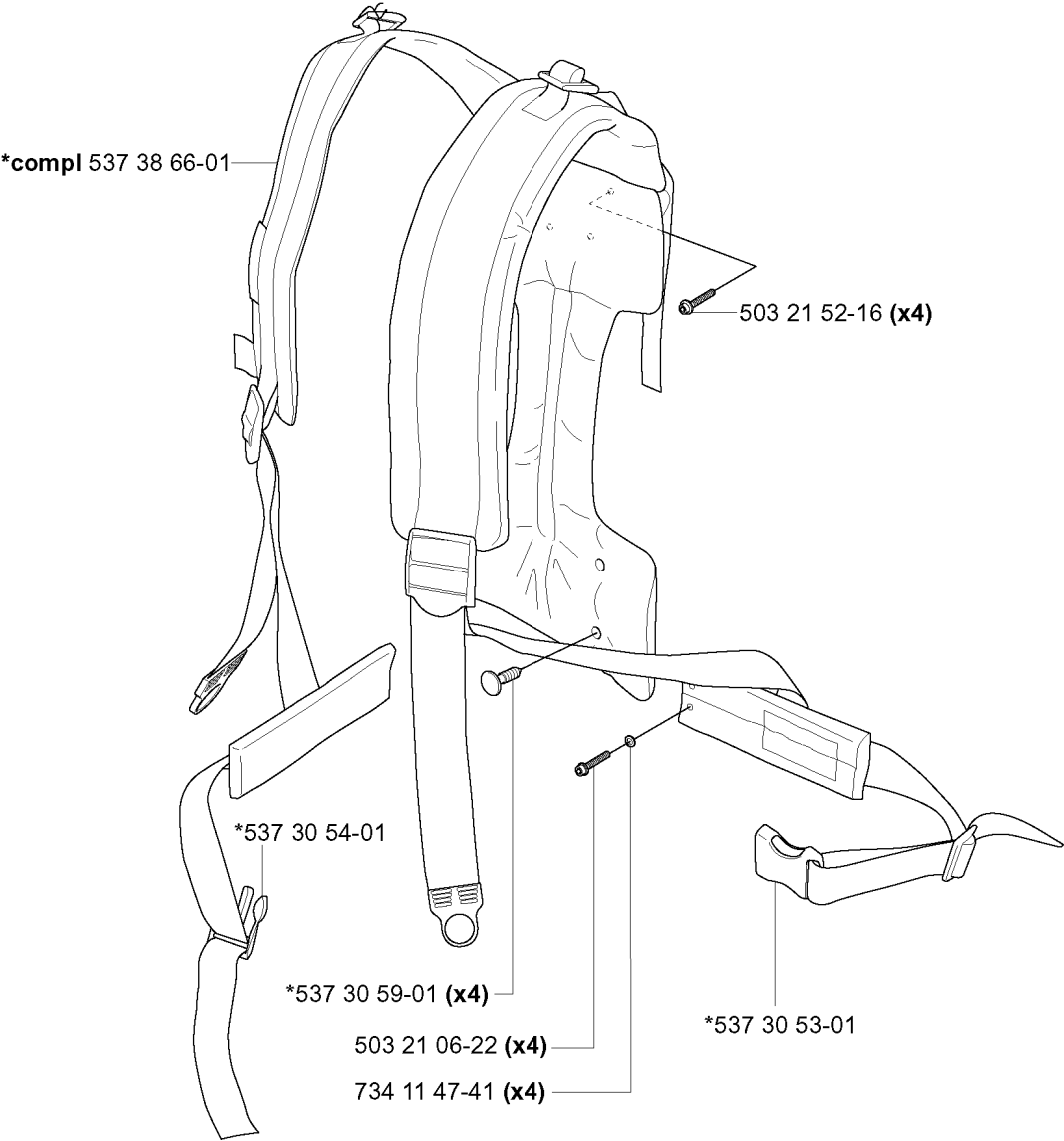


## HANDLE &amp; CONTROLS

356 BT X-SERIES, 2004-10

| Part No      | Description  | Remark | QTY KIT |
|--------------|--------------|--------|---------|
| 502 20 40-01 | KNOB         |        | 1       |
| 502 28 44-01 | SPRING       |        | 1       |
| 502 28 44-02 | SPRING       |        | 1       |
| 503 20 07-12 | SCREW IHSCFM |        | 4       |
| 503 20 07-45 | SCREW IHSCFM |        | 1       |
| 503 22 65-04 | SQUARE NUT   |        | 1       |
| 503 22 69-02 | NUT          |        | 4       |
| 537 14 12-02 | SHAFT PIVOT  |        | 1       |
| 537 17 28-01 | HANDLE       |        | 1       |
| 537 17 29-01 | COVER        |        | 1       |
| 537 23 12-01 | HANDLE       |        | 1       |
| 537 26 02-01 | STAY         |        | 1       |
| 537 26 03-01 | BRACKET      |        | 1       |
| 537 27 77-01 | PLATE        |        | 1       |
| 537 28 67-01 | BRACKET      |        | 1       |
| 537 28 68-01 | HANDLE       |        | 1       |
| 537 28 69-01 | COVER        |        | 1       |
| 537 31 54-01 | WIRING       |        | 1       |
| 537 37 39-01 | SPRING       |        | 1       |
| 725 23 44-51 | SCREW EHHM   |        | 1       |
| 731 23 14-01 | HEXAGON NUT  |        | 1       |
| 734 11 47-41 | WASHER       |        | 1       |
| 735 58 35-01 | WASHER       |        | 1       |

**K**

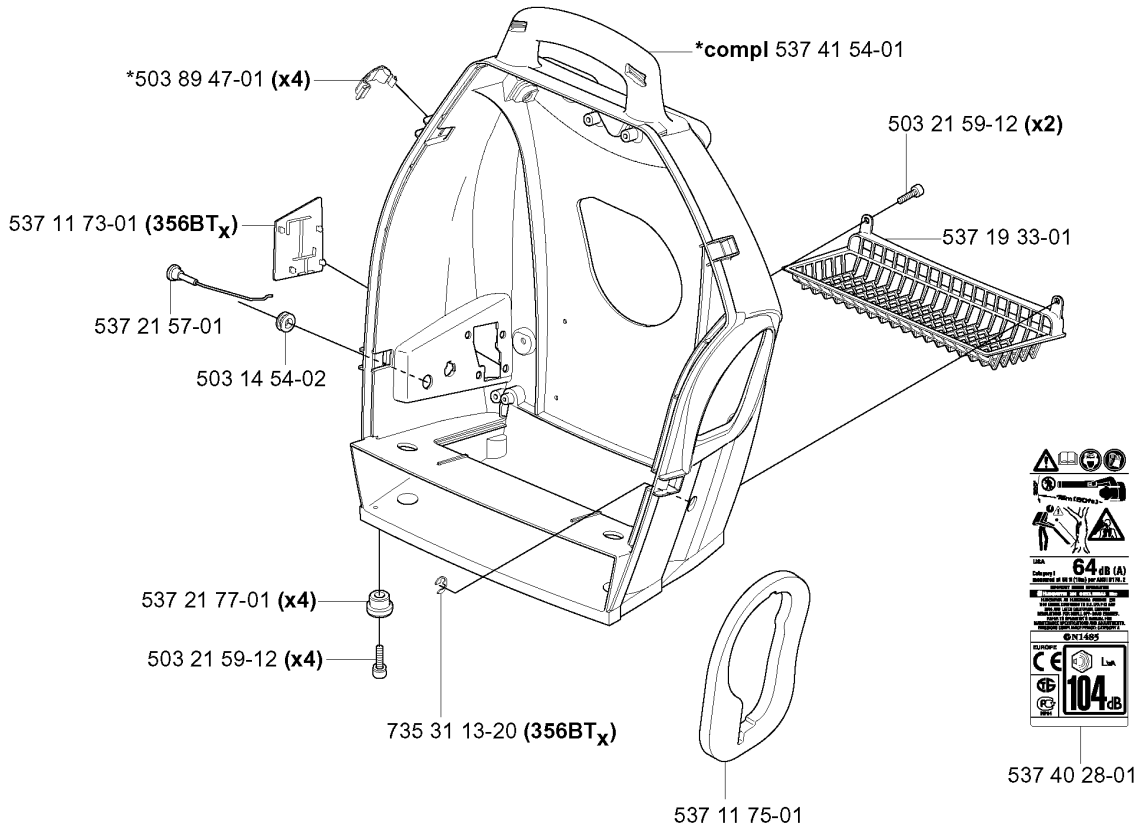


## HARNESS

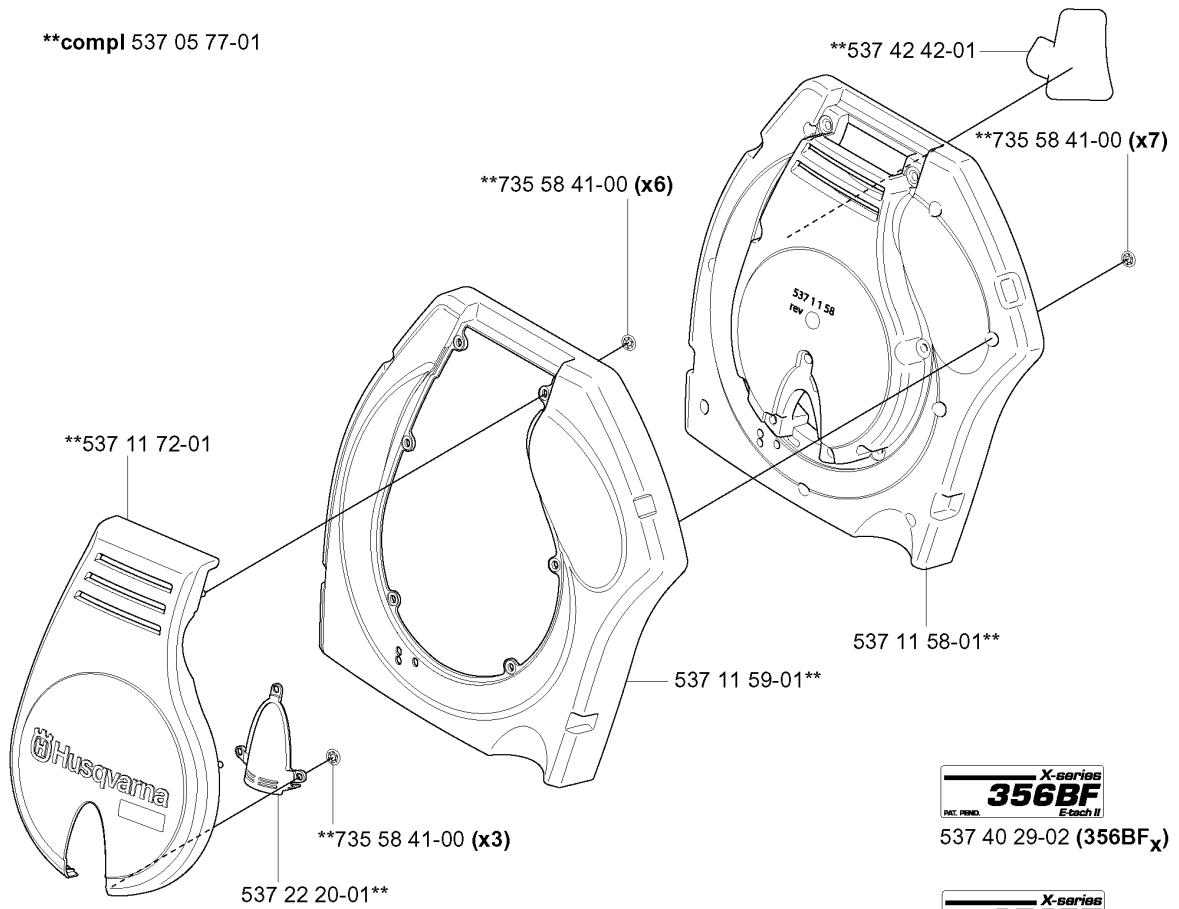
356 BT X-SERIES, 2004-10

| Part No      | Description   | Remark | QTY KIT |
|--------------|---------------|--------|---------|
| 503 21 06-22 | SCREW IHSC T  |        | 4       |
| 503 21 52-16 | SCREW IHSC FT |        | 4       |
| 537 30 53-01 | BUCKLE        |        | 1       |
| 537 30 54-01 | BUCKLE        |        | 1       |
| 537 30 59-01 | RIVET         |        | 4       |
| 537 38 66-01 | HARNESS ASSY  |        | 1       |
| 734 11 47-41 | WASHER        |        | 4       |

F



\*\*compl 537 05 77-01



537 40 29-02 (356BF<sub>x</sub>)



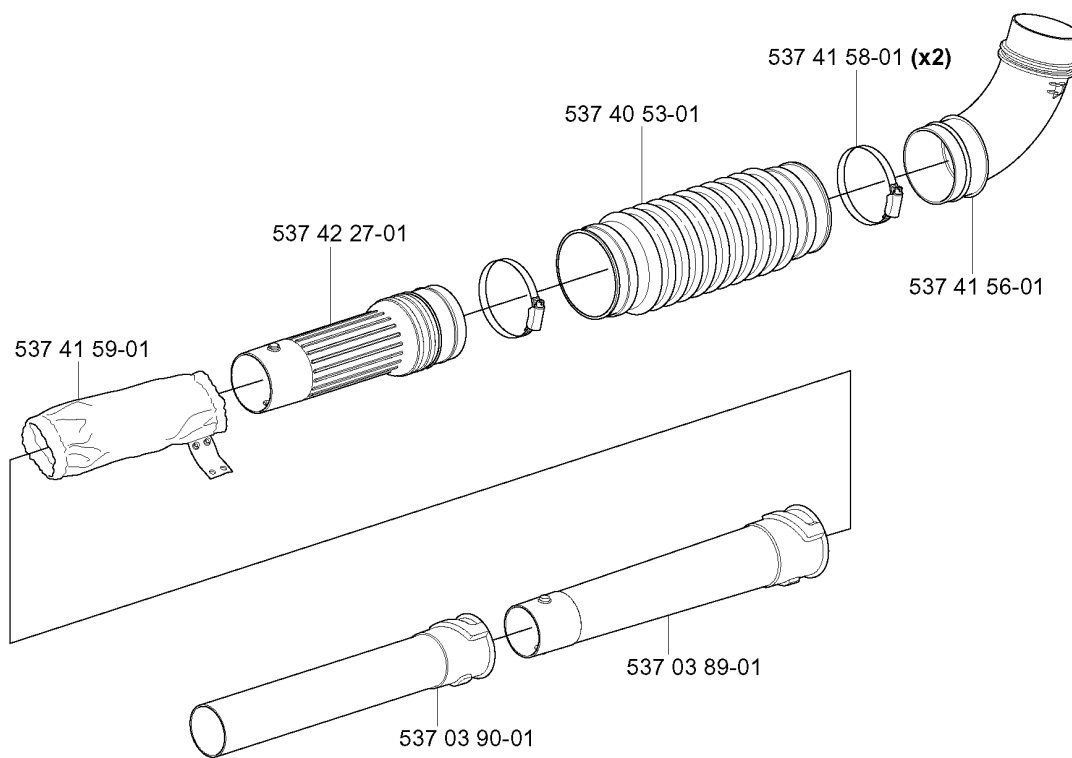
537 40 29-01 (356BT<sub>x</sub>)

## HOUSING

356 BT X-SERIES, 2004-10

| Part No      | Description    | Remark | QTY KIT |
|--------------|----------------|--------|---------|
| 503 14 54-02 | GROMMET        |        | 1       |
| 503 21 59-12 | SCREW IHSCT    |        | 4       |
| 503 21 59-12 | SCREW IHSCT    |        | 2       |
| 503 89 47-01 | SNAP           |        | 4       |
| 537 05 77-01 | HUB CAP        |        | 1       |
| 537 11 58-01 | INSULATING     |        | 1       |
| 537 11 59-01 | HUB CAP        |        | 1       |
| 537 11 72-01 | HUB CAP        |        | 1       |
| 537 11 73-01 | COVER          | 356BTX | 1       |
| 537 11 75-01 | INSULATING     |        | 1       |
| 537 19 33-01 | GRID           |        | 1       |
| 537 21 57-01 | CHOKE CONTROL  |        | 1       |
| 537 21 77-01 | BASE           |        | 4       |
| 537 22 20-01 | EXHAUST COVER  |        | 1       |
| 537 40 28-01 | LABEL          |        | 1       |
| 537 40 29-01 | LABEL          | 356BTX | 1       |
| 537 40 29-02 | LABEL          | 356BFX | 1       |
| 537 41 54-01 | CHASSIS        |        | 1       |
| 537 42 42-01 | ALUMINIUM FOIL |        | 1       |
| 735 31 13-20 | E-CLIP         | 356BTX | 1       |
| 735 58 41-00 | WASHER         |        | 3       |
| 735 58 41-00 | WASHER         |        | 6       |
| 735 58 41-00 | WASHER         |        | 7       |

**C**



## TUBE

356 BT X-SERIES, 2004-10

| Part No      | Description | Remark | QTY KIT |
|--------------|-------------|--------|---------|
| 537 03 89-01 | PIPE        |        | 1       |
| 537 03 90-01 | PIPE        |        | 1       |
| 537 40 53-01 | BELLOWS     |        | 1       |
| 537 41 56-01 | PIPE BEND   |        | 1       |
| 537 41 58-01 | HOSE CLAMP  |        | 2       |
| 537 41 59-01 | COVER       |        | 1       |
| 537 42 27-01 | PIPE        |        | 1       |

# Illustrated Parts List - IPL Update



Product Name(s)

**356BT X-series**

Description of change

New supplier of hose clamp.

Comments

Fully interchangeable

Introduced from

| <b>Serial number / Date</b> | <b>Remark</b> |
|-----------------------------|---------------|
| 2017-05                     |               |

IPL updates

| <b>Page title</b>          | <b>Seq no</b> | <b>New part no</b> | <b>Name</b> | <b>Excl. part no.</b> | <b>Remark</b> |
|----------------------------|---------------|--------------------|-------------|-----------------------|---------------|
| Cylinder, piston & muffler | 32, 34        | 590 83 89-01       | Hose clamp  | 537 31 25-01          |               |
|                            |               |                    |             |                       |               |
|                            |               |                    |             |                       |               |
|                            |               |                    |             |                       |               |