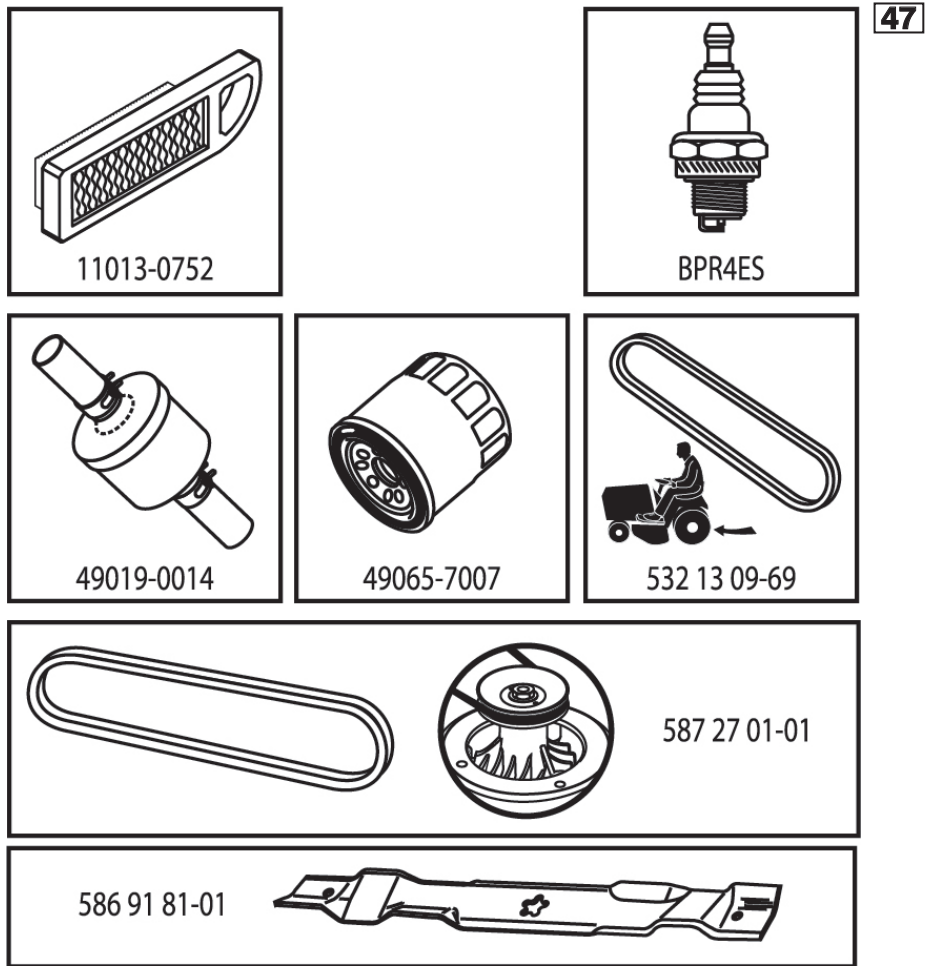


ILLUSTRATED PARTS LIST

MFG. ID NO. 96041040200

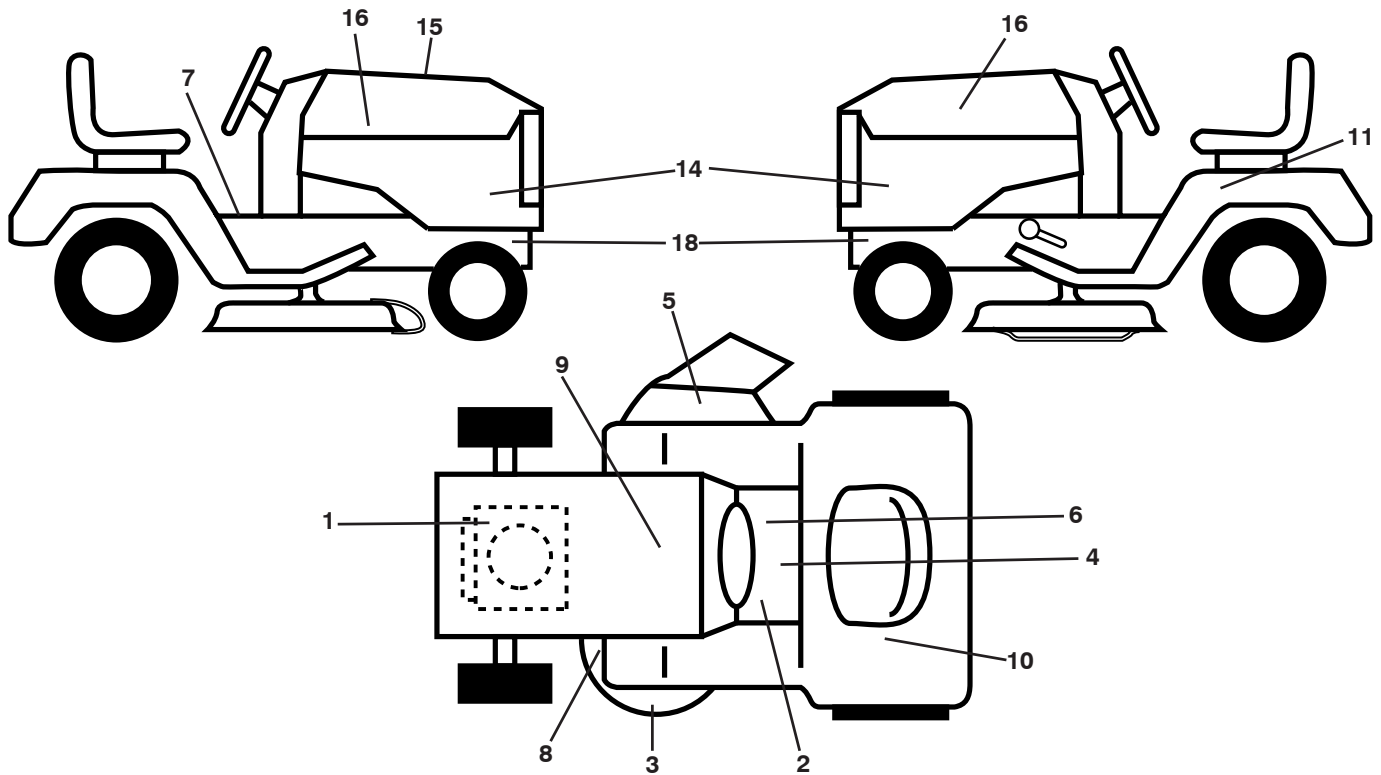
CUSTOMER CATALOG NO. TS 342

PRODUCT NO. 960 41 04-02



590412201

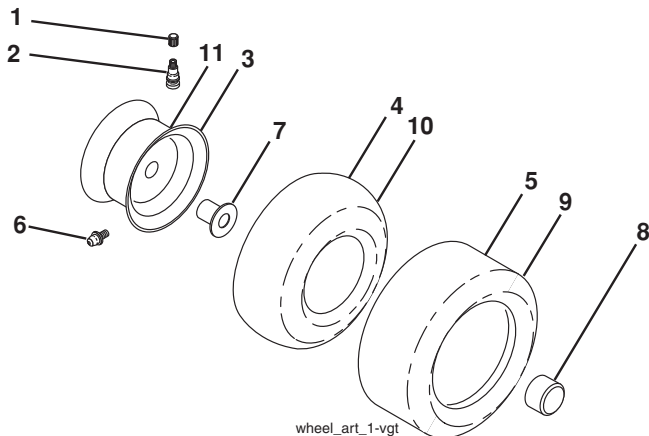
**TRACTOR - - MODEL NO. TS 342 (96041040200), PRODUCT NO. 960 41 04-02
DECALS 27**



| KEY NO. | PART NO. | DESCRIPTION |
|---------|--------------|------------------------------|
| 1 | 581 57 97-01 | Decal, Engine Warn. |
| 2 | 581 72 40-01 | Decal, Brake Clutch |
| 3 | 589 35 79-01 | Decal, Warn. No Step |
| 4 | 586 80 03-01 | Decal, Tractor Saddle |
| 5 | 579 81 79-01 | Decal, Deflect. Warn. |
| 6 | 581 57 80-01 | Decal, Parking Brake |
| 7 | 581 57 81-01 | Decal, Warn. Sym. |
| 8 | 581 58 00-01 | Decal, Mower Sch. |
| 9 | 532 14 50-05 | Decal, Battery Dan./Poi. |
| 10 | 587 01 51-01 | Decal, Reserve Fuel Selector |
| 11 | 501 08 26-01 | Decal, ECM Aust. |

| KEY NO. | PART NO. | DESCRIPTION |
|---------|--------------|-------------------------------------|
| 14 | 587 39 71-01 | Decal, Panel Side |
| 15 | 590 41 22-01 | Decal, Rep. Parts |
| 16 | 581 62 73-01 | Decal, Hood Logo |
| 18 | 581 57 96-01 | Decal, Chassis Hot Muffler |
| -- | 501 74 90-01 | Decal, Drawbar Locking Differential |
| -- | 581 72 46-01 | Decal, Drawbar |
| -- | 581 72 48-01 | Decal, Bypass |
| -- | 532 43 98-82 | Pad, Footrest, LH |
| -- | 532 43 98-81 | Pad, Footrest, RH |
| -- | 590 44 10-01 | Manual, Operator's (English) |

WHEELS AND TIRES

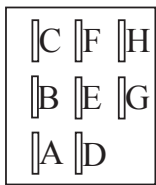
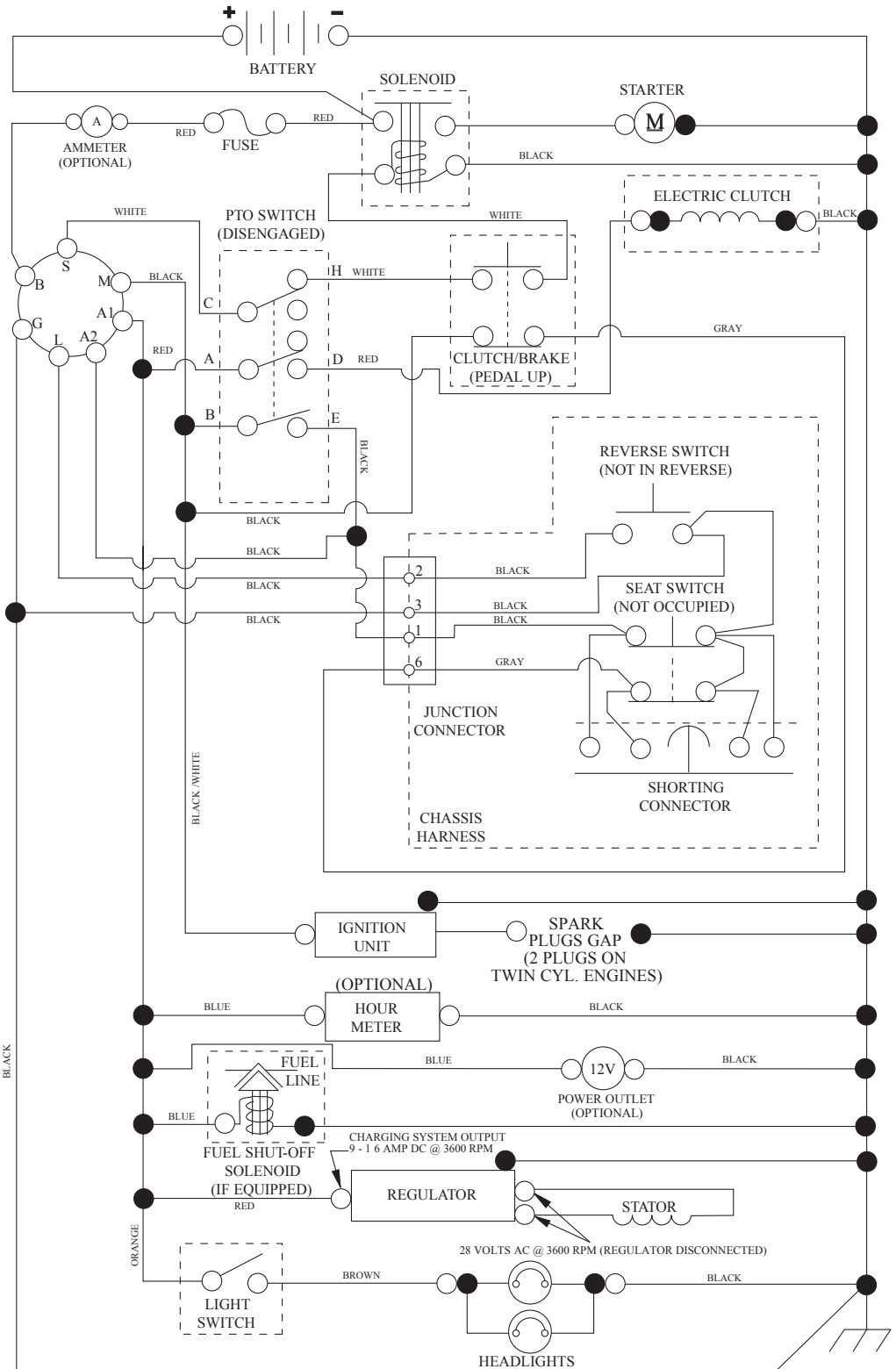


| KEY NO. | PART NO. | DESCRIPTION |
|---------|--------------|------------------------------------|
| 1 | 532 05 91-92 | Cap, Valve, Tire |
| 2 | 532 06 51-39 | Stem, Valve |
| 3 | 532 13 83-36 | Rim Assembly, Front |
| 4 | 532 05 99-04 | Tube, Front (Service Item Only) |
| 5 | 532 17 04-55 | Tire, Front 15 x 6-6 |
| 6 | 532 12 49-57 | Fitting, Grease (Front Wheel Only) |
| 7 | 532 12 49-59 | Bearing, Flange (Front Wheel Only) |
| 8 | 532 17 50-39 | Cap, Axle |
| 9 | 532 17 04-56 | Tire, Rear 20 x 10-8 |
| 10 | 532 12 49-26 | Tube, Rear (Service Item Only) |
| 11 | 532 13 83-37 | Rim Assembly, Rear |
| -- | 532 14 43-34 | Sealant, Tire (10 oz. Tube) |

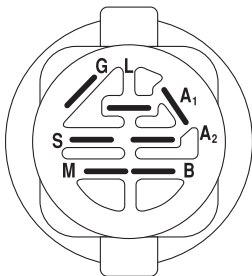
NOTE: All component dimensions given in U.S. inches
1 inch = 25.4 mm

TRACTOR - - MODEL NO. TS 342 (96041040200), PRODUCT NO. 960 41 04-02 SCHEMATIC 38

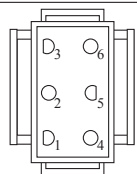
SCH12



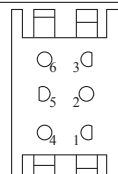
PTO SWITCH (MATING SIDE)



| POSITION | CIRCUIT "MAKE" |
|--------------|----------------|
| OFF | M+G+A1 |
| RUN/OVERRIDE | B+A1 |
| RUN | B+A1 L+A2 |
| START | B+S+A1 |



CHASSIS HARNESS CONNECTOR (MATING SIDE)



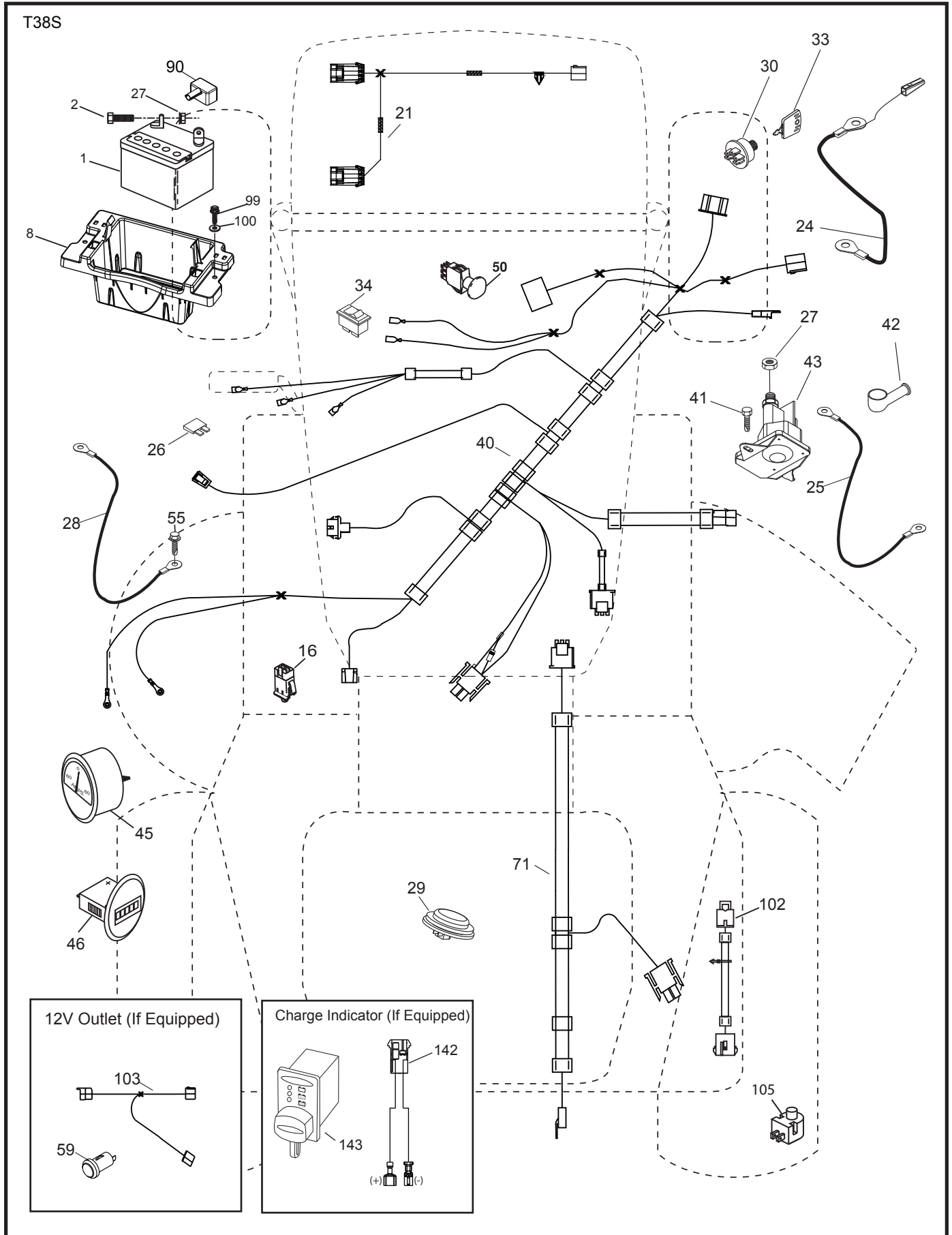
DASH HARNESS CONNECTOR

WIRING INSULATED CLIPS
NOTE: IF WIRING INSULATED CLIPS WERE REMOVED FOR SERVICING OF UNIT, THEY SHOULD BE RE-INSTALLED TO PROPERLY SECURE YOUR WIRING.

NON-REMOVABLE CONNECTIONS

REMOVABLE CONNECTIONS

TRACTOR - - MODEL NO. TS 342 (96041040200), PRODUCT NO. 960 41 04-02
ELECTRICAL 32



**TRACTOR - - MODEL NO. TS 342 (96041040200), PRODUCT NO. 960 41 04-02
ELECTRICAL 32**

| KEY NO. | PART NO. | DESCRIPTION |
|----------------|-----------------|----------------------------------|
| 1 | 532 16 34-65 | Battery |
| 2 | 874 76 04-12 | Bolt Hex Head 1/4-20 x 3/4 |
| 8 | 587 20 51-01 | Box Battery |
| 16 | 532 17 61-38 | Switch Interlock |
| 21 | 585 43 64-01 | Harness Light |
| 24 | 585 55 56-01 | Cable Battery |
| 25 | 585 55 55-01 | Cable Starter |
| 26 | 532 17 51-58 | Fuse |
| 27 | 873 51 04-00 | Nut Keps Hex 1/4-20 unc |
| 28 | 532 41 65-88 | Cable, Ground |
| 29 | 532 40 15-45 | Switch, Seat |
| 30 | 532 19 33-50 | Switch, Ign. |
| 33 | 532 41 19-35 | Key/Chain |
| 34 | 532 11 07-12 | Switch Light |
| 40 | 501 13 31-01 | Harness Ign. Dash |
| 41 | 817 72 04-08 | Screw Thd Cut 1/4-20 x 1/2 |
| 42 | 532 13 15-63 | Cover, Terminal |
| 43 | 582 04 28-01 | Solenoid |
| 45 | 587 55 39-03 | Ammeter Guage Round |
| 46 | 587 55 40-03 | Gauge Hrmtr |
| 50 | 582 10 76-01 | Switch PTO |
| 55 | 817 06 05-12 | Screw 5/16-18 x 3/4 |
| 71 | 532 19 42-76 | Harness Ign. Chassis |
| 79 | 532 17 52-42 | Socket Asm Bulb Twistlock |
| 90 | 532 43 53-95 | Cover Terminal Battery |
| 99 | 817 67 04-12 | Screw Hexwsh Thdrol 1/4-20 x 3/4 |
| 100 | 819 09 14-16 | Washer 9/32 x 7/8 x 16 Ga. |
| 102 | 532 40 44-54 | Harness Pigtail |
| 105 | 532 40 75-68 | Switch Reverse TT Pedal Control |

NOTE: All component dimensions given in U.S. inches
1 inch = 25.4 mm

**TRACTOR - - MODEL NO. TS 342 (96041040200), PRODUCT NO. 960 41 04-02
CHASSIS AND ENCLOSURES 39**

| KEY NO. | PART NO. | DESCRIPTION |
|---------|--------------|-----------------------------|
| 2 | 532 41 22-82 | Drawbar Lower |
| 3 | 532 44 44-81 | Applique |
| 5 | 582 09 11-01 | Dash |
| 14 | 532 44 11-77 | Hood |
| 15 | 585 42 03-01 | Lens LH |
| 18 | 587 52 34-01 | Grille |
| 25 | 585 42 02-01 | Lens RH |
| 36 | 817 06 05-12 | Screw 5/16-18 x 3/4 |
| 37 | 532 44 12-08 | Fender |
| 58 | 532 41 22-81 | Drawbar Upper |
| 68 | 817 49 05-08 | Screw Thdrol 5/16-18 x 1/2 |
| 125 | 581 68 48-01 | Clip Fuel Line |
| 130 | 532 41 63-58 | Screw 10 x .750 BOS Thread |
| 137 | 532 40 75-90 | Bumper Dash |
| 146 | 581 85 79-01 | Bolt |
| 150 | 532 43 97-74 | Air Duct |
| 151 | 532 43 66-70 | Bracket Pivot Hood |
| 152 | 532 43 98-70 | Shield Browning |
| 159 | 817 00 06-12 | Screw 3/8-16 x 3/4 |
| 161 | 532 43 99-29 | Window, Fuel |
| 162 | 532 14 24-32 | Screw Hex Wsh 1/4 x 1/2 unc |
| 165 | 532 19 43-30 | Support Tank Rear |
| 175 | 532 19 63-04 | Crossmember |
| 176 | 532 40 07-76 | Screw 10-24 x 5/8 |
| 177 | 532 19 52-28 | Bushing Steering |
| 180 | 532 44 55-59 | Chassis |
| 182 | 532 40 68-59 | Dash Lower |
| 183 | 874 52 05-20 | Bolt 5/16-18 x1-1/4 |
| 189 | 817 00 05-12 | Screw 5/16-18 x 3/4 |
| 191 | 586 18 28-01 | Insert Reflective RH |
| 194 | 873 90 05-00 | Nut Lock Hex Flange 5/16-18 |

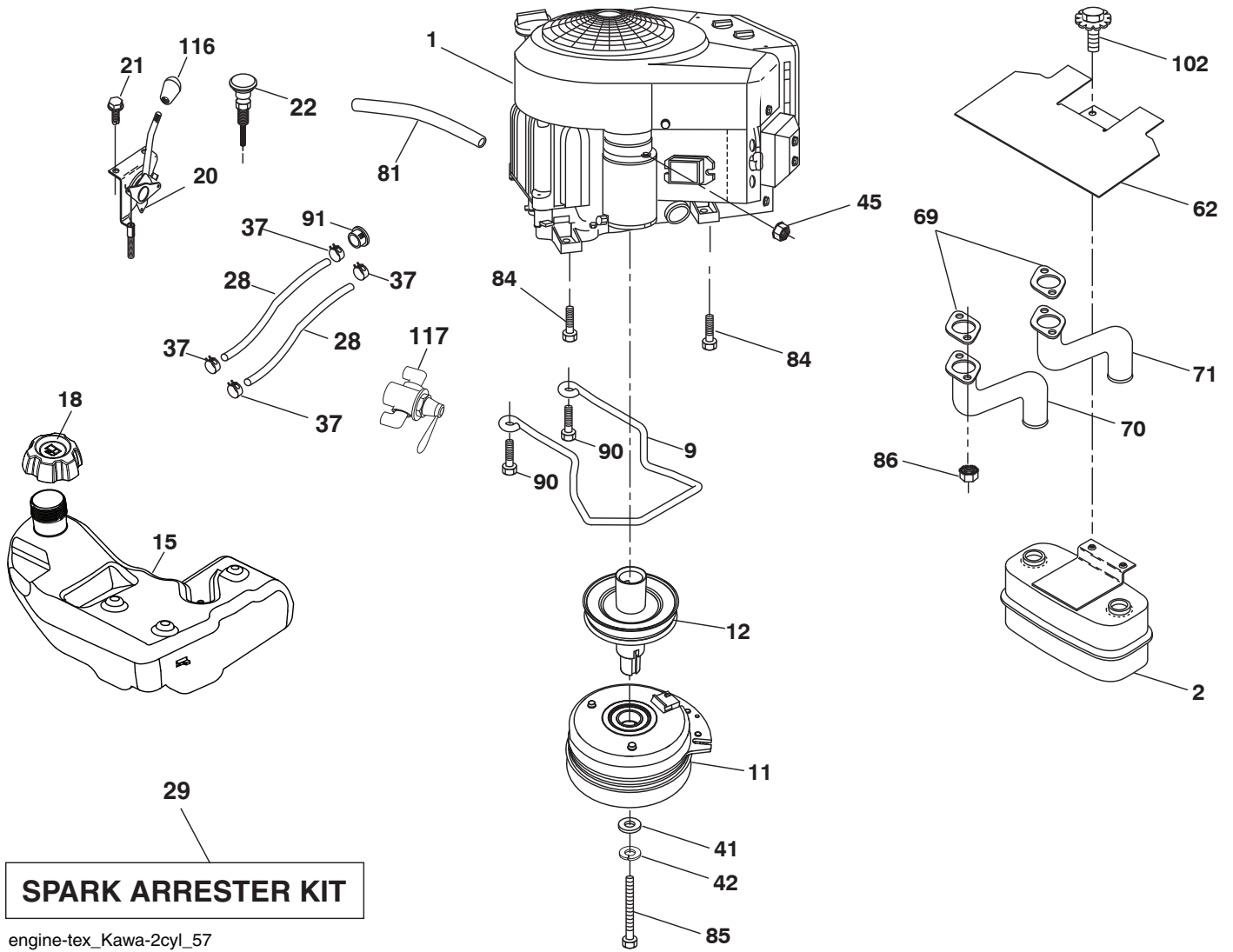
| KEY NO. | PART NO. | DESCRIPTION |
|---------|--------------|--------------------------|
| 195 | 532 40 41-37 | Plug Hole Dash |
| 196 | 532 43 97-16 | Console Deck Lift |
| 199 | 532 19 82-59 | Plate Deck Lift |
| 202 | 532 43 97-28 | Vent Side Hood RH |
| 203 | 532 43 97-27 | Vent Side Hood LH |
| 204 | 532 44 44-84 | Vent Top Hood |
| 205 | 532 43 97-30 | Trim Hood Side RH |
| 206 | 532 43 97-29 | Trim Hood Side LH |
| 207 | 585 42 00-02 | Bezel RH |
| 208 | 585 42 01-02 | Bezel LH |
| 214 | 532 19 91-45 | Clip Retainer Tinner |
| 217 | 532 40 91-67 | Rod Pivot |
| 221 | 532 19 89-09 | Reflector LH |
| 228 | 532 19 51-61 | Stud Fastner |
| 235 | 532 40 61-29 | Spacer Fender |
| 236 | 873 93 05-00 | Nut Lock 5/16-18 unc |
| 296 | 585 42 05-01 | LED Light LH |
| 297 | 586 18 29-01 | Insert Reflective LH |
| 299 | 585 42 04-01 | LED Light RH |
| 306 | 873 90 06-00 | Nut Lock |
| 335 | 532 44 82-04 | Cover RH Lower Close Out |
| 336 | 532 44 53-09 | Cover LH Lower Close Out |
| 350 | 532 44 51-43 | Clip X-mas Tree |
| 375 | 586 90 82-01 | Dash Clip-On Bumper |
| -- | 532 43 18-82 | Kit Guard Brush |

NOTE: All component dimensions given in U.S. inches
1 inch = 25.4 mm

**TRACTOR - - MODEL NO. TS 342 (96041040200), PRODUCT NO. 960 41 04-02
DRIVE **40****

| KEY NO. | PART NO. | DESCRIPTION | KEY NO. | PART NO. | DESCRIPTION |
|---------|--------------|--|---------|--------------|----------------------------------|
| 1 | --- | Transaxle, TUFFTORQ K46CR (501051401) (Order parts from transaxle manufacturer.) | 185 | 872 11 06-22 | Bolt Rdhd Sqnk 3/8-16 x 2-1/2 |
| 2 | 532 12 35-83 | Key | 186 | 532 19 43-21 | Spacer Retainer |
| 15 | 819 13 13-16 | Washer 13/32 x 13/16 x 16 Ga. | 187 | 819 13 32-10 | Washer |
| 17 | 532 41 36-78 | Spring, Brake | 188 | 582 21 70-01 | Link Clutch Ground Drive, Long |
| 26 | 532 19 96-79 | Spring Return Cruise | 189 | 532 19 43-17 | Bellcrank Ground Drive |
| 29 | 532 40 38-06 | Rod, Brake | 190 | 532 19 43-18 | Keeper Bellcrank Ground Drive |
| 33 | 812 00 00-01 | Ring E | 196 | 817 00 06-16 | Screw 3/8-16 x 1 |
| 35 | 583 86 45-01 | Rod, Brake, Park | 197 | 587 40 20-01 | Bracket Clutch Anti-Rotation |
| 42 | 532 12 48-72 | Cover, Foot Pedal | 205 | 532 12 17-48 | Washer |
| 49 | 872 11 06-14 | Bolt | 206 | 532 44 85-96 | Bracket Mount Latch Cruise |
| 50 | 532 19 43-27 | Pulley Idler Flat | 207 | 587 03 14-01 | Latch Control Cruise |
| 51 | 873 90 06-00 | Lock Nut 3/8-16 | 208 | 532 19 78-69 | Gear Sector Control Cruise |
| 52 | 532 19 43-26 | Idler V-Groove | 209 | 532 19 95-92 | Rod Control Cruise |
| 56 | 532 13 09-69 | V-Belt, Drive | 210 | 532 19 78-60 | Rocker Asm. Pedal Control |
| 64 | 532 19 78-65 | Shaft Asm. Pedal Brake Control | 211 | 532 12 01-83 | Bearing Nylon |
| 69 | 532 42 33-03 | Hairpin Soft Zink .059 x 1.125 | 213 | 532 40 31-19 | Knob Control Cruise |
| 70 | 532 43 96-61 | Console Shift | 214 | 532 41 68-63 | Pedal Forward |
| 73 | 874 49 05-40 | Bolt Hex Flghd 5/16-18 x 2-1/2 Gr. 5 | 215 | 586 60 65-02 | Pedal Reverse |
| 74 | 532 14 24-32 | Screw Hex Wsh. Hi-Lo 1/4 x 1/2 unc | 220 | 532 19 89-08 | Reflector RH |
| 92 | 874 76 05-20 | Bolt Fin Hex 5/16-18 unc x 1.25 | 221 | 532 40 31-87 | Retainer Spring Clip Handle |
| 99 | 582 40 45-01 | Rod Spring Bypass | 222 | 879 21 20-10 | Washer 21/32 x 1-1/4 x 10 Ga. |
| 116 | 873 90 05-00 | Nut Lock Hex Flange 5/16-18 | 225 | 532 40 33-19 | Keeper Belt Trans. |
| 125 | 817 00 05-12 | Screw 5/16-18 x 3/4 | 227 | 817 49 05-12 | Screw Thdrol 5/16-18 x 3/4 |
| 153 | 532 12 47-88 | Retainer Spring | 230 | 532 18 89-67 | Washer Hardened |
| 159 | 876 02 04-12 | Pin Cotter 1/8 x 3/4 | 231 | 532 40 72-87 | Idler V-Groove |
| 160 | 532 16 94-84 | Retainer Clip | 284 | 532 41 76-93 | Nut U-CHNL 1/4-20 550DP .350 PNL |
| 161 | 532 10 57-09 | Spring, Return, Clutch | 307 | 874 18 04-12 | Screw PHD 1/4-20 Box Drive |
| 163 | 532 44 82-75 | Rod Pedal Control | 325 | 586 43 12-02 | Torque Strap K46 LT RH |
| 166 | 532 42 91-64 | Nut Push | 326 | 586 00 11-02 | Bracket Trq Stp 46 20" Tire RH |
| 167 | 532 40 52-57 | Latch Brake Parking | 336 | 587 25 96-01 | Bolt 5/16-18 x 1-3/4 Flanged |
| 170 | 532 41 34-30 | Keeper Belt Centerspan | | | |
| 183 | 532 13 70-57 | Spacer Split | | | |
| 184 | 587 65 37-01 | Handle Parking Brake | | | |

NOTE: All component dimensions given in U.S. inches
1 inch = 25.4 mm

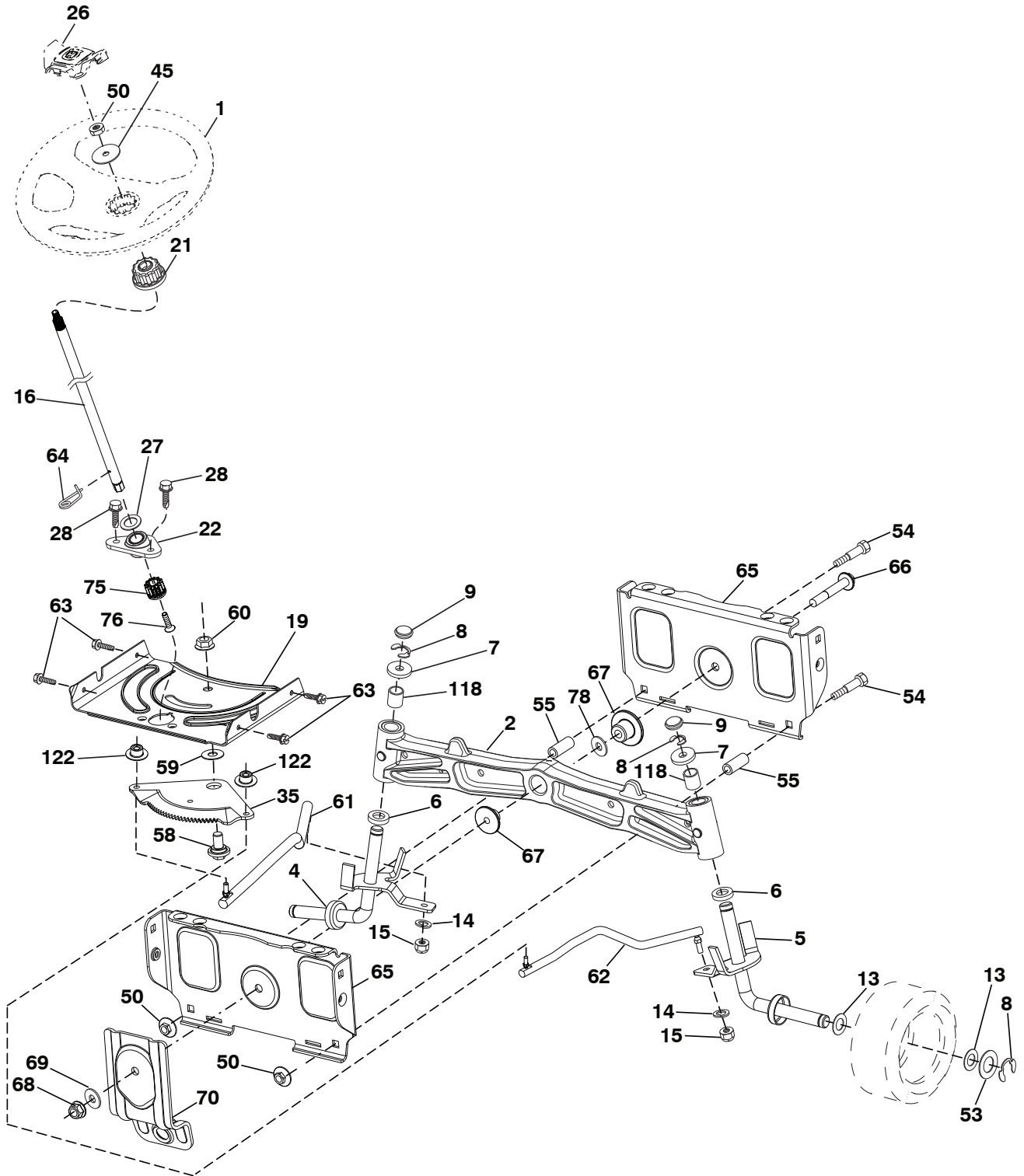


**TRACTOR - - MODEL NO. TS 342 (96041040200), PRODUCT NO. 960 41 04-02
ENGINE 24**

| KEY NO. | PART NO. | DESCRIPTION |
|--------------------|---------------------|--|
| 1 | - - - - - | Engine Kawa Model No. FR651V-AS28 (581411101) (Order Parts From Engine Manufacturer.) |
| 2 | 532 44 59-62 | Muffler Asm Twin Lo-Tone |
| 9 | 501 83 26-02 | Keeper Belt Engine 4.25"Nstg |
| 11 | 587 25 50-01 | Clutch |
| 12 | 586 89 96-01 | Pulley |
| 15 | 532 42 28-04 | Tank Fuel |
| 18 | 584 24 87-02 | Cap Fuel |
| 20 | 532 42 43-41 | Control Throttle |
| 21 | 532 41 63-58 | Screw |
| 22 | 532 18 95-41 | Control Choke |
| 28 | 863 08 37-30 | Line Fuel |
| 29 | 532 13 71-80 | Kit Spark Arrestor (392390 B&S) |
| 37 | 532 12 34-87 | Clamp Hose Blk. |
| 41 | 532 12 61-97 | Washer 1-1/2 Odx15/32 Id x .250 |
| 42 | 539 99 02-47 | Washer |
| 45 | 873 51 04-00 | Nut, Keps Hex 1/4-20 Unc |
| 62 | 532 43 40-17 | Shield Heat Muffler |
| 69 | 532 17 81-51 | Gasket Muffler |
| 70 | 583 95 56-01 | Exhaust Tube LH |
| 71 | 583 95 57-01 | Exhaust Tube RH |
| 81 | 532 14 84-56 | Tube Drain Oil |
| 84 | 817 12 06-16 | Screw 3/8-16 x 1 |
| 85 | 501 60 67-01 | Bolt Hex 7/16-20 x 5 |
| 86 | 532 18 43-62 | Nut Hex Flange Toplock M8-1.25 |
| 90 | 817 00 06-16 | Screw 3/8-16 x 1 |
| 91 | 532 18 74-95 | Bushing |
| 102 | 817 00 05-12 | Screw 5/16-18 x 3/4 |
| 116 | 539 13 26-24 | Knob Shift |
| 117 | 532 42 08-28 | Valve Fuel Reserve |

NOTE: All component dimensions given in U.S. inches
1 inch = 25.4 mm

TRACTOR - - MODEL NO. TS 342 (96041040200), PRODUCT NO. 960 41 04-02
STEERING ASSEMBLY **41**



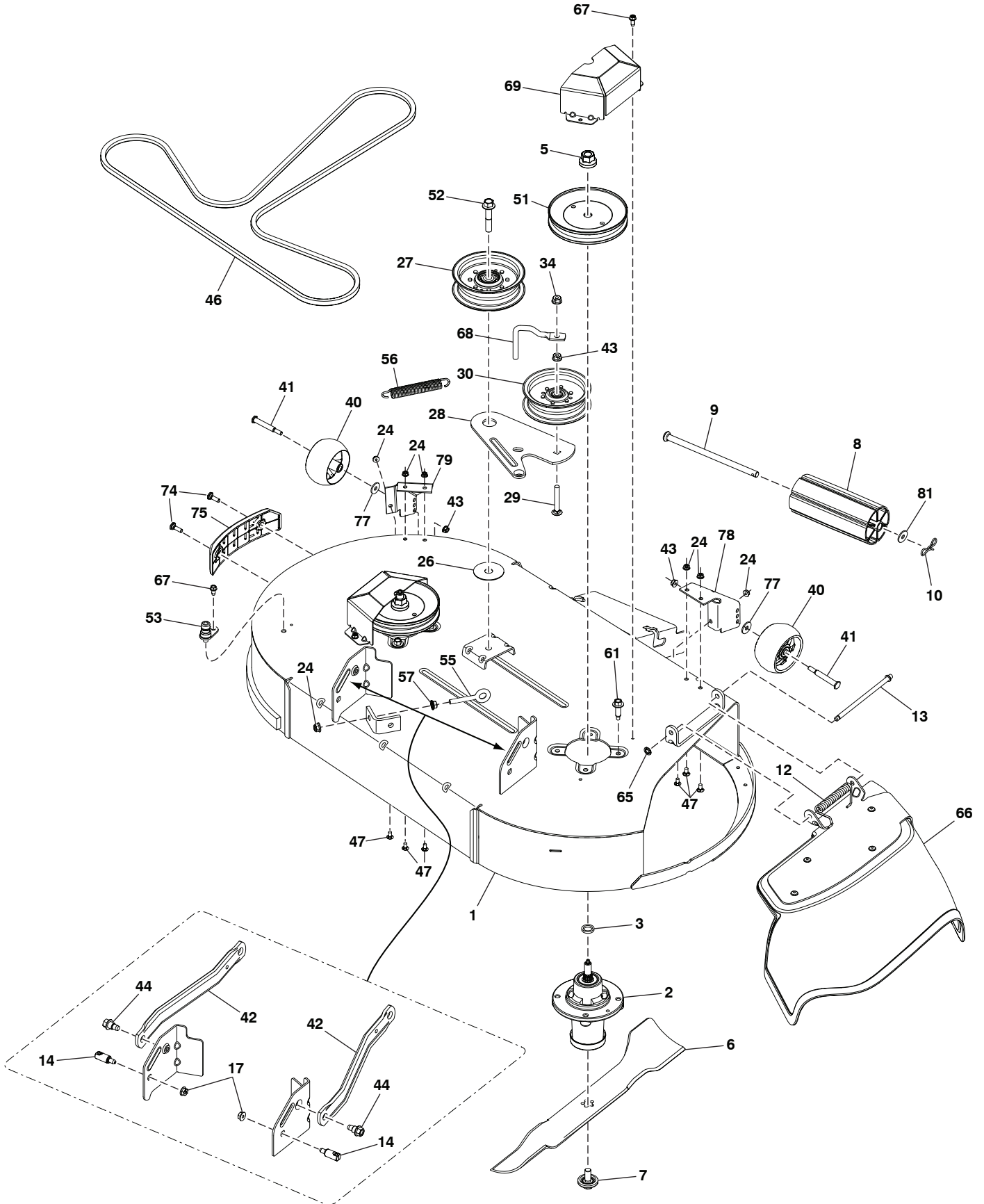
steering-tex_HUSQSR_68

**TRACTOR - - MODEL NO. TS 342 (96041040200), PRODUCT NO. 960 41 04-02
STEERING ASSEMBLY 41**

| KEY NO. | PART NO. | DESCRIPTION |
|--------------------|---------------------|-------------------------------------|
| 1 | 532 43 97-40 | Wheel, Steering |
| 2 | 532 41 35-91 | Axle Asm., Front |
| 4 | 586 72 40-01 | Spindle Asm., LH |
| 5 | 586 72 41-01 | Spindle Asm., RH |
| 6 | 532 12 49-31 | Bearing, Race Thrust Harden |
| 7 | 532 12 17-48 | Washer 25/32 x 1-5/8 x 16 Ga. |
| 8 | 812 00 00-29 | Ring, Clip #T5304-75 |
| 9 | 532 12 12-32 | Cap, Spindle |
| 13 | 532 12 17-49 | Washer 25/32 x 1-1/4 x 16 Ga. |
| 14 | 539 99 01-18 | Washer 3/8 |
| 15 | 873 54 06-00 | Nut, Crown Lock 3/8-24 unf |
| 16 | 587 01 60-02 | Steering Shaft |
| 19 | 532 19 47-29 | Plate Steering |
| 21 | 586 84 02-01 | Adapter Wheel Steering |
| 22 | 585 02 98-02 | Bearing |
| 26 | 532 43 97-43 | Insert, Wheel Steering |
| 27 | 819 21 16-16 | Washer |
| 28 | 817 00 06-12 | Screw 3/8-16 x 3/4 |
| 35 | 532 19 47-32 | Gear, Sector Plate |
| 45 | 587 01 64-01 | Washer 3/8 ID 2-3/8 OD 12 Ga. PLTD |
| 50 | 873 90 06-00 | Nut Lock Flg 3/8-16 unc |
| 53 | 532 18 89-67 | Washer Hardened .793 x 1.637 x .060 |
| 54 | 874 76 06-36 | Bolt Hex 3/8-16 unc x 2-1/4 |
| 55 | 532 41 47-36 | Spacer Brace Axle |
| 58 | 532 19 47-47 | Bolt Shoulder Sector Pivot CFM |
| 59 | 532 19 47-48 | Washer Thrust Sector Steering |
| 60 | 873 97 10-00 | Nut Flange Lock 5/8-11 |
| 61 | 588 79 44-02 | Draglink, LH |
| 62 | 588 79 45-02 | Draglink, RH |
| 63 | 817 00 05-12 | Screw 5/16-18 x 3/4 |
| 64 | 532 19 98-49 | Retainer Clip Spring Steering |
| 65 | 532 19 47-34 | Brace Axle Front |
| 66 | 871 02 07-48 | Bolt Hex Fghd 7/16-14 x 3 Serr |
| 67 | 532 19 47-37 | Bushing PM Front Axle |
| 68 | 873 90 07-00 | Nut Lock Flange 7/16-14 Gr. 5 |
| 69 | 532 19 91-62 | Washer 1.5 x .505 x .118 |
| 70 | 585 33 88-01 | Bracket Deck Susp. Front |
| 75 | 580 68 37-01 | Pinion |
| 76 | 580 68 36-01 | Screw Head Sock |
| 78 | 532 05 70-79 | Washer Thrust |
| 118 | 532 40 60-13 | Bushing |
| 122 | 532 44 49-62 | Cap Gear |

NOTE: All component dimensions given in U.S. inches
1 inch = 25.4 mm

TRACTOR - - MODEL NO. TS 342 (96041040200), PRODUCT NO. 960 41 04-02
 MOWER DECK **44**



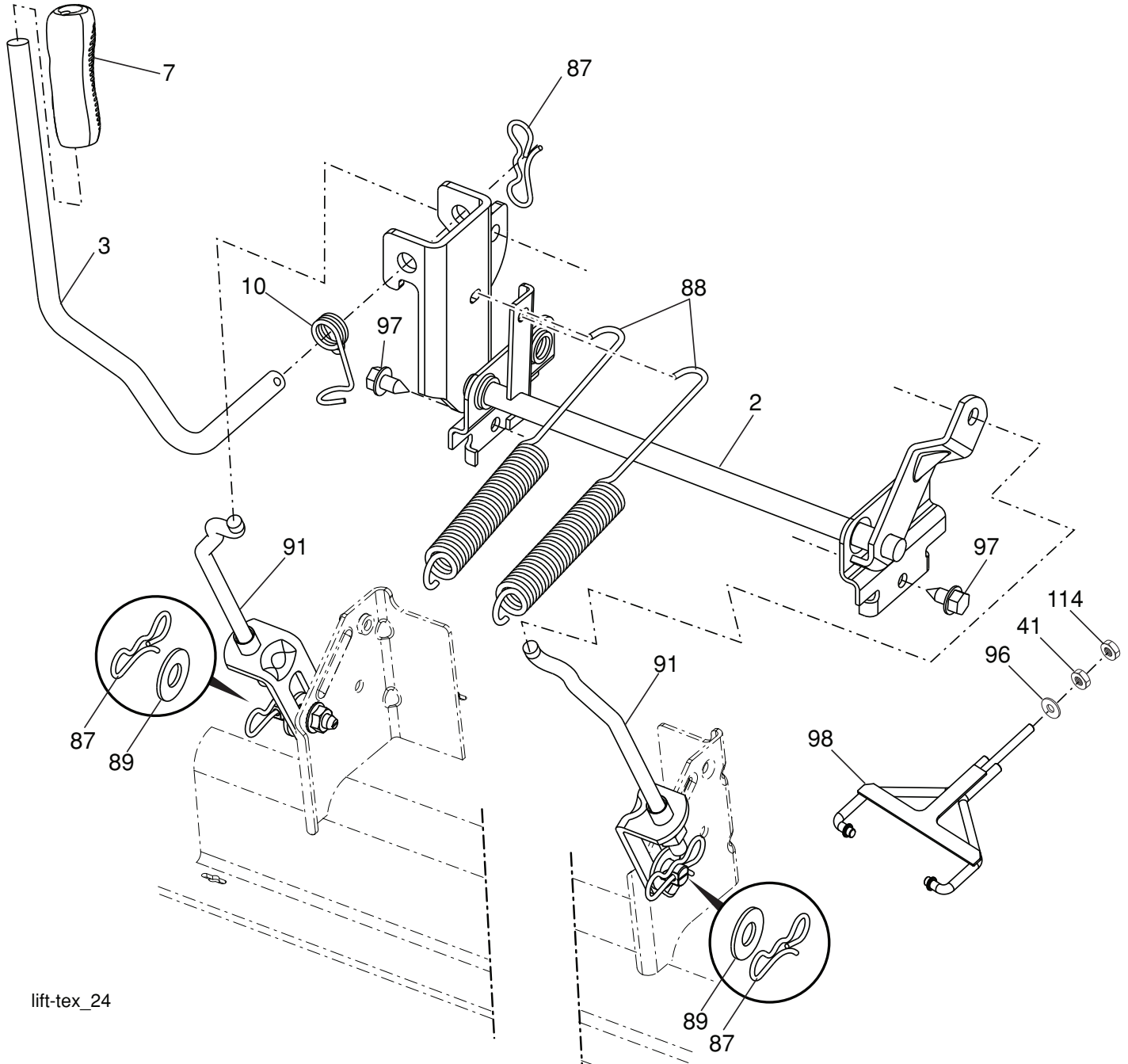
Mower Deck-tex 42F Flat elec 7

**TRACTOR - - MODEL NO. TS 342 (96041040200), PRODUCT NO. 960 41 04-02
MOWER DECK 44**

| KEY NO. | PART NO. | DESCRIPTION |
|----------------|-----------------|----------------------------------|
| 1 | 582 87 82-05 | Deck Weldment |
| 2 | 539 11 21-70 | Housing Assembly |
| 3 | 532 18 76-90 | Washer-Spacer |
| 5 | 532 40 02-34 | Nut Lock Flange Top |
| 6 | 586 91 81-01 | Blade |
| 7 | 532 19 30-03 | Bolt/Washer Asm 7/16-20 unf |
| 8 | 532 17 60-66 | Roller, Nose |
| 9 | 532 17 91-27 | Rod, Roller, Nose |
| 10 | 539 19 42-08 | Clip Retainer |
| 12 | 587 35 47-01 | Spring |
| 13 | 532 13 14-91 | Rod Hinge 42/46/48/54 |
| 14 | 532 19 51-61 | Stud, Fasten w/ Anti- Rotate |
| 17 | 873 90 05-00 | Nut Lock Hex Flanged 5/16-18 |
| 24 | 539 11 28-99 | Nut 5/16-18 Hex Flange Nyloc |
| 26 | 532 17 85-15 | Washer, Flat Hardened |
| 27 | 532 19 61-04 | Pulley, Idler Spec. Hub |
| 28 | 586 87 40-02 | Arm 42 FCS |
| 29 | 872 14 06-20 | Bolt RDHD |
| 30 | 532 19 61-06 | Pulley, Idler |
| 34 | 873 68 06-00 | Nut Crownlock 3/8-16 |
| 40 | 532 17 48-73 | Gauge Wheel |
| 41 | 532 19 34-06 | Bolt Shoulder |
| 42 | 532 19 51-85 | Arm Susp. Rear |
| 43 | 873 90 06-00 | Nut Lock FLG 3/8-16 unc |
| 44 | 532 19 65-39 | Bolt Shoulder |
| 46 | 587 27 01-01 | Belt 42 FCS |
| 47 | 539 99 03-16 | RHSNB 5/16-18 x 3/4 Gr. 5 2D |
| 51 | 532 19 97-91 | Pulley, Mandrel |
| 52 | 588 43 83-01 | Screw 7/16-14 x 2.125 Hex Wsh Hd |
| 53 | 532 41 55-98 | Washout Port |
| 55 | 539 11 55-74 | Eyebolt 5/16 x 3-1/2 |
| 56 | 587 35 84-01 | Spring |
| 57 | 539 99 05-85 | Nut 5/16-18 Hex |
| 61 | 584 95 39-01 | Bolt Hex Wsh Hd 3/13-18 x 1.19 |
| 65 | 532 11 04-52 | Nut Push Phos & Oil |
| 66 | 587 30 57-03 | Deflector Assy. 42 FCS |
| 67 | 532 13 77-29 | Screw |
| 68 | 532 19 84-68 | Keeper Belt Idler |
| 69 | 586 93 68-05 | Cover 42" Mandrel |
| 74 | 817 00 05-10 | Bolt Carriage 5/16-18 Hex |
| 75 | 582 68 32-01 | Bumper |
| 77 | 819 13 20-12 | Washer 12 Ga. |
| 78 | 501 80 83-05 | Gauge Wheel Bracket RH |
| 79 | 501 80 16-05 | Gauge Wheel Bracket LH |
| 81 | 582 36 05-01 | Bushing Nose Roller |
| -- | 588 82 26-01 | Mower Deck Complete |

NOTE: All component dimensions given in U.S. inches
1 inch = 25.4 mm

**TRACTOR - - MODEL NO. TS 342 (96041040200), PRODUCT NO. 960 41 04-02
MOWER LIFT **45****



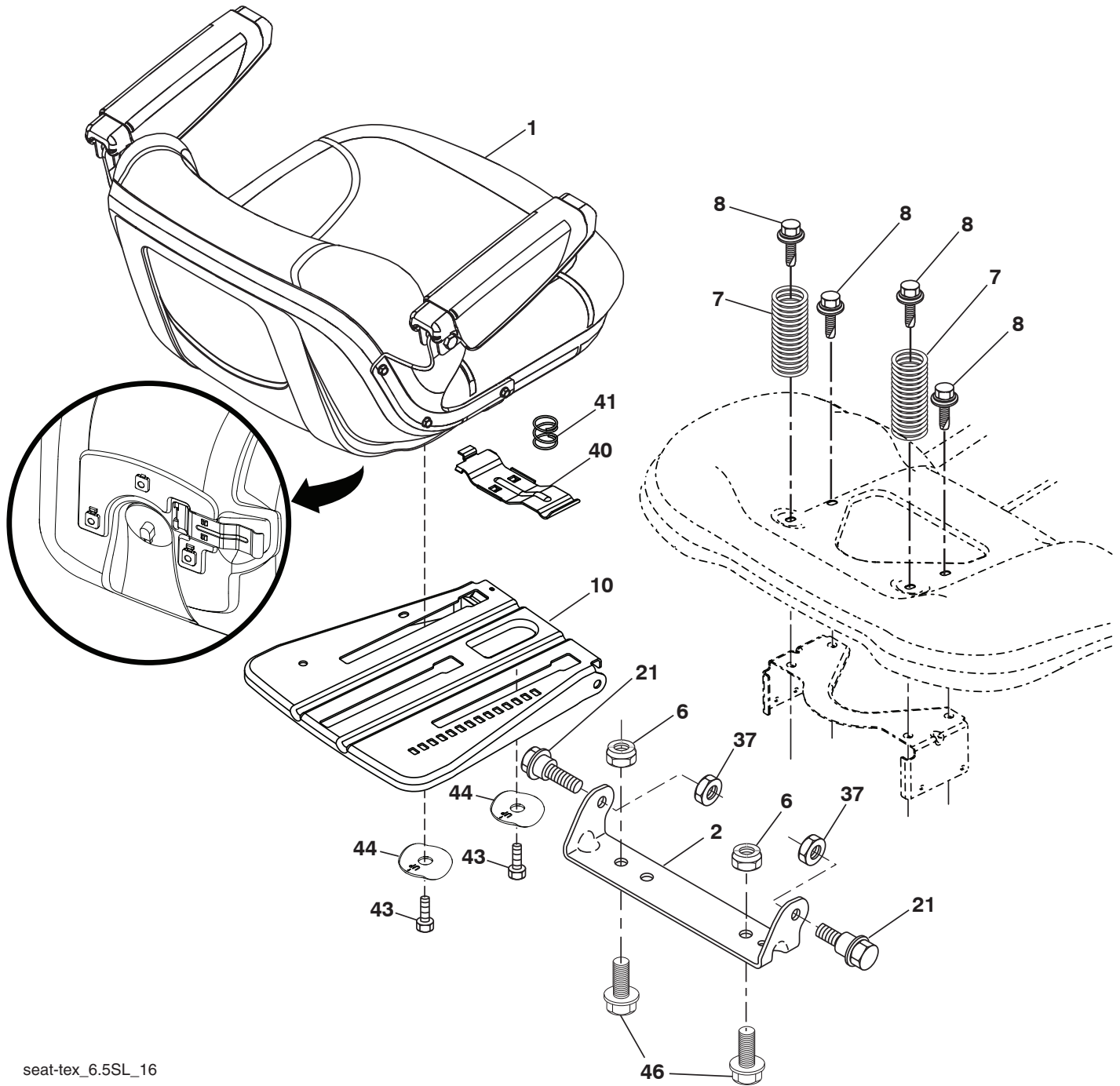
lift-tex_24

| KEY PART NO. | PART NO. | DESCRIPTION |
|--------------|--------------|------------------------------|
| 2 | 532 42 20-27 | Shaft Asm., Lift |
| 3 | 532 19 52-30 | Lever Asm., Lift RH |
| 7 | 580 96 23-01 | Grip, Lever |
| 10 | 532 19 63-14 | Spring Torsion |
| 41 | 532 17 59-94 | Nut, Lift Link |
| 87 | 532 19 42-09 | Pin Cotter 7/16 Bow Tie Lock |
| 88 | 532 41 07-10 | Spring Lift Assist |
| 89 | 819 19 19-12 | Washer Clear Zinc |

| KEY PART NO. | PART NO. | DESCRIPTION |
|--------------|--------------|-----------------------------|
| 91 | 532 40 34-07 | Link Lift Susp Mower Rear |
| 96 | 532 19 52-63 | Bushing, Spherical |
| 97 | 817 00 06-12 | Screw 3/8-16 x .75 |
| 98 | 574 82 25-01 | Link Lift Susp. Front Mower |
| 114 | 873 36 07-00 | Nut Jam 7/16-20 |

NOTE: All component dimensions given in U.S. inches
1 inch = 25.4 mm

**TRACTOR - - MODEL NO. TS 342 (96041040200), PRODUCT NO. 960 41 04-02
SEAT ASSEMBLY 42**



seat-tex_6.5SL_16

| KEY NO. | PART NO. | DESCRIPTION |
|---------|--------------|-------------------------------|
| 1 | 588 55 67-01 | Seat |
| 2 | 532 18 01-66 | Bracket Pivot Fender |
| 6 | 873 80 06-00 | Nut, Lock W/Ins. 3/8-16 unc |
| 7 | 589 48 35-01 | Spring, Seat Cprsn |
| 8 | 532 17 18-77 | Bolt 5/16-18 unc x 3/4 w/Sems |
| 10 | 587 23 20-02 | Pan, Seat |
| 21 | 587 90 78-01 | Bolt, Shoulder 5/16-18 x 5/8 |
| 37 | 873 80 05-00 | Nut, Lock 5/16-18 unc |

| KEY NO. | PART NO. | DESCRIPTION |
|---------|--------------|-------------------------------|
| 40 | 532 43 98-71 | Handle Slide Seat |
| 41 | 532 19 82-00 | Spring Latch Seat |
| 43 | 874 76 06-12 | Bolt Fin Hex 3/8-16 unc x 3/4 |
| 44 | 501 05 18-01 | Washer Winged 3/8 ID 1.50 OD |
| 46 | 588 09 04-01 | Bolt 3/8-16 x 1, 1.25 |

NOTE: All component dimensions given in U.S. inches
1 inch = 25.4 mm

