

**Repair Parts Manual**  
**Manuel De Pièces De Rechange**  
**LGTH22V48/96048005901**

Please read the operator's manual carefully and make sure  
you understand the instructions before using the machine.

Lisez très attentivement et soyez certain de comprendre  
ces instructions avant d'utiliser cette machine.



**English/French**

**587 94 63-26 Rev. 16**



# HOW TO USE THIS MANUAL

This manual is designed to provide the customer with a means to identify the parts on his/her tractor when ordering repair parts. The illustrations may or may not represent the actual assemblies; therefore, it is not recommended to use this manual as a guide to assemble or disassemble the tractor. Some hardware and parts are drawn larger in order to more readily identify them.

Each tractor has its own model number. The model number for your tractor can be found on the fender under the seat.

## Support / Help

If you require assistance or have questions concerning the application, operation, maintenance or parts for your product:

- Visit our website: [www.husqvarna.com](http://www.husqvarna.com)
- Call Us Toll Free: 1-800-487-5951

When ordering parts, always give the following information:

- Product - "TRACTOR"
- MODEL NUMBER - "LGTH22V48" (96048005901)"
- Part Number
- Part Description

## TABLE OF CONTENTS

<b>SCHEMATIC</b> .....	<b>3</b>
<b>ELECTRICAL</b> .....	<b>4-5</b>
<b>CHASSIS</b> .....	<b>6-7</b>
<b>DRIVE</b> .....	<b>8-9</b>
<b>ENGINE</b> .....	<b>10-11</b>
<b>STEERING</b> .....	<b>12-13</b>
<b>MOWER DECK</b> .....	<b>14-15</b>
<b>MOWER LIFT</b> .....	<b>16</b>
<b>SEAT</b> .....	<b>17</b>
<b>DECALS</b> .....	<b>18</b>

## COMMENT UTILISER CE MANUEL

Ce manuel a été dessiné pour fournir le client avec les moyens d'identification des pièces de détachées du tracteur quand il/elle a besoin de commander les pièces de rechange. Les illustrations ne peuvent pas représenter exactement le modèle que vous avez acheté. N'utilisez pas ce manuel comme un guide dans le montage et/ou démontage de votre tracteur. La visserie montrée est plus grande pour faciliter l'identification.

Chaque tracteur a un numéro de modèle particulier. Le numéro de modèle du produit se trouvera sur l'aile, dessous le siège.

## Soutien / Aide

Si vous avez besoin d'aide ou si vous avez des questions concernant l'utilisation, le fonctionnement, l'entretien ou les pièces pour votre produit :

- Visitez notre site Web : [www.husqvarna.com](http://www.husqvarna.com)
- Appelez nous sans frais : 1-800-487-5951

Lorsque vous commandez des pièces de rechange, donnez toujours les renseignements suivants:

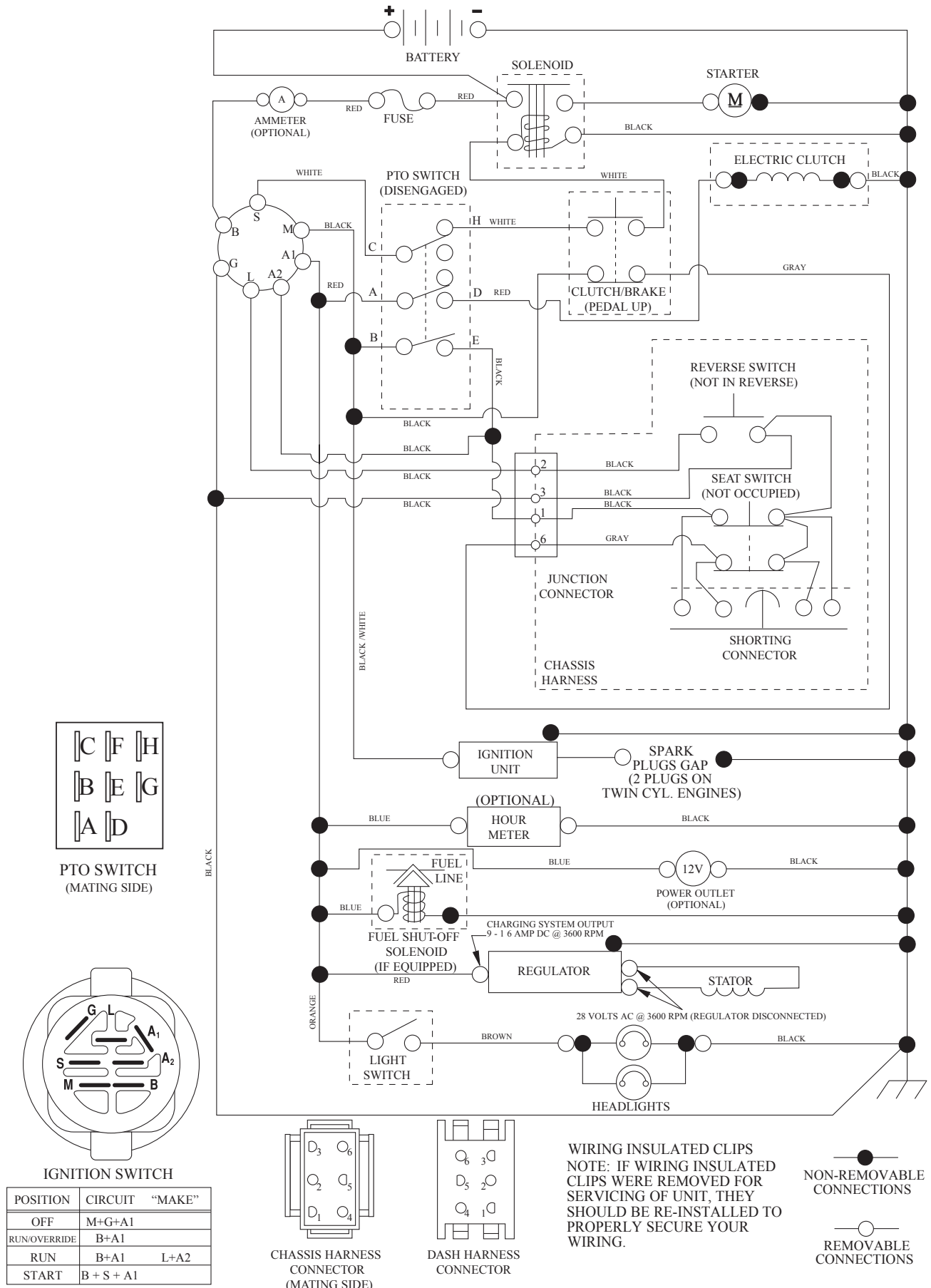
- Produit - "TRACTEUR"
- NUMÉRO DU MODÈLE - "LGTH22V48" (96048005901)"
- Numéro de la Pièce
- Description de la Pièce

## TABLE DE MATIERES

<b>SCHÉMA</b> .....	<b>19</b>
<b>ELECTRIQUE</b> .....	<b>20-21</b>
<b>CHÂSSIS/ENCEINTES</b> .....	<b>22-23</b>
<b>ENTRAÎNEMENT</b> .....	<b>24-25</b>
<b>MOTEUR</b> .....	<b>26-27</b>
<b>ENSEMBLE DE LA DIRECTION</b> .....	<b>28-29</b>
<b>CARTER DE TONDEUSE</b> .....	<b>30-31</b>
<b>LEVAGE DE LA TONDEUSE</b> .....	<b>32</b>
<b>ENSEMBLE DU SIÈGE</b> .....	<b>33</b>
<b>DECALCOMANIES</b> .....	<b>34</b>

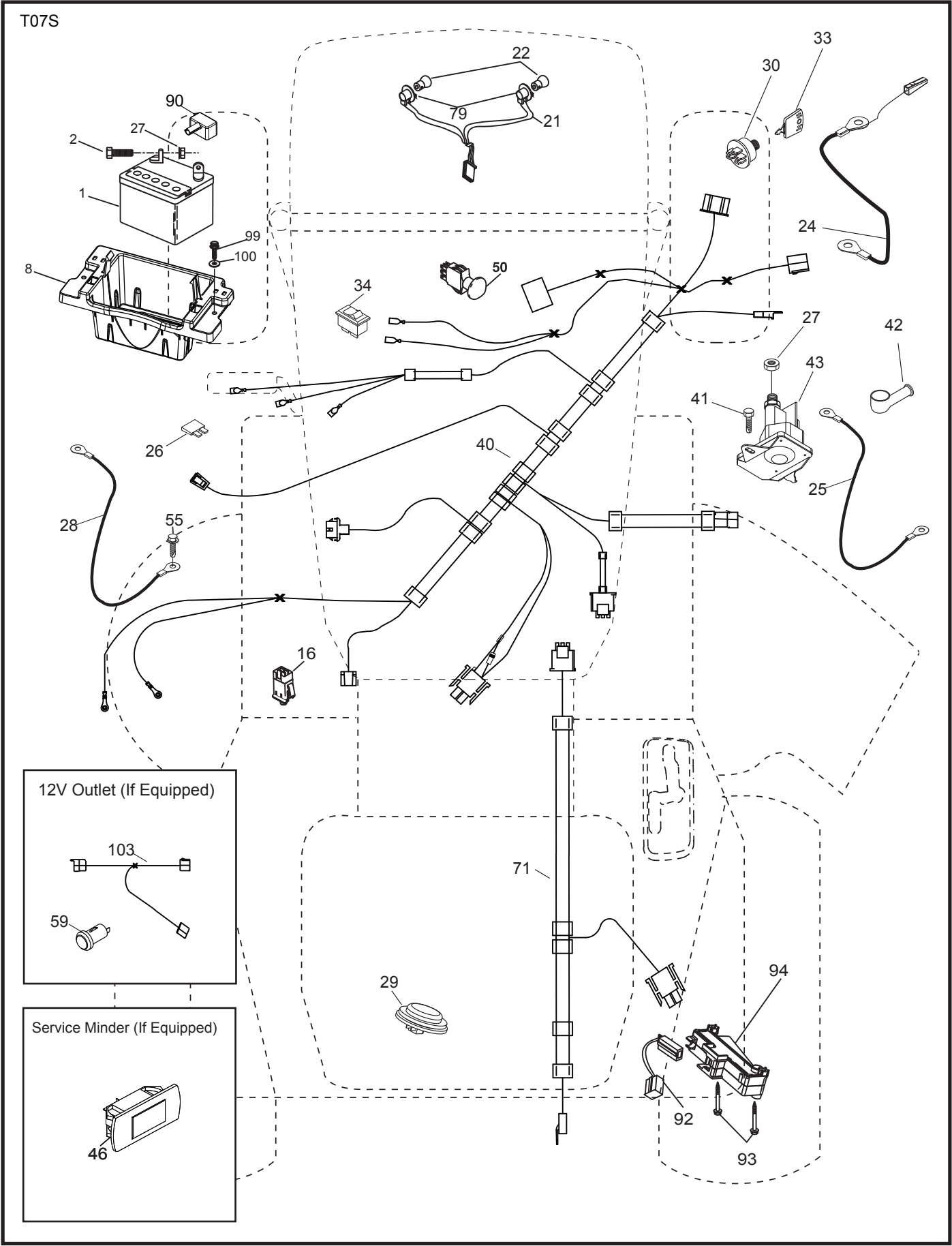
# TRACTOR - MODEL NO. LGTH22V48 (96048005901), PRODUCT NO. 960 48 00-59 SCHEMATIC

SCH12



POSITION	CIRCUIT	"MAKE"
OFF	M+G+A1	
RUN/OVERRIDE	B+A1	
RUN	B+A1	L+A2
START	B + S + A1	

**TRACTOR - MODEL NO. LGTH22V48 (96048005901), PRODUCT NO. 960 48 00-59  
ELECTRICAL**

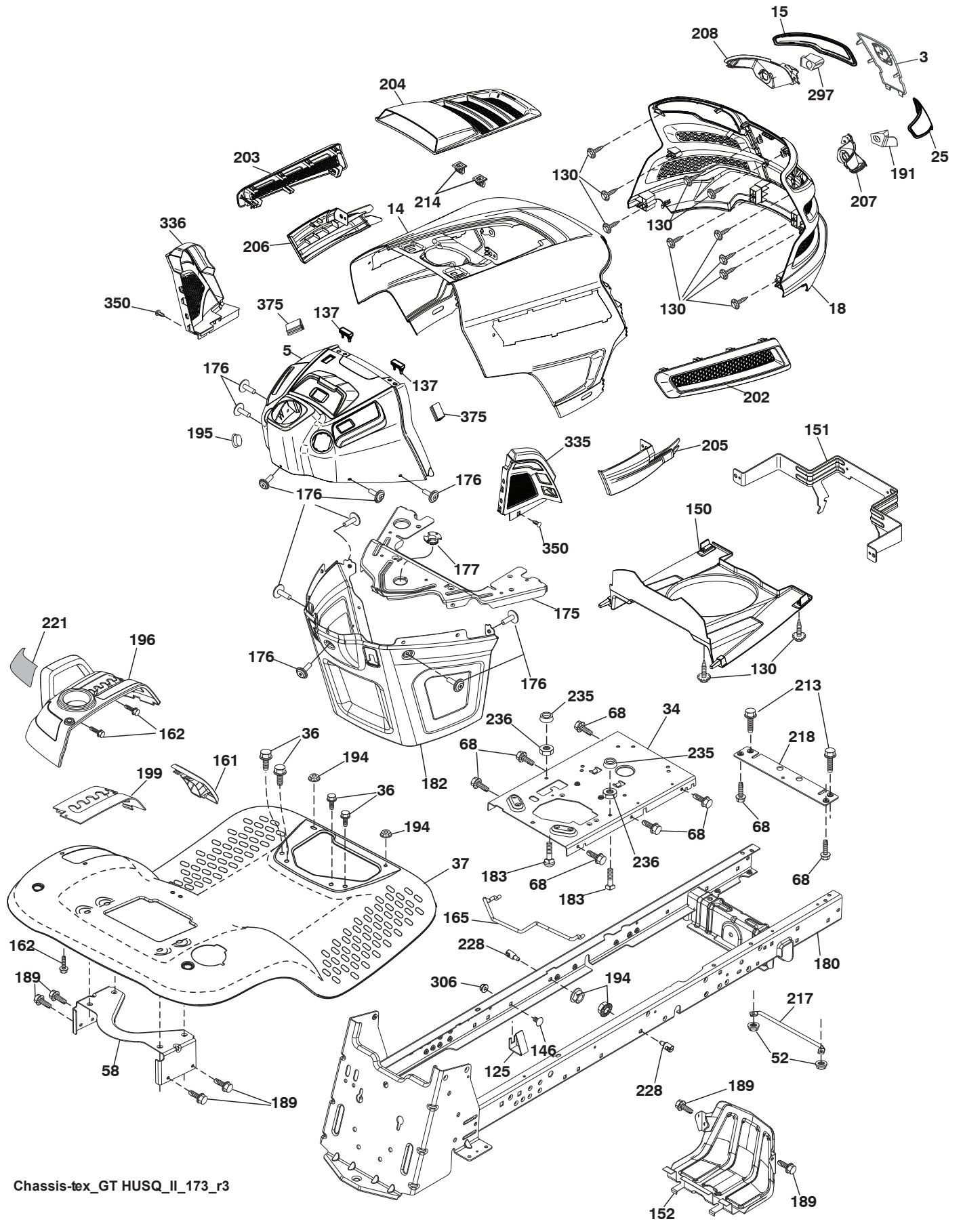


**TRACTOR - MODEL NO. LGTH22V48 (96048005901), PRODUCT NO. 960 48 00-59  
ELECTRICAL**

<b>KEY NO.</b>	<b>PART NO.</b>	<b>DESCRIPTION</b>
1	532 16 34-65	Battery
2	874 76 04-12	Bolt Hex Hd 1/4-20 unc x 3/4
8	587 20 51-01	Battery Box
16	532 17 61-38	Switch Interlock
21	532 40 02-52	Harness Socket Light
22	532 00 41-52	Bulb, Light #1156
24	585 55 56-01	Cable Battery
25	585 55 55-01	Cable Starter
26	532 17 51-58	Fuse
27	873 51 04-00	Nut Keps Hex 1/4-20 unc
28	532 41 65-88	Cable Ground 21" Blk 6 Ga.
29	532 40 15-45	Switch Seat
30	532 19 33-50	Switch Ign
33	532 41 19-35	Key/Chain
34	532 11 07-12	Switch Light/Reset
40	501 13 29-01	Harness Ign. Dash
41	817 72 04-08	Screw Thd Cut 1/4-20 x 1/2
42	532 13 15-63	Cover Terminal Red
43	582 04 28-01	Solenoid
46	586 16 18-01	Gauge SRVCMNDR
50	582 10 76-01	Switch PTO
55	817 06 05-12	Screw Thdrol 5/16-18 x 3/4
71	532 19 42-76	Harness Ign Chassis
79	532 17 52-42	Socket Asm Bulb
90	532 43 53-95	Cover Terminal Battery
92	532 19 66-15	Harness Pigtail Reverse Switch
93	532 19 25-40	Screw Plastite 10-14 X 2.00
94	532 19 18-34	Module Reverse ROS
99	817 67 04-12	Screw Hexwsh Thdrol 1/4-20 x 3/4
100	819 09 14-16	Washer 9/32 x 7/8 x 16 Ga.

**NOTE:** All component dimensions given in U.S. inches  
1 inch = 25.4 mm

**TRACTOR - MODEL NO. LGTH22V48 (96048005901), PRODUCT NO. 960 48 00-59**  
**CHASSIS**



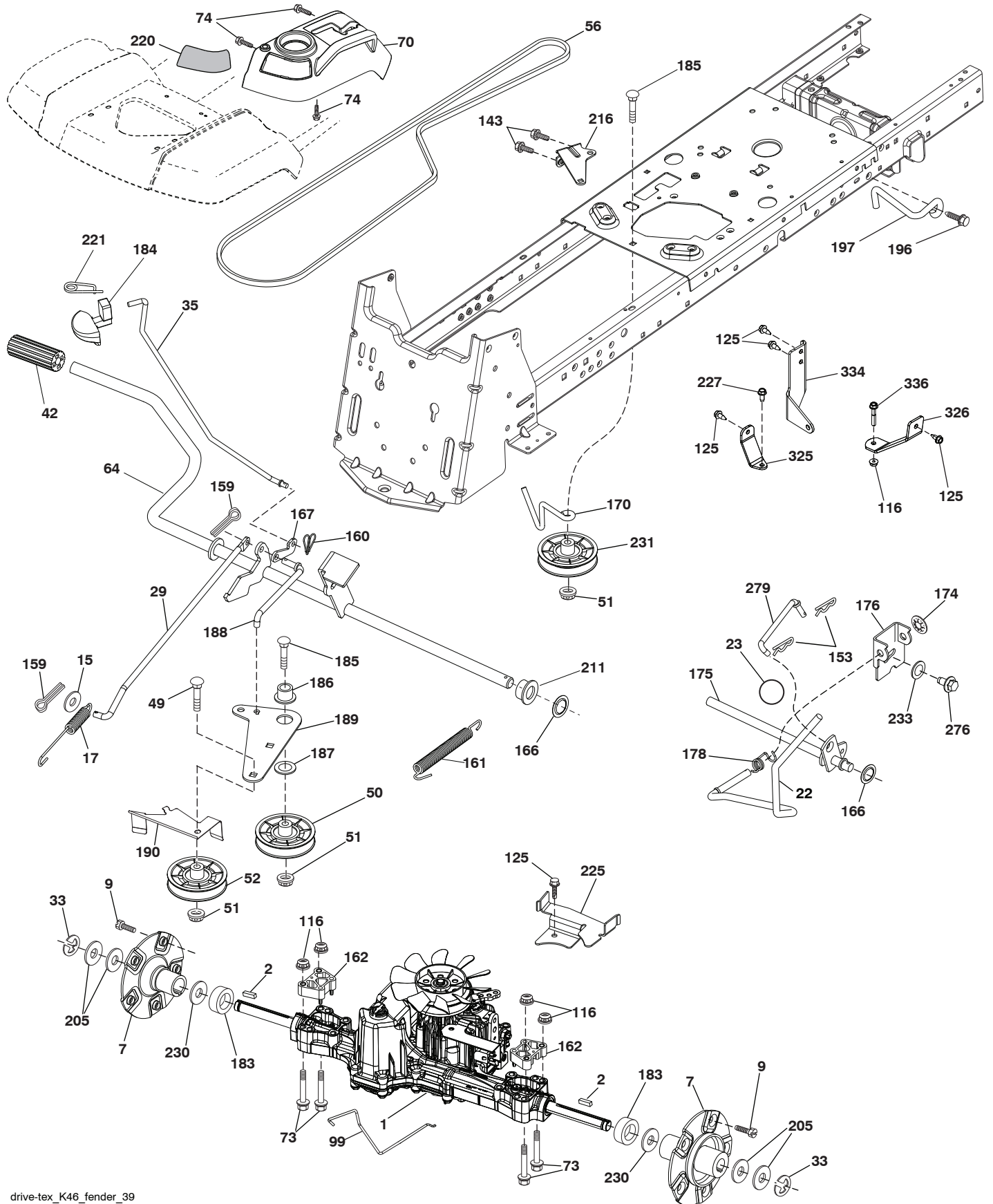
Chassis-~~tex~~\_GT HUSQ\_II\_173\_r3

**TRACTOR - MODEL NO. LGTH22V48 (96048005901), PRODUCT NO. 960 48 00-59  
CHASSIS**

<b>KEY NO.</b>	<b>PART NO.</b>	<b>DESCRIPTION</b>	<b>KEY NO.</b>	<b>PART NO.</b>	<b>DESCRIPTION</b>
3	532 44 44-81	Applique	199	532 19 82-59	Plate Deck Lift
5	581 46 68-03	Dash	202	532 43 97-28	Vent Side Hood RH
14	532 44 11-77	Hood Asm.	203	532 43 97-27	Vent Side Hood LH
15	532 43 97-33	Lens LH	204	532 43 57-14	Vent Asm Hood Top
18	532 44 06-53	Grille Asm.	205	532 43 97-30	Skirt Hood Side RH
25	532 44 33-85	Lens RH	206	532 43 97-29	Skirt Hood Side LH
34	580 91 08-01	Plate Engine	207	532 43 97-34	Bezel RH
36	817 06 05-12	Screw 5/16-18 x 3/4	208	532 43 97-35	Bezel LH
37	532 44 12-08	Fender	213	874 76 05-12	Bolt Hex Hd 5/16-18 unc x 3/4
52	873 68 05-00	Nut Crown Lock 5/16-18	214	532 19 91-45	Clip Retainer
58	532 19 43-14	Bracket Fender	217	532 40 91-67	Rod Pivot
68	539 99 08-58	Screw 5/16-18 x 1/2	218	532 19 63-95	Hood Stop
125	581 68 48-01	Clip Fuel Line	221	532 19 89-09	Reflector LH
130	532 41 63-58	Screw #10 x .750 BOS Thread	228	532 19 51-61	Stud Fastener
137	532 40 75-90	Bumper Dash	235	532 40 61-29	Spacer Fender
146	581 85 79-01	Bolt	236	873 93 05-00	Nut Center Lock 5/16-18 unc
150	532 43 97-74	Duct Heat Hood	297	532 43 74-56	Insert LH
151	532 43 66-70	Bracket Pivot Hood	306	873 90 06-00	Nut Lock
152	532 43 98-70	Shield Browning/Debris	335	532 44 82-04	Cover Dash RH
161	532 43 99-29	Console Fuel Window	336	532 44 53-09	Cover Dash LH
162	532 14 24-32	Screw Hex Wsh Hi-Lo 1/4 x 1/2	350	532 44 51-43	Clip X-mas Tree
165	532 19 68-26	Bracket Support Tank	375	586 90 82-01	Dash Clip-On Bumper
175	590 60 77-02	Crossmember	- -	532 40 09-44	Kit Bumper
176	532 40 07-76	Screw 10-24 x 5/8			
177	532 19 52-28	Bushing Steering			
180	532 19 54-77	Chassis			
182	586 73 86-02	Dash Lower			
183	874 52 05-20	Bolt 5/16-18 x 1-1/4			
189	817 00 05-12	Screw 5/16-18 x 3/4			
191	532 43 74-55	Insert RH			
194	873 90 05-00	Nut Lock Hex Flange 5/16-18			
195	532 40 41-37	Plug Hole			
196	532 43 97-16	Console Asm. Deck Lift			

**NOTE:** All component dimensions given in U.S. inches  
1 inch = 25.4 mm

TRACTOR - MODEL NO. LGTH22V48 (96048005901), PRODUCT NO. 960 48 00-59  
DRIVE



drive-tex\_K46\_fender\_39

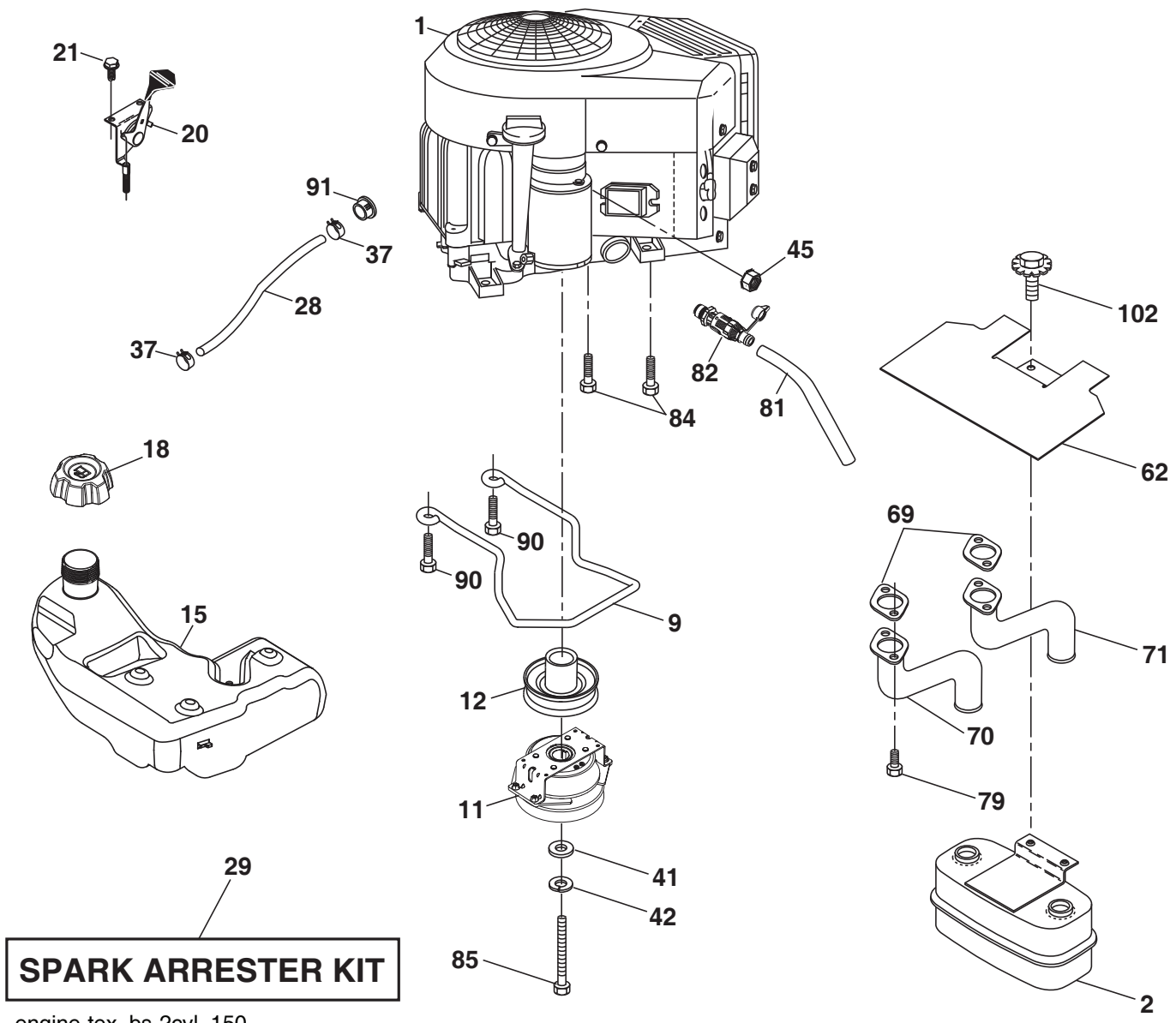


**TRACTOR - MODEL NO. LGTH22V48 (96048005901), PRODUCT NO. 960 48 00-59  
DRIVE**

KEY NO.	PART NO.	DESCRIPTION	KEY NO.	PART NO.	DESCRIPTION
1	---	Transaxle, TUFFTORQ K46 AW (448354) (Order parts from trans-axle manufacturer.)	174	532 19 72-89	Nut Push
2	532 18 62-11	Key	175	532 40 62-08	Shaft Asm Shift
7	532 19 98-44	Hub Asm. Wheel Rear 22" TXGT .06	176	532 19 62-14	Arm Clevis Rod Shift
9	532 14 00-80	Bolt Hub Wheel Rear	178	532 19 74-56	Spring Shift
15	819 13 13-16	Washer 13/32 x 13/16 x 16 Ga.	183	532 40 04-24	Spacer Split
17	532 41 36-78	Spring Brake	184	587 65 37-01	Handle Parking Brake
22	532 19 73-29	Rod Shift	185	872 11 06-22	Bolt Rdhd Sqnk 3/8-16 x 2-3/4 Gr. 5
23	532 14 08-45	Knob	186	532 19 43-21	Spacer Retainer
29	532 40 38-06	Rod, Brake	187	819 13 32-10	Washer
33	812 00 00-01	Ring E	188	582 21 70-01	Link Clutch Ground Drive, Long
35	590 60 59-02	Rod Brake Park	189	532 19 43-17	Bellcrank Ground Drive
42	532 12 48-72	Cover Foot Pedal	190	532 19 43-18	Keeper Bellcrank Ground Drive
49	872 11 06-14	Bolt	196	817 00 06-16	Screw 3/8-16 x 1
50	532 19 43-27	Pulley Idler Flat	197	585 65 86-01	Link Clutch Anti-Rotation
51	873 90 06-00	Lock Nut 3/8-16	205	532 12 17-48	Washer
52	532 19 43-26	Idler V-Groove	211	532 19 62-12	Bushing Brake Shaft
56	532 13 09-69	V-Belt Drive	216	532 19 61-31	Bracket Pulley Idler
64	532 19 62-00	Shaft Asm. Pedal Brake Control	220	532 19 89-08	Reflector RH
70	532 43 96-60	Console Asm.	221	532 40 31-87	Retainer Spring Clip Handle
73	874 49 05-60	Bolt Hex Flghd 5/16-18 3.75	225	532 40 33-19	Keeper Belt Trans.
74	532 14 24-32	Screw 1/4 x 1/2	227	817 49 05-12	Screw 5/16-18 x 3/4
99	532 41 57-43	Rod Bypass	230	532 18 89-67	Washer Hardened
116	873 90 05-00	Nut Lock Hex Flange 5/16-18	231	532 40 72-87	Idler V-Groove 1.688" Offset
125	817 00 05-12	Screw 5/16-18 x 3/4	233	532 40 52-96	Washer Serrated
143	539 99 08-58	Screw 5/16-18 x 1/2	276	874 78 07-16	Bolt 7/16-14 x 1 Gr. 5
153	532 12 47-88	Retainer Spring	279	532 40 62-07	Link Shift
159	876 02 04-12	Pin Cotter 1/8 x 3/4	325	585 99 57-02	Bracket
160	532 16 94-84	Retainer Clip	326	585 99 31-02	Bracket
161	532 10 57-09	Spring Return Clutch	334	585 88 22-02	Bracket
162	580 45 74-01	Spacer Transaxle 18 and 22	336	587 25 96-01	Bolt
166	532 42 91-64	Nut Push			
167	532 40 52-57	Latch Brake Parking			
170	532 41 34-30	Keeper Belt Centerspan			

**NOTE:** All component dimensions given in U.S. inches  
1 inch = 25.4 mm

**TRACTOR - MODEL NO. LGTH22V48 (96048005901), PRODUCT NO. 960 48 00-59  
ENGINE**



# TRACTOR - MODEL NO. LGTH22V48 (96048005901), PRODUCT NO. 960 48 00-59 ENGINE

KEY NO.	PART NO.	DESCRIPTION
1	— — — — —	Engine B&S Model No. 44N677-0014-G1 (501258801) (Order parts from engine manufacturer.)
2	532 44 59-62	Muffler
9	501 83 26-02	Keeper Belt Engine
11	587 24 14-01	Clutch
12	532 19 43-43	Pulley Engine
15	532 19 34-99	Tank Fuel 4.0
18	584 24 87-02	Cap Fuel
20	587 24 25-01	Control Throttle
21	532 41 63-58	Screw #10 x .750 BOS Thread
28	532 14 21-58	Fuel Line
29	532 13 71-80	Spark Arrester Kit
37	532 12 34-87	Clamp Hose
41	532 12 61-97	Washer 1-1/2 OD x 15/32 ID x .250
42	539 99 02-47	Washer 7/16
45	873 51 04-00	Nut Keps Hex 1/4-20 unc
62	532 43 40-17	Shield Heat Muffler
69	532 16 53-91	Gasket
70	581 88 11-01	Tube Exhaust LH
71	581 88 10-01	Tube Exhaust RH
79	532 18 39-06	Screw Socket Head 5/16-18 x .75
81	532 14 84-56	Drail Oil Tube
82	532 42 82-87	Drain Oil Valve
84	817 06 06-20	Screw 3/8-16 x 1
85	501 60 69-01	Bolt Hex 7/16-20 x 3.0
90	817 00 06-16	Screw 3/8-16 x 1
91	532 18 74-95	Bushing
102	817 00 05-12	Screw 5/16-18 x 3/4

**NOTE:** All component dimensions given in U.S. inches  
1 inch = 25.4 mm

For engine service and replacement parts, call the toll free number for your engine manufacturer listed below:

Briggs & Stratton                      1-800-233-3723

## Engine Power Rating Information

The gross power rating for individual gas engine models is labeled in accordance with SAE (Society of Automotive Engineers) code J1940 (Small Engine Power & Torque Rating Procedure), and rating performance has been obtained and corrected in accordance with SAE J1995 (Revision 2002-05). Torque values are derived at 3060 RPM; horsepower values are derived at 3600 RPM. Actual gross engine power will be lower and is affected by, among other things, ambient operating conditions and engine-to-engine variability. Given both the wide array of products on which engines are placed and the variety of environmental issues applicable to operating the equipment, the gas engine will not develop the rated gross power when used in a given piece of power equipment (actual "on-site" or net power). This difference is due to a variety of factors including, but not limited to, accessories (air cleaner, exhaust, charging, cooling, carburetor, fuel pump, etc.), application limitations, ambient operating conditions (temperature, humidity, altitude), and engine-to-engine variability. Due to manufacturing and capacity limitations, Briggs & Stratton may substitute an engine of higher rated power for this Series engine.

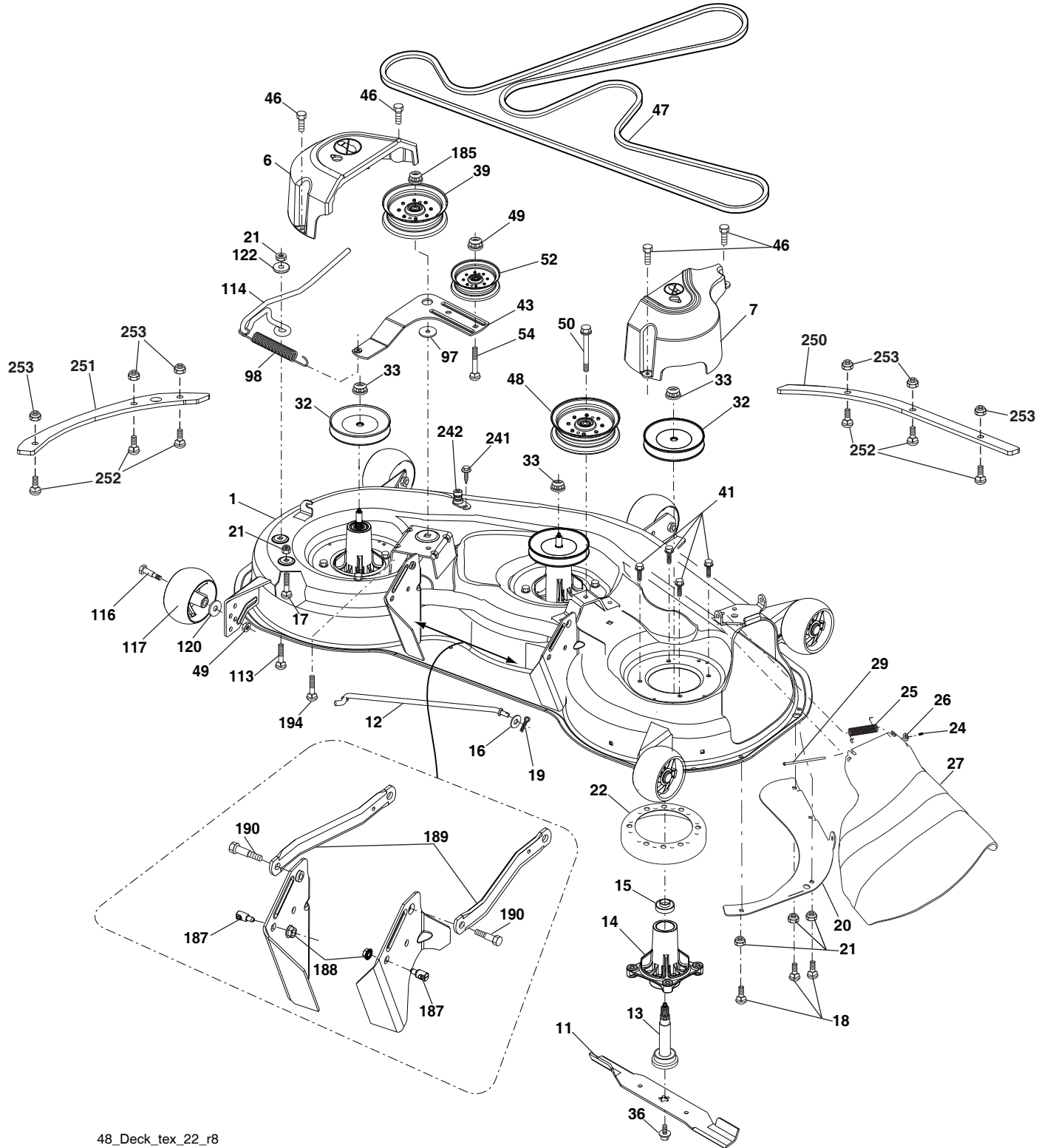


**TRACTOR - MODEL NO. LGTH22V48 (96048005901), PRODUCT NO. 960 48 00-59  
STEERING ASSEMBLY**

<b>KEY NO.</b>	<b>PART NO.</b>	<b>DESCRIPTION</b>
1	532 43 97-40	Wheel, Steering
2	532 19 59-68	Axle Asm., Front
4	532 40 30-89	Spindle Asm., LH
5	532 40 30-90	Spindle Asm., RH
6	532 12 49-31	Bearing, Race Thrust Harden
7	532 12 17-48	Washer 25/32 x 1-5/8 x 16 Ga.
8	812 00 00-29	Ring, Clip #T5304-75
9	532 12 12-32	Cap, Spindle
13	532 12 17-49	Washer 25/32 x 1-1/4 x 16 Ga.
14	539 99 01-18	Washer, SLW 3/8
15	873 54 06-00	Nut, Crown Lock 3/8-24 unf
16	587 01 60-02	Shaft Steering
19	532 19 47-29	Plate Steering
21	586 84 02-01	Adapter, Wheel Steering
22	585 02 99-01	Bearing Subasm Shaft
26	532 43 97-43	Insert, Wheel Steering
27	819 21 16-16	Washer 21/32 x 1 x 16 Ga.
28	817 00 06-12	Screw 3/8-16 x 3/4
35	532 19 47-32	Gear, Sector Plate
45	587 01 64-01	Washer 3/8 ID 2-3/80P.12 Ga. PLTD
50	873 90 06-00	Nut Lock FLD
53	532 18 89-67	Washer Hardened .793 x 1.637 x .060
57	532 19 72-46	Bracket Upstop
58	532 19 47-47	Bolt Shoulder Sector Pivot CFM
59	532 19 47-48	Washer Thrust Sector Steering
60	873 97 10-00	Nut Flange Lock 5/8-11
61	532 19 47-40	Draglink, LH
62	532 19 47-41	Draglink, RH
63	817 00 05-12	Screw 5/16-18 x 3/4
64	532 19 98-49	Retainer Clip Spring Steering
66	871 02 07-48	Bolt Hex Fghd 7/16-14 x 3 Serr
67	532 19 47-37	Bushing PM Front Axle
68	873 90 07-00	Nut Lock Flange 7/16-14 Gr. 5
69	532 19 91-62	Washer 1.5 x .505 x .118
70	585 33 88-01	Bracket Deck Susp. Front
75	580 68 37-01	Pinion
76	580 68 36-01	Screw Head Sock
122	532 44 49-62	Cap Gear

**NOTE:** All component dimensions given in U.S. inches  
1 inch = 25.4 mm

**TRACTOR - MODEL NO. LGTH22V48 (96048005901), PRODUCT NO. 960 48 00-59  
MOWER DECK**



48\_Deck\_tex\_22\_r8

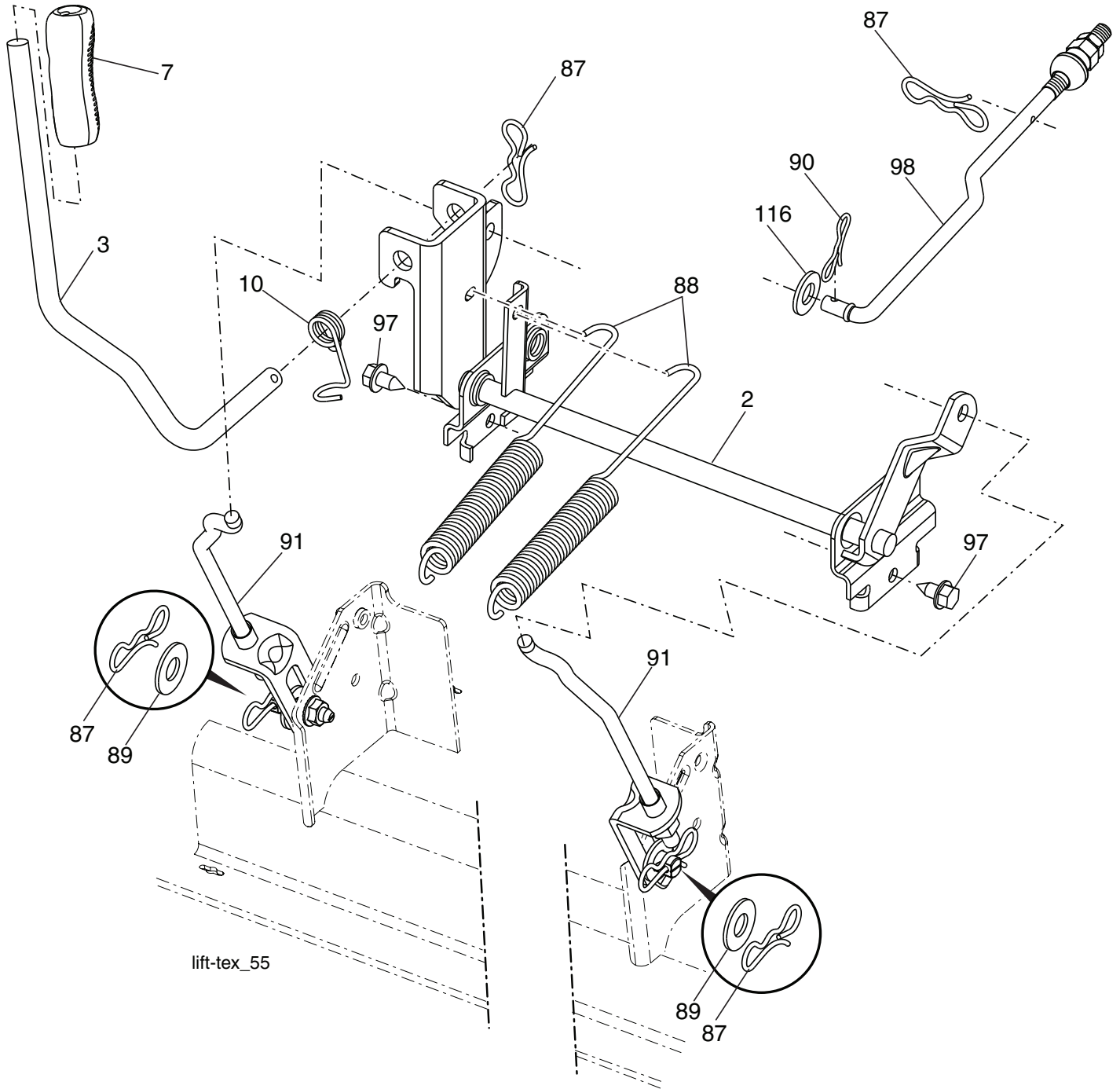
**TRACTOR - MODEL NO. LGTH22V48 (96048005901), PRODUCT NO. 960 48 00-59  
MOWER DECK**

KEY NO.	PART NO.	DESCRIPTION	KEY NO.	PART NO.	DESCRIPTION
1	586 39 87-01	Deck Weldment Mower	97	532 17 85-15	Washer Hardened
6	532 19 72-48	Cover Mandrel LH	98	532 19 61-05	Spring Drive
7	587 45 24-01	Cover Mandrel RH	113	539 10 72-71	RHSNB 5-16-18 x 1 Gr. 5
11	532 18 00-54	Blade High Lift	114	532 19 74-51	Rod Tension Relief
12	532 40 48-51	Rod Anti-Sway	116	532 19 34-06	Bolt, Shoulder
13	587 25 64-01	Shaft Asm.	117	589 52 73-01	Gauge Wheel
14	532 18 72-81	Housing, Mandrel	120	819 13 20-12	Washer 13/32 x 1-1/4 x 12 Ga.
15	585 32 39-01	Bearing, Mandrel	122	532 18 75-57	Bushing Tension Relief
16	819 13 13-12	Washer 13/32 x 13/16 x 12 Ga.	185	873 90 07-00	Nut Lock Flange 7/16-14 Gr. 5
17	872 11 05-05	Bolt 5/16-18 x 5/8	187	532 19 51-61	Stud Fastener w/"D" Anti-Rotation
18	872 14 05-05	Bolt RdHd 5/16-18 unc x 5/8	188	873 90 05-00	Nut Lock Hex Flange
19	532 19 42-08	Pin Cotter 5/16 Bow Tie Lock	189	587 14 05-02	Arm Fixed Suspen
20	532 17 43-78	Baffle Vortex	190	532 19 65-39	Bolt Shoulder
21	873 68 05-00	Nut, Crownlock 5/16-18 unc	194	874 49 07-36	Bolt 7/16 - 24
22	532 17 44-93	Stripper Mandrel	241	532 15 29-27	Screw TT #10-32.5 3/8 Flange
24	532 10 53-04	Cap Sleeve	242	532 41 55-98	Port, Washout
25	532 17 81-02	Spring, Torsion	250	585 31 80-05	Plate Rein. Front Bolt
26	532 11 04-52	Nut, Push	251	585 32 24-05	Plate Rein. Side Bolt
27	532 18 17-07	Deflector Shield	252	539 10 98-00	Carriage Bolt 1/4-20 x 1
29	532 13 14-91	Rod, Hinge	253	873 90 04-00	Nut Hex 1/4-20
32	532 15 35-32	Pulley, Mandrel	--	587 12 54-01	Mandrel Assembly (Includes housing (key #14), shaft assembly (key #13), and bearing only (key #15)- pulley/nut/washer and blade bolt/washers not included.)
33	532 40 02-34	Nut, Flg. Top Lock	--	532 41 82-23	Replacement Mower, Complete
36	584 30 93-01	Screw Sems 7/16-20 x 1 Hx Hd	--	532 41 64-05	Coupling Quick Connect
39	532 19 73-80	Pulley, Idler, 4.50 Hub			
41	584 95 39-01	Bolt Hex			
43	532 19 60-65	Arm, Idler			
46	532 13 77-29	Screw, Thdroll. 1/4-20 x 5/8			
47	532 19 72-42	Belt Deck Drive			
48	532 19 73-79	Pulley Idler 4.50 RAW			
49	873 90 06-00	Nut, Lock Flg. 3/8-16 unc			
50	817 49 06-36	Screw TT 3/8-16 x 2-1/4			
52	532 19 31-97	Pulley Idler 48" Primary			
54	872 11 06-12	Bolt Carr. Sh 3/8-16 x 1-1/2 Gr. 5			

**NOTE:** All component dimensions given in U.S. inches  
1 inch = 25.4 mm



**TRACTOR - MODEL NO. LGTH22V48 (96048005901), PRODUCT NO. 960 48 00-59  
MOWER LIFT**



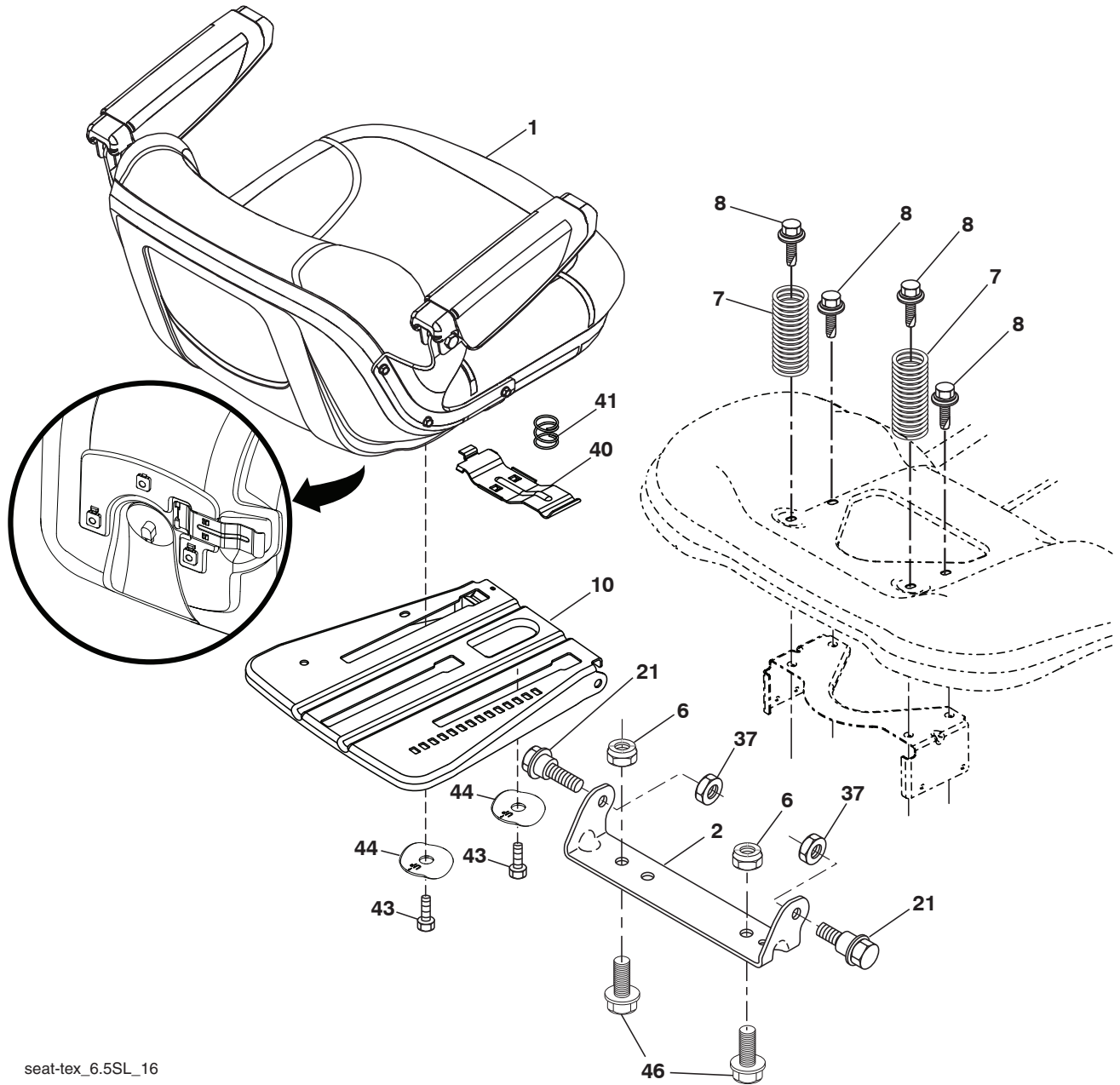
KEY NO.	PART NO.	DESCRIPTION
2	532 42 20-27	Shaft Asm., Lift
3	532 19 52-30	Lever Asm., Lift RH
7	580 96 23-01	Grip, Lever
10	532 19 63-14	Spring Torsion
87	532 19 42-09	Pin Cotter 7/16 Bow Tie Lock
88	532 19 53-04	Spring Lift Assist
89	819 19 19-12	Washer Clear Zinc
90	532 19 42-08	Pin Cotter 5/16 Bow Tie Lock

KEY NO.	PART NO.	DESCRIPTION
91	532 19 79-84	Link Lift Susp Mower Rear
97	817 00 06-12	Screw 3/8-16 x 3/4
98	532 19 52-64	Link Lift Susp. Front Mower
116	819 15 15-16	Washer 15/32 x 15/16 x 16 Ga.

**NOTE:** All component dimensions given in U.S. inches  
1 inch = 25.4 mm



**TRACTOR - MODEL NO. LGTH22V48 (96048005901), PRODUCT NO. 960 48 00-59  
SEAT ASSEMBLY**



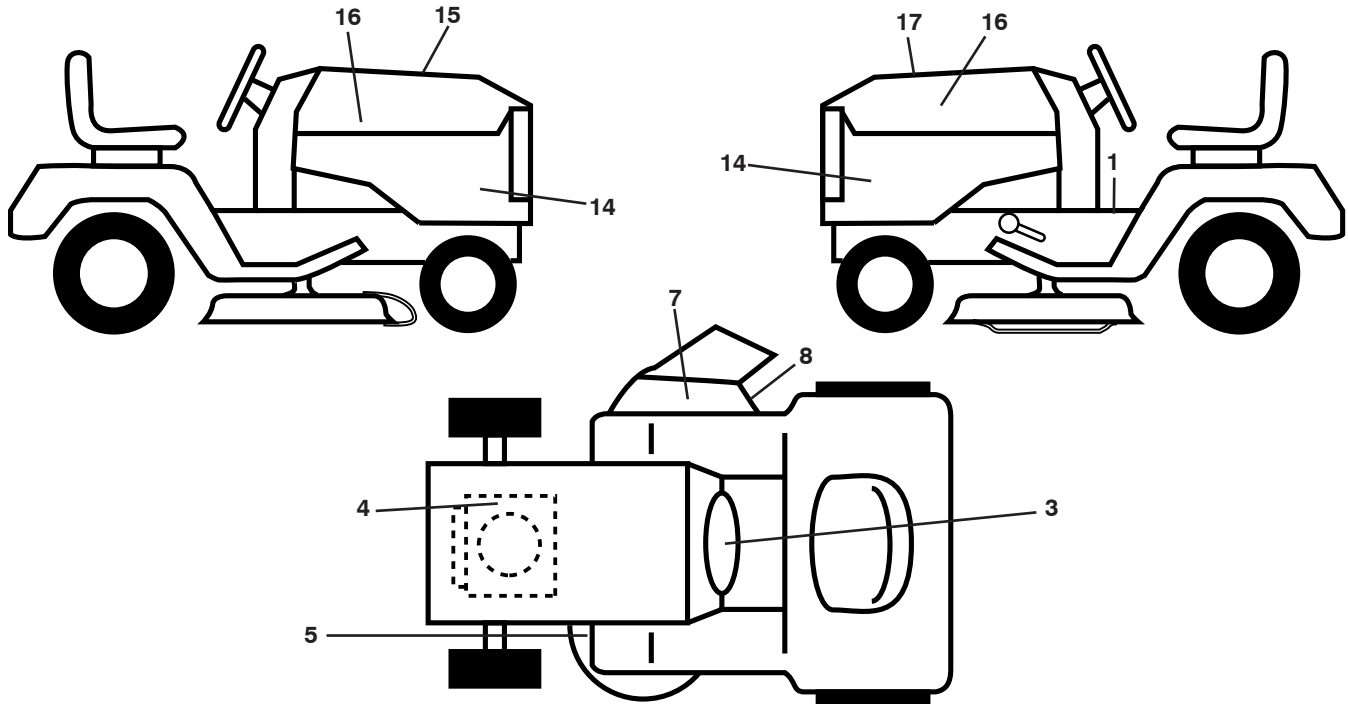
seat-tex\_6.5SL\_16

KEY NO.	PART NO.	DESCRIPTION
1	588 55 67-01	Seat
2	532 18 01-66	Bracket Pivot Fender
6	873 80 06-00	Nut, Lock w/Ins. 3/8-16 unc
7	589 48 35-01	Spring, Seat Cprsn
8	532 17 18-77	Bolt 5/16-18 unc x 3/4 w/Sems
10	587 23 20-02	Pan, Seat
21	587 90 78-01	Bolt, Shoulder 5/16-18
37	873 80 05-00	Nut, Lock 5/16-18 unc

KEY NO.	PART NO.	DESCRIPTION
40	532 19 76-61	Handle Slide Seat
41	532 19 82-00	Spring Latch Seat
43	874 76 06-12	Bolt 3/8-16 x 3/4
44	501 05 18-01	Washer Winged
46	588 09 04-01	Bolt 3/8-16 x 1,1.25

**NOTE:** All component dimensions given in U.S. inches  
1 inch = 25.4 mm

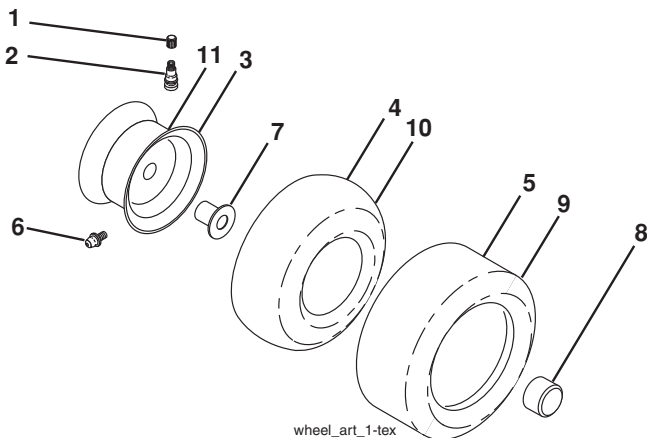
**TRACTOR - MODEL NO. LGTH22V48 (96048005901), PRODUCT NO. 960 48 00-59  
DECALS**



KEY NO.	PART NO.	DESCRIPTION
1	581 57 90-01	Decal, Warning
3	581 57 99-01	Decal, Warn Spark
4	586 00 06-01	Decal, Eng.
5	581 72 45-01	Decal, Caution
7	584 90 46-01	Decal, Deflect. Warning
8	581 58 00-02	Decal, Mower Sch.
14	581 56 97-01	Decal, Panel Side
15	532 42 38-29	Decal, Warning Customer Resp.
16	581 62 73-01	Decal, Hood Logo

KEY NO.	PART NO.	DESCRIPTION
17	585 91 02-01	Decal, Replacement
--	581 72 48-01	Decal, Bypass
--	532 43 98-82	Pad, Footrest, LH
--	532 44 15-42	Pad, Footrest, RH
--	587 94 63-27	Manual, Operator's (English/French)
--	587 94 63-26	Manual, Parts (English/French)
--	587 71 01-26	Manual QSG

**WHEELS AND TIRES**



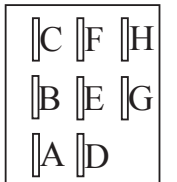
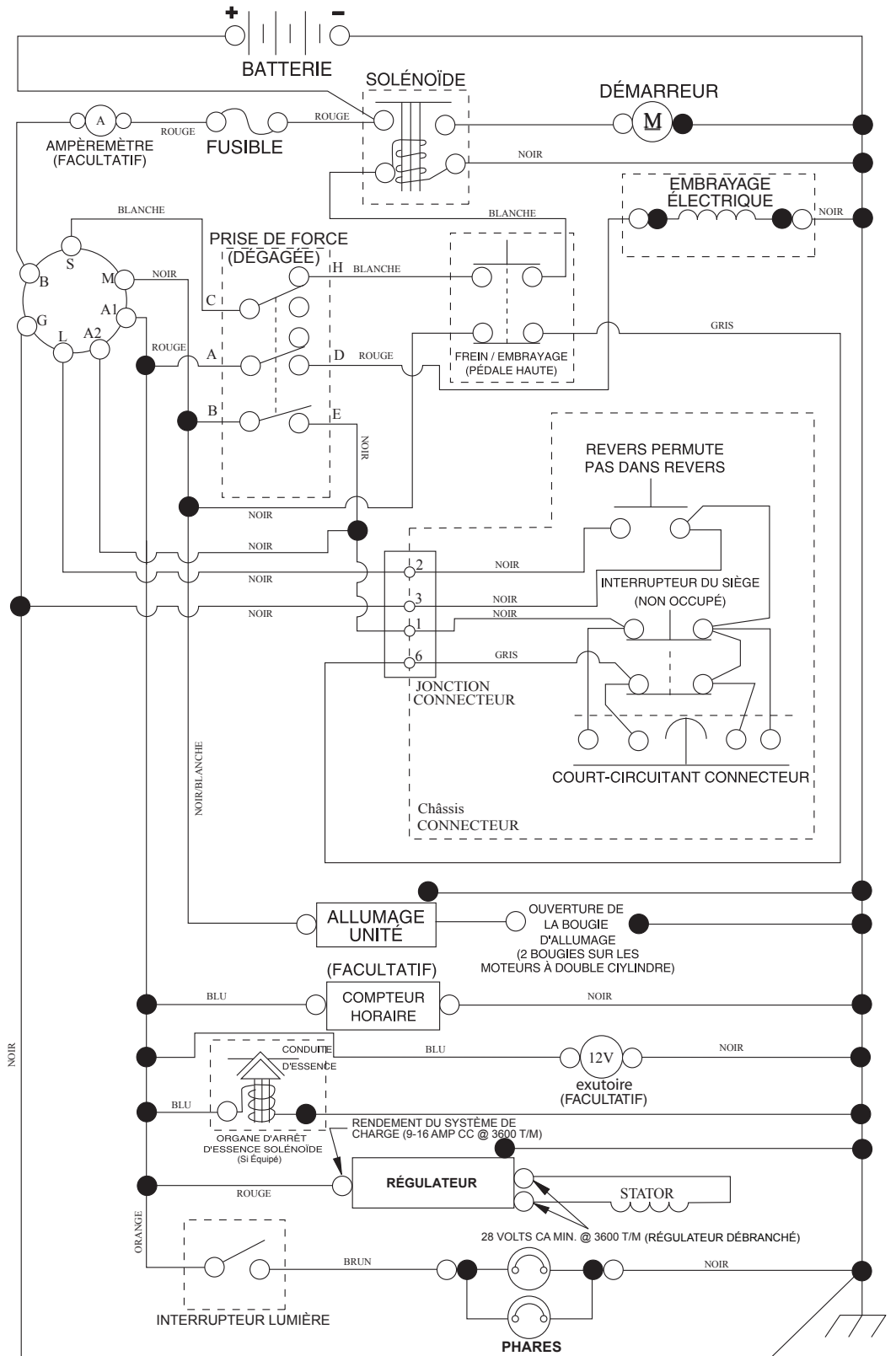
KEY NO.	PART NO.	DESCRIPTION
1	532 05 91-92	Cap, Valve, Tire
2	532 06 51-39	Stem, Valve
3	532 18 18-39	Rim Assembly, Front
4	532 00 81-34	Tube, Front (Service Item Only)
5	532 10 62-30	Tire, Front 16 x 6.5-8
6	532 12 49-57	Fitting, Grease (Front Wheel Only)
7	532 12 49-59	Bearing, Flange (Front Wheel Only)
8	532 17 50-39	Cap, Axle
9	532 18 47-08	Tire, Rear 22 x 9.5-12
10	532 00 71-54	Tube, Rear (Service Item Only)
11	532 40 17-82	Rim Assembly, Rear
--	532 14 43-34	Sealant, Tire (10 oz. Tube)

**NOTE:** All component dimensions given in U.S. inches  
1 inch = 25.4 mm

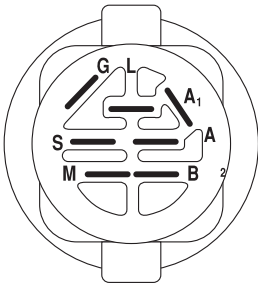
# TRACTEUR - NO. DE MODÈLE LGTH22V48 (96048005901), NO. DE PRODUIT 960 48 00-59

## SCHÉMA

SCH12-F

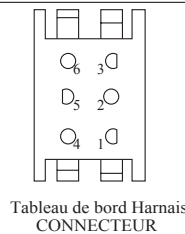
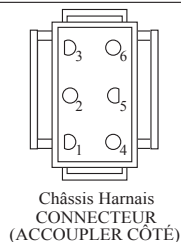


**PRISE DE FORCE  
INTERRUPTEUR  
(ACCOUPLER CÔTÉ)**



**CONTACTEUR D'ALLUMAGE**

POSITION	CIRCUIT	"FAITS"
ARRÊT	M + G + A1	
MARCHE/ ALLUMAGE	B + A1	
MARCHE	B + A1	L + A2
DÉMARRAGE	B + S + A1	



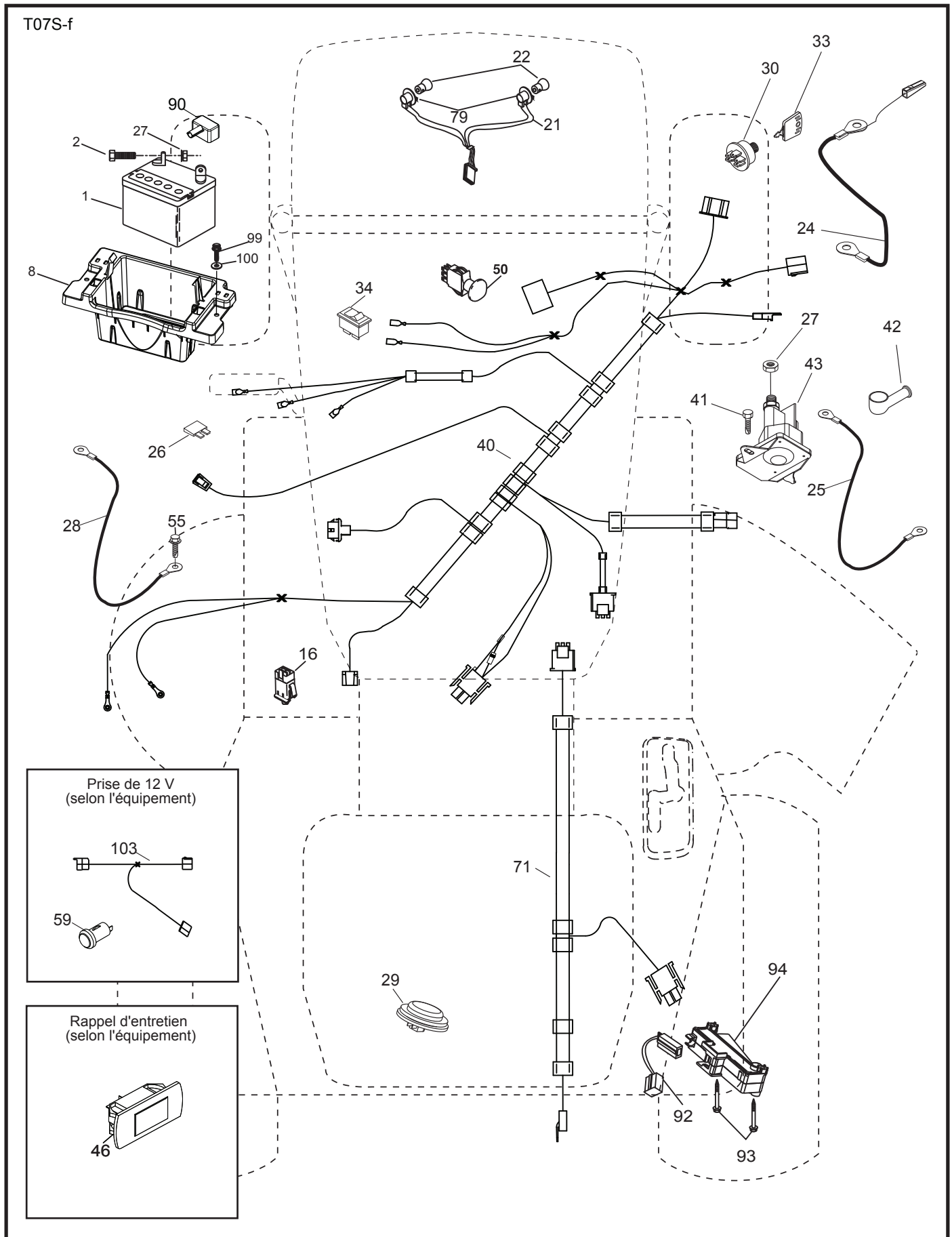
**PINCES ISOLÉES**

**REMARQUE:** SI LES PINCES ISOLÉES ONT ÉTÉ ENLEVÉES POUR L'ENTRETIEN DU MODÈLE, ELLES DOIVENT ÊTRE REMISES EN PLACE POUR ASSURER LE BON FONCTIONNEMENT DU CÂBLAGE.

**CONNECTEURS NON-AMOVIBLES**

**CONNECTEURS AMOVIBLES**

**TRACTEUR - NO. DE MODÈLE LGTH22V48 (96048005901), NO. DE PRODUIT 960 48 00-59  
ÉLECTRIQUE**

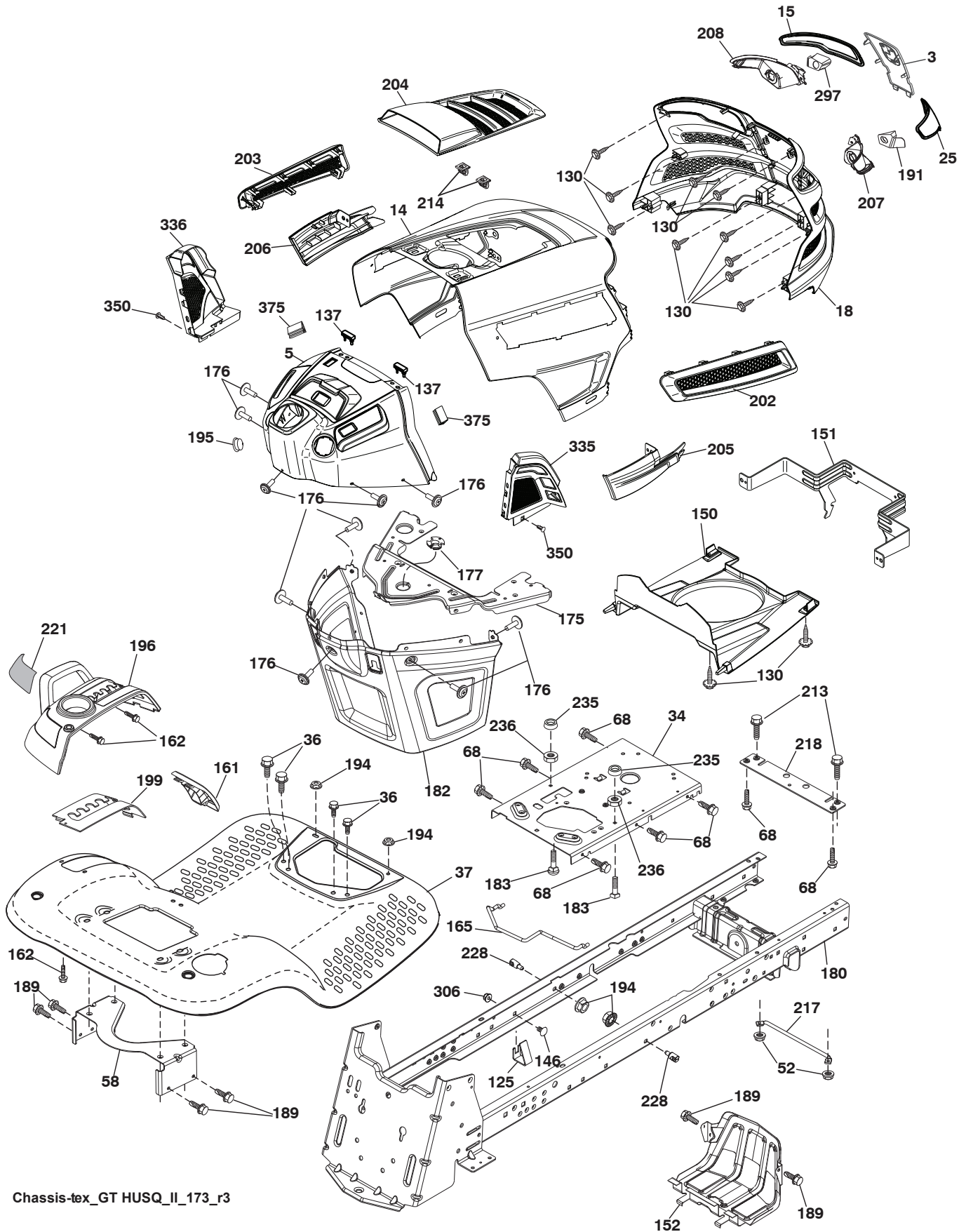


**TRACTEUR - NO. DE MODÈLE LGTH22V48 (96048005901), NO. DE PRODUIT 960 48 00-59  
ÉLECTRIQUE**

<b>NO. DE RÉF.</b>	<b>NO DE PIÈCE</b>	<b>DESCRIPTION</b>
1	532 16 34-65	Batterie
2	874 76 04-12	Boulon H 1/4-20 unc x 3/4
8	587 20 51-01	Bac de batterie
16	532 17 61-38	Interrupteur de verrouillage pressé
21	532 40 02-52	Harnais des prises de courant des phares
22	532 00 41-52	Ampoule N°1156
24	585 55 56-01	Câble de batterie
25	585 55 55-01	Câble de batterie de 6 Ja. avec un fil de 16 po. - rouge
26	532 17 51-58	Fusible
27	873 51 04-00	Écrou H 1/4-20 unc
28	532 41 65-88	Câble de masse de 6 Ja. de 21" - noir
29	532 40 15-45	Interrupteur
30	532 19 33-50	Contacteur d'allumage
33	532 41 19-35	Clé/Chaîne
34	532 11 07-12	L'interrupteur des phares
40	501 13 29-01	Harnais
41	817 72 04-08	Vis 1/4-20 x 1/2
42	532 13 15-63	Couverture de borne
43	582 04 28-01	Solénoïde
46	586 16 18-01	Compteur
50	582 10 76-01	Interrupteur
55	817 06 05-12	Vis 5/16-18 x 3/4
71	532 19 42-76	Harnais des câbles d'allumage
79	532 17 52-42	Prise de courant du phare
90	532 43 53-95	Couverture
92	532 19 66-15	Harnais Nette ROS Interrupteur
93	532 19 25-40	Vis 10-14 x 2.0
94	532 19 18-34	Module Arrière ROS
99	817 67 04-12	Vis H 1/4-20 x 3/4
100	819 09 14-16	Rondelle 9/32 x 7/8 x 16 Ja.

**REMARQUE:** Toutes les dimensions de composant sont données en pouces É.-U. --1 pouce = 25,4 mm

TRACTEUR - NO. DE MODÈLE LGTH22V48 (96048005901), NO. DE PRODUIT 960 48 00-59  
CHÂSSIS/ENCEINTES



Chassis-tex\_GT HUSQ\_II\_173\_r3

**TRACTEUR - NO. DE MODÈLE LGTH22V48 (96048005901), NO. DE PRODUIT 960 48 00-59  
CHÂSSIS/ENCEINTES**

<b>NO. DE RÉF.</b>	<b>NO DE PIÈCE</b>	<b>DESCRIPTION</b>	<b>NO. DE RÉF.</b>	<b>NO DE PIÈCE</b>	<b>DESCRIPTION</b>
3	532 44 44-81	Applique	195	532 40 41-37	Bouchon
5	581 46 68-03	Tableau de bord	196	532 43 97-16	Panneau du tableau de bord
14	532 44 11-77	Capot	199	532 19 82-59	Plaque de renforcement
15	532 43 97-33	Lentilles C.G.	202	532 43 97-28	Ventile C.D.
18	532 44 06-53	Calandre	203	532 43 97-27	Vent C.G.
25	532 44 33-85	Lentilles C.D.	204	532 43 57-14	Ventile sommet
34	580 91 08-01	Plaquette de moteur	205	532 43 97-30	Jupe C.D.
36	817 06 05-12	Vis 5/16-18 x 3/4	206	532 43 97-29	Jupe C.G.
37	532 44 12-08	Aile	207	532 43 97-34	Biseau C.D.
52	873 68 05-00	Écrou	208	532 43 97-35	Biseau C.G.
58	532 19 43-14	Support	213	874 76 05-12	Boulon H 5/16-18 unc x 3/4
68	539 99 08-58	Vis 5/16-18 x 1/2	214	532 19 91-45	Collier de retenue
125	581 68 48-01	Support	217	532 40 91-67	Tige
130	532 41 63-58	Vis #10 x 0.750	218	532 19 63-95	Coussin morceau
137	532 40 75-90	Précipiter le pare-chocs	221	532 19 89-09	Réflecteur
146	581 85 79-01	Boulon	228	532 19 51-61	Attache De Goujon
150	532 43 97-74	Canalisation	235	532 40 61-29	Pare-chocs plus spatial
151	532 43 66-70	Pivot de support	236	873 93 05-00	Écrou
152	532 43 98-70	Deflecteur	297	532 43 74-56	Insertion
161	532 43 99-29	Fenetre de combustible	306	873 90 06-00	Écrou
162	532 14 24-32	Vis H 1/4 x 1/2	335	532 44 82-04	Couvercle (C.D.)
165	532 19 68-26	Soutien du support	336	532 44 53-09	Couvercle (C.G.)
175	590 60 77-02	Pièce d'entretoisement	350	532 44 51-43	Attache
176	532 40 07-76	Vis 10-24 x 5/8	375	586 90 82-01	Pare-chocs de capuchon
177	532 19 52-28	Douille 10-24 x 5/8	--	532 40 09-44	Jeu de pare-chocs
180	532 19 54-77	Châssis			
182	586 73 86-02	Tableau de bord			
183	874 20 05-20	Boulon 5/16-18 x 1-1/4			
189	817 00 05-12	Vis 5/16-18 x 3/4			
191	532 43 74-55	Insertion réfléchissante C.D.			
194	873 90 05-00	Écrou frein 5/16-18			

**REMARQUE:** Toutes les dimensions de composant sont données en pouces É.-U. --1 pouce = 25,4 mm





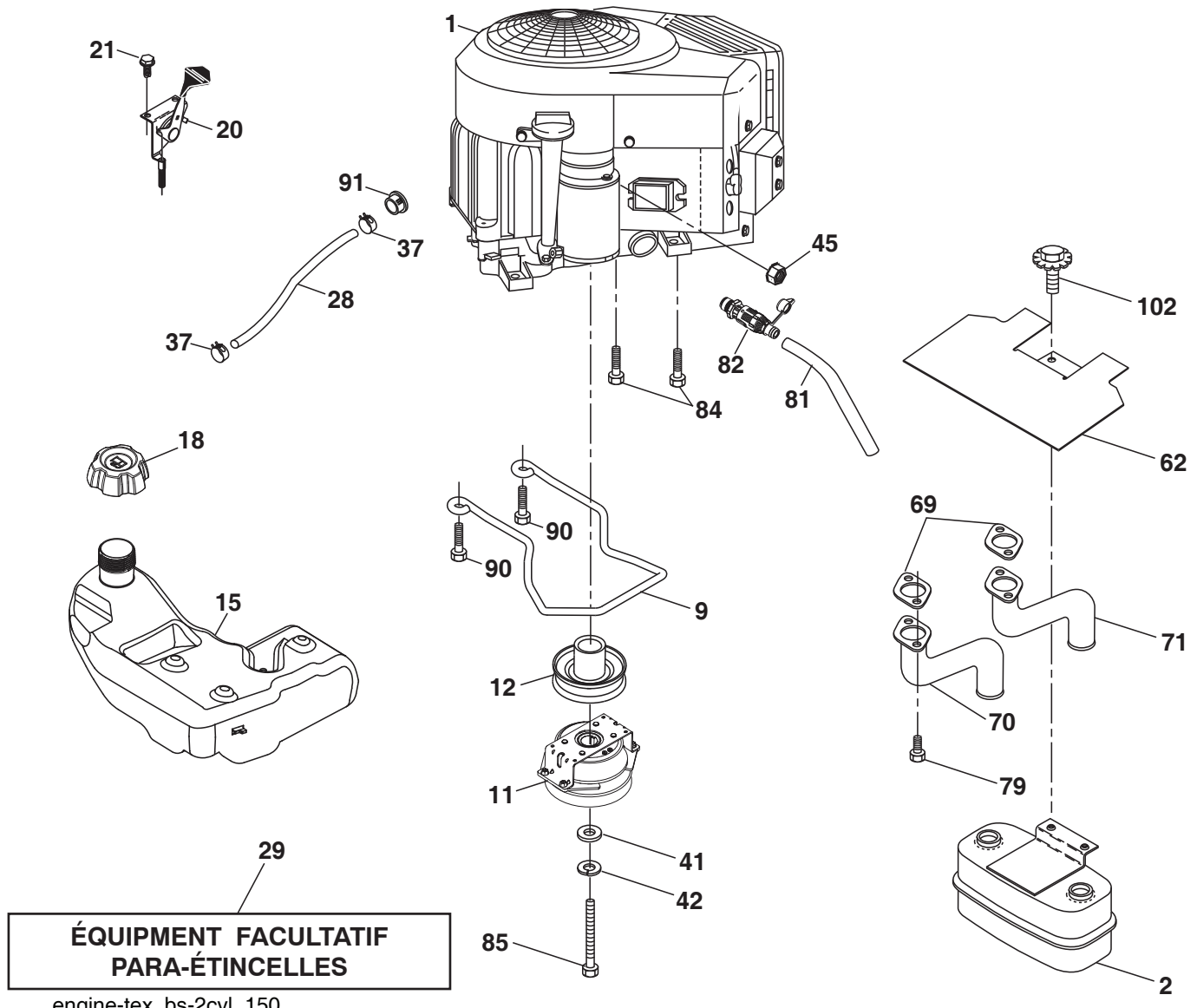


# TRACTEUR - NO. DE MODÈLE LGTH22V48 (96048005901), NO. DE PRODUIT 960 48 00-59 ENTRAÎNEMENT

NO. DE RÉF.	NO DE PIÈCE	DESCRIPTION	NO. DE RÉF.	NO DE PIÈCE	DESCRIPTION
1	---	Transmission, TuffTorq K46AW (448354) (Commandez les pièces du fabricant du transmission.)	175	532 40 62-08	Ensemble de l'arbre
			176	532 19 62-14	Bras d'embrayage
			178	532 19 74-56	Ressort de changement
2	532 18 62-11	Clé	183	532 40 04-24	Entretoise fendue
7	532 19 98-44	Moyeu roue arrière 22" TX GT .06	184	587 65 37-01	Poignée de frein de stationnement
9	532 14 00-80	Boulon	185	872 11 06-22	Boulon
15	819 13 13-16	Rondelle 13/32 x 13/16 x 16 Ja.	186	532 19 43-21	Ressort de retenue
17	532 41 36-78	Ressort	187	819 13 32-10	Rondelle
22	532 19 73-29	Tige de changement	188	582 21 70-01	Raccord d'embrayage longue
23	532 14 08-45	Bouton	189	532 19 43-17	Levier coudé
29	532 40 38-06	Tige du frein	190	532 19 43-18	Garde du courraie
33	812 00 00-01	Bague en E	196	817 00 06-16	Vis 3/8-16 x 1
35	590 60 59-02	Tige du frein de stationnement	197	585 65 86-01	Tige
42	532 12 48-72	Couverture de la pédale	205	532 12 17-48	Rondelle 25/32 x 1-5/8 x 16 Ja.
49	872 11 06-14	Boulon	211	532 19 62-12	Support poulie du galet-tendeur
50	532 19 43-27	Poulie du galet-tendeur	216	532 19 61-31	Réfecteur C.D.
51	873 90 06-00	Écrou frein 3/8-16	220	532 19 89-08	Douille
52	532 19 43-26	Galet-tendeur	221	532 40 31-87	Ressort de retenue
56	532 13 09-69	Courroie trapézoïdale	225	532 40 33-19	Garde du courroie
64	532 19 62-00	Ensemble de l'arbre	227	817 49 05-12	Vis 5/16-18 x 3/4
70	532 43 96-60	De l'aile Console	230	532 18 89-67	Rondelle
73	874 49 05-60	Boulon 5/16-18 x 3.75	231	532 40 72-87	Galet-tendeur
74	532 14 24-32	Vis 1/4 x 1/2 unc	233	532 40 52-96	Rondelle
99	532 41 57-43	Tige de derivation	276	874 78 07-16	Boulon 7/16-14 x 1 Cat. 5
116	873 90 05-00	Écrou frein 5/16-18	279	532 40 62-07	Tige
125	817 00 05-12	Vis 5/16-18 x 3/4	325	585 99 57-02	Support
143	539 99 08-58	Vis 5/16-18 x 1/2	326	585 99 31-02	Support
153	532 12 47-88	Ressort de retenue	334	585 88 22-02	Support
159	876 02 04-12	Goupille fendue 1/8 x 3/4	336	587 25 96-01	Boulon
160	532 16 94-84	Collier de retenue			
161	532 10 57-09	Ressort de rappel d'embrayage			
162	580 45 74-01	Essieu d'entretoise 18 and 22			
166	532 42 91-64	Poussez l'écrou .625			
167	532 40 52-57	Loquet			
170	532 41 34-30	Guide-courroie			
174	532 19 72-89	Rondelle frein			

**REMARQUE:** Toutes les dimensions de composant sont données en pouces É.-U. --1 pouce = 25,4 mm

**TRACTEUR - NO. DE MODÈLE LGTH22V48 (96048005901), NO. DE PRODUIT 960 48 00-59**  
**MOTEUR**



# TRACTEUR - NO. DE MODÈLE LGTH22V48 (96048005901), NO. DE PRODUIT 960 48 00-59 MOTEUR

NO. DE RÉF.	NO DE PIÈCE	DESCRIPTION
1	---	Moteur B&S de modèle 44N677-0014-G1 (501258801) (Commandez les pièces du fabricant du moteur.)
2	532 44 59-62	Silencieux
9	501 83 26-02	Ensemble de la guide courroie du moteur
11	587 24 14-01	Embrayage
12	532 19 43-43	Poulie
15	532 19 34-99	Réservoir d'essence
18	584 24 87-02	Chapeau
20	587 24 25-01	Commande des gaz
21	532 41 63-58	Vis #10 x 0.750
28	532 14 21-58	Conduite d'essence
29	532 13 71-80	Jeu de pare - étincelles
37	532 12 34-87	Bride de serrage de tuyau
41	532 12 61-97	Rondelle 1-1/2 OD x 15/32 ID x .250
42	539 99 02-47	Rondelle 7/16
45	873 51 04-00	Écrou H 1/4-20 unc
62	532 43 40-17	Défecteur de débris
69	532 16 53-91	Garniture de silencieux
70	581 88 11-01	Tube C.G.
71	581 88 10-01	Tube C.D.
79	532 18 39-06	Vis 5/16-18 x .75
81	532 14 84-56	Tuyau D'huile
82	532 42 82-87	Rallonge D'huile
84	817 06 06-20	Vis 3/8-16 x 1
85	501 60 69-01	Boulon H 7/16-20 x 3.0
90	817 00 06-16	Vis 3/8-16 x 1
91	532 18 74-95	Douille
102	817 00 05-12	Vis 5/16-18 x 3/4

**REMARQUE:** Toutes les dimensions de composant sont données en pouce d'E.-U. - - 1 pouce = 25,4 mm.

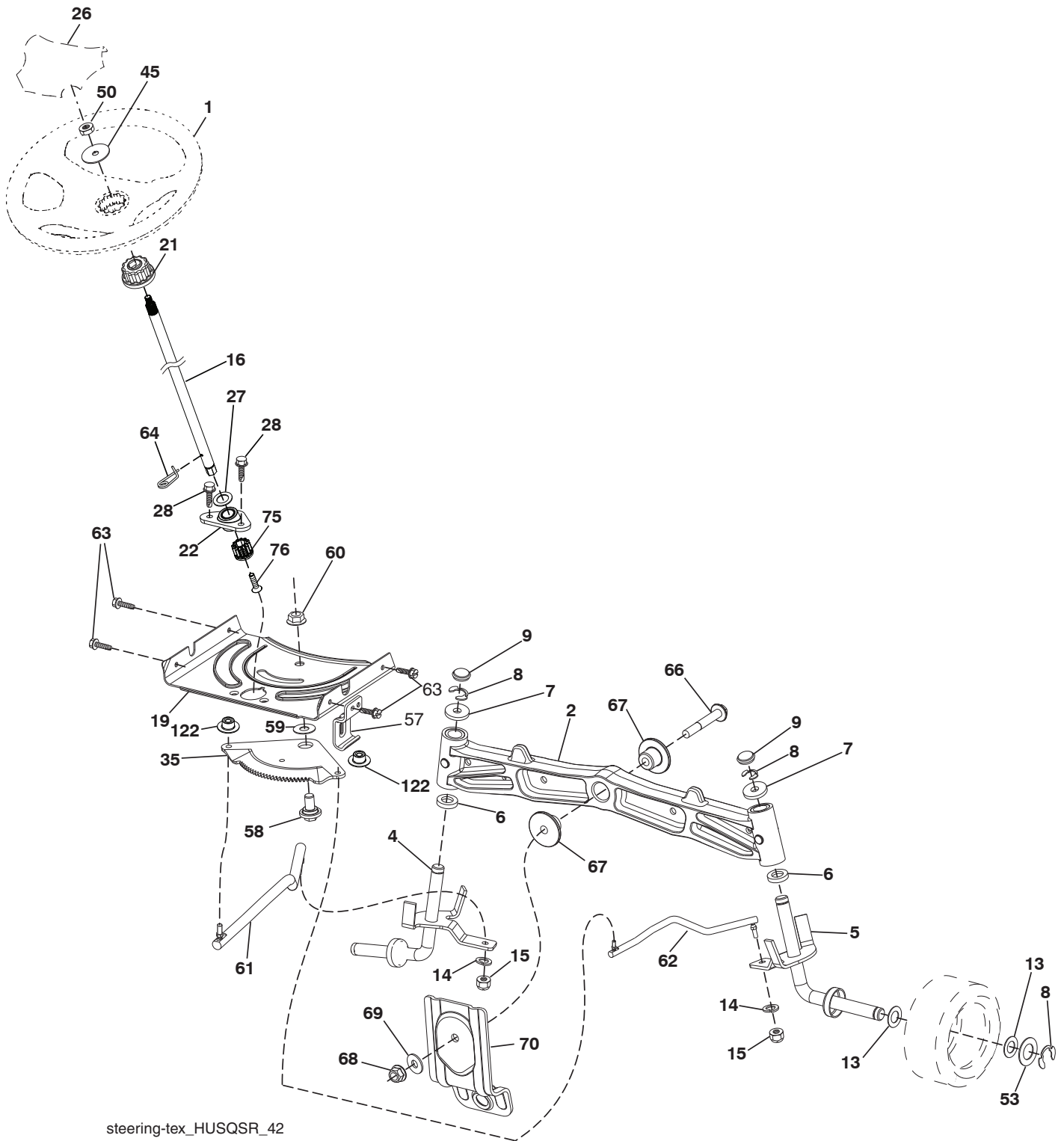
Pour des pièces de service et de rechange de moteur, réclamez le numéro de téléphone libre pour votre fabricant de moteur énuméré ci-dessous:

Briggs & Stratton                      1-800-233-3723

## Informations concernant la puissance théorique du moteur

La puissance brute pour chaque Modèle de moteur à essence est indiquée conformément au code J1940 (procédure de calcul de la puissance et du couple des petits moteurs) de la SAE (Society of Automotive Engineers) et les performances théoriques ont été obtenues et corrigées selon SAE J1995 (révision 2002-05). Les valeurs de couple sont calculées sur la base de 3060tr/min et celles de puissance sur la base de 3600tr/min. La puissance brute réelle du moteur peut être plus faible notamment à cause des conditions de fonctionnement et des variations d'un moteur à l'autre. Compte tenu de la grande variété de machines sur lesquelles nos moteurs sont utilisés et du nombre de problèmes environnementaux applicables au fonctionnement des équipements, il se peut que le moteur à essence ne développe pas sa puissance théorique une fois qu'il est monté sur une machine particulière (puissance nette ou réelle «sur site»). Cette différence s'explique par un grand nombre de facteurs, tels que (liste non limitative): accessoires (filtre à air, échappement, admission, refroidissement, carburateur, pompe à essence, etc.), limites d'utilisation, conditions ambiantes d'utilisation (température, humidité, altitude) et variations d'un moteur à l'autre. Pour des raisons de fabrication et de capacité limitées, Briggs & Stratton est susceptible de remplacer ce Modèle par un moteur plus puissant.

TRACTEUR - NO. DE MODÈLE LGTH22V48 (96048005901), NO. DE PRODUIT 960 48 00-59  
ENSEMBLE DE LA DIRECTION



steering-tex\_HUSQSR\_42

**TRACTEUR - NO. DE MODÈLE LGTH22V48 (96048005901), NO. DE PRODUIT 960 48 00-59  
ENSEMBLE DE LA DIRECTION**

<b>NO. DE RÉF.</b>	<b>NO DE PIÈCE</b>	<b>DESCRIPTION</b>
1	532 43 97-40	Volant de direction
2	532 19 59-68	Essieu
4	532 40 30-89	Ensemble de la broche C.G.
5	532 40 30-90	Ensemble de la broche C.D.
6	532 12 49-31	Palier de butée durci
7	532 12 17-48	Rondelle 25/32 x 1-5/8 x 16 Ja.
8	812 00 00-29	Rondelle clip n°T5304-75
9	532 12 12-32	Chapeau de broche
13	532 12 17-49	Rondelle 25/32 x 1-1/4 x 16 Ja.
14	539 99 01-18	Rondelle SLW 3/8
15	873 54 06-00	Écrou frein 3/8-24 unf
16	587 01 60-02	Arbre de direction
19	532 19 47-29	Arbre de plaque
21	586 84 02-01	Adaptateur du volant de direction
22	585 02 99-01	Palier
26	532 43 97-43	Insert de chapeau du volant de direction
27	819 21 16-16	Rondelle 21/32 x 1 x 16 Ja.
28	817 00 06-12	Vis 3/8-16 x 3/4
35	532 19 47-32	Secteur denté
45	587 01 64-01	Rondelle 3/8 ID 2-3/80P.12 Ja.
50	873 90 06-00	Écrou
53	532 18 89-67	Rondelle .793 x 1.637 x .060
57	532 19 72-46	Support
58	532 19 47-47	Boulon à épaulement
59	532 19 47-48	Rondelle
60	873 97 10-00	Écrou frein à collet 5/8-11
61	532 19 47-40	Barre de direction C.G.
62	532 19 47-41	Barre de direction C.D.
63	817 00 05-12	Vis 5/16-18 x 3/4
64	532 19 98-49	Collier de retenue
66	871 02 07-48	Boulon H 7/16-14 x 3
67	532 19 47-37	Douille
68	873 90 07-00	Écrou frein à collet 7/16-14 Cat. 5
69	532 19 91-62	Rondelle 1.5 x .505 x .118
70	585 33 88-01	Support
75	580 68 37-01	Pignon
76	580 68 36-01	Vis
122	532 44 49-62	Chapeau

**REMARQUE:** Toutes les dimensions de composant sont données en pouces É.-U. --1 pouce = 25,4 mm

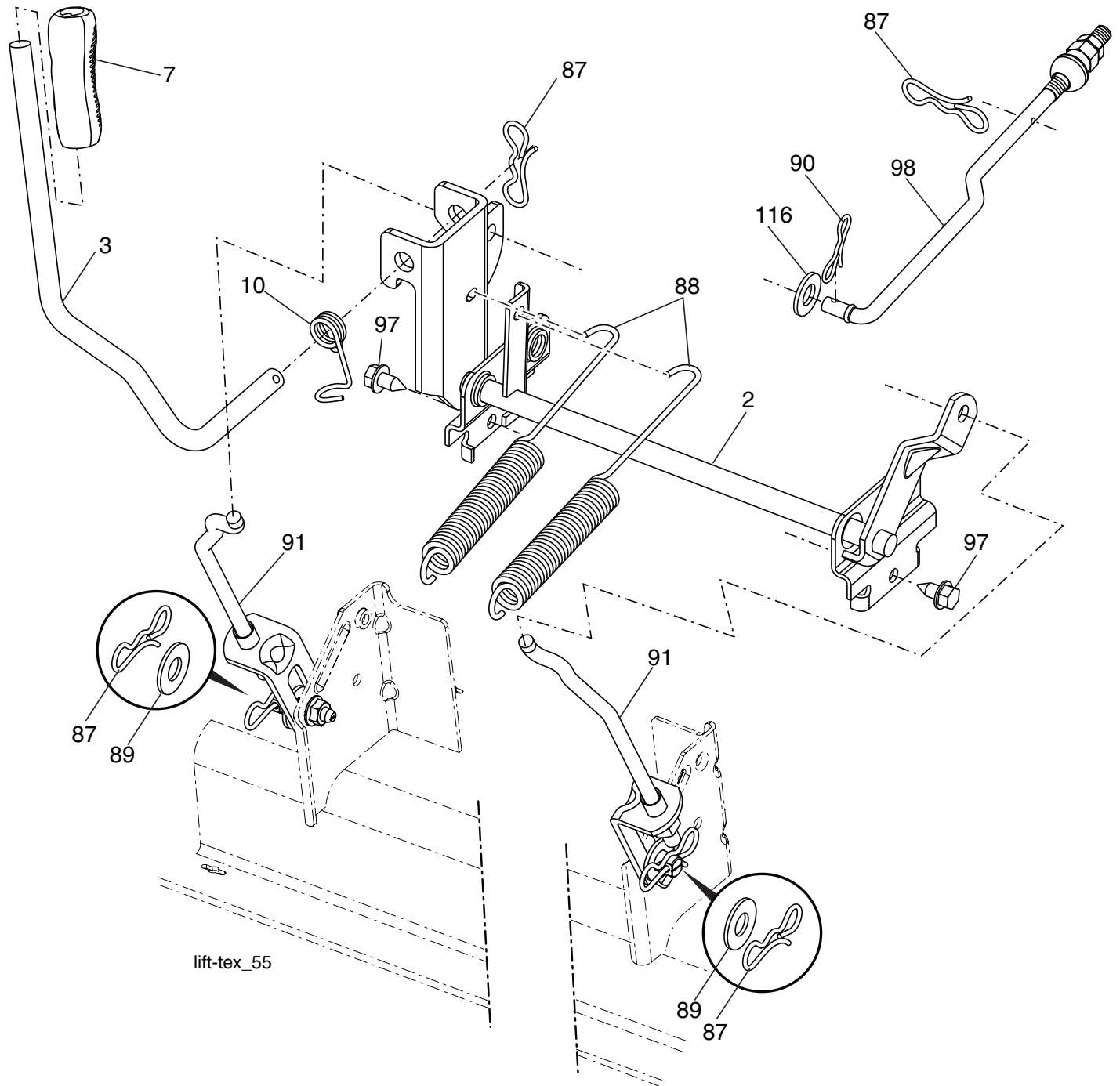


**TRACTEUR - NO. DE MODÈLE LGTH22V48 (96048005901), NO. DE PRODUIT 960 48 00-59  
CARTER DE TONDEUSE**

NO. DE RÉF.	NO DE PIÈCE	DESCRIPTION	NO. DE RÉF.	NO DE PIÈCE	DESCRIPTION
1	586 39 87-01	Logement De Tondeuse À Gazon	98	532 19 61-05	Ressort
6	532 19 72-48	Louverture Du Mandrin C.G.	113	539 10 72-71	RHSNB 5/16-18 x 1 Cat. 5
7	587 45 24-01	Louverture Du Mandrin C.D.	114	532 19 74-51	Tige
11	532 18 00-54	Tondeuse À Gazon De Lame	116	532 19 34-06	Boulon
12	532 40 48-51	Tige	117	589 52 73-01	Roue
13	587 25 64-01	Ensamble D'arbre, Mandrin	120	819 13 20-12	Rondelle 13/32 X 1-1/4 X 12 Ja.
14	532 18 72-81	Carter de Mandrin	122	532 18 75-57	Çoussinet
15	585 32 39-01	Palier	185	873 90 07-00	Écrou Frein 7/16-14 Cat. 5
16	819 13 13-12	Rondelle 13/32 X 13/16 X 12 Ja.	187	532 19 51-61	Attache À Tenon
17	872 11 05-05	Boulon 5/16-18 X 5/8	188	873 90 05-00	Écrou Frein
18	872 14 05-05	Boulon 5/16-18 X 5/8	189	587 14 05-02	Bras fixe suspension
19	532 19 42-08	Goupille Fendue 5/16	190	532 19 65-39	Boulon
20	532 17 43-78	Chicane	194	874 49 07-36	Boulon 7/16 - 24
21	873 68 05-00	Écrou	241	532 15 29-27	Vis #10-32.5 3/8
22	532 17 44-93	Mandrin	242	532 41 55-98	Raccord De Lavage
24	532 10 53-04	Chapeau	250	585 31 80-05	Boulon avant de renfort de plaque
25	532 17 81-02	Ressort, La Torsion, Le Déflecteur	251	585 32 24-05	Boulon latéral de renfort de plaque
26	532 11 04-52	Écrou	252	539 10 98-00	Boulon de chariot 1/4-20 x 1
27	532 18 17-07	Garde du Déflecteur	253	873 90 04-00	Écrou H
29	532 13 14-91	Tige	--	587 12 54-01	Ensemble De Mandrin
32	532 15 35-32	Poulie de Mandrin			Ensemble Du Mandrin (Inclut
33	532 40 02-34	Écrou			Boîtier (Key #14), Ensemble
36	584 30 93-01	Vis 7/16-20 x 1			Arbe (Key #13), Et Palier
39	532 19 73-80	Poulie 4.50 Moyeu D'a			(Key #15) Seulement -
41	584 95 39-01	Boulon			Poulie/Écrou/Rondelle Et
43	532 19 60-65	Ressort De Torsion Du Arrétoir			Lame, Boulon/Rondelle Ne
46	532 13 77-29	Vis			Pas Inclut.)
47	532 19 72-42	Courroie Trapézoïdale De La Tondeuse	--	532 41 82-23	La Tondeuse À Gazon De
48	532 19 73-79	Poulie De Tension 4.50 Raw	--	532 41 64-05	Remplacement, Compléter
49	873 90 06-00	Écrou Frein 3/8-16 Unc			Connecter D'accouplement Du
50	817 49 06-36	Boulon 3/8-16 unc x 2-1/4			Rapide
52	532 19 31-97	Poulie 48" Principal			
54	872 11 06-12	Boulon 3/8-16 X 1-1/2 Cat.5			
97	532 17 85-15	Rondelle			

**REMARQUE:** Toutes les dimensions de composant sont données en pouces É.-U. --1 pouce = 25,4 mm

**TRACTEUR - NO. DE MODÈLE LGTH22V48 (96048005901), NO. DE PRODUIT 960 48 00-59  
LEVAGE DE TONDEUSE**



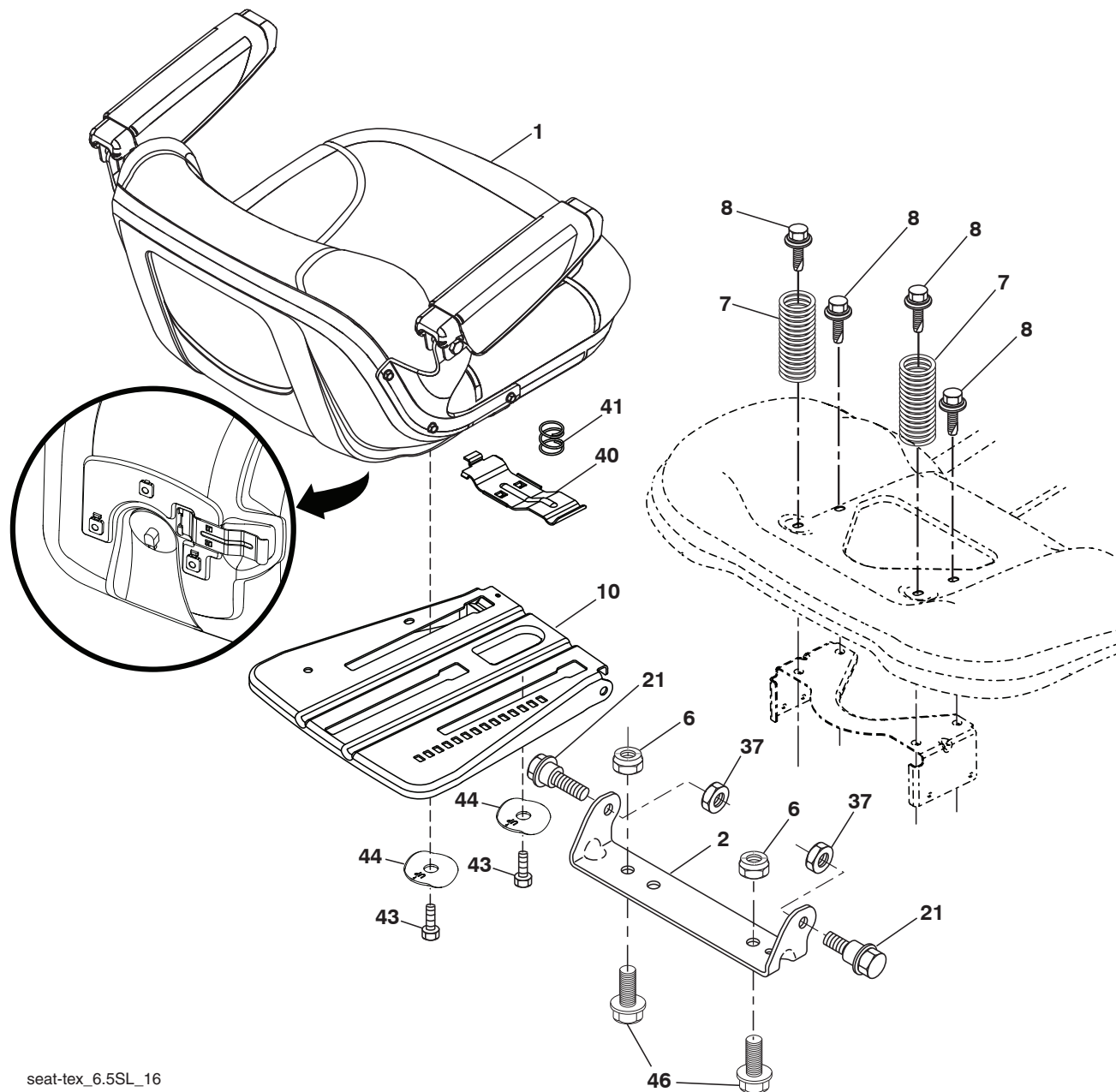
NO. DE RÉF.	NO DE PIÈCE	DESCRIPTION
2	532 42 20-27	Ensemble de l'arbre
3	532 19 52-30	Ensemble de l'arbre de levage C.D.
7	580 96 23-01	Poignée cannelée du levier
10	532 19 63-14	Ressort de Torsion
87	532 19 42-09	Goupille fendue 7/16
88	532 19 53-04	Ressort de retenue
89	819 19 19-12	Rondelle

NO. DE RÉF.	NO DE PIÈCE	DESCRIPTION
90	532 19 42-08	Goupille fendue 5/16
91	532 19 79-84	Raccord de levage
97	817 00 06-12	Vis 3/8-16 x 3/4
98	532 19 52-64	Raccord de levage
116	819 15 15-16	Rondelle 15/32 x 15/16 x 16 Ja.

**REMARQUE:** Toutes les dimensions de composant sont données en pouces É.-U. --1 pouce = 25,4 mm



**TRACTEUR - NO. DE MODÈLE LGTH22V48 (96048005901), NO. DE PRODUIT 960 48 00-59  
ENSEMBLE DU SIÈGE**



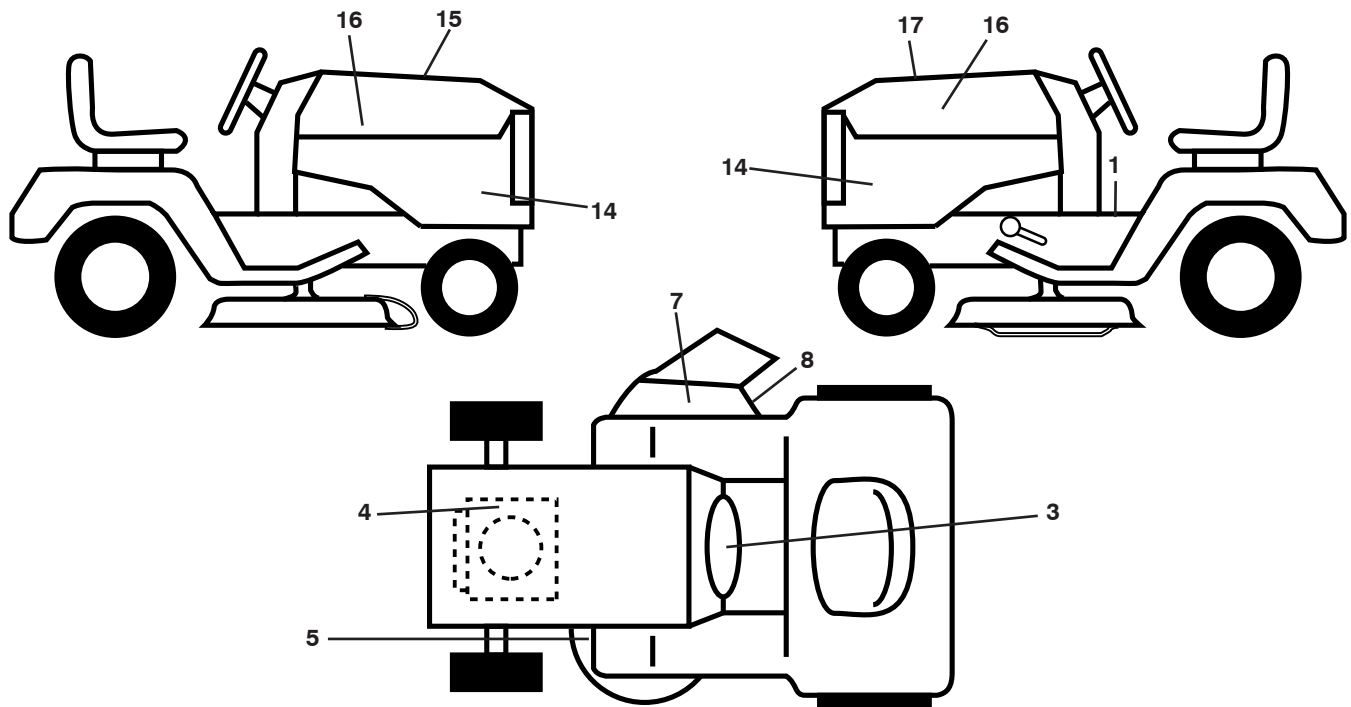
seat-tex\_6.5SL\_16

NO. DE RÉF.	NO DE PIÈCE	DESCRIPTION
1	588 55 67-01	Siège
2	532 18 01-66	Support de pivot
6	873 80 06-00	Écrou frein H avec insert 3/8-16 unc
7	589 48 35-01	Ressort de compression du siège
8	532 17 18-77	Boulon 5/16-18 unc x 3/4
10	587 23 20-02	Cuvette du siège
21	587 90 78-01	Boulon à épaulement 5/16-18
37	873 80 05-00	Écrou frein 5/16-18 unc

NO. DE RÉF.	NO DE PIÈCE	DESCRIPTION
40	532 19 76-61	Guidon
41	532 19 82-00	Ressort de compression
43	874 76 06-12	Boulon 3/8-16 x 3/4
44	501 05 18-01	Rondelle ailé
46	588 09 04-01	Boulon 3/8-16 x 1, 1.25

**REMARQUE:** Toutes les dimensions de composant sont données en pouces E.-U. --1 pouce = 25,4 mm

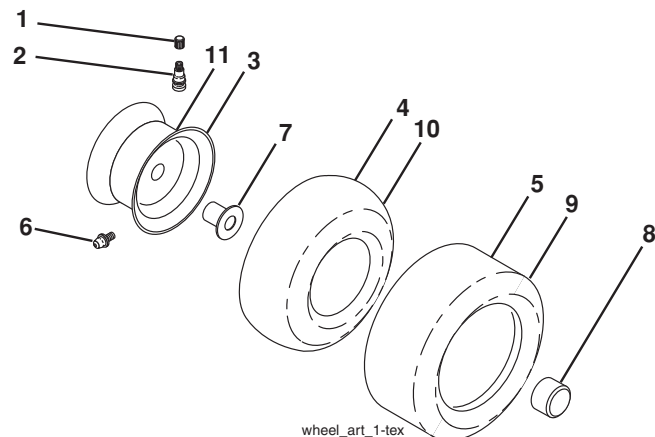
**TRACTEUR - NO. DE MODÈLE LGTH22V48 (96048005901), NO. DE PRODUIT 960 48 00-59  
DÉCALCOMANIE**



NO. DE RÉF.	NO DE PIÈCE	DESCRIPTION
1	581 57 90-01	Décalcomanie avertissement
3	581 57 99-01	Décalcomanie d'avertissement
4	586 00 06-01	Décalcomanie
5	581 72 45-01	Décalcomanie attention
7	584 90 46-01	Décalcomanie avertissement
8	581 58 00-02	Décalcomanie de tondeuse
14	581 56 97-01	Décalcomanie
15	532 42 38-29	Décalcomanie du panneau latéral
16	581 62 73-01	Décalcomanie du capot
17	585 91 02-01	Décalcomanie de pièces de re-

NO. DE RÉF.	NO DE PIÈCE	DESCRIPTION
--	581 72 48-01	change
--	532 43 98-82	Décalcomanie dérivation
--	532 44 15-42	Coussin d'repose-pied C.G.
--	587 94 63-27	Coussin d'repose-pied C.D.
--	587 94 63-26	Manuel de l'opérateur (Anglais/Français)
--	587 94 63-26	Manuel de pièces de rechange (Anglais/Français)
--	587 71 01-26	Manuel de QSG

**ROUES & PNEUS**



NO. DE RÉF.	NO DE PIÈCE	DESCRIPTION
1	532 05 91-92	Capuchon de la valve du pneu
2	532 06 51-39	Tubulure de la valve
3	532 18 18-39	Ensemble de la jante antérieure
4	532 00 81-34	Chambre à air antérieure (non fournie)
5	532 10 62-30	Pneu antérieur 16 x 6.5-8
6	532 12 49-57	Graisseur (roue antérieure seulement)
7	532 12 49-59	Palier à bride (roue antérieure seulement)
8	532 17 50-39	Chapeau de l'essieu
9	532 18 47-08	Pneu arrière 22 x 9.5-12
10	532 00 71-54	Chambre à air arrière (non fournie)
11	532 40 17-82	Ensemble de la jante arrière
--	532 14 43-34	Joint d'étanchéité de pneu (tube de .30L [10 oz. Tube])

**REMARQUE:** Toutes les dimensions de composant sont données en pouces É.-U. --1 pouce = 25,4 mm

---

**SERVICE NOTES  
REMARQUES D'ENTRETIEN**

---



[www.husqvarna.com](http://www.husqvarna.com)