

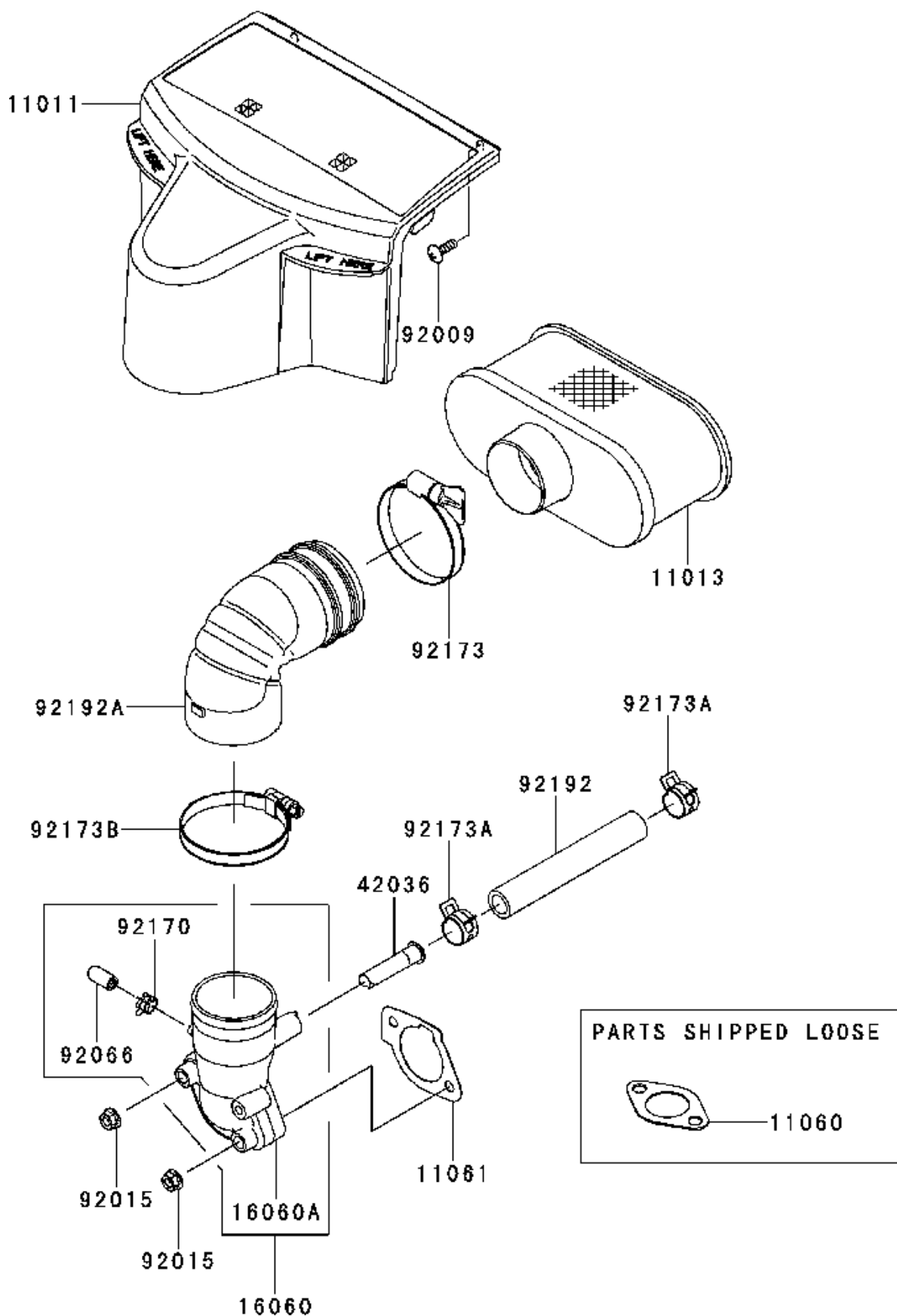


# SPARE PARTS LIST

ENGINES & TRANSMISSIONS

KAWASAKI ENGINES, FR691V-AS29,  
2017-09

E0190-B681A

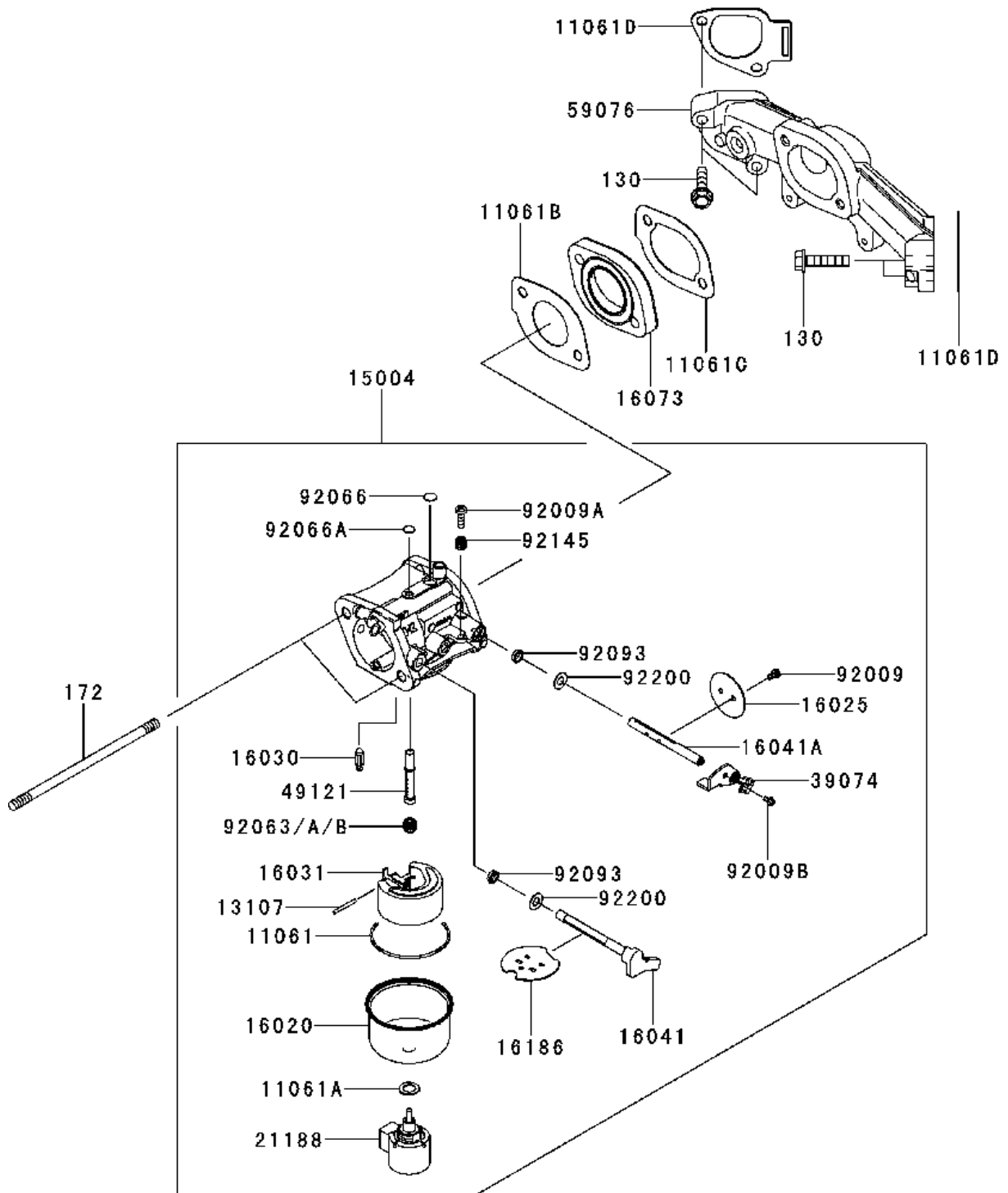


## AIR FILTER &amp; MUFFLER

KAWASAKI ENGINES, FR691V-AS29, 2017-09

| Ref       | Part No      | Description | Remark                     | QTY KIT |
|-----------|--------------|-------------|----------------------------|---------|
| 11011     | 591 45 74-37 | CASE        | CASE-AIR FILTER            | 1       |
| 11013     | 585 45 50-02 | AIR FILTER  | ELEMENT-AIR FILTER         | 1       |
| Not shown | 586 62 95-01 | AIR FILTER  | ELEMENT-PRE FILTER         | 1       |
| 11060     | 110 60 70-16 | GASKET      | GASKET                     | 2       |
| 11061     | 586 63 05-01 | GASKET      | GASKET,CARBURETOR/<br>PIPE | 1       |
| 16060     | 591 45 75-40 | PIPE        | PIPE-INTAKE                | 1       |
| 16060A    | 586 63 07-01 | PIPE        | PIPE-INTAKE                | 1       |
| 42036     | 592 73 97-28 | SLEEVE      | SLEEVE,BREATHER            | 1       |
| 92009     | 586 52 54-01 | SCREW       | SCREW                      | 2       |
| 92015     | 577 58 08-01 | NUT         | NUT,FLANGED,6MM            | 2       |
| 92066     | 586 51 88-01 | PLUG        | PLUG                       | 1       |
| 92170     | 586 51 89-01 | CLAMP       | CLAMP                      | 1       |
| 92173     | 586 63 08-01 | CLAMP       | CLAMP                      | 1       |
| 92173A    | 577 58 10-01 | CLAMP       | CLAMP                      | 2       |
| 92173B    | 580 46 66-01 | CLAMP       | CLAMP                      | 1       |
| 92192     | 586 51 90-01 | TUBE        | TUBE,12.6X18.6X118         | 1       |
| 92192A    | 586 63 10-01 | TUBE        | TUBE                       | 1       |

E0180-B140A

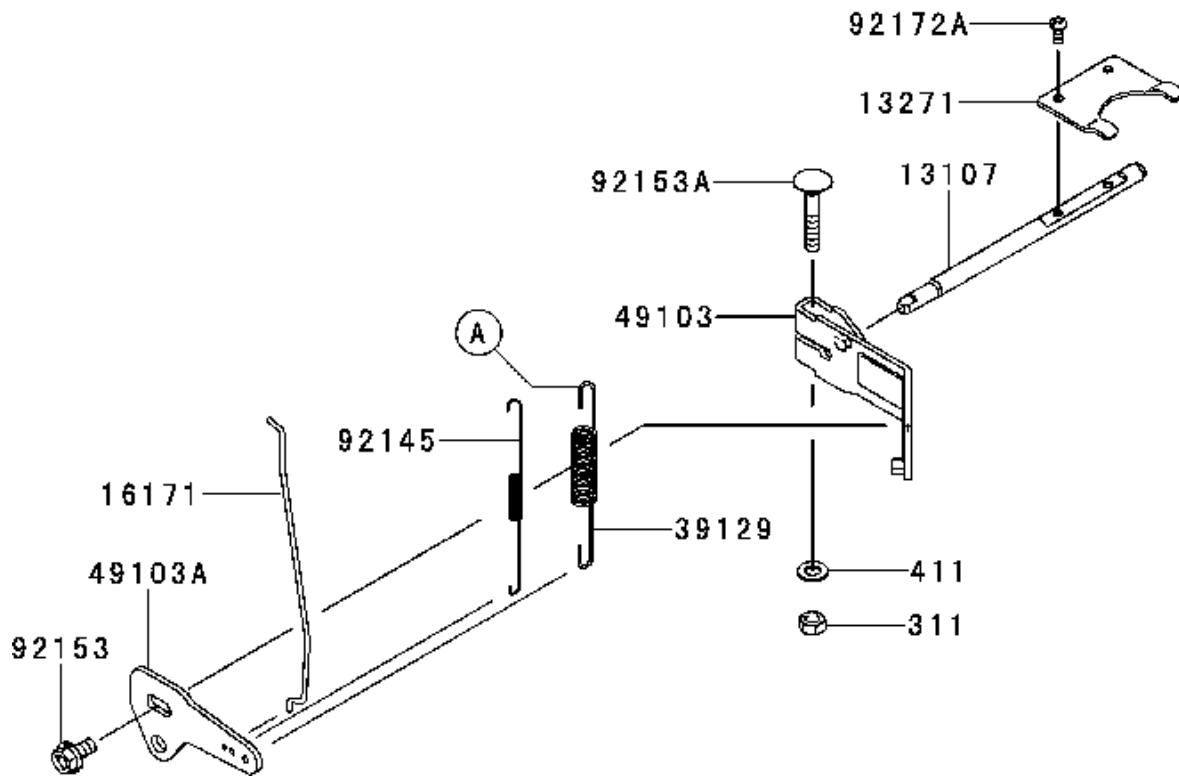
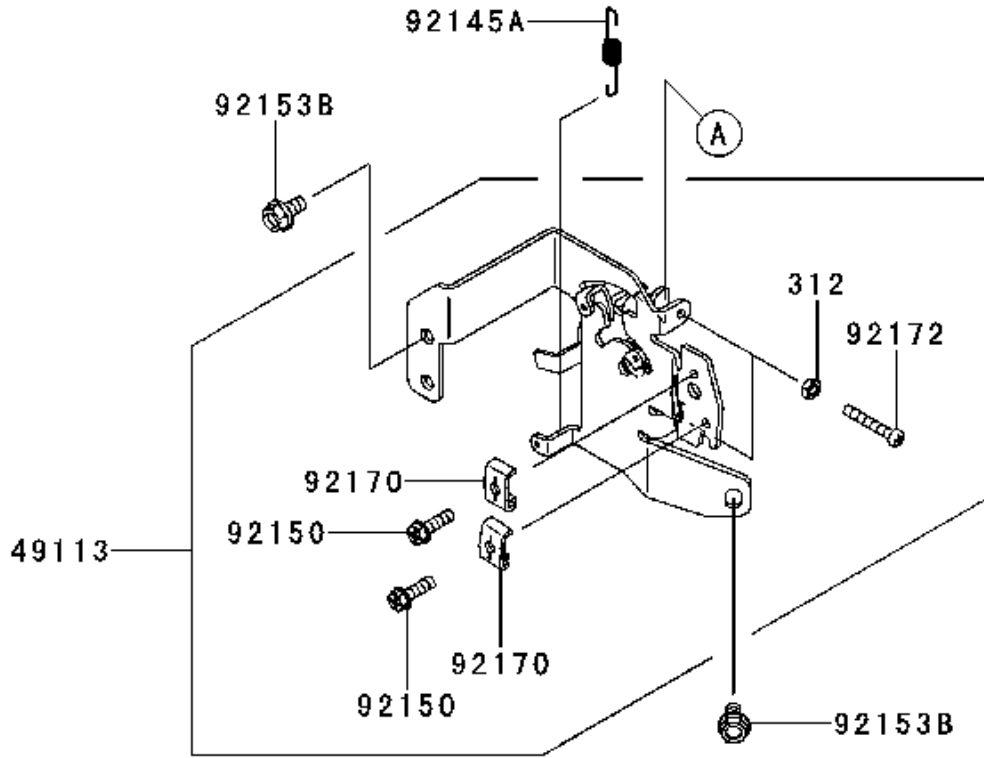


## CARBURETOR

KAWASAKI ENGINES, FR691V-AS29, 2017-09

| Ref                | Part No      | Description   | Remark                    | QTY KIT |
|--------------------|--------------|---------------|---------------------------|---------|
| 11061              | 110 61 70-09 | GASKET        | GASKET,CHAMBER            | 1       |
| 11061A             | 110 61 70-10 | GASKET        | GASKET                    | 1       |
| 11061B             | 586 62 36-01 | GASKET        | GASKET,INSULATOR          | 1       |
| 11061C             | 586 62 37-01 | GASKET        | GASKET,INSULATOR/MA<br>NI | 1       |
| 11061D             | 586 51 91-01 | GASKET        | GASKET,MANIFOLD           | 2       |
| 130                | 577 56 26-01 | BOLT          | BOLT-FLANGED,6X30         | 4       |
| 13107              | 131 07 70-18 | PEN           | SHAFT                     | 1       |
| 15004              | 591 45 74-34 | CARBURETTOR   | CARBURETOR-ASSY           | 1       |
| 16020              | 160 20 70-03 | CHAMBER-FLOAT | CHAMBER-FLOAT             | 1       |
| 16025              | 586 74 59-01 | VALVE         | VALVE-THROTTLE            | 1       |
| 16030              | 160 30 70-03 | VALVE-NEEDLE  | VALVE-FLOAT               | 1       |
| 16031              | 160 31 70-02 | FLOAT         | FLOAT                     | 1       |
| 16041              | 586 74 61-01 | SHAFT         | SHAFT-CARBURETOR          | 1       |
| 16041A             | 591 45 75-91 | SHAFT         | SHAFT-<br>CARBURETOR,THRO | 1       |
| 16073              | 586 62 88-01 | INSULATOR     | INSULATOR                 | 1       |
| 16186              | 586 62 89-01 | VALVE         | VALVE-ASSY-CHOKE          | 1       |
| 172                | 586 52 02-01 | BOLT          | BOLT-STUD                 | 2       |
| 21188              | 211 88 70-02 | SOLENOID      | SOLENOID                  | 1       |
| 39074              | 591 45 75-19 | LEVER         | LEVER-ASSY-THROTTLE       | 1       |
| 49121              | 586 62 91-01 | NOZZLE        | NOZZLE-MAIN               | 1       |
| 59076              | 591 45 75-27 | MANIFOLD      | MANIFOLD-INTAKE           | 1       |
| 92009              | 920 09 20-83 | SCREW         | SCREW                     | 2       |
| 92009A             | 586 62 94-01 | SCREW         | SCREW                     | 1       |
| 92009B             | 591 45 75-78 | SCREW         | SCREW                     | 1       |
| 92063 (Option)     | 586 62 96-01 | JET           | JET-MAIN,#122             | 1       |
| 92063A             | 586 62 97-01 | JET           | JET-MAIN,#124             | 1       |
| 92063B<br>(Option) | 591 45 75-08 | JET           | JET-MAIN,#120             | 1       |
| 92066              | 591 45 75-55 | PLUG          | PLUG                      | 1       |
| 92066A             | 591 45 75-56 | PLUG          | PLUG                      | 1       |
| 92093              | 586 63 00-01 | SEAL          | SEAL                      | 2       |
| 92145              | 591 45 76-09 | SPRING        | SPRING                    | 1       |
| 92200              | 586 63 03-01 | WASHER        | WASHER                    | 2       |
| Not shown          | 591 45 74-73 | GASKET KIT    | CARB GASKET KIT           | 1       |

E0170-A753B

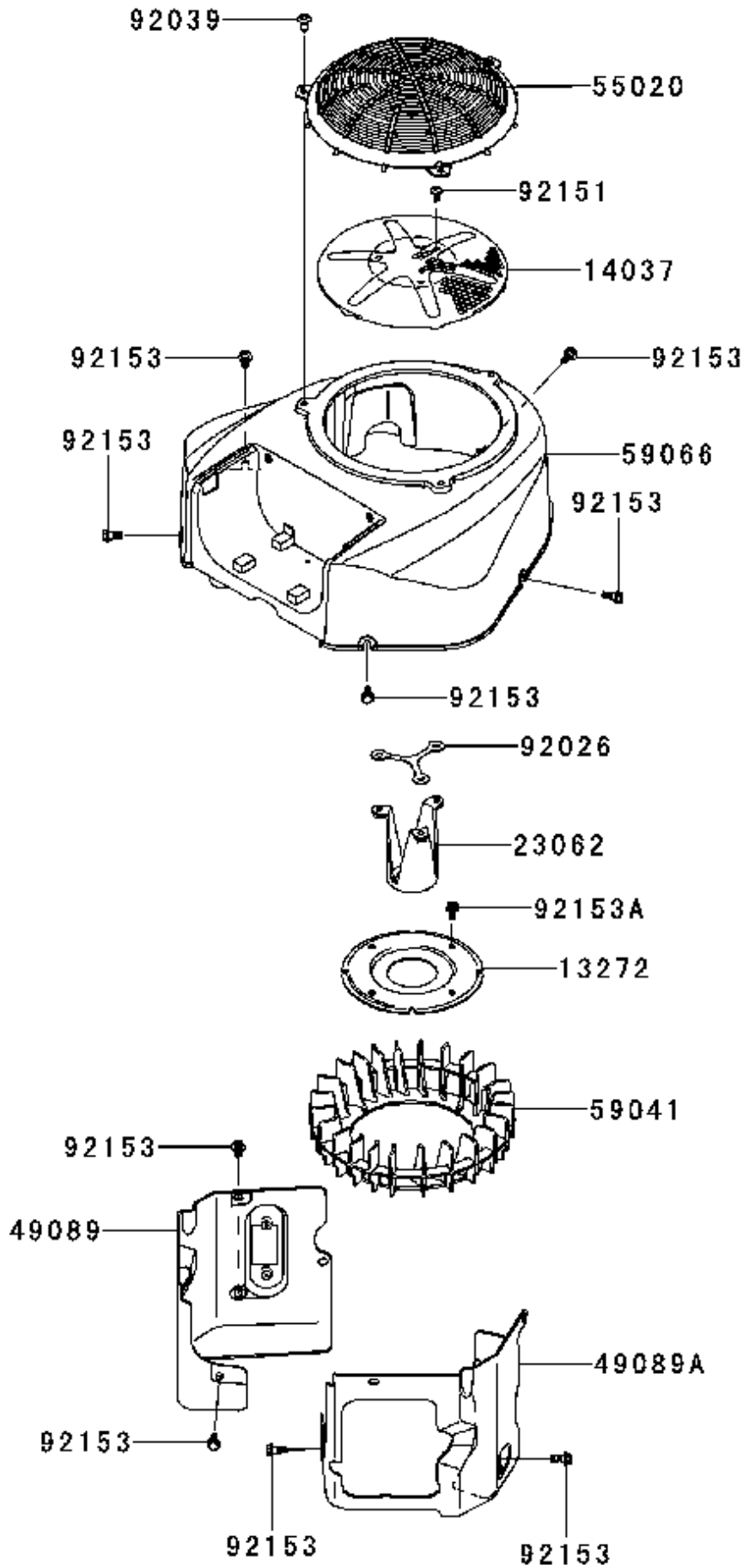


## CONTROLS

KAWASAKI ENGINES, FR691V-AS29, 2017-09

| Ref    | Part No      | Description | Remark                    | QTY KIT |
|--------|--------------|-------------|---------------------------|---------|
| 13107  | 577 74 12-01 | SHAFT       | SHAFT                     | 1       |
| 13271  | 577 57 12-01 | PLATE       | PLATE                     | 1       |
| 16171  | 586 62 33-01 | LINK        | LINK                      | 1       |
| 311    | 577 57 62-01 | NUT         | NUT-HEX,6MM               | 1       |
| 312    | 577 57 63-01 | NUT         | NUT-HEX                   | 2       |
| 39129  | 586 62 34-01 | SPRING      | SPRING-GOVERNOR           | 1       |
| 411    | 577 57 64-01 | WASHER      | WASHER-<br>PLAIN,6.5X13X1 | 1       |
| 49103  | 586 52 24-01 | ARM         | ARM-GOVERNOR              | 1       |
| 49103A | 592 73 97-37 | ARM         | ARM-GOVERNOR              | 1       |
| 49113  | 586 62 35-01 | PANEL       | PANEL-COMP-CONTROL        | 1       |
| 92145  | 586 52 27-01 | SPRING      | SPRING                    | 1       |
| 92145A | 586 52 28-01 | SPRING      | SPRING                    | 1       |
| 92150  | 921 50 21-82 | BOLT        | BOLT                      | 2       |
| 92153  | 577 68 25-01 | BOLT        | BOLT,FLANGED,6X12         | 1       |
| 92153A | 577 68 26-01 | BOLT        | BOLT,6X35                 | 1       |
| 92153B | 577 58 20-01 | BOLT        | BOLT,6X12                 | 2       |
| 92170  | 921 70 70-01 | CLAMP       | CLAMP                     | 2       |
| 92172  | 586 59 34-01 | SCREW       | SCREW                     | 2       |
| 92172A | 591 45 75-79 | SCREW       | SCREW,4X8                 | 2       |

E0150-B215A



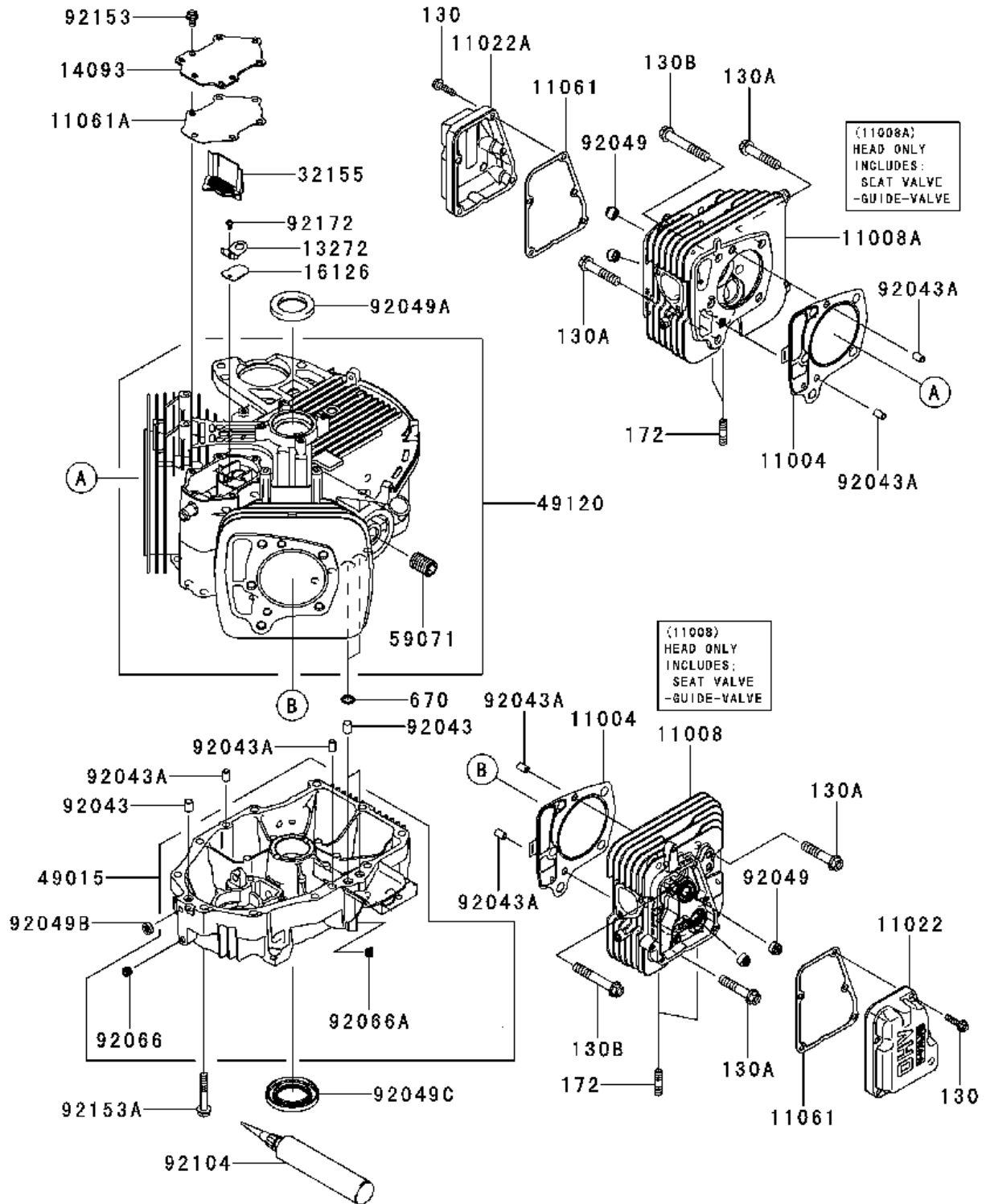


## COOLING SYSTEM

KAWASAKI ENGINES, FR691V-AS29, 2017-09

| Ref    | Part No      | Description | Remark               | QTY KIT |
|--------|--------------|-------------|----------------------|---------|
| 13272  | 591 45 75-52 | PLATE       | PLATE                | 1       |
| 14037  | 586 59 35-01 | SCREEN      | SCREEN               | 1       |
| 23062  | 586 62 23-01 | BRACKET     | BRACKET-COMP         | 1       |
| 49089  | 586 62 24-01 | SHROUD      | SHROUD-ENGINE        | 1       |
| 49089A | 586 62 25-01 | SHROUD      | SHROUD-ENGINE        | 1       |
| 55020  | 586 62 26-01 | GUARD       | GUARD                | 1       |
| 59041  | 586 52 34-01 | FAN         | FAN                  | 1       |
| 59066  | 586 62 27-01 | HOUSING     | HOUSING-FAN          | 1       |
| 92026  | 586 62 28-01 | SPACER      | SPACER               |         |
| 92039  | 591 45 75-69 | RIVET       | RIVET, GUARD         | 3       |
| 92151  | 577 68 36-01 | BOLT        | BOLT, 6X12           | 3       |
| 92153  | 921 53 70-07 | BOLT        | BOLT, RECOIL STARTER | 9       |
| 92153A | 577 58 20-01 | BOLT        | BOLT, 6X12           | 4       |

E0110-A974A



## CYLINDER &amp; CRANKCASE

KAWASAKI ENGINES, FR691V-AS29, 2017-09

| Ref    | Part No      | Description | Remark                | QTY KIT |
|--------|--------------|-------------|-----------------------|---------|
| 11004  | 586 54 91-01 | GASKET      | GASKET-HEAD           | 2       |
| 11008  | 591 45 74-92 | HEAD        | HEAD-COMP-CYLINDER,#2 | 1       |
| 11008A | 586 54 92-02 | CYLINDER    | HEAD-COMP-CYLINDER,#1 | 1       |
| 11022  | 592 73 97-05 | CASE        | CASE-ROCKER,#2CYL     | 1       |
| 11022A | 592 73 97-04 | CASE        | CASE-ROCKER,#1CYL     | 1       |
| 11061  | 586 52 36-01 | GASKET      | GASKET,CASE-ROCKER    | 2       |
| 11061A | 586 52 39-01 | GASKET      | GASKET,BREATHER       | 1       |
| 130    | 591 45 74-17 | BOLT        | BOLT-FLANGED,6X25     | 10      |
| 130A   | 577 69 24-01 | BOLT        | BOLT-FLANGED,10X50    | 4       |
| 130B   | 577 56 28-01 | BOLT        | BOLT-FLANGED          | 6       |
| 13272  | 586 59 38-01 | PLATE       | PLATE                 | 1       |
| 14093  | 591 45 74-51 | COVER       | COVER,BREATHER        | 1       |
| 16126  | 577 69 28-01 | VALVE       | VALVE,BREATHER        | 1       |
| 172    | 591 45 74-22 | BOLT        | BOLT-STUD,8X22        | 4       |
| 32155  | 592 73 97-27 | PIPE        | PIPE,BREATHER         | 1       |
| 49015  | 591 45 74-54 | COVER       | COVER-CRANKCASE       | 1       |
| 49120  | 591 45 74-57 | CRANKCASE   | CRANKCASE-COMP        | 1       |
| 59071  | 591 45 75-10 | JOINT       | JOINT                 | 1       |
| 670    | 577 69 33-01 | O-RING      | O RING                | 2       |
| 92043  | 591 45 75-38 | PIN         | PIN                   | 3       |
| 92043A | 586 52 44-01 | PEN         | PIN,DOWEL,6.2X8X14    | 6       |
| 92049  | 920 49 70-01 | SEAL-OIL    | SEAL-OIL              | 4       |
| 92049A | 920 49 70-10 | SEAL-OIL    | SEAL-OIL,SD 35X48X8 R | 1       |
| 92049B | 586 44 16-01 | SEAL        | SEAL-OIL,SO 8X14X5 HS | 1       |
| 92049C | 586 52 45-01 | SEAL        | SEAL-OIL,38X62X8MTCLV | 1       |
| 92066  | 591 45 75-53 | PLUG        | PLUG                  | 1       |
| 92066A | 586 62 16-01 | PLUG        | PLUG                  | 1       |
| 92104  | 586 59 40-01 | GASKET      | GASKET-LIQUID,TB1217H |         |
| 92153  | 577 58 20-01 | BOLT        | BOLT,6X12             | 6       |
| 92153A | 586 52 47-01 | BOLT        | BOLT,8X50             | 10      |
| 92172  | 591 45 75-79 | SCREW       | SCREW,4X8             | 1       |

F0290-C082A

56071



56080

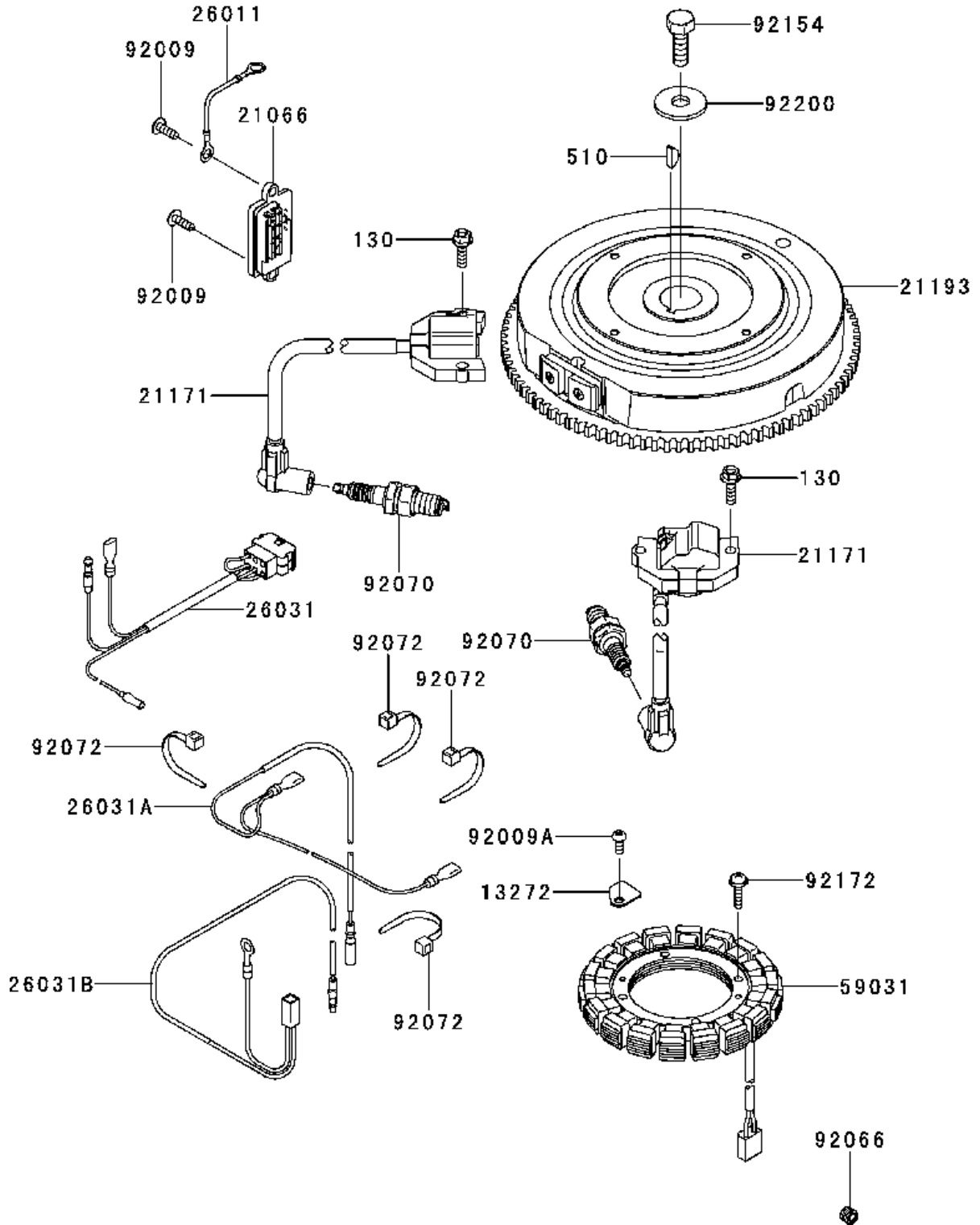


## DECALS

KAWASAKI ENGINES, FR691V-AS29, 2017-09

| Ref   | Part No      | Description | Remark        | QTY KIT |
|-------|--------------|-------------|---------------|---------|
| 56071 | 591 45 75-18 | LABEL       | LABEL-WARNING | 1       |
| 56080 | 591 45 75-12 | LABEL       | LABEL-BRAND   | 1       |

E0160-B842A

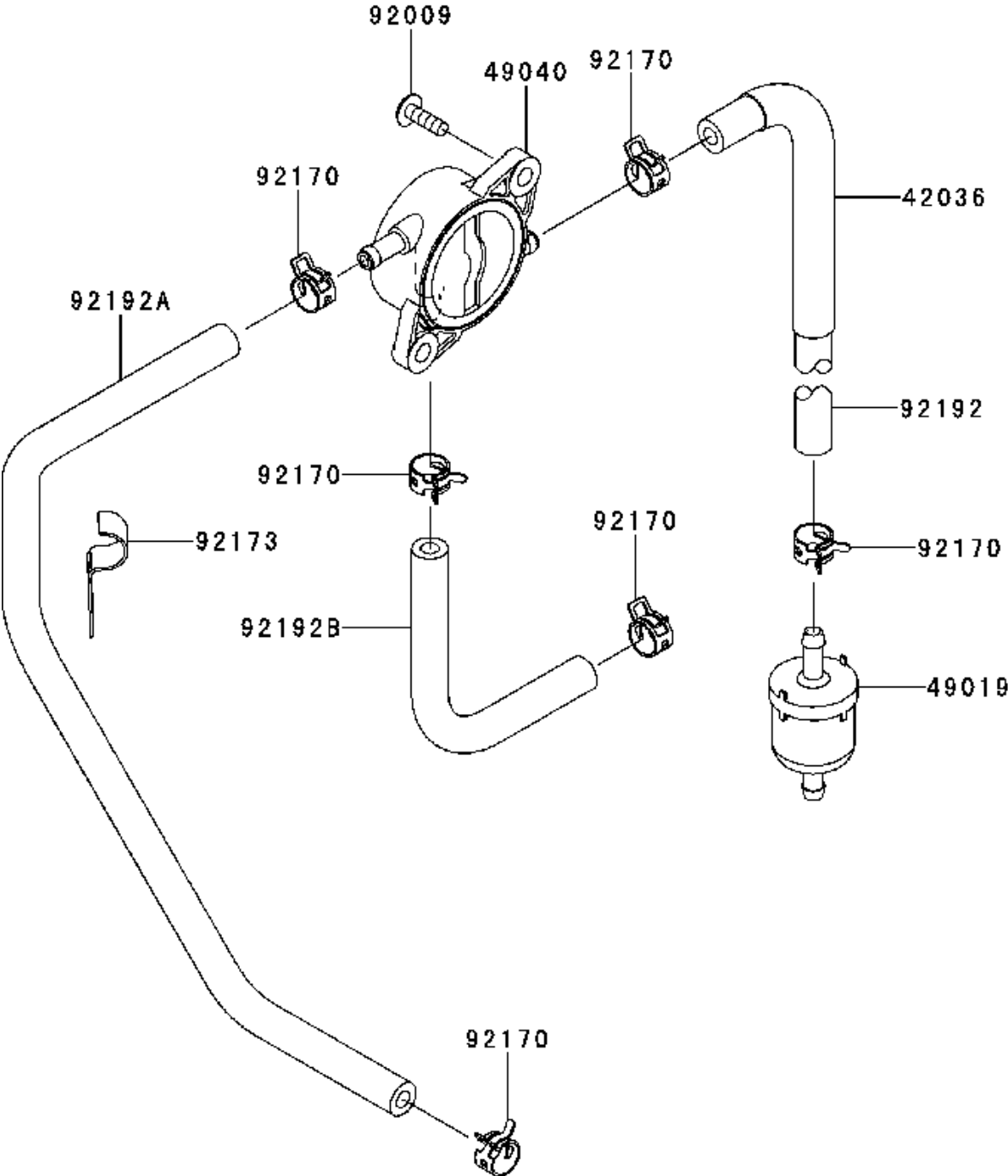


## ELECTRICAL

KAWASAKI ENGINES, FR691V-AS29, 2017-09

| Ref    | Part No      | Description  | Remark                     | QTY KIT |
|--------|--------------|--------------|----------------------------|---------|
| 130    | 577 58 28-01 | BOLT         | BOLT-FLANGED,6X20          | 4       |
| 13272  | 586 52 48-01 | PLATE        | PLATE                      | 1       |
| 21066  | 586 59 41-01 | REGULATOR    | REGULATOR-VOLTAGE          | 1       |
| 21171  | 591 45 74-45 | COIL         | COIL-ASSY-IGNITION         | 2       |
| 21193  | 591 45 74-67 | FLYWHEEL     | FLYWHEEL-ASSY              | 1       |
| 26011  | 586 62 32-01 | WIRE         | WIRE-LEAD,L=95             | 1       |
| 26031  | 591 45 74-87 | HARNESS      | HARNESS                    | 1       |
| 26031A | 586 52 52-01 | HARNESS      | HARNESS                    | 1       |
| 26031B | 586 52 53-01 | HARNESS      | HARNESS                    | 1       |
| 510    | 502 81 16-01 | WOODRUFF KEY | WOODRUFF KEY               | 1       |
| 59031  | 577 57 02-01 | COIL         | COIL-CHARGING 15AMP        | 1       |
| 92009  | 586 52 54-01 | SCREW        | SCREW                      | 2       |
| 92009A | 920 09 23-08 | SCREW        | SCREW                      | 1       |
| 92066  | 586 62 16-01 | PLUG         | PLUG                       | 1       |
| 92070  | 578 18 15-01 | SPARK PLUG   | PLUG-<br>SPARK,BPR4ES(NGK) | 2       |
| 92072  | 577 57 04-01 | BAND         | BAND                       | 4       |
| 92154  | 577 57 05-01 | BOLT         | BOLT,12X30                 | 1       |
| 92172  | 577 57 06-01 | SCREW        | SCREW,5X20                 | 4       |
| 92200  | 922 00 70-02 | WASHER       | WASHER                     | 1       |

E0200-A880D



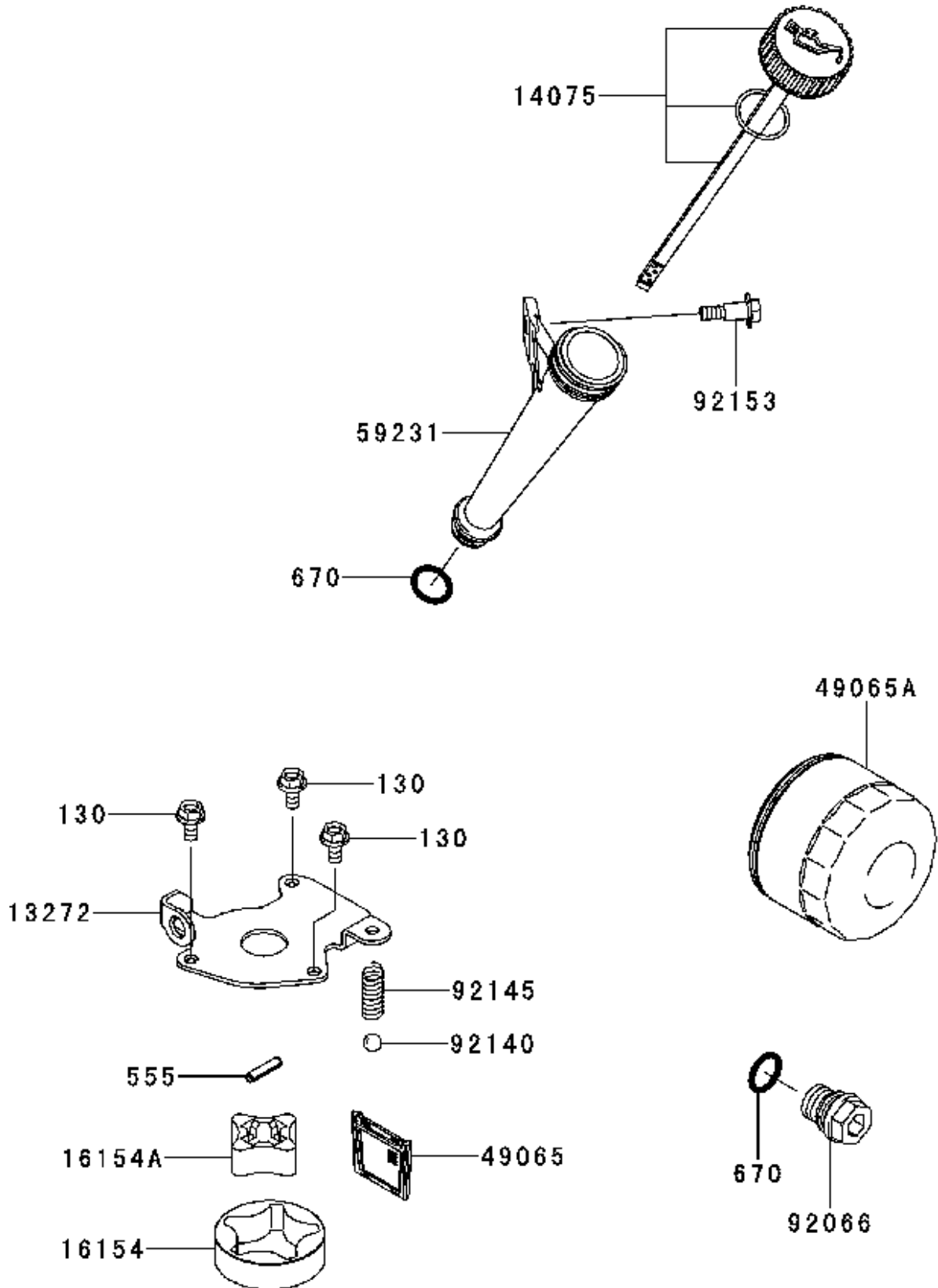


## FUEL VALVE

KAWASAKI ENGINES, FR691V-AS29, 2017-09

| Ref    | Part No      | Description | Remark             | QTY KIT |
|--------|--------------|-------------|--------------------|---------|
| 42036  | 586 52 56-01 | SLEEVE      | SLEEVE             | 1       |
| 49019  | 582 54 12-01 | FUEL FILTER | FILTER-FUEL        | 1       |
| 49040  | 586 52 57-01 | PUMP        | PUMP-FUEL          | 1       |
| 92009  | 586 52 54-01 | SCREW       | SCREW              | 2       |
| 92170  | 577 58 21-01 | CLAMP       | CLAMP              | 6       |
| 92173  | 586 63 11-01 | CLAMP       | CLAMP              | 1       |
| 92192  | 591 45 76-20 | TUBE        | TUBE,6.35X12.7X185 | 1       |
| 92192A | 591 45 76-22 | TUBE        | TUBE,6.35X12.7X390 | 1       |
| 92192B | 586 52 60-01 | TUBE        | TUBE,6.4X12.7X150  | 1       |

E0140-A506P

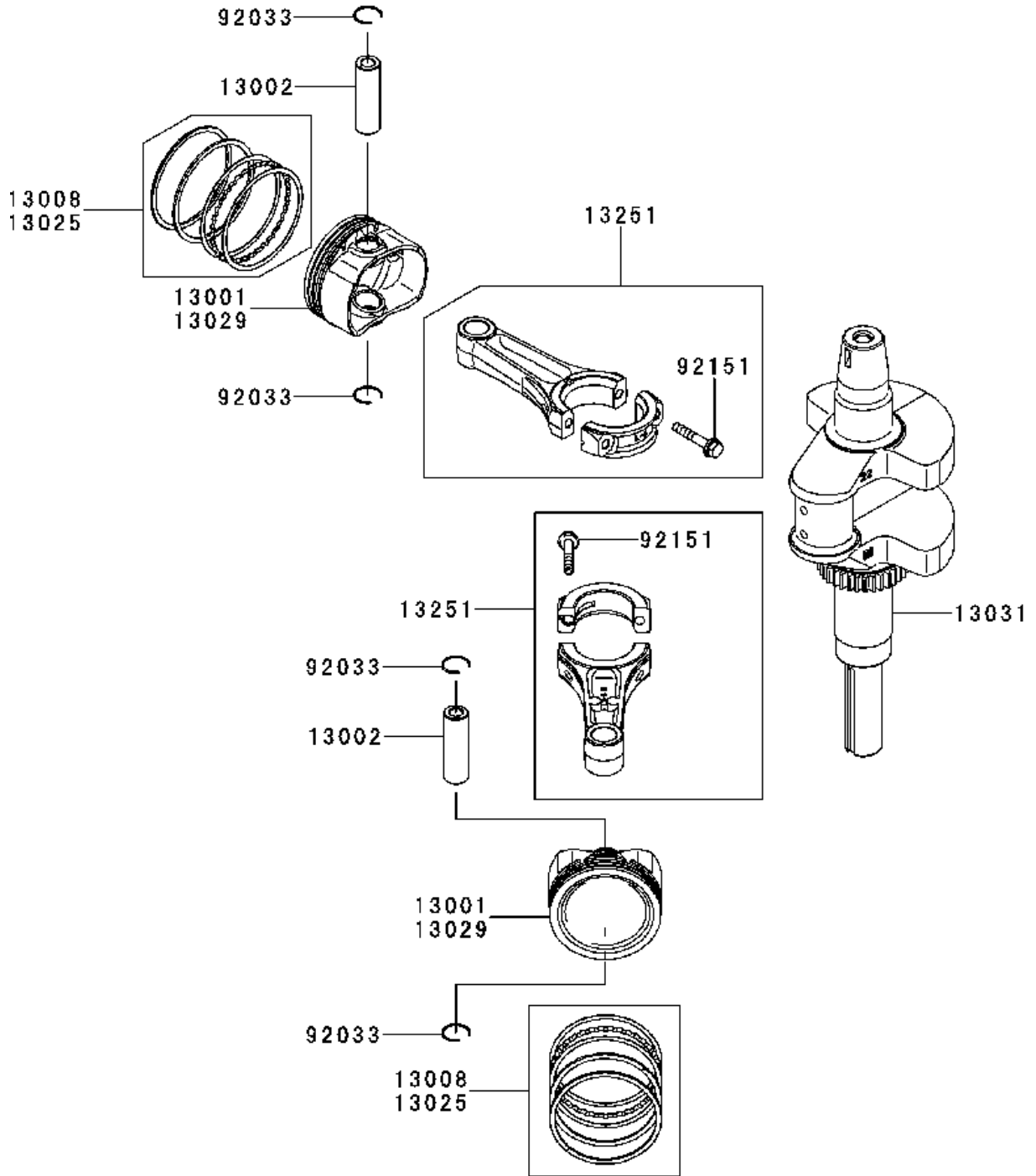


## LUBRICATION

KAWASAKI ENGINES, FR691V-AS29, 2017-09

| Ref    | Part No      | Description | Remark            | QTY KIT |
|--------|--------------|-------------|-------------------|---------|
| 130    | 591 45 74-14 | BOLT        | BOLT-FLANGED,6X12 | 3       |
| 13272  | 586 52 63-01 | PLATE       | PLATE,ROTOR       | 1       |
| 14075  | 591 45 74-29 | CAP         | CAP-ASSY          | 1       |
| 16154  | 586 52 65-01 | ROTOR       | ROTOR-PUMP,OUTER  | 1       |
| 16154A | 586 52 66-01 | ROTOR       | ROTOR-PUMP,INNER  | 1       |
| 49065  | 585 43 20-01 | OIL SCREEN  | FILTER-OIL        | 1       |
| 49065A | 578 15 92-01 | OIL FILTER  | FILTER-OIL        | 1       |
| 555    | 586 59 45-01 | PEN         | PIN-SPRING,4X20   | 1       |
| 59231  | 586 55 07-01 | TUBE        | FILLER            | 1       |
| 670    | 502 82 90-01 | O-RING      | O RING            | 2       |
| 92066  | 591 45 75-54 | PLUG        | PLUG              | 1       |
| 92140  | 921 40 70-03 | BALL        | BALL              | 1       |
| 92145  | 591 45 76-12 | SPRING      | SPRING            | 1       |
| 92153  | 921 53 70-08 | BOLT        | BOLT              | 1       |

E0120-A541A

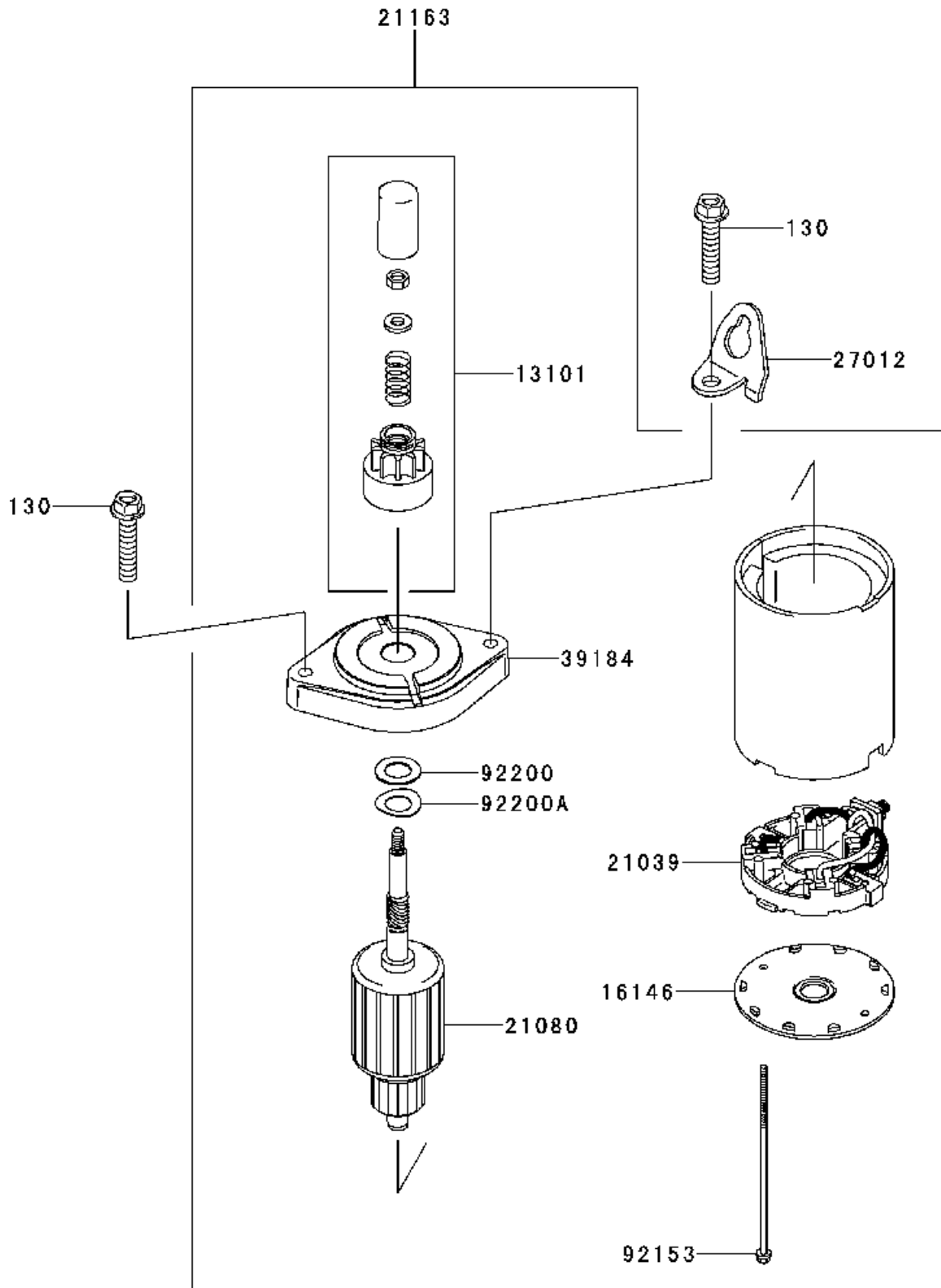


## PISTON &amp; CRANKSHAFT

KAWASAKI ENGINES, FR691V-AS29, 2017-09

| Ref   | Part No      | Description | Remark                | QTY KIT |
|-------|--------------|-------------|-----------------------|---------|
| 13001 | 586 52 71-01 | PISTON      | PISTON-ENGINE         | 2       |
| 13002 | 586 52 72-01 | PEN         | PIN-PISTON            | 2       |
| 13008 | 586 52 73-01 | RING        | RING-SET-PISTON       | 2       |
| 13025 | 586 52 74-01 | RING        | RING-SET-PISTON L,0.5 |         |
| 13029 | 586 52 75-01 | PISTON      | PISTON-ENGINE L,0.5   |         |
| 13031 | 591 45 74-60 | CRANKSHAFT  | CRANKSHAFT-COMP       | 1       |
| 13251 | 591 45 75-72 | ROD         | ROD-ASSY-CONNECTING   | 2       |
| 92033 | 586 52 77-02 | RING        | RING-SNAP             | 4       |
| 92151 | 586 52 78-01 | BOLT        | BOLT,6X35             | 4       |

E0210-A726A

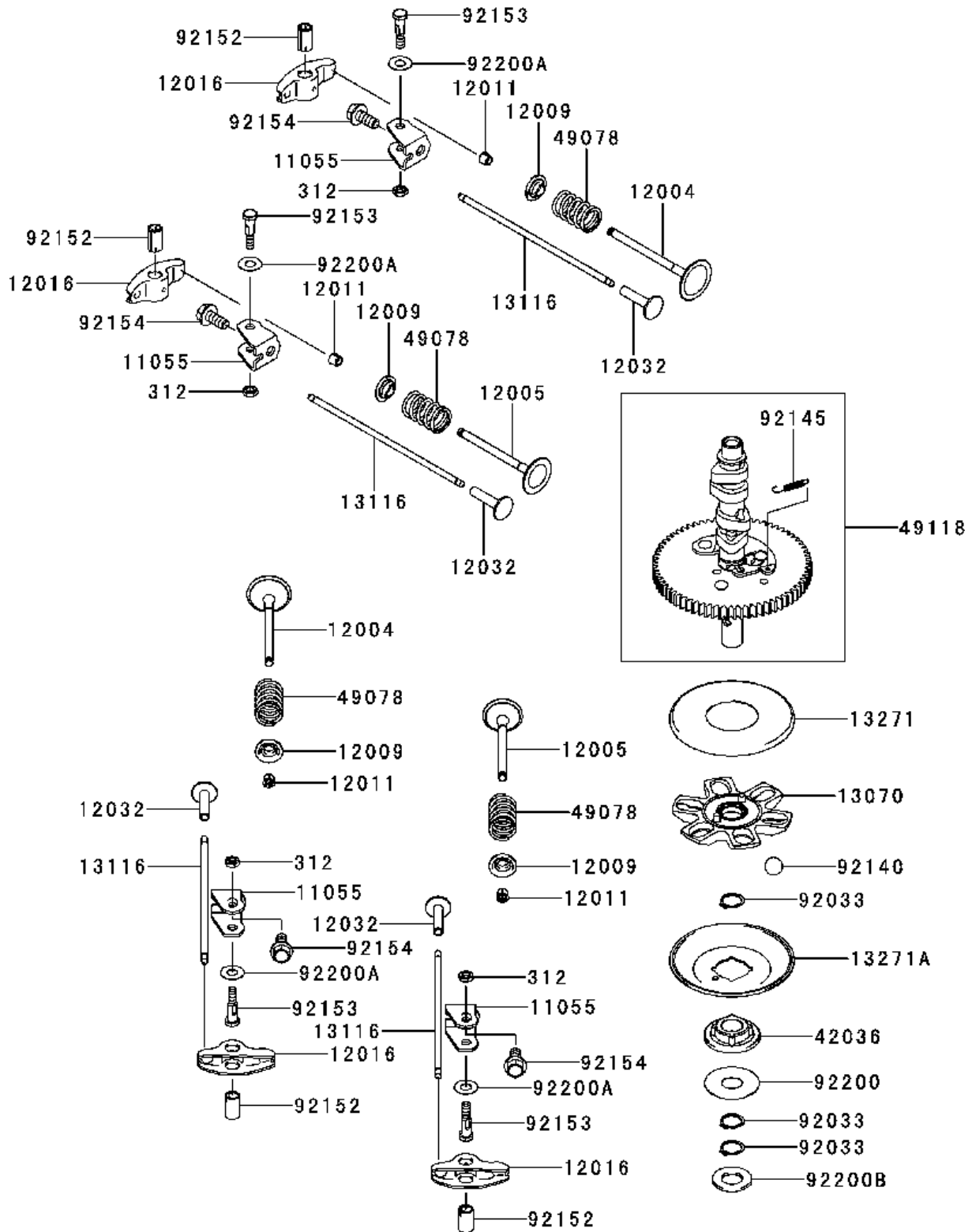


## STARTER

KAWASAKI ENGINES, FR691V-AS29, 2017-09

| Ref    | Part No      | Description | Remark            | QTY KIT |
|--------|--------------|-------------|-------------------|---------|
| 130    | 586 60 30-01 | BOLT        | BOLT-FLANGED,8X40 | 2       |
| 13101  | 591 45 74-84 | GEAR        | GEAR-ASSY         | 1       |
| 16146  | 586 63 13-01 | COVER       | COVER-ASSY        | 1       |
| 21039  | 210 39 70-02 | BRUSH       | BRUSH             | 1       |
| 21080  | 591 45 74-03 | ARMATURE    | ARMATURE          | 1       |
| 21163  | 588 07 33-01 | STARTER     | STARTER-ELECTRIC  | 1       |
| 27012  | 577 56 12-01 | HOOK        | HOOK              | 1       |
| 39184  | 591 45 74-23 | BRACKET     | BRACKET-ASSY      | 1       |
| 92153  | 586 63 16-01 | BOLT        | BOLT              | 2       |
| 92200  | 586 63 17-01 | WASHER      | WASHER            | 1       |
| 92200A | 586 63 18-01 | WASHER      | WASHER            | 1       |

E0130-A248A





## VALVE &amp; CAMSHAFT

KAWASAKI ENGINES, FR691V-AS29, 2017-09

| Ref    | Part No      | Description | Remark                   | QTY KIT |
|--------|--------------|-------------|--------------------------|---------|
| 11055  | 577 69 72-01 | BRACKET     | BRACKET                  | 4       |
| 12004  | 591 45 76-29 | VALVE       | VALVE-INTAKE             | 2       |
| 12005  | 591 45 76-28 | VALVE       | VALVE-EXHAUST            | 2       |
| 12009  | 120 09 70-01 | RETAINER    | RETAINER-VALVE<br>SPRING | 4       |
| 12011  | 120 11 20-56 | COLLET      | COLLET                   | 8       |
| 12016  | 591 45 74-05 | ARM         | ARM-ROCKER               | 4       |
| 12032  | 120 32 70-01 | TAPPET      | TAPPET                   | 4       |
| 13070  | 586 52 83-01 | GUIDE       | GUIDE,GOVERNOR           | 1       |
| 13116  | 591 45 75-76 | ROD         | ROD-PUSH                 | 4       |
| 13271  | 132 71 70-07 | PLATE       | PLATE                    | 1       |
| 13271A | 132 71 70-21 | PLATE       | PLATE                    | 1       |
| 312    | 577 69 81-01 | NUT         | NUT-HEX                  | 4       |
| 42036  | 577 56 61-01 | SLEEVE      | SLEEVE                   | 1       |
| 49078  | 490 78 70-02 | SPRING      | SPRING-ENGINE VALVE      | 4       |
| 49118  | 586 52 86-01 | CAMSHAFT    | CAMSHAFT-COMP            | 1       |
| 92033  | 586 62 17-01 | RING        | RING-SNAP                | 3       |
| 92140  | 577 56 68-01 | BALL        | BALL                     | 6       |
| 92145  | 591 45 76-11 | SPRING      | SPRING                   | 1       |
| 92152  | 586 55 13-01 | COLLAR      | COLLAR                   | 4       |
| 92153  | 577 69 87-01 | BOLT        | BOLT,6X29.5              | 4       |
| 92154  | 591 45 74-13 | BOLT        | BOLT                     | 4       |
| 92200  | 586 55 15-01 | WASHER      | WASHER,16X42X0.91        | 1       |
| 92200A | 577 69 88-01 | WASHER      | WASHER,8.1X18X0.5        | 4       |
| 92200B | 586 52 87-01 | WASHER      | WASHER,16.3X30X2.28      | 1       |