

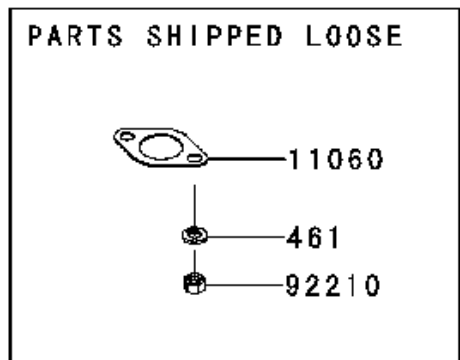
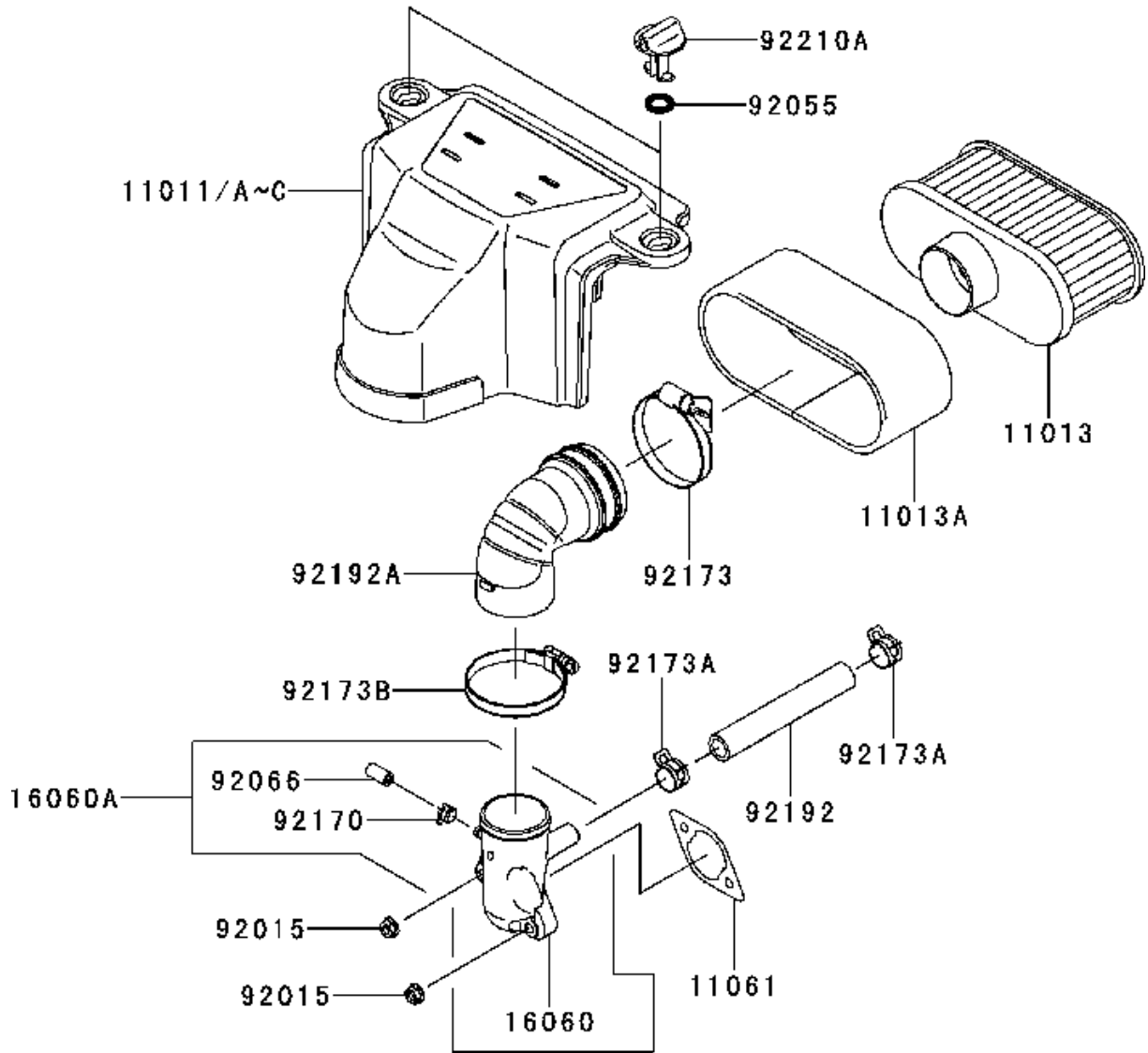


SPARE PARTS LIST

ENGINES & TRANSMISSIONS

KAWASAKI ENGINES, FS481V-AS55,
2017-09

E0190-B586A

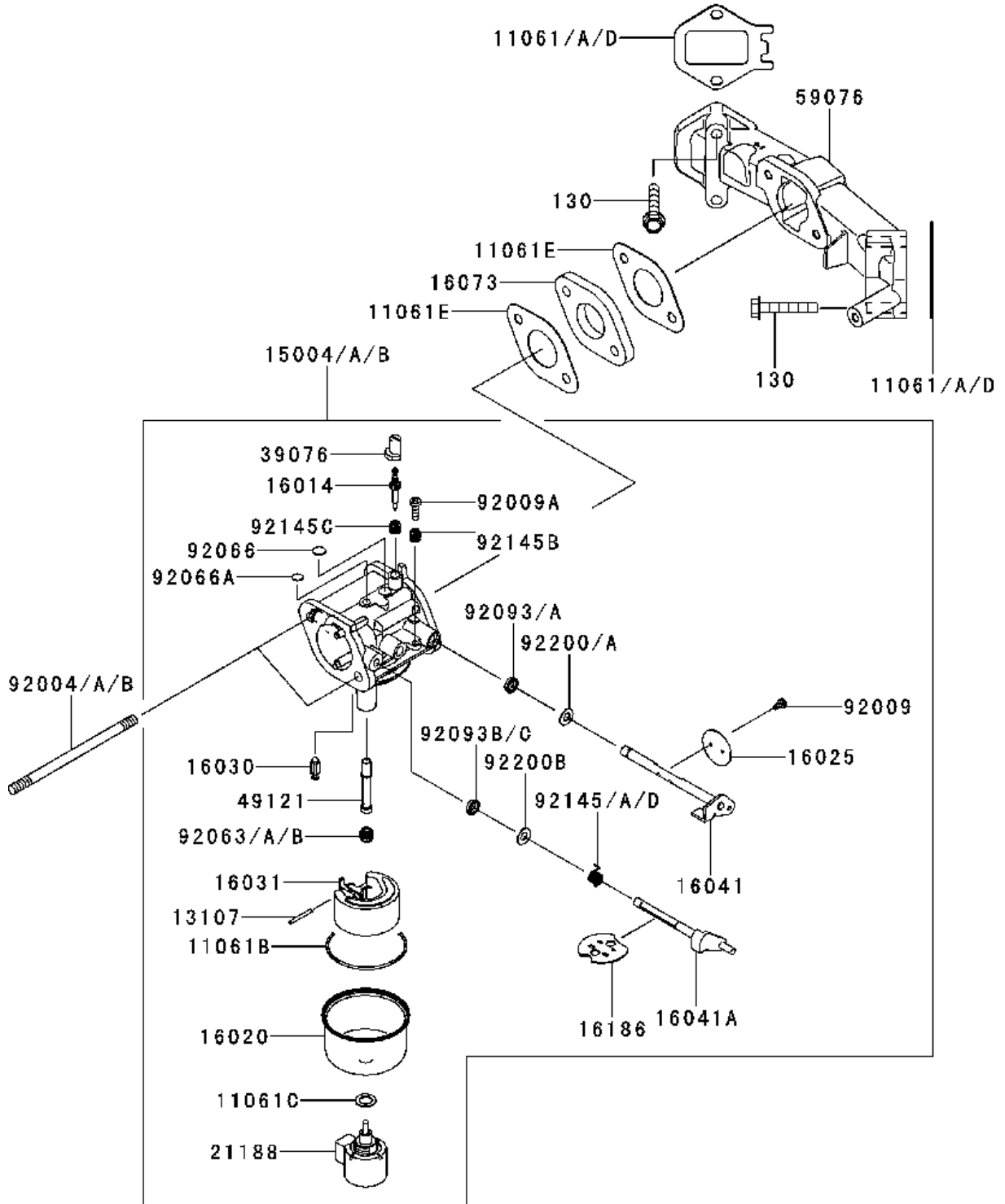


AIR FILTER & MUFFLER

KAWASAKI ENGINES, FS481V-AS55, 2017-09

Ref	Part No	Description	Remark	QTY KIT
11011B	591 45 74-36	CASE	CASE-AIR FILTER	1
11013	585 45 50-02	AIR FILTER	ELEMENT-AIR FILTER	1
11013A	586 62 95-01	AIR FILTER	ELEMENT-PRE FILTER	1
11060	110 60 70-16	GASKET	GASKET	2
11061	591 45 74-79	GASKET	GASKET,AIR CLEANER	1
16060	591 45 75-43	PIPE	PIPE-INTAKE	1
16060A	591 45 75-44	PIPE	PIPE-INTAKE	1
461	577 58 17-01	WASHER	WASHER-SPRING,8MM	4
92015	577 58 08-01	NUT	NUT,FLANGED,6MM	2
92055	591 45 75-59	RING	RING-O	2
92066	586 51 88-01	PLUG	PLUG	1
92170	586 51 89-01	CLAMP	CLAMP	1
92173	586 63 08-01	CLAMP	CLAMP	1
92173A	577 58 10-01	CLAMP	CLAMP	2
92173B	591 45 74-44	CLAMP	CLAMP	1
92192	586 51 90-01	TUBE	TUBE,12.6X18.6X118	1
92192A	591 45 76-23	TUBE	TUBE,A/C	1
92210	577 58 14-01	NUT	NUT,M8	4
92210A	591 45 75-33	NUT	NUT	2

E0180-B074A

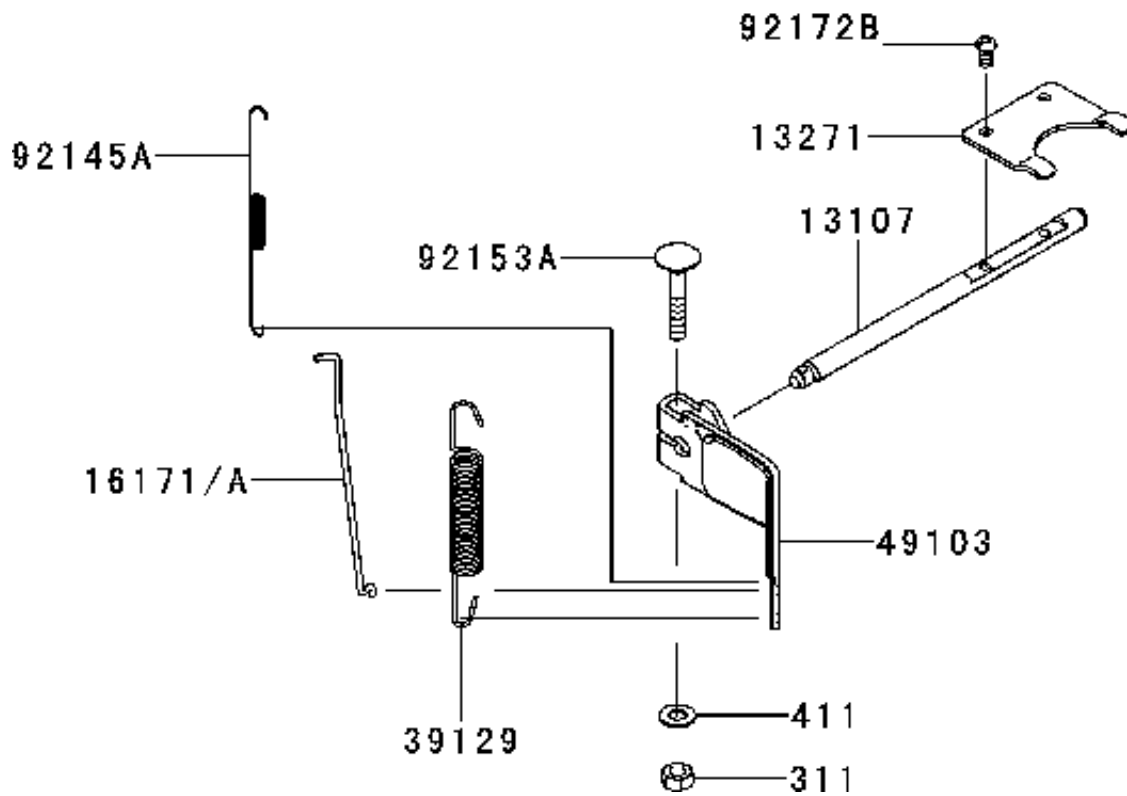
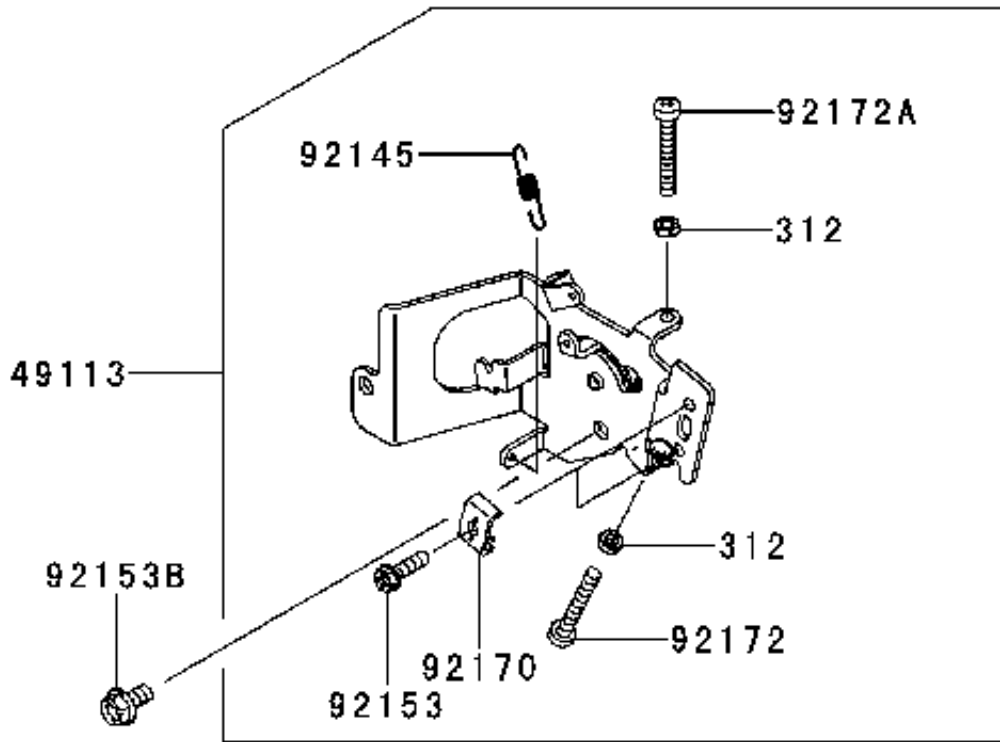


CARBURETOR

KAWASAKI ENGINES, FS481V-AS55, 2017-09

Ref	Part No	Description	Remark	QTY KIT
11061A	591 45 74-82	GASKET	GASKET,MANIFOLD	2
11061B	110 61 70-09	GASKET	GASKET,CHAMBER	1
11061C	110 61 70-10	GASKET	GASKET	1
11061E	591 45 74-81	GASKET	GASKET,INSULATOR	2
130	577 57 94-01	BOLT	BOLT-FLANGED	4
13107	131 07 70-18	PEN	SHAFT	1
15004A	591 45 74-30	CARBURETTOR	CARBURETOR-ASSY	1
16014	591 45 75-81	SCREW	SCREW-PILOT AIR	1
16020	160 20 70-03	CHAMBER-FLOAT	CHAMBER-FLOAT	1
16025	160 25 70-06	THROTTLE VALVE	VALVE-THROTTLE	1
16030	160 30 70-03	VALVE-NEEDLE	VALVE-FLOAT	1
16031	160 31 70-02	FLOAT	FLOAT	1
16041	160 41 70-18	THROTTLE SHAFT	SHAFT-CARBURETOR,THRO	1
16041A	591 45 75-88	SHAFT	SHAFT-CARBURETOR	1
16073	160 73 70-07	INSULATOR	INSULATOR	1
16186	591 45 76-26	VALVE	VALVE-ASSY-CHOKE	1
21188	211 88 70-02	SOLENOID	SOLENOID	1
39076	591 45 75-20	SOCKET	LIMITER	1
49121	591 45 75-31	NOZZLE	NOZZLE-MAIN	1
59076	591 45 75-28	MANIFOLD	MANIFOLD-INTAKE	1
92004A	591 45 76-17	STUD	STUD	2
92009	920 09 20-83	SCREW	SCREW	2
92009A	586 62 94-01	SCREW	SCREW	1
92063	591 45 75-05	JET	JET-MAIN,#100	
92063A	591 45 75-04	JET	JET-MAIN,#098	
92063B	591 45 75-06	JET	JET-MAIN,#102	1
92066	591 45 75-55	PLUG	PLUG	1
92066A	591 45 75-56	PLUG	PLUG	1
92093A	586 63 00-01	SEAL	SEAL	1
92093C	591 45 75-82	SEAL	SEAL	1
92145A	591 45 76-08	SPRING	SPRING	1
92145B	591 45 76-09	SPRING	SPRING	1
92145C	921 45 70-15	SPRING	SPRING	1
92200A	586 63 03-01	WASHER	WASHER	1
92200B	591 45 76-34	WASHER	WASHER,9.8X5.5X1.0	1

E0170--A826A

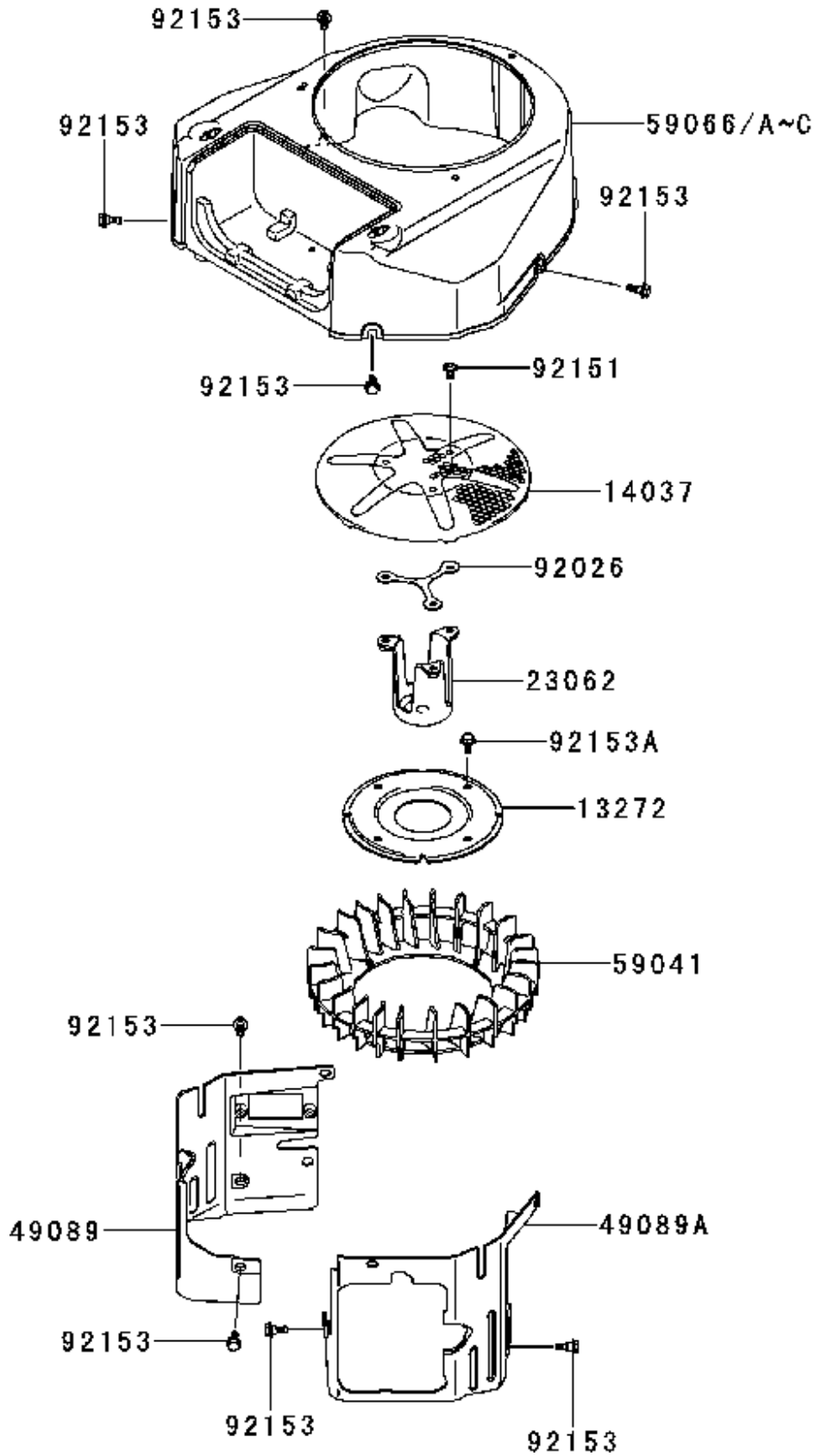


CONTROLS

KAWASAKI ENGINES, FS481V-AS55, 2017-09

Ref	Part No	Description	Remark	QTY KIT
13107	591 45 75-85	SHAFT	SHAFT	1
13271	577 57 12-01	PLATE	PLATE	1
16171	591 45 75-23	LINK	LINK	1
311	591 45 75-35	NUT	NUT-HEX	1
312	577 57 63-01	NUT	NUT-HEX	2
39129	591 45 76-15	SPRING	SPRING-GOVERNOR	1
411	577 57 64-01	WASHER	WASHER- PLAIN,6.5X13X1	1
49103	591 45 74-04	ARM	ARM-GOVERNOR	1
49113	592 73 97-38	PANEL	PANEL-COMP-CONTROL	1
92145	592 73 97-46	SPRING	SPRING	1
92145A	586 52 27-01	SPRING	SPRING	1
92153	921 53 70-01	BOLT	BOLT,SOCKET,5X16	2
92153A	577 68 26-01	BOLT	BOLT,6X35	1
92153B	577 58 20-01	BOLT	BOLT,6X12	1
92170	921 70 70-01	CLAMP	CLAMP	2
92172	591 45 75-80	SCREW	SCREW,5X35	1
92172A	586 59 34-01	SCREW	SCREW	1
92172B	591 45 75-79	SCREW	SCREW,4X8	2

E0150-B256A

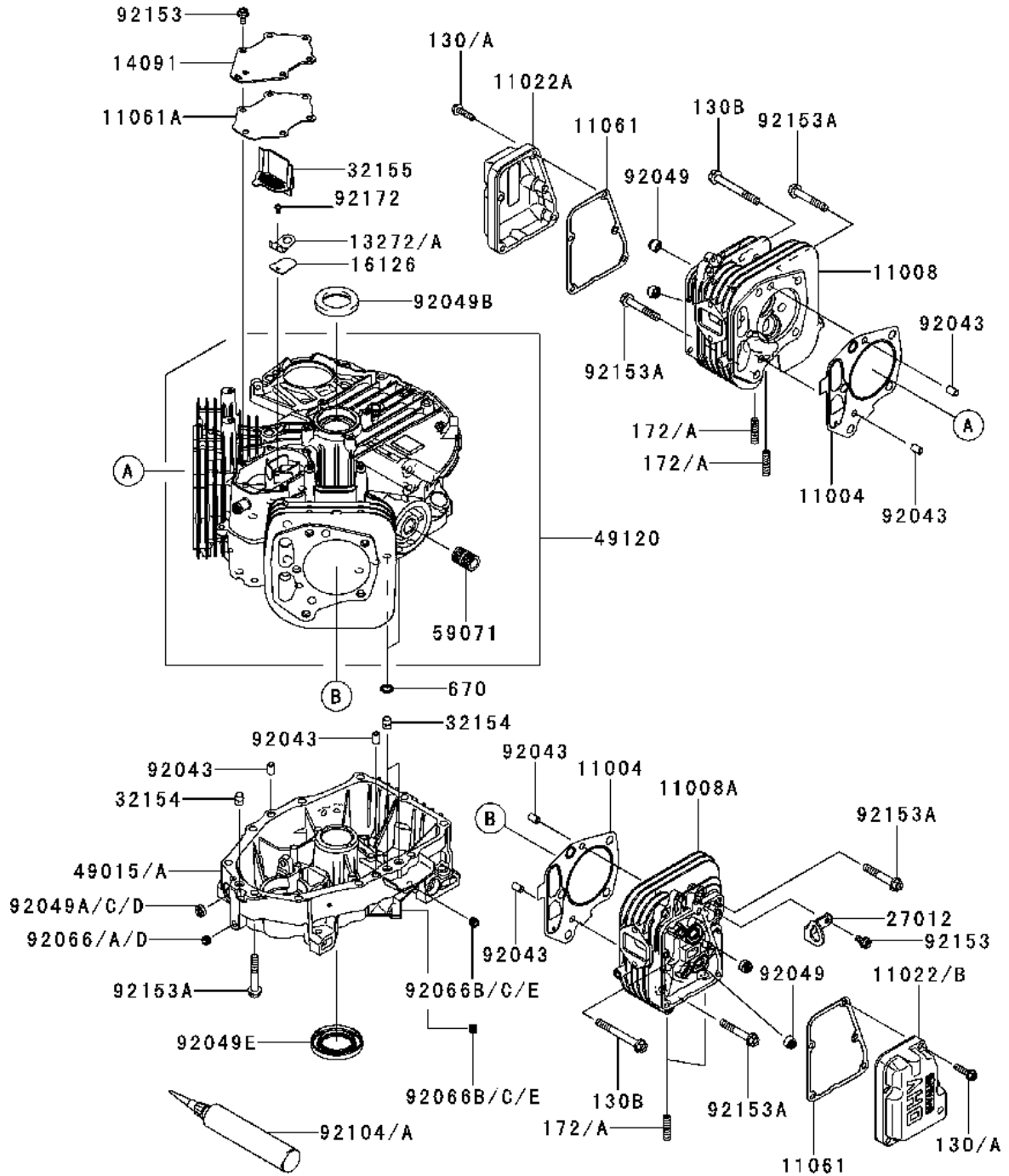


COOLING SYSTEM

KAWASAKI ENGINES, FS481V-AS55, 2017-09

Ref	Part No	Description	Remark	QTY KIT
13272	591 45 75-52	PLATE	PLATE	1
14037	586 59 35-01	SCREEN	SCREEN	1
23062	586 52 30-01	BRACKET	BRACKET-COMP	1
49089	591 45 75-99	SHROUD	SHROUD-ENGINE	1
49089A	591 45 76-01	SHROUD	SHROUD-ENGINE	1
59041	591 45 74-63	FAN	FAN	1
59066B	591 45 74-99	HOUSING	HOUSING-FAN	1
92026	586 62 28-01	SPACER	SPACER	1
92151	577 68 36-01	BOLT	BOLT,6X12	3
92153	921 53 70-07	BOLT	BOLT,RECOIL STARTER	8
92153A	577 58 20-01	BOLT	BOLT,6X12	4

E0110-A918A



CYLINDER & CRANKCASE

KAWASAKI ENGINES, FS481V-AS55, 2017-09

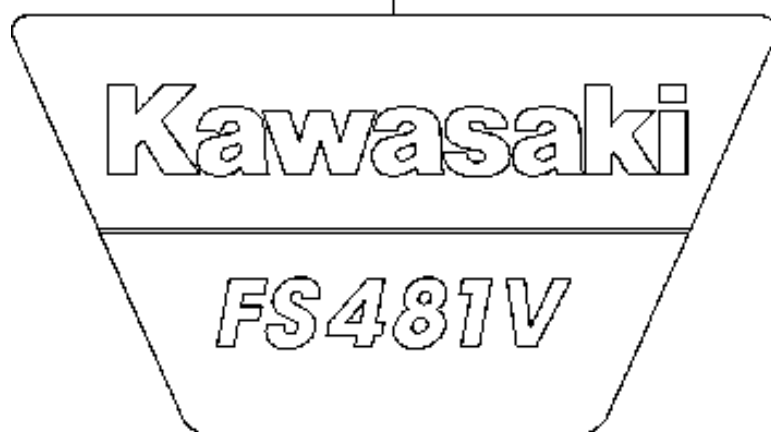
Ref	Part No	Description	Remark	QTY KIT
11004	591 45 74-83	GASKET	GASKET-HEAD	2
11008	591 45 74-90	HEAD	HEAD-COMP-CYLINDER,#1	1
11008A	591 45 74-93	HEAD	HEAD-COMP-CYLINDER,#2	1
11022	592 73 97-05	CASE	CASE-ROCKER,#2CYL	1
11022A	592 73 97-04	CASE	CASE-ROCKER,#1CYL	1
11061	586 52 36-01	GASKET	GASKET,CASE-ROCKER	2
11061A	586 52 39-01	GASKET	GASKET,BREATHER	1
130A	591 45 74-17	BOLT	BOLT-FLANGED,6X25	10
130B	591 45 74-21	BOLT	BOLT-FLANGED,8X70	6
13272A	586 59 38-01	PLATE	PLATE	1
14091	586 52 41-01	COVER	COVER,BREATHER	1
16126	577 69 28-01	VALVE	VALVE,BREATHER	1
172A	591 45 74-22	BOLT	BOLT-STUD,8X22	4
27012	591 45 74-94	HOOK	HOOK,LIFT	1
32154	591 45 75-38	PIN	PIN	3
32155	592 73 97-27	PIPE	PIPE,BREATHER	1
49015A	592 73 97-29	COVER	COVER-CRANKCASE	1
49120	592 73 97-41	CRANKCASE	CRANKCASE-COMP	1
59071	591 45 75-10	JOINT	JOINT	1
670	577 69 33-01	O-RING	O RING	2
92043	586 52 44-01	PEN	PIN,DOWEL,6.2X8X14	6
92049	920 49 70-01	SEAL-OIL	SEAL-OIL	4
92049B	920 49 70-10	SEAL-OIL	SEAL-OIL,SD 35X48X8 R	1
92049D	586 44 16-01	SEAL	SEAL-OIL,SO 8X14X5 HS	1
92049E	586 52 45-01	SEAL	SEAL-OIL,38X62X8MTCLV	1
92066A	591 45 75-53	PLUG	PLUG	1
92066C	586 62 16-01	PLUG	PLUG	2
92104	586 59 40-01	GASKET	GASKET-LIQUID,TB1217H	
92153	577 58 20-01	BOLT	BOLT,6X12	7
92153A	586 52 47-01	BOLT	BOLT,8X50	14
92172	591 45 75-79	SCREW	SCREW,4X8	1

F0290-B854B

56071/A



56080

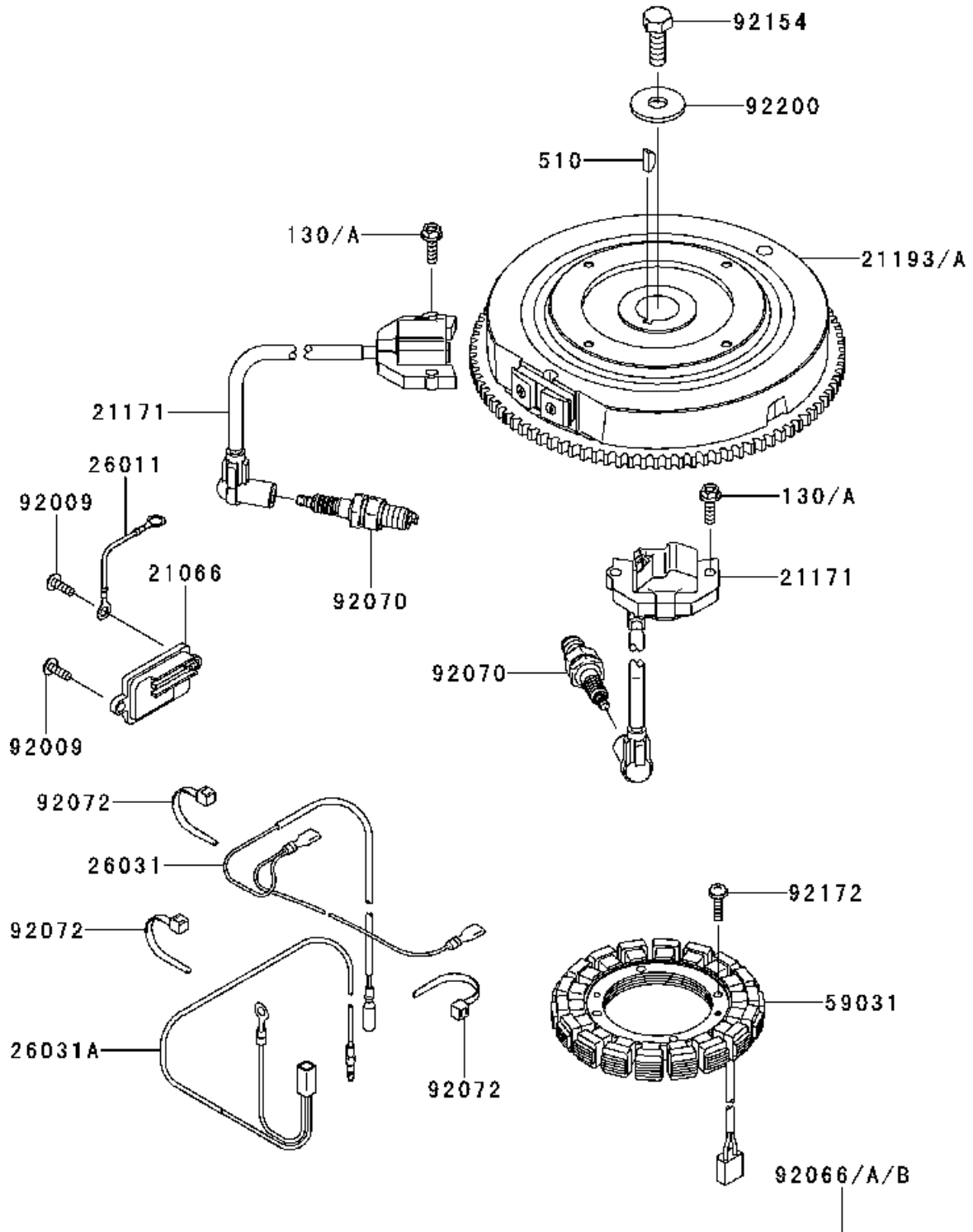


DECALS

KAWASAKI ENGINES, FS481V-AS55, 2017-09

Ref	Part No	Description	Remark	QTY KIT
56071A	591 45 75-18	LABEL	LABEL-WARNING	1
56080	591 45 75-13	LABEL	LABEL-BRAND	1

E0160-B795A

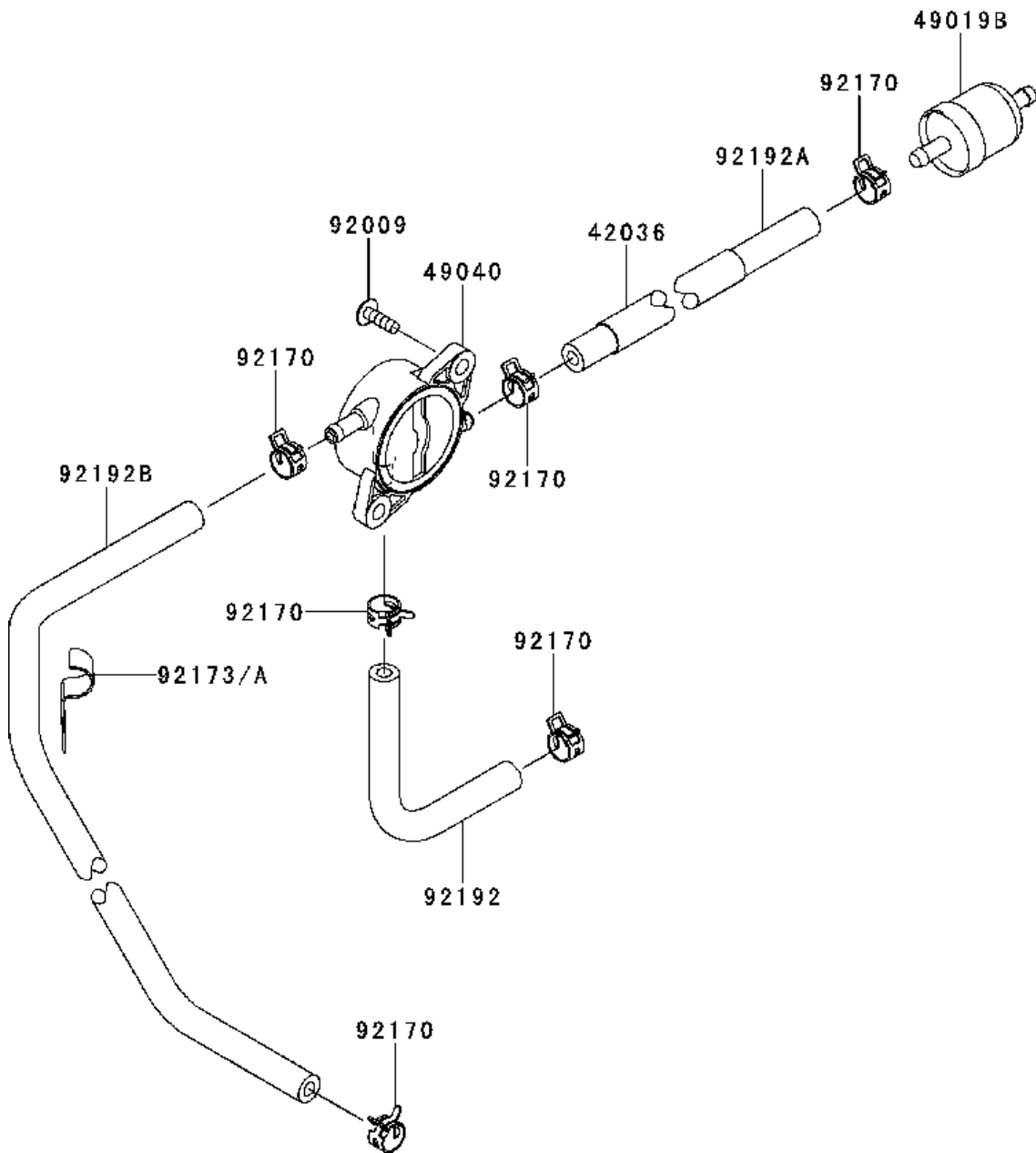


ELECTRICAL

KAWASAKI ENGINES, FS481V-AS55, 2017-09

Ref	Part No	Description	Remark	QTY KIT
130A	591 45 74-16	BOLT	BOLT-FLANGED,6X20	4
21066	586 59 41-01	REGULATOR	REGULATOR-VOLTAGE	1
21171	592 73 97-52	STARTER	KIT,STARTER-ELECTRIC	2
21193	591 45 74-67	FLYWHEEL	FLYWHEEL-ASSY	1
26011	586 62 32-01	WIRE	WIRE-LEAD,L=95	1
26031	586 52 52-01	HARNESS	HARNESS	1
26031A	591 45 74-88	HARNESS	HARNESS	1
510	502 81 16-01	WOODRUFF KEY	WOODRUFF KEY	1
59031	577 57 02-01	COIL	COIL-CHARGING 15AMP	1
92009	586 52 54-01	SCREW	SCREW	2
92066A	586 62 16-01	PLUG	PLUG	1
92070	578 18 15-01	SPARK PLUG	PLUG- SPARK,BPR4ES(NGK)	2
92072	577 57 04-01	BAND	BAND	3
92154	577 57 05-01	BOLT	BOLT,12X30	1
92172	577 57 06-01	SCREW	SCREW,5X20	4
92200	922 00 70-02	WASHER	WASHER	1

E0200-A863B

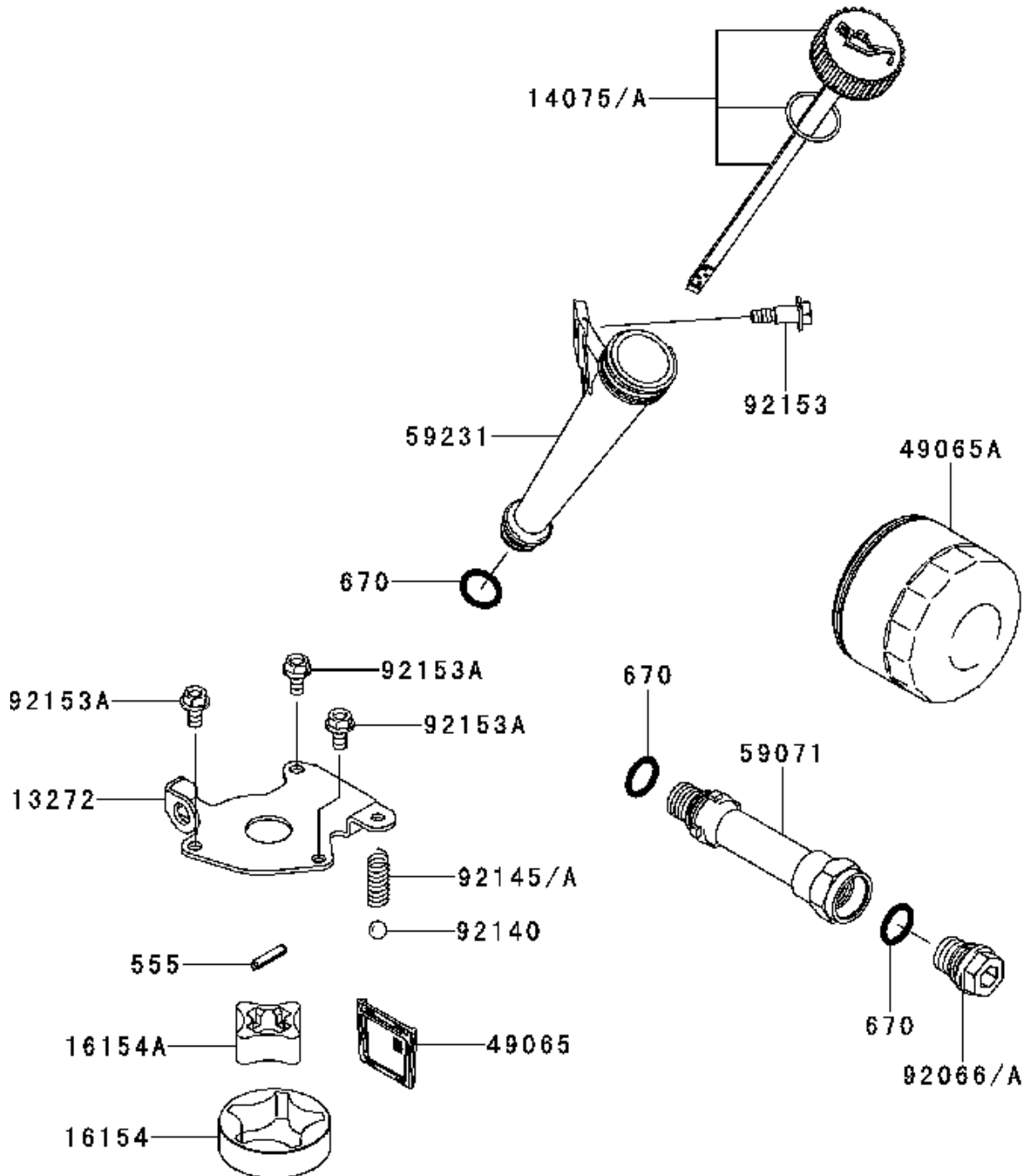


FUEL VALVE

KAWASAKI ENGINES, FS481V-AS55, 2017-09

Ref	Part No	Description	Remark	QTY KIT
42036	586 52 56-01	SLEEVE	SLEEVE	1
49019B	582 54 12-01	FUEL FILTER	FILTER-FUEL	1
49040	586 52 57-01	PUMP	PUMP-FUEL	1
92009	586 52 54-01	SCREW	SCREW	2
92170	577 58 21-01	CLAMP	CLAMP	6
92173A	586 63 11-01	CLAMP	CLAMP	1
92192	586 52 60-01	TUBE	TUBE,6.4X12.7X150	1
92192A	591 45 76-20	TUBE	TUBE,6.35X12.7X185	1
92192B	592 73 97-49	TUBE	TUBE,6.35X12.7X375	1

E0140-A580A

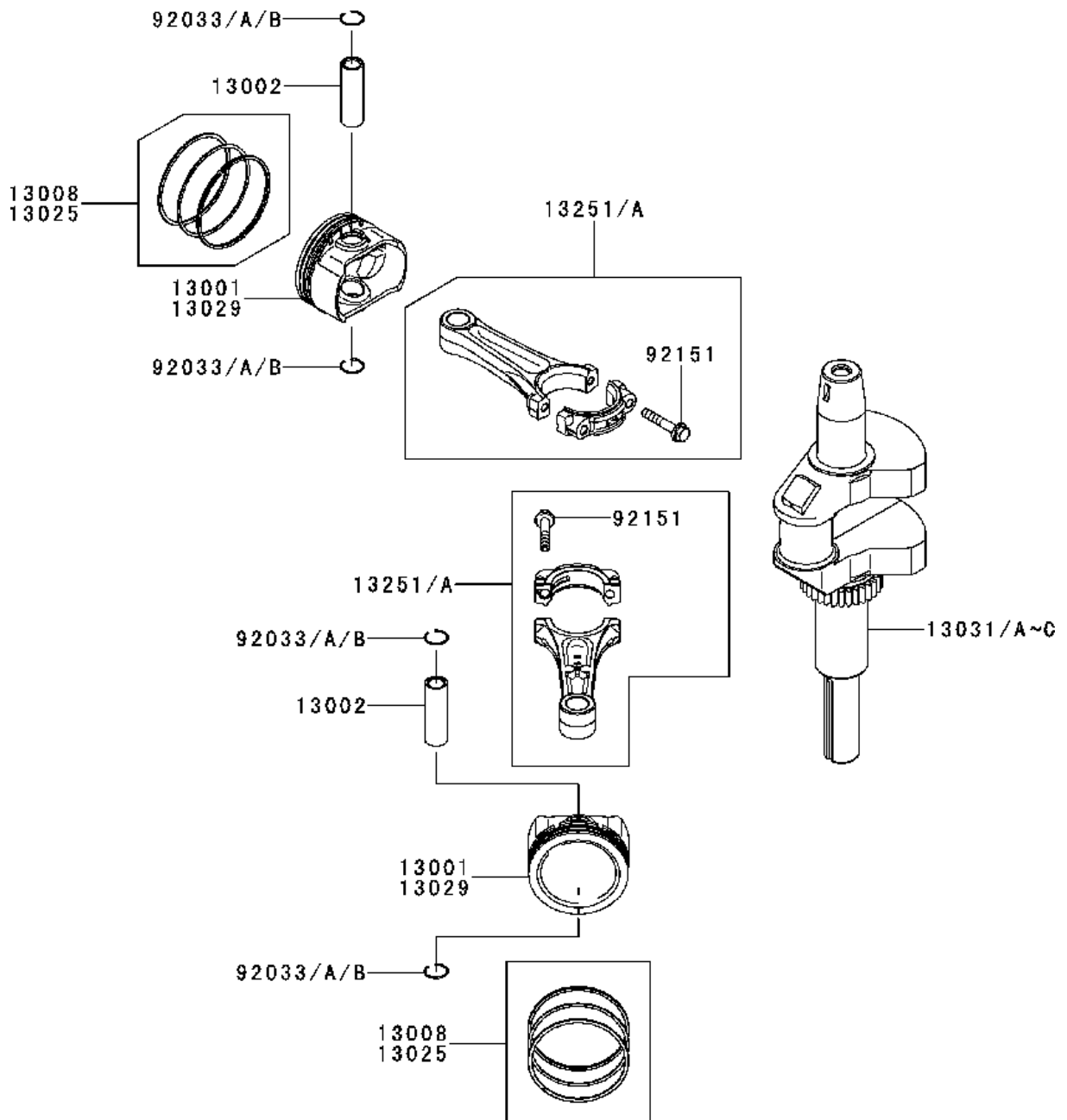


LUBRICATION

KAWASAKI ENGINES, FS481V-AS55, 2017-09

Ref	Part No	Description	Remark	QTY KIT
13272	586 52 63-01	PLATE	PLATE,ROTOR	1
14075	591 45 74-29	CAP	CAP-ASSY	1
16154	586 52 65-01	ROTOR	ROTOR-PUMP,OUTER	1
16154A	586 52 66-01	ROTOR	ROTOR-PUMP,INNER	1
49065	585 43 20-01	OIL SCREEN	FILTER-OIL	1
49065A	578 15 92-01	OIL FILTER	FILTER-OIL	1
555	586 59 45-01	PEN	PIN-SPRING,4X20	1
59071	575 92 77-01	JOINT	JOINT	1
59231	586 55 07-01	TUBE	FILLER	1
670	502 82 90-01	O-RING	O RING	3
92066	591 45 75-54	PLUG	PLUG	1
92140	921 40 70-03	BALL	BALL	1
92145	591 45 76-12	SPRING	SPRING	1
92153	921 53 70-08	BOLT	BOLT	1
92153A	577 58 20-01	BOLT	BOLT,6X12	3

E0120-A532A

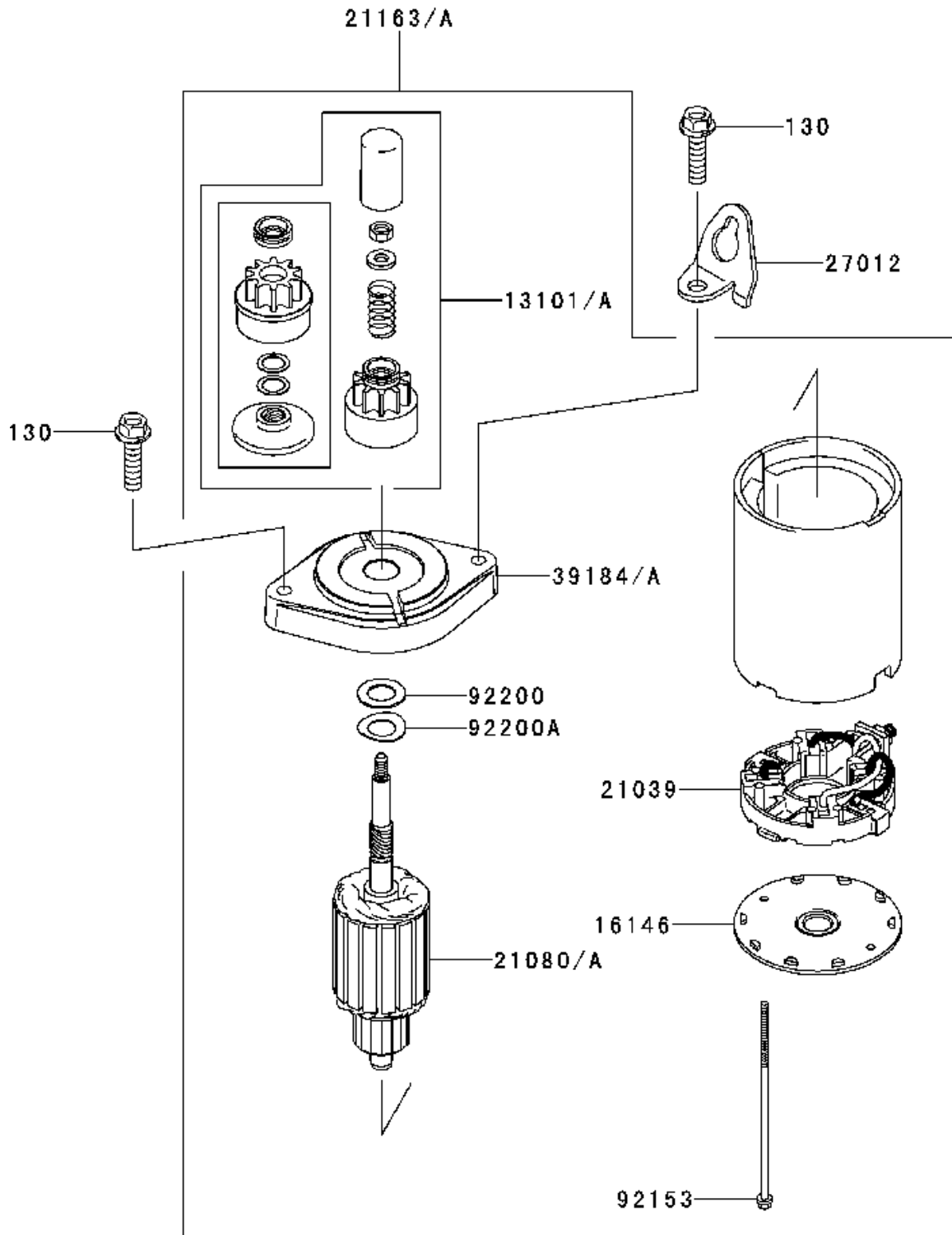


PISTON & CRANKSHAFT

KAWASAKI ENGINES, FS481V-AS55, 2017-09

Ref	Part No	Description	Remark	QTY KIT
13001	591 45 75-46	PISTON	PISTON-ENGINE	2
13002	130 02 70-01	PIN-PISTON	PIN-PISTON	2
13008	591 45 75-61	RING	RING-SET-PISTON	2
13025	591 45 75-63	RING	RING-SET-PISTON L,0.5	
13029	591 45 75-48	PISTON	PISTON-ENGINE L,0.50	
13031B	591 45 74-59	CRANKSHAFT	CRANKSHAFT-COMP	1
13251	591 45 75-71	ROD	ROD-ASSY-CONNECTING	2
92033A	591 45 75-66	RING	RING-SNAP	4
92151	586 52 78-01	BOLT	BOLT,6X35	4

E0210-A714A

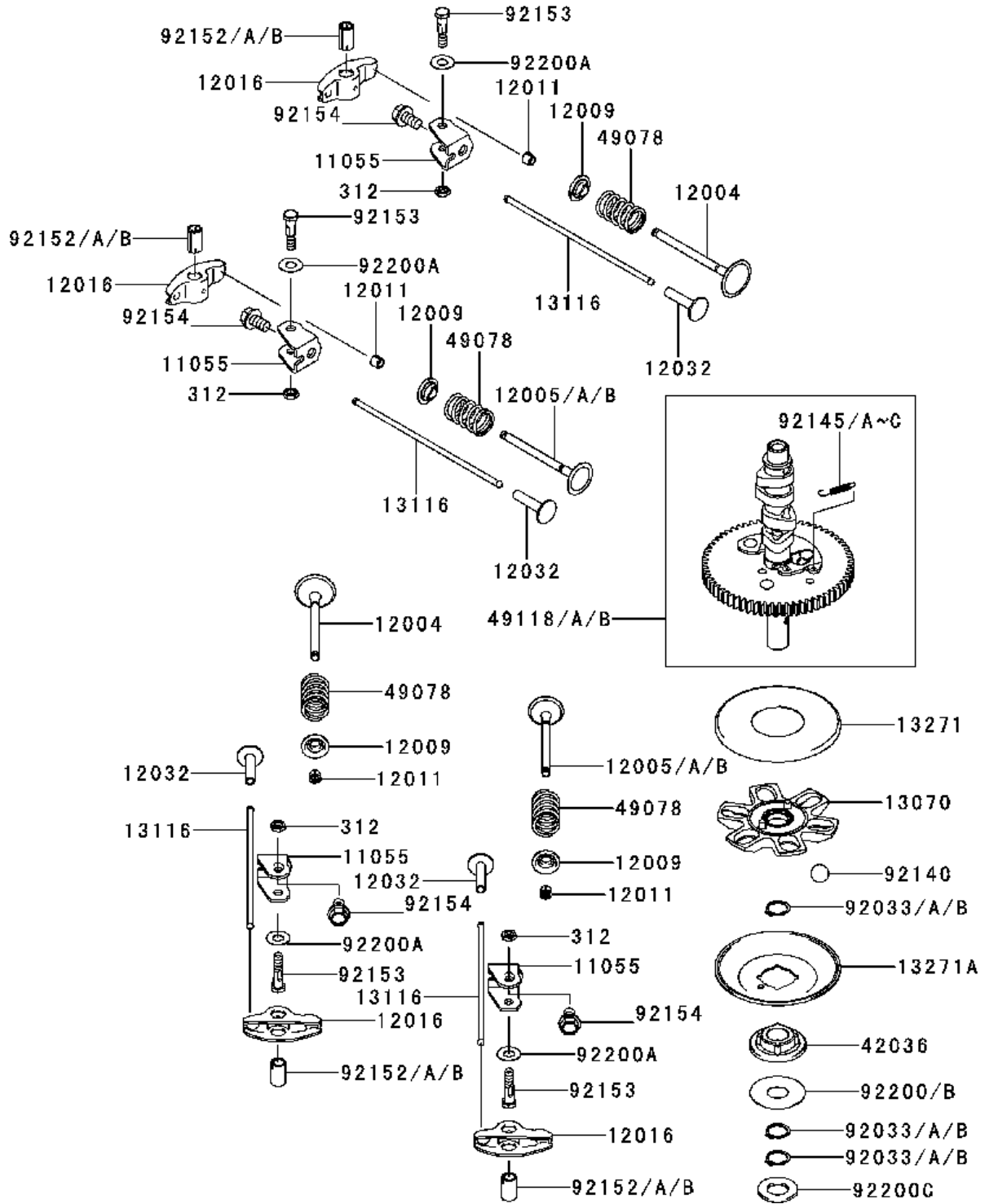


STARTER

KAWASAKI ENGINES, FS481V-AS55, 2017-09

Ref	Part No	Description	Remark	QTY KIT
130	591 45 74-20	BOLT	BOLT-FLANGED,8X30	2
13101A	586 63 12-01	GEAR	GEAR-ASSY	1
16146	586 63 13-01	COVER	COVER-ASSY	1
21039	210 39 70-02	BRUSH	BRUSH	1
21080	586 63 14-01	ARMATURE	ARMATURE	1
21163	588 07 33-01	STARTER	STARTER-ELECTRIC	1
27012	577 56 12-01	HOOK	HOOK	1
39184A	591 45 74-24	BRACKET	BRACKET-ASSY	1
92153	586 63 16-01	BOLT	BOLT	2
92200	586 63 17-01	WASHER	WASHER	1
92200A	586 63 18-01	WASHER	WASHER	1

E0130-A182W



VALVE & CAMSHAFT

KAWASAKI ENGINES, FS481V-AS55, 2017-09

Ref	Part No	Description	Remark	QTY KIT
11055	577 69 72-01	BRACKET	BRACKET	4
12004	592 73 97-09	VALVE	VALVE-INTAKE	2
12005A	592 73 97-11	VALVE	VALVE-EXHAUST	2
12009	120 09 70-01	RETAINER	RETAINER-VALVE SPRING	4
12011	120 11 20-56	COLLET	COLLET	8
12016	591 45 74-05	ARM	ARM-ROCKER	4
12032	120 32 70-01	TAPPET	TAPPET	4
13070	586 52 83-01	GUIDE	GUIDE,GOVERNOR	1
13116	591 45 75-77	ROD	ROD-PUSH	4
13271	132 71 70-07	PLATE	PLATE	1
13271A	132 71 70-21	PLATE	PLATE	1
312	577 69 81-01	NUT	NUT-HEX	4
42036	586 52 85-01	SLEEVE	SLEEVE	1
49078	490 78 70-02	SPRING	SPRING-ENGINE VALVE	4
49118A	591 45 74-25	CAMSHAFT	CAMSHAFT-COMP	1
92033A	586 62 17-01	RING	RING-SNAP	3
92140	577 56 68-01	BALL	BALL	6
92145A	591 45 76-11	SPRING	SPRING	1
92152A	586 55 13-01	COLLAR	COLLAR	4
92153	577 69 87-01	BOLT	BOLT,6X29.5	4
92154	591 45 74-13	BOLT	BOLT	4
92200	586 55 15-01	WASHER	WASHER,16X42X0.91	1
92200A	577 69 88-01	WASHER	WASHER,8.1X18X0.5	4
92200C	586 52 87-01	WASHER	WASHER,16.3X30X2.28	1