

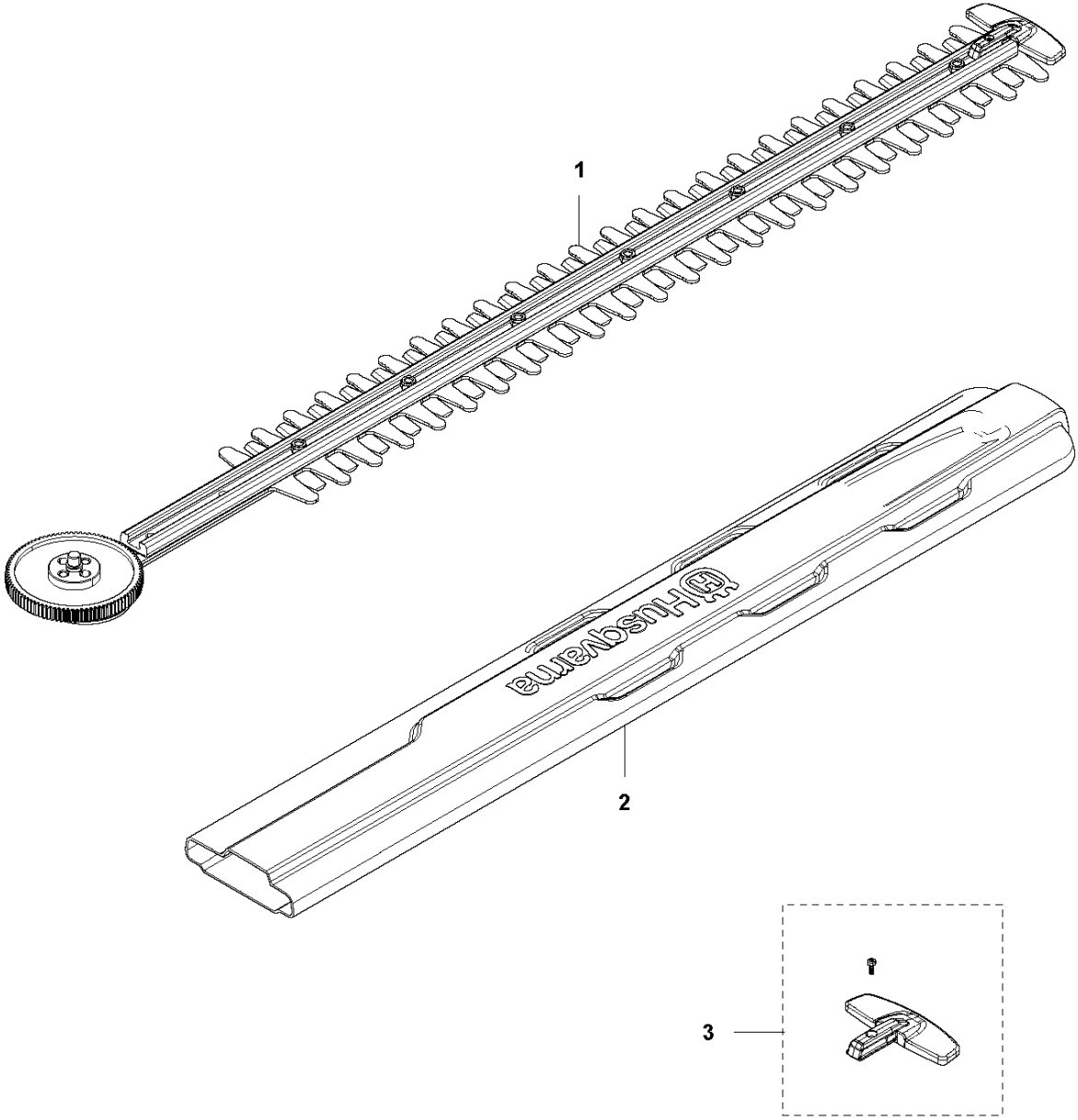


# SPARE PARTS LIST

HEDGE TRIMMERS/POLE HEDGE  
TRIMMERS

115 iHD55, 967098601, 2017-02

**A** 115iHD55  
CUTTING EQUIPMENT

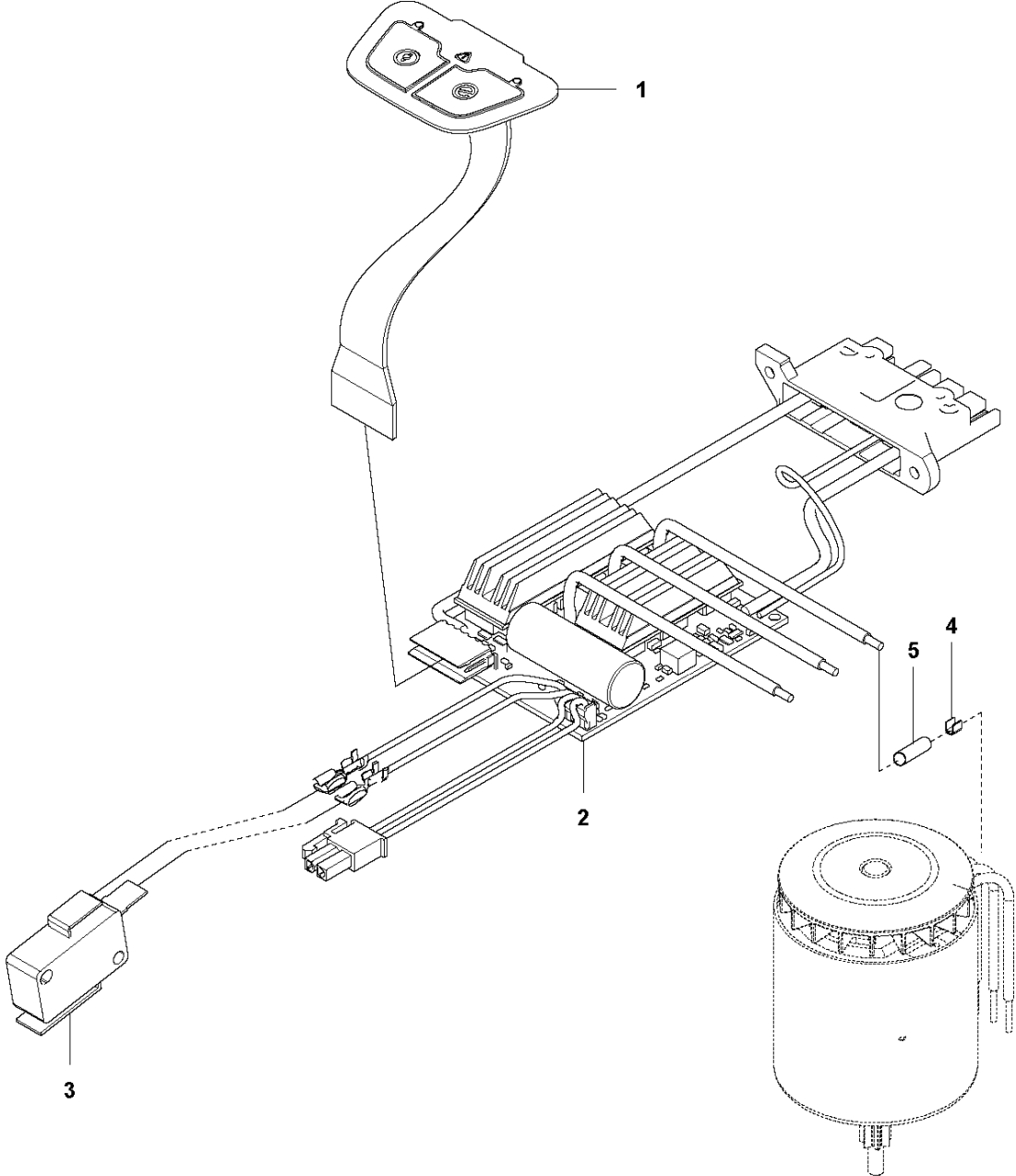


CUTTING EQUIPMENT

115 iHD55, 967098601, 2017-02

Ref	Part No	Description	Remark	QTY KIT
1	582 56 91-01	DRIVER ASSY		1
2	582 49 29-01	BLADE		1
3	588 76 01-01	BLADE		1

**E** 115iHD55  
ELECTRICAL

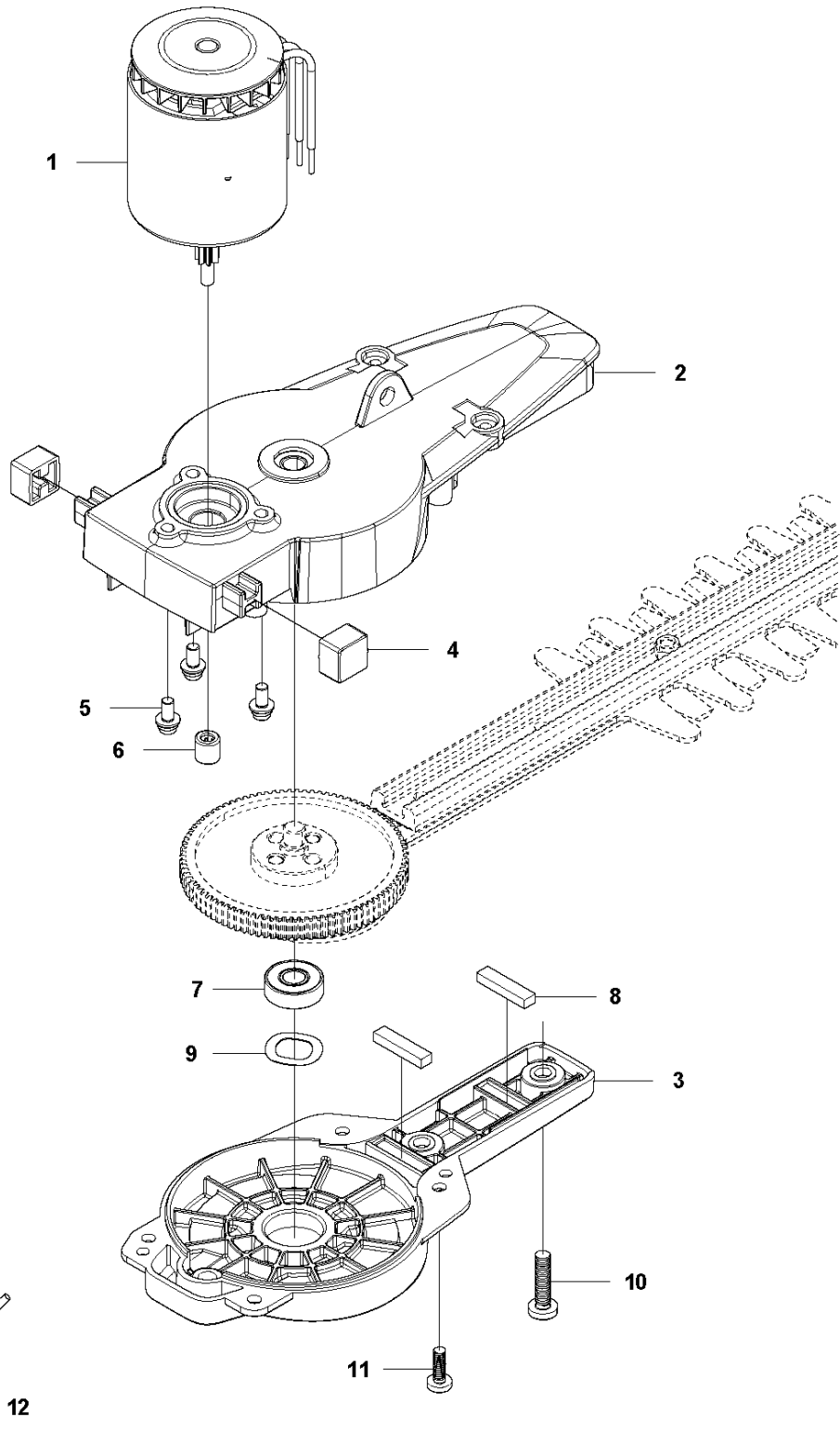


ELECTRICAL

115 iHD55, 967098601, 2017-02

Ref	Part No	Description	Remark	QTY KIT
1	582 54 16-01	KEYPAD		1
2	582 40 59-07	CONTROL UNIT		1
3	585 59 06-01	MICRO SWITCH		1
4	588 25 97-01	TERMINAL		3
5	588 25 98-01	SLEEVE		3

**B** 115iHD55  
GEARS

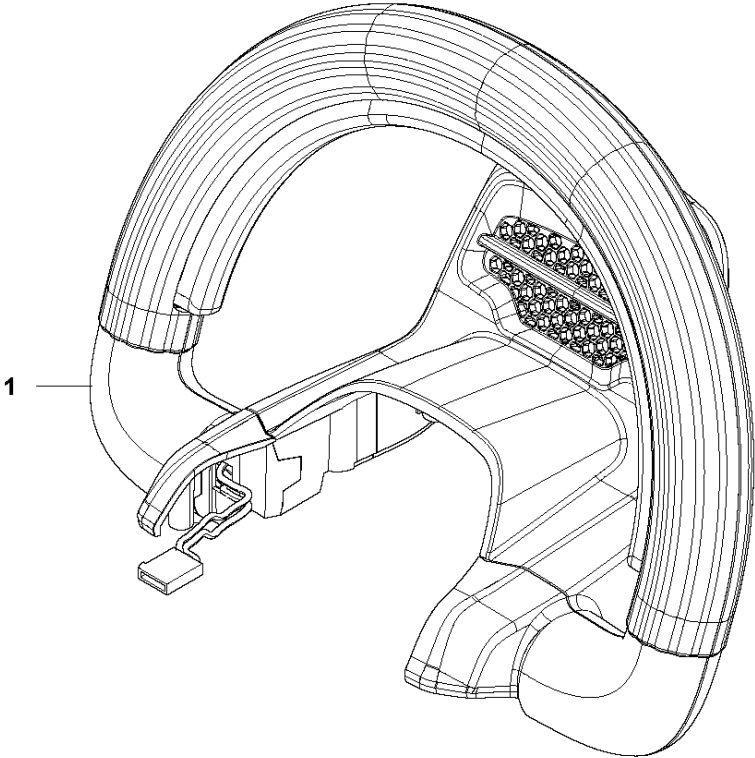


## GEARS

115 iHD55, 967098601, 2017-02

Ref	Part No	Description	Remark	QTY KIT
1	589 60 59-01	MOTOR		1
2	589 76 67-01	GEAR		1
3	582 49 26-01	COVER		1
4	585 81 88-01	SLEEVE		2
5	585 94 44-01	SCREW		3
6	585 62 83-01	NEEDLE BEARING		1
7	585 63 58-01	BALL BEARING		1
8	585 62 82-01	PAD		2
9	588 26 77-01	GEARBOX		1
10	585 81 86-01	SCREW		2
11	585 81 87-01	SCREW		4
12	589 38 29-01	GREASE	3,5g	1

**C** 115iHD55  
HANDLE



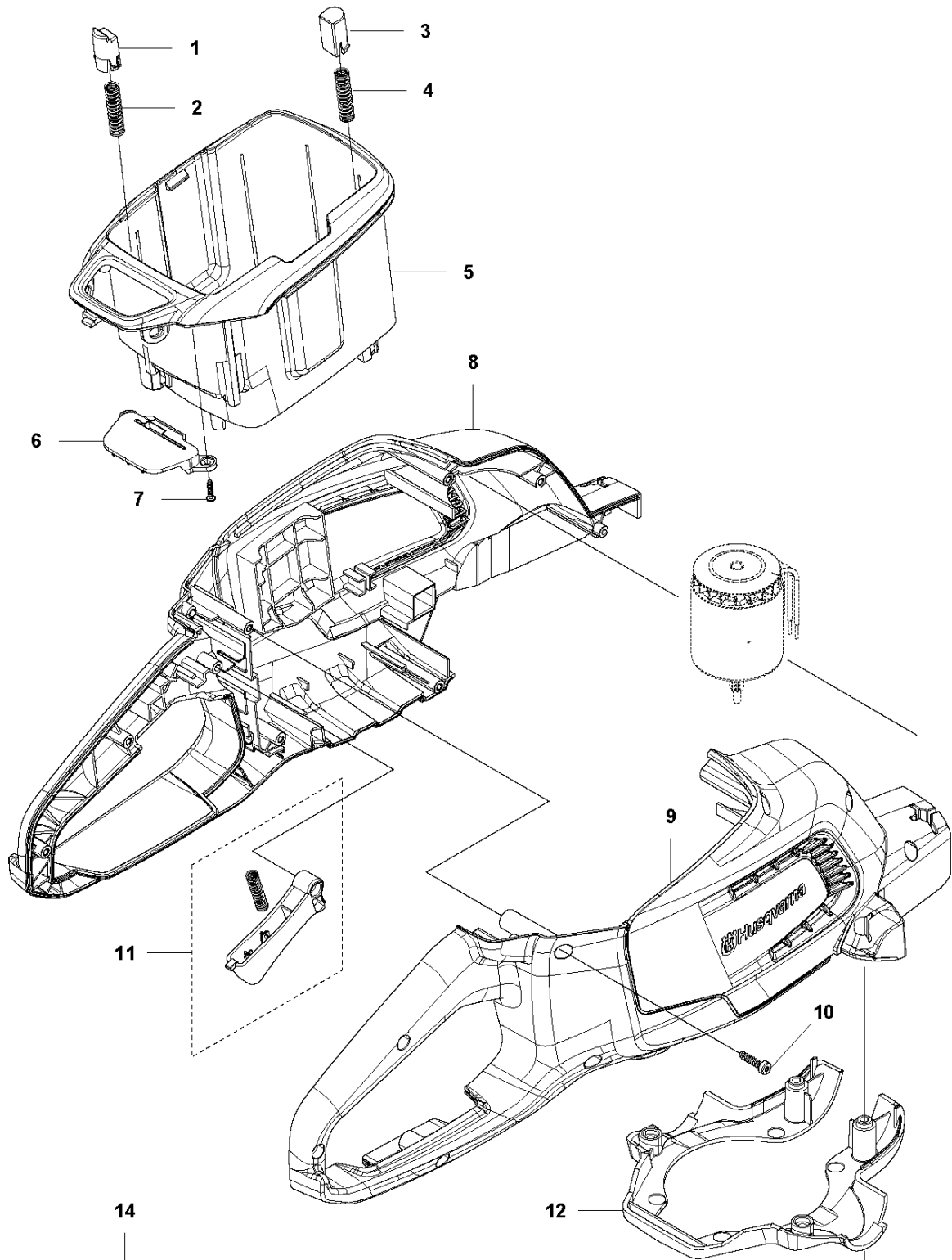


HANDLE

115 iHD55, 967098601, 2017-02

Ref	Part No	Description	Remark	QTY KIT
1	588 76 04-01	HANDLE		1

**D** 115iHD55  
HOUSING



**Husqvarna** 40V max  
36V nom

Model: | 115iHD55  
Platform: | HT100UL

PNC No. \_\_\_\_\_  
Serial No. \_\_\_\_\_

HUSQVARNAS AB, SE-461 82 HUSKVARNA, SWEDEN

**!** **!** **!** **!** **!** **!**

**DANGER**  
KEEP HANDS AWAY FROM BLADE

**DANGER**  
MAINTENEZ LES MAINS À DISTANCE  
DE LA LAME

**PELIGRO**  
MANTENGA LAS MANOS ALEJADAS  
DE LA HOJA

562678202

13

15

## HOUSING

115 iHD55, 967098601, 2017-02

Ref	Part No	Description	Remark	QTY KIT
1	577 99 66-01	PUSH BUTTON		1
2	585 63 62-01	SPRING		1
3	585 63 60-01	PUSH BUTTON		1
4	585 63 66-01	SPRING		1
5	585 63 49-01	BATTERY BOX		1
6	585 63 50-01	BRACKET		1
7	585 81 89-01	SCREW		4
8	588 14 58-02	HOUSING		1
9	588 14 57-01	HOUSING		1
10	585 81 90-02	SCREW		9
11	588 76 05-01	TRIGGER		1
12	585 63 39-01	COVER		1
13	585 81 90-02	SCREW		4
14	582 67 81-03	DECAL		1
15	582 67 82-02	DECAL		1